

<http://www.jindanhyd.com>



JINSAN HYDRAULIC

Hydraulic Equipment & Tools

Ultra-high pressure 700~2,000Kg/cm²



Greeting | 인사말



저희 진산유압은 정보화 시대에 발맞추어 21세기 신기술 개발과 혁신적 도약을 향해 끊임없이 노력하여 오랜기간동안 습득해온 풍부한 실무경력을 토대로 축적 되어온 고도의 기술로 우수한 제품개발의 원동력이 되어 고객 여러분에게 깊은 신뢰감을 형성하고 있습니다.

Vision | 비전

- 첫째. 수익증시와 내실경영을 추진하고자 합니다.**
기업의 가치인 수익성 향상을 위해 효율을 제고하고 비용을 절감하는 탄탄한 수익기반을 구축해 나갈 것 입니다.
- 둘째. 미래지향 경영을 추진해 나가겠습니다.**
회사의 미래성장기반을 강화하고자 유압 선진기술 도입 및 혁신 경영을 통하여 해외시장기반을 조성 경영역량을 잡겠습니다.
- 셋째. 열린경영을 실천하고 상생의 노사문화를 정착시켜 투명하고 활기찬 기업문화를 만들어가고 공정한 인사풍토를 정착시키고자 합니다.**
노와 사가 이익분배보다 생산분배를 토착화 시켜 상호존중하고 신뢰하는 상생의 노사문화를 만들어 가는데 최선을 다하는 기업으로 만들겠습니다.

Contents

PUMPS

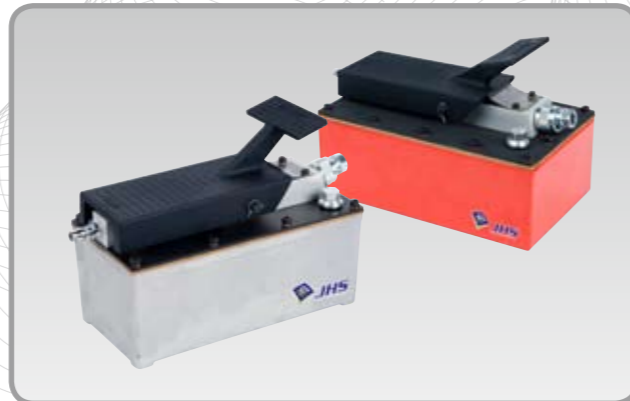
Hydraulic Hand Pumps	5~7
Air Hydraulic Pumps	8
Electric Hydraulic Pumps	9

CYLINDERS / TOOLS

Hydraulic Angle Punch	10
Single-acting	11
Double-acting	12
Aluminum	13
Shorty	14
Low Profile	15
Single-Acting Center Hokers	16
Hydraulic Aluminum Pulling Jacks	17
Lock Nut	18
Hydraulic Angle Cutters / Hydraulic Grip Pullers	19
Hydraulic bolt-tensioners	20
Hydraulic Pipe Benders	21
Oil-Jacks	22
Pump parts list	23~25
Model jhp-3b pump parts list	26

MAJOR PRODUCTS

JINSAN HYDRAULIC



HYDRAULIC HAND PUMPS

Jinsan JHP-series hand-operated hydraulic pump

JHP계열의 펌프는 램의 전진과 후진을 가장 빨리 작동시키고 2중의 압력과 유량을 공급하므로 자동 2중 속력으로 조작의 특색을 가지고 있습니다. 고압, 저압, 안전 밸브는 내부에 장치되어있고 저압안전밸브는 저압다유량 공급을 위하여 제작되어 있습니다. 일정 압력에 도달하면 펌프는 자동적으로 고압펌프로 바뀌어 압력을 700~1,500kg/cm²까지 끌어올립니다.

JHP-series actuate advance and retract of a ram very fastly and have the characteristic with the operation of automatic 2-speed to supply double ressure and oil volume. The high and low pressure safety valve has been equipped inside the pump. The low pressure safety valve is manufactured adjustably to supply sufficient volume at the low pressure 20kg/cm²~30kg/cm² if reach to this pressure. A pump will automatically be converted into the high pressure pump, and ligts the pressure up to 700~1,500kg/cm²

JHP-1BAL, HAND-OPERATED PUMPS



JHP-1BAL
700kg/cm²

일선 산업 분야에서 널리 쓰이는 가장 인기있는 펌프중의 하나로써 이 자동 2중펌프는 램플런저의 빠른 전,후진을 위하여 많은 양의 오일을 공급하는 특색이 있습니다.

- One of the most popular pumps used in the common industrial field.
- This automatic double pump has the performance to supply the large oil for the advance and retract of ram plunger

JHP-1B, HANDOPERATED PUMPS

일선 산업 분야에서 널리 쓰이는 가장 인기있는 펌프중의 하나로써 이 자동 2중펌프는 램플런저의 빠른 전,후진을 위하여 많은 양의 오일을 공급하는 특색이 있습니다.

- One of the most popular pumps used in the common industrial field.
- This automatic double pump has the performance to supply the large oil for the advance and retract of ram plunger



JHP-1B
700kg/cm²~1500kg/cm²

JHP-2A, HAND-OPERATED PUMPS



JHP-2A
700kg/cm²~1500kg/cm²

JHP-1A 수동펌프와 같은 형태와 구조로 되어 있지만 저유탱크가 큼니다. 2000CC의 저유탱크 용량은 50TON까지의 단동램에도 사용할 수 있습니다.

- The same stucture and function as JHP-1B Bigger than storage tank of JHP-1B
- Has 2000cc ample reservior usable up to 50ton of any single acting ram

HYDRAULIC HAND PUMPS

JHP-2B, HAND-OPERATED PUMPS



JHP-2B
700kg/cm²

램플런저가 더 빠릴 움직여야 하고 많은 오일량이 필요로 하는 곳에 사용됩니다.
자동 2중속력의 펌프는 4way밸브를 사용하여 50ton까지의 단동램과 복동램에 사용할 수 있습니다.

- Used in a place where JHP-2B is required to move ram plunger more rapid and supply sufficient volume of oil.
- Automatic 2-speed pump with 4way valve has been applied for 50ton single acting and double acting ram.

JHP-3A, HANDOPERATED PUMPS

램플런저가 더 빨리 움직여야 하고 많은 오일량이 필요로 하는 곳에 사용됩니다.
자동 2중 속력의 펌프는 4Way 밸브를 사용하여 100ton까지의 단동램과 복동램에 사용할 수 있습니다.

- Used in a place where JHP-2B is required to move ram plunger more rapid and supply sufficient volume of oil.
- Automatic 2-speed pump with 4way valve has been applied for 100ton single acting and double acting ram.



JHP-3A
700kg/cm²

JHP-3B, HAND-OPERATED PUMPS



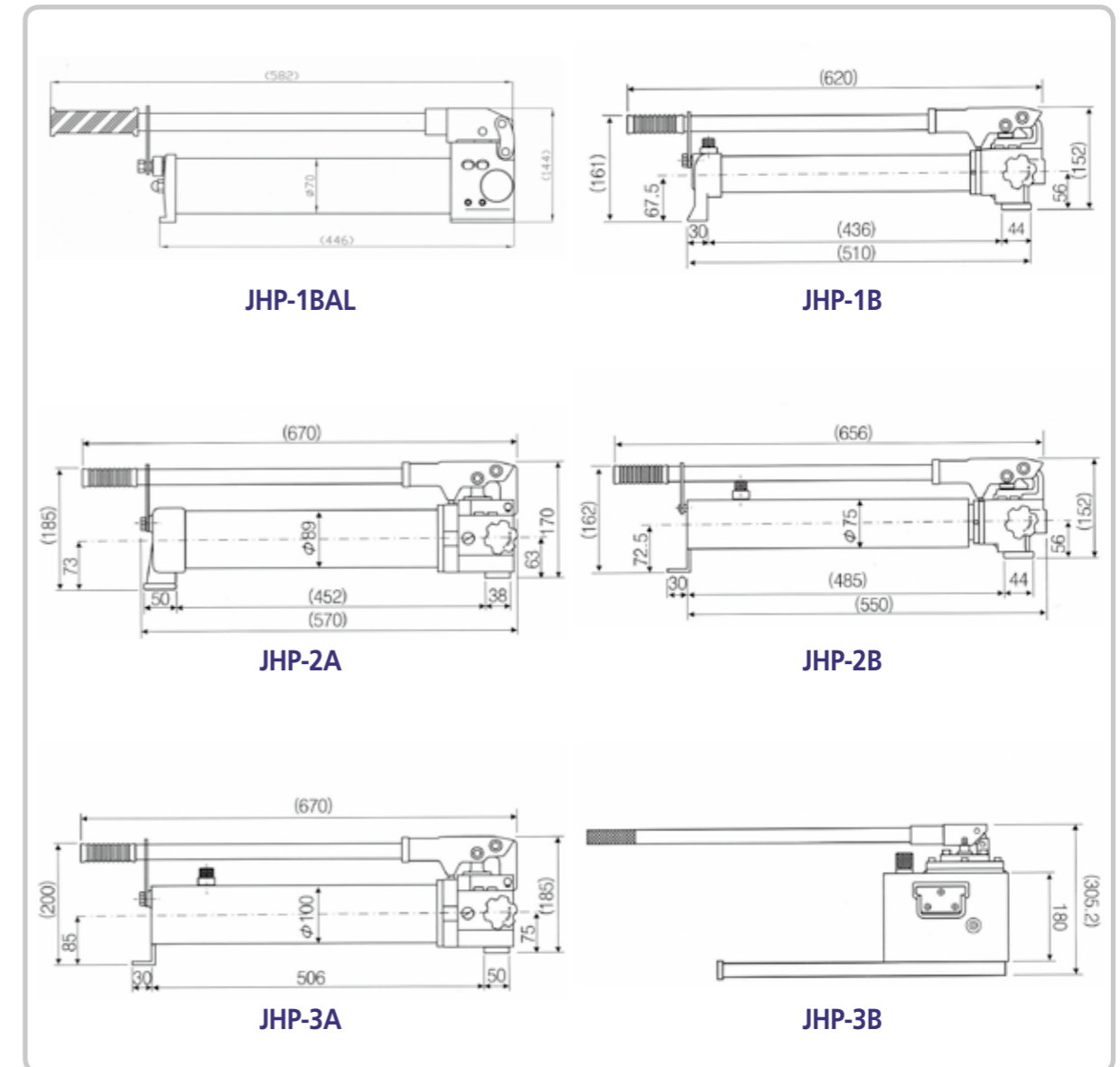
JHP-3B
700kg/cm²

오일의 용량이 많고 최고의 램플런저 속도가 요구될 때 큰 용량의 단동램과 함께 사용할 수 있도록 제작되어 있습니다.
자동 2중속력의 조작이고 4-way밸브가 장치되어 있어 300ton이상의 복동램에도 사용됩니다.

- When sufficient volume of oil and the highest speed of ram plunger is required, it is manufactured to use together with the large capacity of single acting ram.
- Has automatic 2-speed function.
- As it is mounted with 4-way valve, usable for 300ton more double acting ram.

Specification

MODEL	RESERVOIR CAPACITY (CC)	PRESSURE RATE (Kg/cm ²)		VOLUME OER STROCK (CC)		WEIGHT (Kg)
		HIGH PRESSURE	LOW PRESSURE	LOW PRESSURE	HIGH PRESSURE	
JHP-1BAL	1000	700	20	13	2.3	4.7
JHP-1B	800	700	20	13	2.3	6
JHP-2A	2000	700	20	13	2.3	7.3
JHP-2B	2300	700	20	31	2.3	10.5
JHP-3A	3000	700	20	31	2.3	13.5
JHP-3B	10000	700	20	90	7	50



HAND PUMP

- Maximum Pressure : 700kgf/cm²
- Oil Capacity : To use 30% more than cyline oil

HYDRAULIC HOSE

- Maximum Pressure : 700kgf/cm²
- Shorter length recommended
- Standad length is 1.8m



HYDRAULIC OIL

- Oil density :
- Warm Area : #10
- Cold Area : #30

PRESSURE GAUGE

- Size : Face Dia 64mm & 100mm



AIR HYDRAULIC PUMP



JS-AHP 1.5L

JS-AHP 2.5L

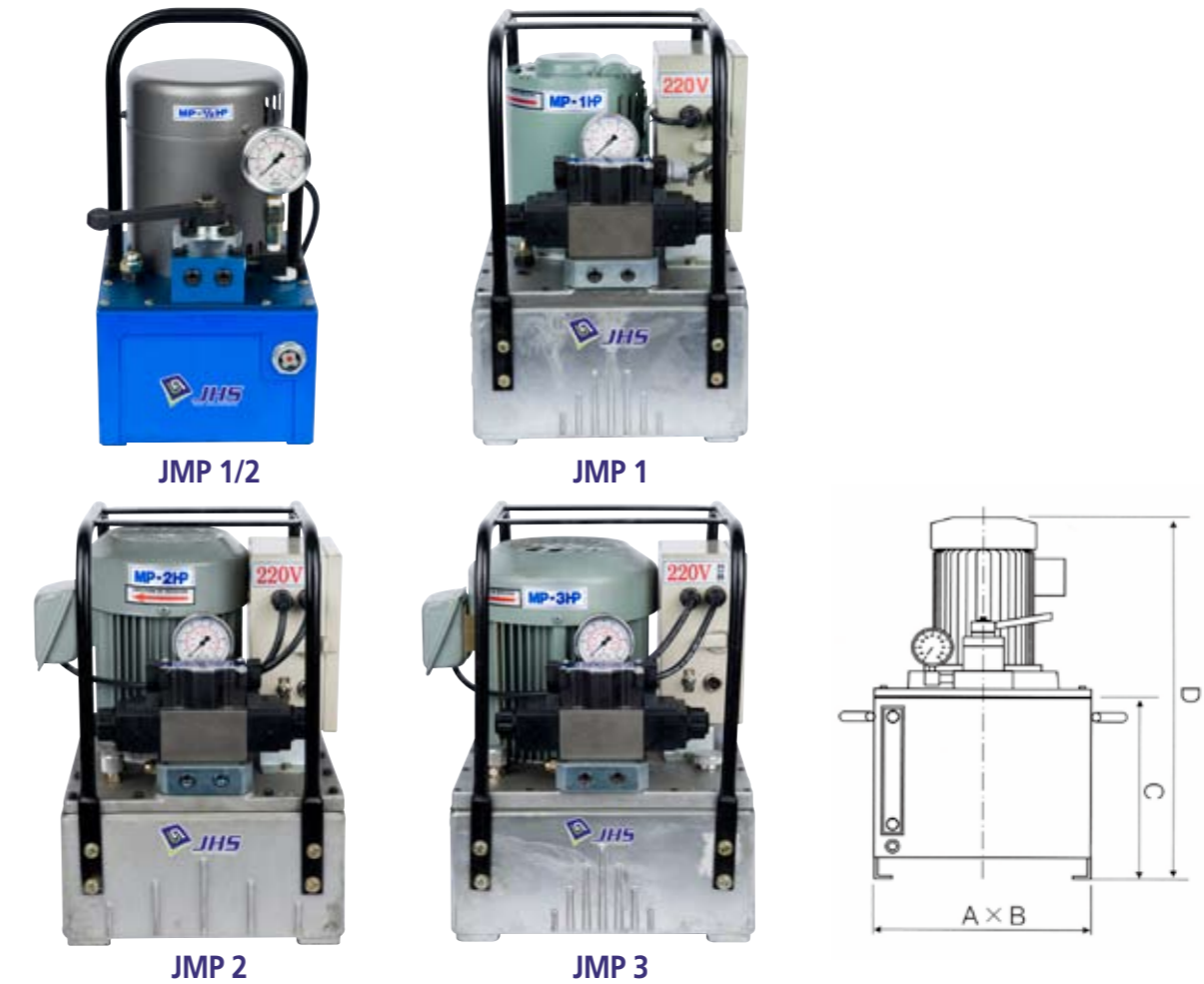
에어 7kg/cm²로 작동하여 유압 700kg/cm²로 사용할 수 있음.
에어유압펌프는 단동 또는 복동램으로 편리하게 사용할 수 있는 펌프입니다.

- Can use by oil pressure 700kg/cm² operating by air 7kg/cm².
- Air oil pump is a pump that can use conveniently by single-acting or double-acting RAM.

Specification

MODEL	RESERVOIR CAPACITY (CC)	PRESSURE RATE (Kg/cm ²)		OUTPUT RATE (L/min)		WEIGHT (Kg)
		HIGH PRESSURE	LOW PRESSURE	LOW PRESSURE	HIGH PRESSURE	
JS-AHP1.5L	1500	700	20	2.2	0.9	7.3
JS-AHP2.5L	2500	700	20	2.2	0.9	9.5
JS-AHP3.5L	3500	700	20	2.2	0.9	12.5

ELECTRIC HYDRAULIC MOTOR PUMPS



JMP 1/2

JMP 1

JMP 2

JMP 3

Model	Dimension	A X B	C	D	Model	Dimension	A X B	C	D
JMP 1/3		155 X 270	180	450	JMP 2		300 X 300	180	450
JMP 1/2		190 X 210	190	450	JMP 3		350 X 350	190	450
JMP 1		300 X 350	190	500	JMP 5		350 X 350	190	500

• For use of both single and double acting cylinder

Specification

Model	Pressure Rating (kgf/cm ²)		Output Flow Rate (l/min)		Voltage (V)	Electric Motor			Reservoir Capacity (liter)	Weight (kgs)
	High Pressure	Low Pressure	High Pressure	Low Pressure		(kw)	(Pole)	(RPM)		
JMP 1/3	720	30	0.2	2/1.6	220V, single phase	0.3	4	2800	1.5	8
JMP 1/2	720	70	0.35	2/1.6	220V, single phase	0.4	4	1720	3	21
JMP 1	720	70	0.6	4.5	220V, single phase	0.75	4	1720	10	50
JMP 2	720	70	1.2	4.5	220V, 3- phase	1.5	4	1720	10	55
JMP 3	720	70	1.8	4.5	220V, 3- phase	1.5	4	1720	10	55
JMP 5	720	70	2.7	7	220V, 3- phase	2.2	4	1720	12	63

HYDRAULIC ANGLE PUNCH



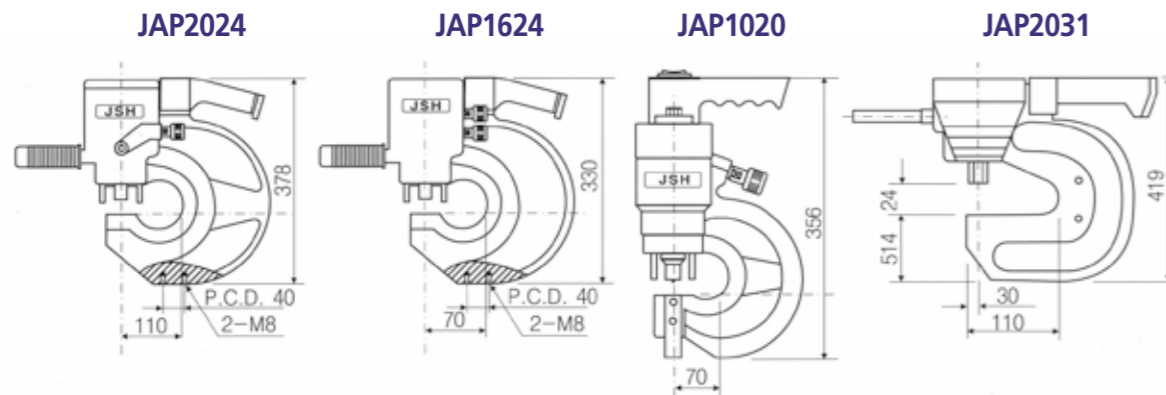
CAPACITY 23~75 ton
MAXIMUM PUNCHING DIAMETER Ø 31
MAXIMUM PRESSURE 700 kgf/cm²
 • Punching through I-beams, H-beams, Mild steel, etc.

최대펀칭지름 ▶ Ø 31

최대펀칭두께 ▶ 20mm

실린더용량 ▶ 75tons

- 4가지 기본모델
- 경량화 및 소형화로 제작되어 휴대가 용이하다.
- 가공면이 깨끗하고, 작업의 효율성이 탁월하다.
- 철탑공사, H 빔 등의 작업 등에 적용



Specification

MODEL	Cylinder Capacity (tons)	Max. Punching Diameter (Ø)	Max. Punching Thickness (mm)	Max. Center Depth (mm)	Weight (kg)
Jap-1020	23	20	10	60	13
Jap-1224	30	24	12	60	15
Jap-1624	45	24	16	65	21
Jap-1624	45	24	16	110	28
Jap-2024	65	24	20	110	37
Jap-2031	75	31	20	110	75

HYDRAULIC SINGLE-ACTING CYLINDERS



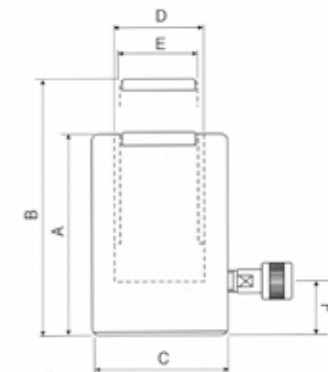
CAPACITY 5~100 ton
STROKE 50~200mm
MAXIMUM PRESSURE 700 kgf/cm²
HYDRAULIC COUPLER 3/8" PT

단동램은 상승시 유압으로 상승하고 하강할 때는 스프링이 되돌리는 타입으로 하강함으로 소형 램에도 편리하게 사용할 수 있다.

- Single-acting RAM rises by oil pressure when rise and I can use conveniently in small RAM that descend by type that spring returns when descend.

JSC-1050

- Stroke, 50mm
- Capacity, 10ton
- Single-Acting Cylinder
- JinSan



Specification

MODEL	Cylinder Capacity (tons)	Stroke (mm)	Cylinder Effective Area (cm ²)	Oil Capacity (cc)	Retracted height A	Extended height B	Cylinder Out Dia C	Cylinder Bore Dia D	Outside Dia E	Base to Inlet port F	Weight (kgs)
JSC-1050	10	50	16	79	146	196	62	45	38	19	2.5
JSC-10100		100		159	196	296					3.5
JSC-10150		150		238	246	396					4.5
JSC-2050	20	50	33	166	157	207	88	65	58	25	7
JSC-20100		100		332	207	307					9.5
JSC-20150		150		498	257	407					11
JSC-3050	30	50	44	220	167	217	105	75	68	25	10
JSC-30100		100		440	217	317					12.5
JSC-30150		150		660	267	417					15
JSC-5050	50	50	71	355	192	242	128	95	85	33	13
JSC-50100		100		710	242	342					16
JSC-50150		150		1070	292	442					19
JSC-10050	100	50	143	715	715	268	185	135	105	41	18
JSC-100100		100		1430	1430	368					38
JSC-100150		150		2146	2146	468					50

HYDRAULIC DOUBLE-ACTING CYLINDERS



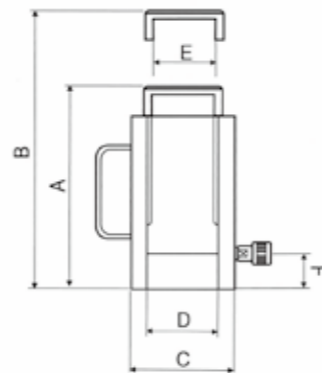
CAPACITY 5~1000 ton
STROKE 150~300mm
MAXIMUM PRESSURE 700 kgf/cm²
HYDRAULIC COUPLER 3/8" PT

유압 주입구가 상하로 분리되어 복동으로 작동한다. 대형 램에 적당한 타입이다.

- Oil pressure filler opening is detached up and down and operates by double-acting.
- It is type that is suitable to large size RAM.
- How to understand Model No.

JDC-50150

- Stroke, 50mm
- Capacity, 5ton
- Double-Acting Cylinder
- JinSan



Specification

MODEL	Cylinder Capacity (tons)	Stroke (mm)	Cylinder Effective Area (cm ²)	Oil Capacity (cc)	Retracted height	Extended height	Cylinder Out Dia	Cylinder Bore Dia	Outside Dia	Base to Inlet port	Weight (kgs)
					A	B					
JDC-50150	50	150	70.8	1062	337	487	132	95	60	35	30
JDC-50300		300		2124	487	787					50
JDC-100150	100	150	143	2145	355	505	185	135	95	40	64
JDC-100300		300		4290	505	805					83
JDC-150150	150	150	213.7	3205	386	536	215	165	125	49	104
JDC-150300		300		6410	536	836					136
JDC-200150	200	150	283.3	4250	399	549	247	190	160	60	129
JDC-200300		300		8500	549	849					169
JDC-300150	300	150	456.2	6843	450	600	310	241	197	65	252
JDC-300300		300		13686	600	900					299
JDC-400150	400	150	559.9	8399	480	630	350	267	216	70	342
JDC-400300		300		16797	630	930					436
JDC-500150	500	150	731.7	10967	525	675	400	305	248	80	493
JDC-500300		300		21951	675	975					616
JDC-600150	600	150	854.8	12822	545	695	430	330	267	85	586
JDC-600300		300		25644	695	995					722
JDC-800150	800	150	1176.9	17654	595	745	505	387	317	100	885
JDC-800300		300		29423	745	1045					1082
JDC-1000150	1000	150	1466.4	21996	635	785	560	432	343	110	1168
JDC-1000300		300		43992	785	1085					1400

HYDRAULIC ALUMINUM CYLINDERS



CAPACITY 20~100 ton
STROKE 50~150mm
MAXIMUM PRESSURE 700 kgf/cm²
HYDRAULIC COUPLER 3/8" PT

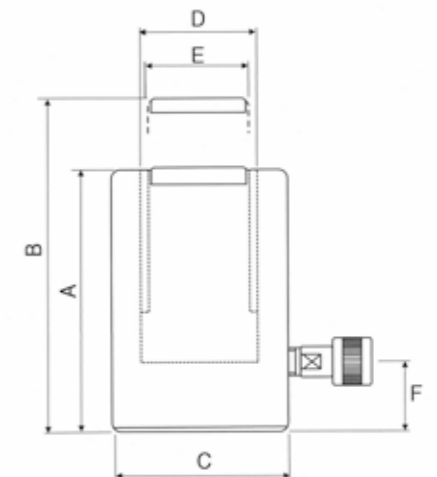
- JinSan Aluminum cylinders are almost half the weight of steel cylinders.

Aluminum Ram은 (Steel)ram의 1/3무게로 제작되어 취급이 간편하고 강력하게 제작되었습니다. 광산, 선박, 제철소, 동력설비, 건설현장에서 Jack기구로서는 이상적입니다. 이러한 Single Acting Spring Return Ram은 Max700kg/cm²에 사용되도록 설계되었습니다.

- How to understand Model No.

JAC-2050

- Stroke, 50mm
- Capacity, 20ton
- Aluminum Cylinder
- JinSan



Specification

MODEL	Cylinder Capacity (tons)	Stroke (mm)	Cylinder Effective Area (cm ²)	Oil Capacity (cc)	Retracted height	Extended height	Cylinder Out Dia	Cylinder Bore Dia	Outside Dia	Base to Inlet port	Weight (kgs)
					A	B					
JAC-2050	20	50	33	165	140	190	96	65	58	25	3
JAC-20100		100		330	190	290					4
JAC-20150		150		495	240	390					5
JAC-3050	30	50	44.1	220	150	200	108	75	68	25	5
JAC-30100		100		440	200	300					6.5
JAC-30150		150		660	250	400					8
JAC-5050	50	50	70.8	354	165	215	136	95	85	30	6
JAC-50100		100		708	215	315					10.5
JAC-50150		150		1062	265	415					15
JAC-10050	100	50	143	715	190	240	195	135	110	40	16
JAC-100100		100		1430	240	340					19.5
JAC-100150		150		2145	290	440					23

HYDRAULIC SHORTY CYLINDERS



CAPACITY	10~200 ton
STROKE	44~50mm
MAXIMUM PRESSURE	700 kgf/cm ²
HYDRAULIC COUPLER	3/8" PT

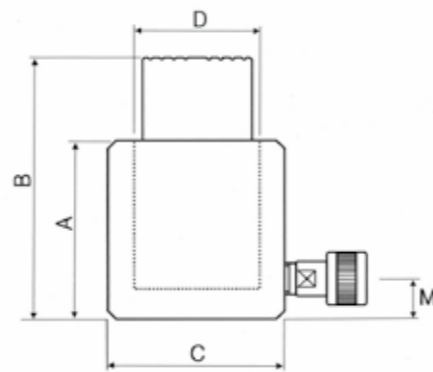
Short Ram은 Spring Return으로 좁은 공간이나 틈새가 작은 곳에서 작업이 용이한 Ram입니다.

- Compact, flat design for use where there where other cylinders will not fit.

- How to understand Model No.

JSC-1044

- Stroke, 44mm
- Capacity, 10ton
- Shorty Cylinder
- JinSan



Specification

MODEL	Cylinder Capacity (tons)	Stroke (mm)	Cylinder Effective Area (cm ²)	Oil Capacity (cc)	Retracted height	Extended height	Cylinder Out Dia C	Cylinder Bore Dia D	Base to Inlet port E	Weight (kgs)
					A	B				
JSC-1044	10	44	15.2	66	101	145	68	44	18	3.2
JSC-2044	20	44	28.2	124	103	147	87	60	18	5.9
JSC-3044	30	44	44.2	194	103	147	105	75	18	6
JSC-5050	50	50	70.8	354	111	161	128	95	18	15
JSC-10050	100	50	143	715	137	187	178	135	20	20.4
JSC-15050	150	50	213	1068	192	242	208	165	43	39
JSC-20050	200	50	268.6	1343	193	243	235	185	50	61

HYDRAULIC LOW PROFILE CYLINDERS



CAPACITY	10~100 ton
STROKE	11~16mm
MAXIMUM PRESSURE	700 kgf/cm ²
HYDRAULIC COUPLER	3/8" PT

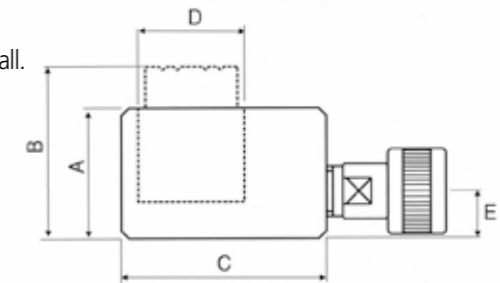
Profile cylinder은 스프링 리턴 방식이다. 좁은공간 또는 틈새가 작은곳에서 작업이 편리한 램입니다.

- It is profile cylinder silver spring return method.
- Work is a convenient RAM in where crawl space or windage is small.

- How to understand Model No.

JLPC-1011

- Stroke, 11mm
- Capacity, 10ton
- Low profile Cylinder
- JinSan



Specification

MODEL	Cylinder Capacity (tons)	Stroke (mm)	Cylinder Effective Area (cm ²)	Oil Capacity (cc)	Retracted height	Extended height	Cylinder Out Dia C	Cylinder Bore Dia D	Base to Inlet port E	Weight (kgs)
					A	B				
JLPC-1011	10	11	15.9	17	42	53	82	45	14	1.6
JLPC-2011	20	11	28.2	31	51	62	101	60	16	2.9
JLPC-3013	30	13	41.8	54	58	71	117	73	19	3.9
JLPC-5016	50	16	63.5	101	66	82	139	90	19	6.5
JLPC-7516	75	16	103.8	166	79	95	165	115	19	11
JLPC-10016	100	16	122	196	85	101	178	125	19	14
JLPC-15016	150	16	200	321	100	116	215	160	24	25

HYDRAULIC SINGLE-ACTING CENTER HOLE CYLINDERS



CAPACITY	10~100 ton
STROKE	41~75mm
MAXIMUM PRESSURE	700 kgf/cm ²
HYDRAULIC COUPLER	3/8" PT

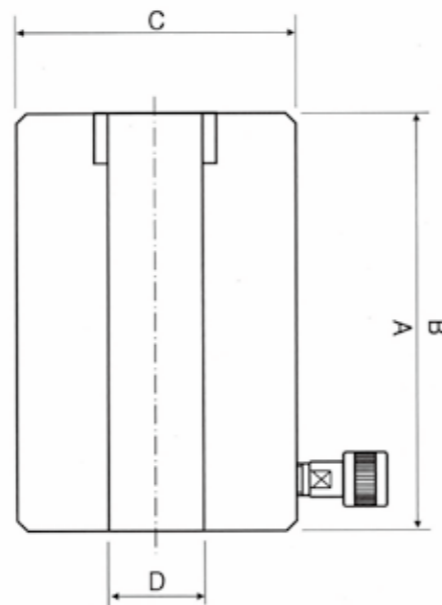
Ram 중간에 구멍이 뚫려있어 Hydraulic Punch, Grip Puller 인장 시험기, PC 선인장용 등 각종 기기로 널리 사용할 수 있습니다.

- I can use and so on by various devices for hydraulic pressure punch grip pellers tension tester PC cact us because there is hole RAM middle.

- How to understand Model No.

JSCH-1041

- Stroke, 44mm
- Capacity, 10ton
- Shorty Cylinder
- JinSan



Specification

MODEL	Cylinder Capacity (tons)	Stroke (mm)	Cylinder Effective Area (cm ²)	Oil Capacity (cc)	Retracted height	Extended height	Cylinder Out Dia	Cylinder Bore Dia	Weight (kgs)
					A	B			
JSCH-1042	10	42	17.9	74	122	164	69	20	2.8
JSCH-2050	20	50	41.8	158.4	168	218	98	23	5
JSCH-3063	30	63	47.7	300.4	179	242	114	33.3	10.9
JSCH-5075	50	75	84.2	631	237	312	159	54	28.1
JSCH-10075	100	75	142.9	1071	255	330	212	79	52.5

HYDRAULIC ALUMINUM PULLING JACKS



CAPACITY	20~50 ton
STROKE	150mm
MAXIMUM PRESSURE	700 kgf/cm ²
HYDRAULIC COUPLER	3/8" PT

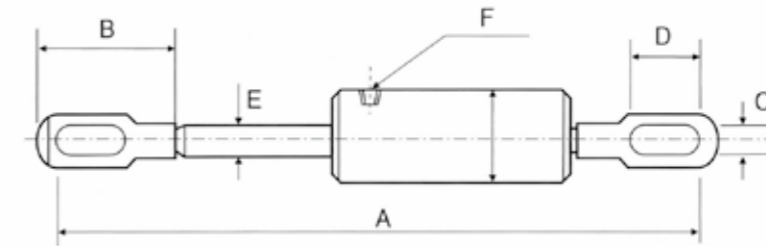
알루미늄 풀링 잭은 스틸 풀링 잭의 절반 무게로 가볍다. 조선소, 중공업, 플랜트 등에 사용이 적당하다.

- Aluminium Pulling Jack is light by steel Pulling jack's half weight.
- Shipbuilding yard, Heavy industry, Use is suitable to plant etc.

- How to understand Model No.

JAPJ-20150

- Stroke, 150mm
- Capacity, 20ton
- Aluminum Pulling Jacks
- JinSan

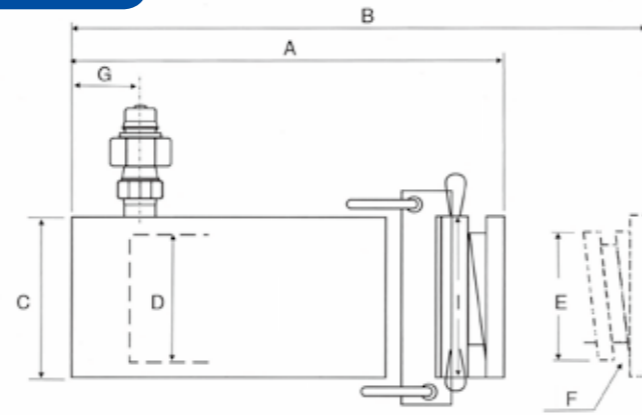
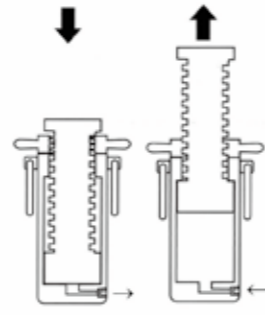


Specification

MODEL	Cylinder Capacity(tons)	Stroke (mm)	Dimension					
			A	B	C	D	E	F
JSCH-20150	20	150	853	208	35	108	50	
JSCH-30150	30	150	910	255	39	140	60	PT3/8"
JSCH-50150	50	150	884	237	55	115	75	

HYDRAULIC LOCK NUT CYLINDERS

• Hydraulic Single Cylinder with Safty Nut



• How to understand Model No.

JLNC-N30

- Capacity, 30ton
- Lock Nut Cylinder
- JinSan

Specification

MODEL	Cylinder Capacity (tons)	Stroke (mm)	Retracted height	Extended height	Cylinder Out Dia	Cylinder Bore Dia	Rod Dia	Rod Screw	Base to Inlet port
			A	B					
JLNC-N30	30	200	335	535	105	75	68	68P6	30
JLNC-N50	50	200	375	575	128	95	80	80P6	40
JLNC-N100	100	230	410	640	185	135	110	110P6	39
JLNC-N150	150	230	430	660	225	165	140	140P6	52
JLNC-N200	200	230	440	670	255	195	170	170P6	50

HYDRAULIC ANGLE CUTTERS



CAPACITY 30~50 ton
MAXIMUM PRESSURE 700 kgf/cm²

• Angle cutters available with hand or electric pumps

앵글을 절단하는 전용공구로서 건축현장이나 철탑건설현장, 조선소 등에서 사용됩니다. 특히 재료의 손실이 없으며 중간 위치에서도 절단이 가능합니다.

Specification

MODEL	Max. Angle	Capacity	Pump
JAC-75	75 X 75 X 10T	30Ton	Hand or Electric
JAC-100	100 X 100 X 13T	50Ton	
JAC-125	125 X 125	75Ton	

HYDRAULIC GRIP PULLERS



본 Grip Puller는 Pully나 Gear Bearing Wheel등을 빼는데 사용하는 전용공구입니다. 이 제품은 강력한 Ram의 Power를 이용하도록 제작되어 있는 제품으로서 물체와 작업상황에 따라서 2-Jaw Puller와 3-Jaw Puller를 선택할 수 있습니다.

Specification

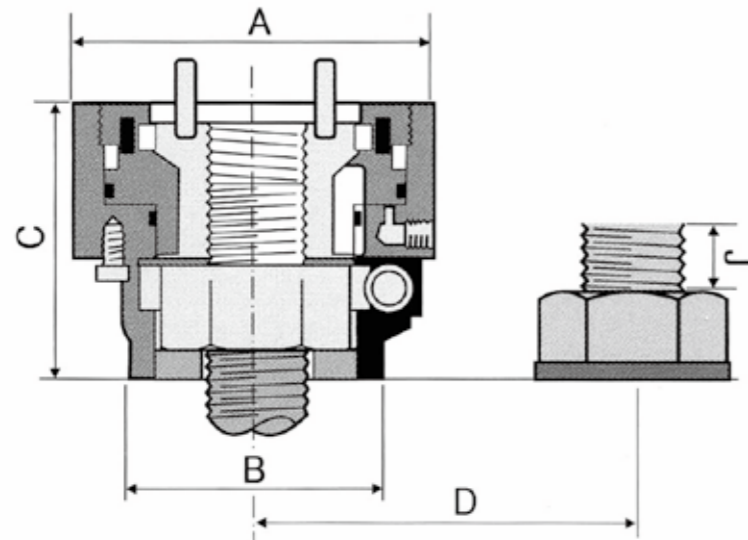
MODEL	Capacity (Tons)	Max. Reach (mm)	Max. Spread (mm)	Cyl. Stroke (mm)	Weight (kgs)
JGP-10	10	210	220	150	4
JGP-20	20	314	550	150	9.4
JGP-30	30	400	580	150	15.6
JGP-50	50	490	600	150	26.8

HYDRAULIC BOLT-TENSIONERS



CAPACITY	13.5~309 ton
STROKE	4~10mm
BOLT RANGE	M20~M100
MAXIMUM PRESSURE	1100 kgf/cm ²

- Fitted with single acting spring return cylinders for use of Bolts/Nuts Connection
- 유압조정으로 임의의 조임력을 얻을 수 있습니다.
- Center Hole Type로 되어 있기 때문에 Bolt 돌출길이에 관계없이 경량, Compact화 되어 있습니다.
- Nut부와 Flange 관동의Space가 없는 경우에도 사용가능합니다.
- 유압 Unit는 용도에 따라 전동, 수동 Power Pack이 사용되므로 Hydraulic Wrench와의 병용이 가능합니다.



- How to understand Model No.

JBT-M20

- Bolt Range
- Bolt Tensioner
- JinSan

HYDRAULIC PIPE BENDERS



CAPACITY	2", 3", 4"
STROKE	255~300mm
MAXIMUM PRESSURE	700 kgf/cm ²
CYLINDER	10~20 tone

- Pipe Bender는 1/2"~4"의 강철도관과 가스파이프를 현장에서 정확하게 굽힐 수 있도록 설계된 간편한 휴대용 장비입니다. 어떠한 장소에서도 사용할 수 있고 10ton~20ton의 Ram압력으로 쉽게 휘어집니다.

- How to understand Model No.

JPB-2"

- Bending Capacity 2inch
- Pipe Bender
- JinSan

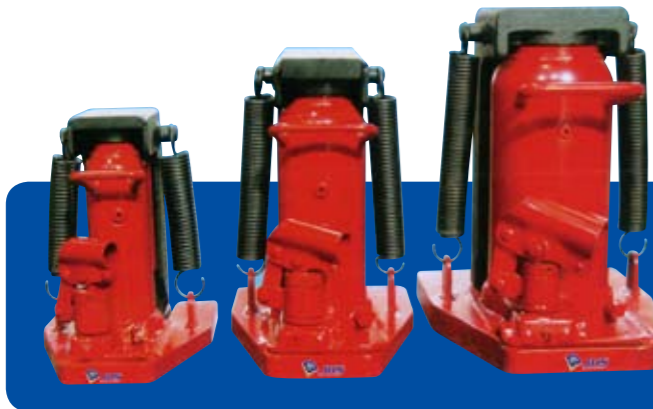
Shoe Size		KS Pipe(수도관)			
mm (A)	Inch (B)	Out-Dia (mm)	In-Dia (mm)	Thickness (mm)	Radius (mm)
15	1/2	21.7	16.1	2.8	60
20	3/4	27.2	21.6	2.8	80
25	1	34.0	27.6	3.2	100
32	1 1/4	42.7	35.7	3.5	130
40	1 1/2	48.6	41.6	3.5	160
50	2	60.5	52.9	3.8	220
65	2 1/2	76.3	67.9	4.2	320
80	3	89.1	80.7	4.2	425
90	3 1/2	101.6	93.2	4.2	550
100	4	114.3	105.3	4.5	600

Shoe Size		GS Pipe(전선관)			
mm (A)	Inch (B)	Out-Dia (mm)	In-Dia (mm)	Thickness (mm)	Radius (mm)
16	1/2	21.0	16.4	2.3	75
22	3/4	26.5	21.9	2.3	90
28	1	33.3	28.3	2.5	130
36	1 1/4	41.9	42.8	2.5	195
42	1 1/2	47.8	42.8	2.5	230
54	2	59.6	54.0	2.8	270
70	2 1/2	75.2	69.6	2.8	450
82	3	87.9	82.3	2.8	500
92	3 1/2	100.7	93.7	3.5	500
104	4	113.4	106.4	3.5	680

Specification

MODEL	Max. Capacity (inch)	Max. Wall Thckness (mm)	Max. Bending Angle (°)	Dimension (mm)	Bending Shoes (Qt'y)	Cylinder Capacity (tons)	Weight (kgs)
JPB-2	2"(50A)	3.8	90	700 X 700 X 250	1/2"-2"	10	40
JPB-3	3"(80A)	4.5	90	850 X 1050 X 300	3/4"-3"	15	60
JPB-4	4"(100A)	4.9	90	1150 X 1300 X 300	1 1/4"-4"	20	170

HYDRAULIC OIL-JACKS



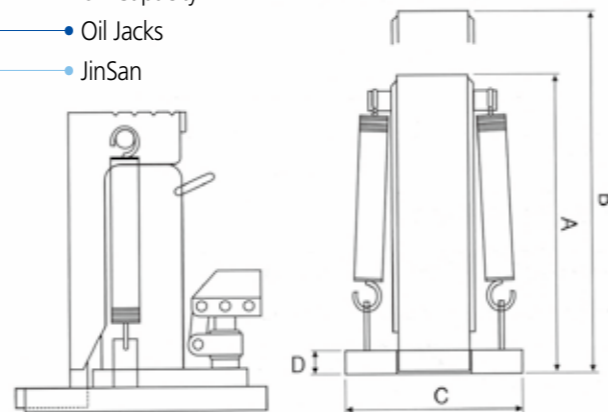
CAPACITY 5~30 ton
STROKE 120~160mm
MAXIMUM PRESSURE 700 kgf/cm²

- For use in very confined work areas
- 틈새가 극히 좁은 곳에서 중량물을 들어 올리는 경우에 사용합니다.

- How to understand Model No.

JOJ-5-2.5

- Down Capacity
- UP Capacity
- Oil Jacks
- JinSan

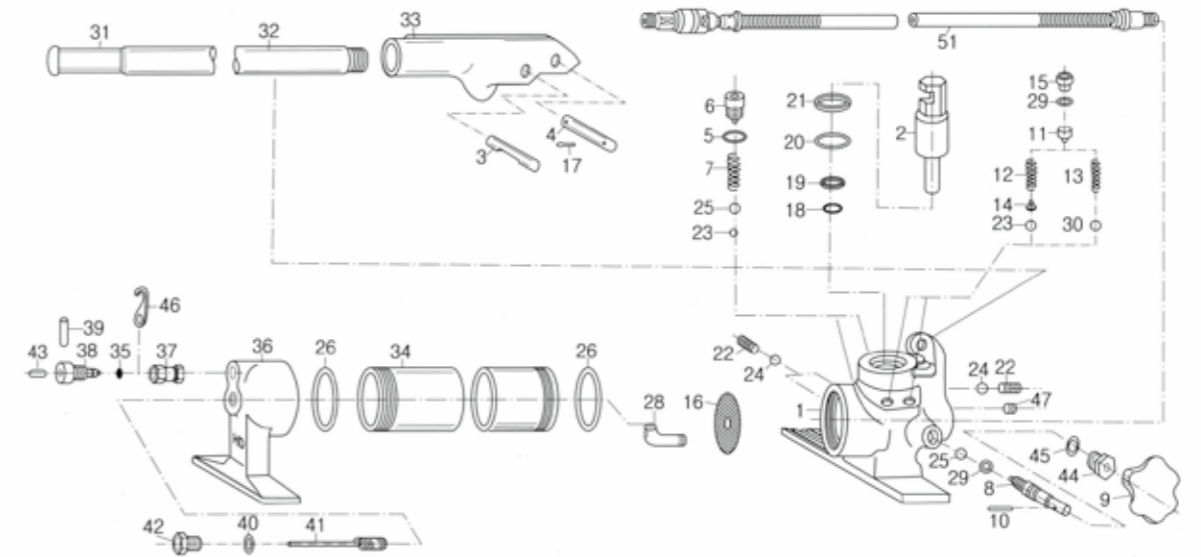


Specification

MODEL	Cylinder Capacity		Stroke (mm)	Retracted height	Extended height	Base Dimension	Base Thickness	Weight (kgs)
	(Up)	(Down)		A	B			
JOJ-52.5	5	2.5	120	243	363	170 X 230	19	7.2
JOJ-105	10	5	150	290	440	188 X 260	22	13.5
JOJ-2010	20	10	160	333	493	245 X 280	28	24.5
JOJ-3015	30	15	160	353	513	273 X 308	32	39.5

PUMP PARTS LIST

• JHP-1B Hand Pump



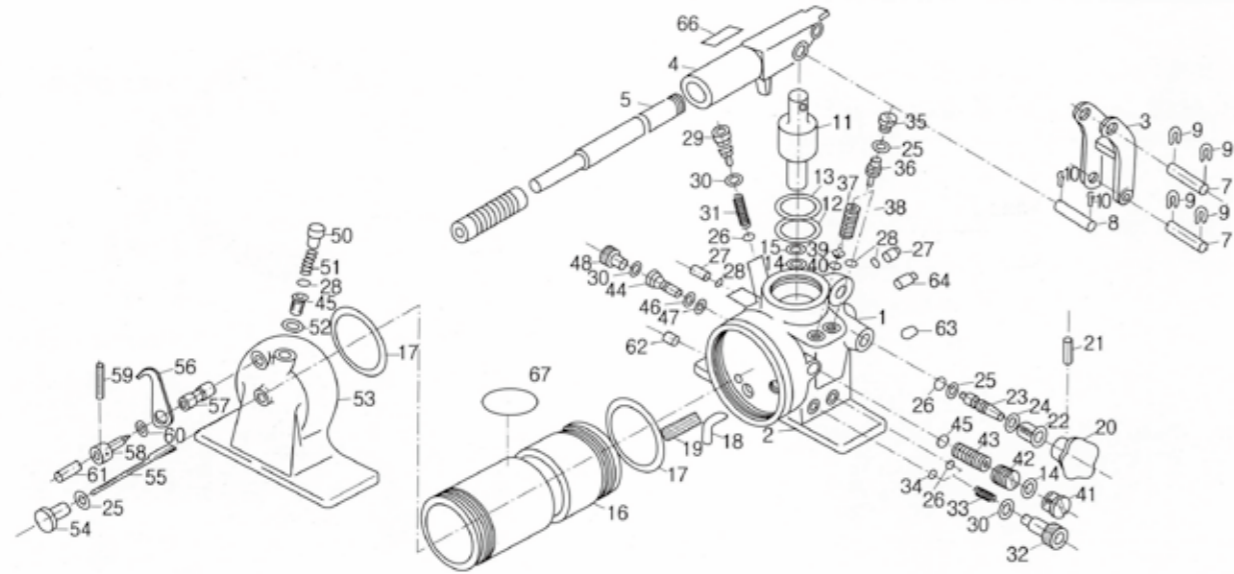
Specification

No.	Description	Q'ty
1	Pump Body	1
2	Piston	1
3	Notched Pin	1
4	Pin	1
5	Washer	2
6	Socket Cap Screw	2
7	Spring	2
8	Discharge Valve Rod	1
9	Handle	1
10	Tapered Pin	1
11	Spring Adjustin'g Screw	2
12	High Pressure Side Spring	1
13	Low Pressure Side Spring	1
14	Ball Disc	1
15	Cover Screw	2
16	Strainer	1
17	Cottered Pin	2
18	O Ring	1
19	Back-up Ring	1
20	O Ring	1
21	B8CK-up Ring	1
22	Set Screw	3
23	Steel Ball, 7/32	3
24	Steel Ball, 1/4	3

No.	Description	Q'ty
25	Steel Ball, 5/16	3
26	O Ring	2
28	Drain Pipe	1
29	O Ring	3
30	Steel Ball, 9/32	1
31	Lever Grip	1
32	Lever	1
33	Lever Body	1
34	Reservoir Pipe	1
35	O Ring	1
36	Right Leg	1
37	Bush	1
38	Air Valve	1
39	Spring Pin	1
40	O Ring	1
41	Oil Lever Gauge	1
42	Screw	1
43	Felt	1
44	Set Screw	1
45	O Ring	1
46	Lever Hook	1
47	Blind Screw	1
48	Body Board	
51	High Pressure Hose	

PUMP PARTS LIST

• JHP-2B Hand Pump



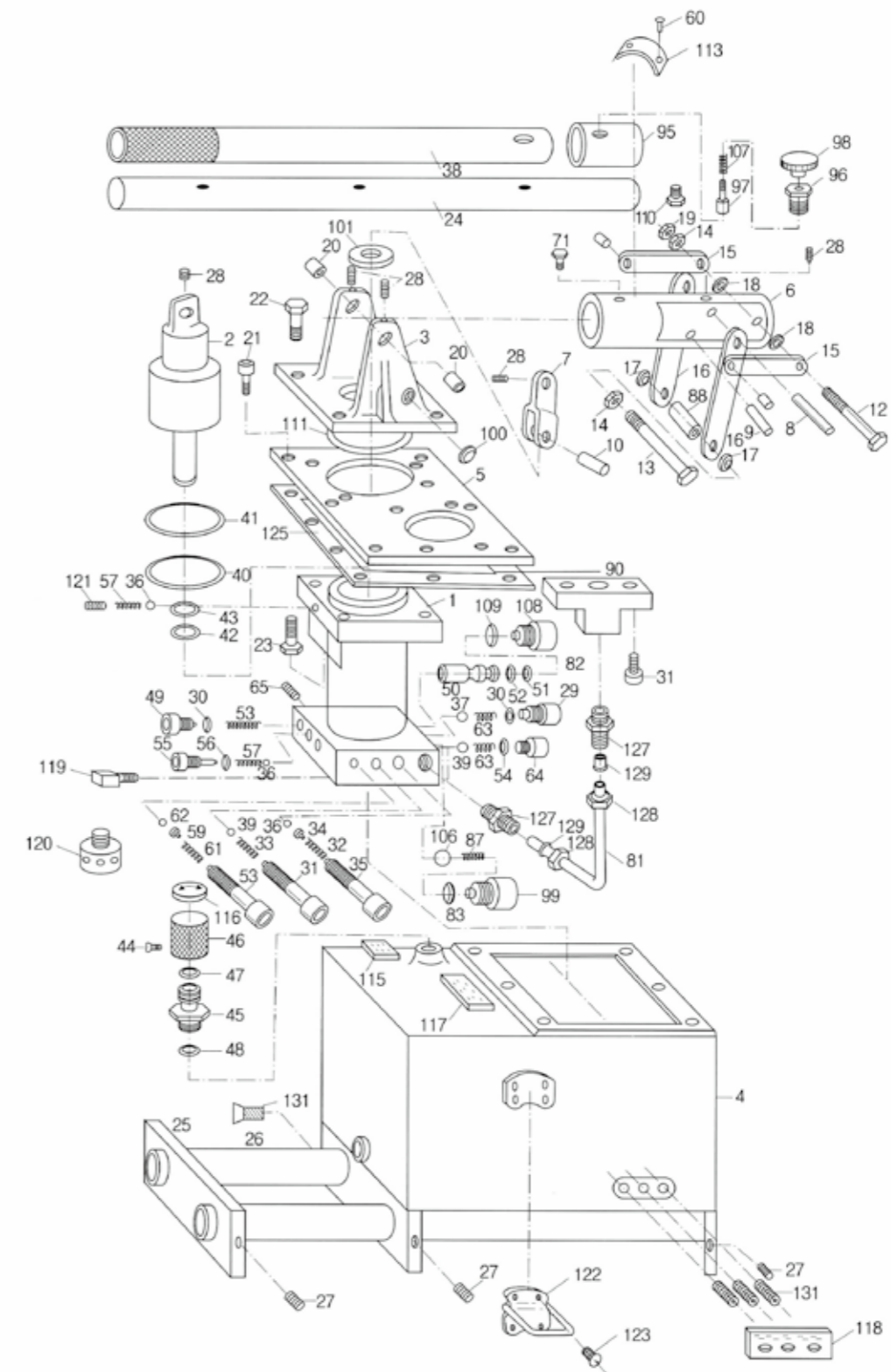
Specification

No.	Description	Q'ty
1	Pump Body	
2	Body Bracket	
3	Leuer Support	
4	Leuer Body	
5	Lever	
6	Lever GriP	
7	Pin	
8	Pin	
9	Snap Ring	
10	Spring Pin	
11	Piston	
12	O Ring	
13	Back-up Ring	
14	O RingBack-up	
15	Back-up Ring	
16	Oil Tank	
17	O Ring	
18	Drain Pipe	
19	Strainer	
20	Handle	
21	Sring Pin	
22	Set Screw For Discharge Varve Rod	
23	Discharge Valve Rod	
24	O Ring	
25	O Ring	
26	Steel Ball	
27	Set Screw	
28	Steel Ball	
29	Bolt	
30	Washer	
31	Spring Pin	
32	Bolt	
33	Spring	
34	Steel Ball	

No.	Description	Q'ty
35	Set Screw	
36	Spring Discharge Screw	
37	High Pressure Spring	
38	Low Pressure Spring	
39	Ball Disc	
40	Steel Ball	
41	Set Screw	
42	Discharge Screw	
43	Lew Pressure Spring	
44	Low Pressure Spring	
45	Steel Ball	
46	O Ring	
47	Back-up Ring	
48	Bolt	
49	Air Valve Bolt	
50	Air Valve	
51	Spring	
52	O Ring	
53	Right Leg	
54	Screw	
55	Oil Level Gauge	
56	Lever Hook	
57	Notched Pin	
58	Air Valve	
59	Spring Pin	
60	O Ring	
61	Pin	
62	Bolt	
63	Bolt	
64	Set Screw	
65	Set Pin	
66	Name Plate	
67	Name Plate	

PUMP PARTS LIST

• JHP-3B HAND PUMP



MODEL JHP-3B PUMP PARTS LIST

Specification

No.	Description	Q'ty
1	Pump body	
2	Piston	
3	Supporter	
4	Reservoir	
5	Supporter Board	
6	Lever Body	
7	Piston Crank	
8	Lever Pin	
9	"	
10	"	
11	"	
12	Hexagon Bolt	
13	Hexagon Bolt	
14	Hexagon Nut	
15	Lower Supporter	
16	"	
17	Washer	
18	"	
19	Hexagon Nut	
20	Washer(Lever Pin)	
21	Wrench Bolt	
22	Hexagon Bolt	
23	"	
24	Hever	
25	Quadrangle Board	
26	Quadrangle Pipe	
27	Set Screw	
28	Set Screw(Supporter)	
29	Socket Cap Screw	
30	Copper Washer	
31	Low Pressure Control Wrench Bolt	
32	High Pressure Spring	
33	Low Pressure Spring	
34	Bolt Disc	
35	High Pressure Control Wrench Bolt	
36	Steel Ball(5.5Ø)	
37	Steel Ball(7.9Ø)	
38	Support Lever	
39	Steel ball(7.1Ø)	
40	O Ring(Low Pressure)	
41	Back-up Ring	
42	O Ring(High Pressure)	
43	Back-up Ring	
44	Piss Bolt	
45	Air Valve Screw	
46	Air Valve Nut	
47	O Ring(Air Valve)	
48	O Ring(Air Valve)	
49	Screw(Unloader)	
50	Unloader Pin	

No.	Description	Q'ty
52	Back-up Ring(Unloader)	
53	Spring(Unloader)	
54	Copper Washer(Discharge Chock)	
55	Screw(Unloader Chock)	
56	Copper Washer(Unloader Chock)	
57	Spring(Unloader Chock)	
58	Control Wrench Bolt	
59	Ball Disc	
60	Piss Bolt	
61	Spring	
62	Steel Ball	
63	Spring	
64	Socket Cap Screw	
65	Set Screw	
76	O Ring	
81	Coupling Pipe	
87	Spring	
88	Pin(Lever Cranic)	
89	Copper Washer	
90	Coupling Board	
91	Socket Cap Screw	
95	Coupling Pipe(Lever)	
96	Fixing Bolt	
97	Wrench Bolt	
98	Fixing Nut	
99	Socket Cap Screw	
100	Washer(Supporter)	
101	"	
105	Steel Ball(9.5Ø)	
107	Spring(Lever)	
108	Socket Cap Screw	
109	Copper Washer	
110	Hexagon Bolt	
111	O Ring(Supporter)	
113	Name Plate	
114	"	
115	" (Air valve)	
116	"	
117	"	
118	" (Pin)	
119	Strainer Nipple	
120	Strainer Nipple	
121	Set Screw(Spring)	
122	Handle	
123	Piss Bolt	
125	Packing	
127	Union(9Ø)	
128	Union Nut	
129	Ring(9Ø)	
131	Set Screw(3/8PT)	

CERTIFICATE

• ISO 9001



CERTIFICATE OF REGISTRATION

This is to certify that

JIN SAN HYDRAULIC

#430-3, An-dong, Gimhae, Gyeongnam, Korea

operates a

QUALITY MANAGEMENT SYSTEM

which complies with the requirements of

ISO 9001:2008

for the following scope of registration

The registration covers the Quality Management System for the

Manufacture and Servicing of Industrial Hydraulic Machinery such as Pump, Punch, Ram, Jack, Cylinder and Tools

Certificate No.:	KG09/0013Q	Original Certification Date:	Mar. 06, 2009
File No.:	KG/090015	Current Certification Date:	Mar. 06, 2009
Issue date:	Mar. 06, 2009	Certificate Expiry Date:	Mar. 05, 2012



Peter SC Kang
President
SAI Global Co., Limited




Registered by:
SAI Global Co., Limited, No. 804-Ho, Gayang Techno Town BLDG. 1407, Gayang Stream-dong, Gangseo-gu, Seoul, Korea 157-793 (SAI Global) and subject to the SAI Global Terms and Conditions for Certification. While all due care and skill was exercised in carrying out this assessment, SAI Global accepts responsibility only for proven negligence. This certificate remains the property of SAI Global and must be returned to SAI Global upon its request.
*To verify that this certificate is current please refer to the SAI Global On-Line Certification register:
<http://www.saigroup.org/search/search.asp>