

INTRODUCTION TO PRODUCTS CATALOGUE

JINWOO'S HIGH TECHNOLOGY LEADS YOU TO COMPETITIVE BUSINESS





History: Our company was established in 1992 in the name of Hosung Machinery Co. specialized in production of sophisticated machineries and renamed as Jinwoo Machinery Co. in 1998.

Jinwoo Machinery: Since 1998, we are producing Aerial Work Platforms with steady application of advanced technologies aimed at innovative designs by R&D division, satisfying Customers expectations and Operator's safety.

Jinwoo SMC Co. Ltd.: In 2007, JINWOO SMC was setup, spreading over 26,400Sq.m area with work force of over 55 dedicated employees for design, purchase, production, sales and services of multi special machineries and Demolition and Rescue Fire-Suppression Fighter Water Cannon.

After-Sales: We have 20 After-Sales Service centers and 4 Assembly centers spread throughout for best possible response to our local customers. We lead Korean market share for Aerial Platforms consecutively for several years with highest technologies, yet economical, and reliable services.

Overseas: Due to application of High-end Technologies by Korea, huge overseas demands for Korean products exists all around the world. We started to export in 2008 to Iraq; followed by Middle-East, Asia in 2009 & mainly Canada, Philippines and Singapore in 2010. Also mainly Iraq, Bangladesh, Iran, UAE, Vanuatu, Saudi Arabia, China, India in 2011. And extended to export to Malaysia, Russia, Ghana in 2012, Peru, Indonesia, Vietnam in 2013, Kuwait, Uzbekistan, Turkmenistan in 2014, Thailand, Sri Lanka, Qatar in 2015. And exported to the same countries for the repeated orders in 2016 ~ 2017.



MANAGEMENT HISTORY

- 2004 : Nominated as the promising upcoming Medium and Small Enterprise by Korean Government
- 2005 : Establishment of exclusive Research and Development center
- 2006 : Nominated as a Venture Business by Korean Government
 Approved as the Technology Innovation mode of Enterprise (INNO-BIZ) by Korean Government
 Grant of ISO 9001 : 2000 certification
 Issue of ISO 14001 : 2004 – Safety and Cleanliness recognition from Quality Management System for Environmental Safety certification
- 2007 : Jinwoo SMC Co. Ltd. was established with Jinwoo Machinery as its subsidiary.
- 2009 : Grant of ISO 9001 : 2008 certification
 Approval Certification by Korea Food and Drug Administration for Super Specialty Ergonomic Medical Bed ~ Govt. Sponsored Health Care Project
 Export of Aerial Work Platforms to Middle-East worth more than 1.5Million USD
 Nominated as Reliable and Promising Export SME by Govt. Authority
- 2010 : Innovation of World's First Self-Propelled Bridge Maintenance Unit for Singapore Govt.
 Approval of ANSI92.2 – 2009 Certification for our Canada Exported Model
- 2011 : Awarded One Million Dollar's Export Volume Performance by Korea Int'l Trade Association.
- 2012 : Extension of ISO 9001 : 2008 and ISO 14001 : 2004
 Approval of GOST Certification for our Russian Exported Model
 Passed Certificate of ANSI 92.2 ~ 2009.
 Grant of Clean Workplace Certification
- 2015 : Approval of CE Certificate for our European Exported Model
- 2016 : Produced and delivered 4 units of "Demolition and Rescue Fire-Suppression Fighter Water Cannon" to Korean government.
- 2018 : Approval of CU certificate for all Models.

DESIGN ACHIEVEMENT HISTORY

- 1992 : Automatic Control Systems for Industrial machineries
- 1998 : Establishment of Jinwoo Machinery Corporation
- 1999 : Design and Production of 8m, 12m and 14.5m Telescopic and Z-link Type MEWP
- 2000 : Design and Production of 18m Telescopic Aerial Work Platform
- 2001 : Design, Development and Production of 21m telescopic type
- 2002 : Design and Development of 29m -first time with end-articulated Boom
- 2003 : 24m and 32m were designed successfully at first attempt
- 2004 : Design and Production of 48metres end-articulated type
- 2005 : Advanced, Design and production of Diplo320 and Diplo400
- 2006 : Release of Customized 49m with end-articulated Boom & 65m Telescopic Boom
- 2007 : Advanced Design of 45m Rear type, 67m – Highest range product
- 2008 : Release of Special vehicles for Health care ~ Korean Govt. Projects
 Highest range of 75m is developed and released in local market achieving 70% share
- 2009 : Joint-Development of Fully Integrated Universal Mechatronic Control System.
- 2010 : Design of world's first ever compact, light-weight, self-propelled Bridge Maintenance special machinery for, and approved, by Singapore govt.
- 2011 : Special design of 32m Jib Boom type Mobile Elevating Work Platform for Canadian customer for his local American vehicle which passed ANSI 92.2 – 2009 Certification
- 2012 : Developed and Produced Ladder Lift Truck (25m)
- 2013 : Development and release of Mini Breaker (1ton)
- 2014 : Development of World's highest 35m(3.5tons) Sky Lander(Highlander), Compact Mini Breaker (2ton), Mobile kitchen truck, 45m (Articulating), 45m(new design)
- 2015 : Developed Demolition and Rescue Fire-Suppression Fighter Water Cannon, Vehicle Wireless Remote controlled –Korean type.
 Developed all chain type (28m, 32m, 45m) and acquired CE certificate.
- 2017 : Developed PHEV Garbage Truck
- 2018 : Developed all chain type (290CW, 300C, 300A/insulating, 320C, 380CW, 450CW, 450CWS, 580C) models.



AERIAL ELEVATING WORK PLATFORM
JINWOO 750



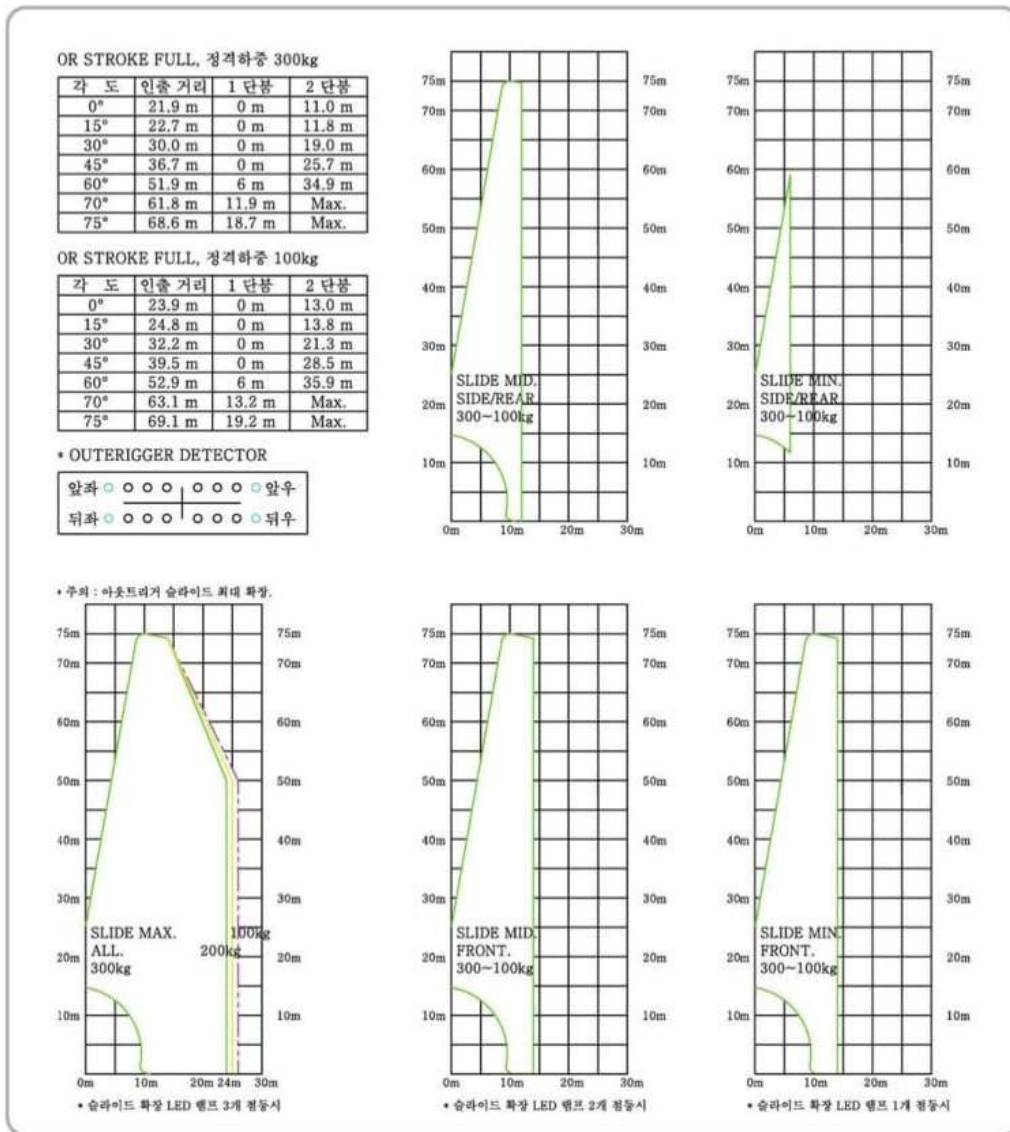
AERIAL ELEVATING WORK PLATFORM

JINWOO 750

BOOM EXTENSION BY ALL CHAIN TYPE

- Total of 10 booms without Auxiliary boom for cadence movements.
- Boom material is DOMEX700 steel to minimize drooping/moment.
- All of boom's extension & retraction are chain type for enhanced safety.

WORK AREA DIAGRAM



SPECIFICATION

JINWOO 750 SPECIFICATION			
Contents	Unit	Data	Remarks
Mounting Truck	Ton	Tata Daewoo 19.5	36 Tons GVW
Max. Working Load	Payload	kg	300
			Including 2 persons
Product's Dimension (with Vehicle)	Length	mm	12,990
	Height	mm	3,990
	Width	mm	2,495
Working Area	Max. Height	m	75
	Max. Outreach	m/kg	24/300 ~ 26/100
Platform	Dimension	mm	3140*780*1100
	Rotation Angle	deg.	720 max.
Boom	Type		Octagonal
	Number of Booms		10
Turntable Rotation	Extension		By hydraulic Cylinder & Chain
	Type		By Hydraulic reduction gear
Hydraulic Pump Drive Type	Rotation Angle	deg.	360
	Engine		P.T.O
Outrigger	Width	mm	9,190(F/R) 8,100(L/R)
	Extension		By hydraulic Cylinder & Wire
	Type		X - A Patented
Valve control	Type		By lever
	Remote control		Wireless

Note : The above specifications are bound to change without prior notification for better operator's safety and due to changes in truck specifications.



AERIAL ELEVATING WORK PLATFORM
JINWOO 580C

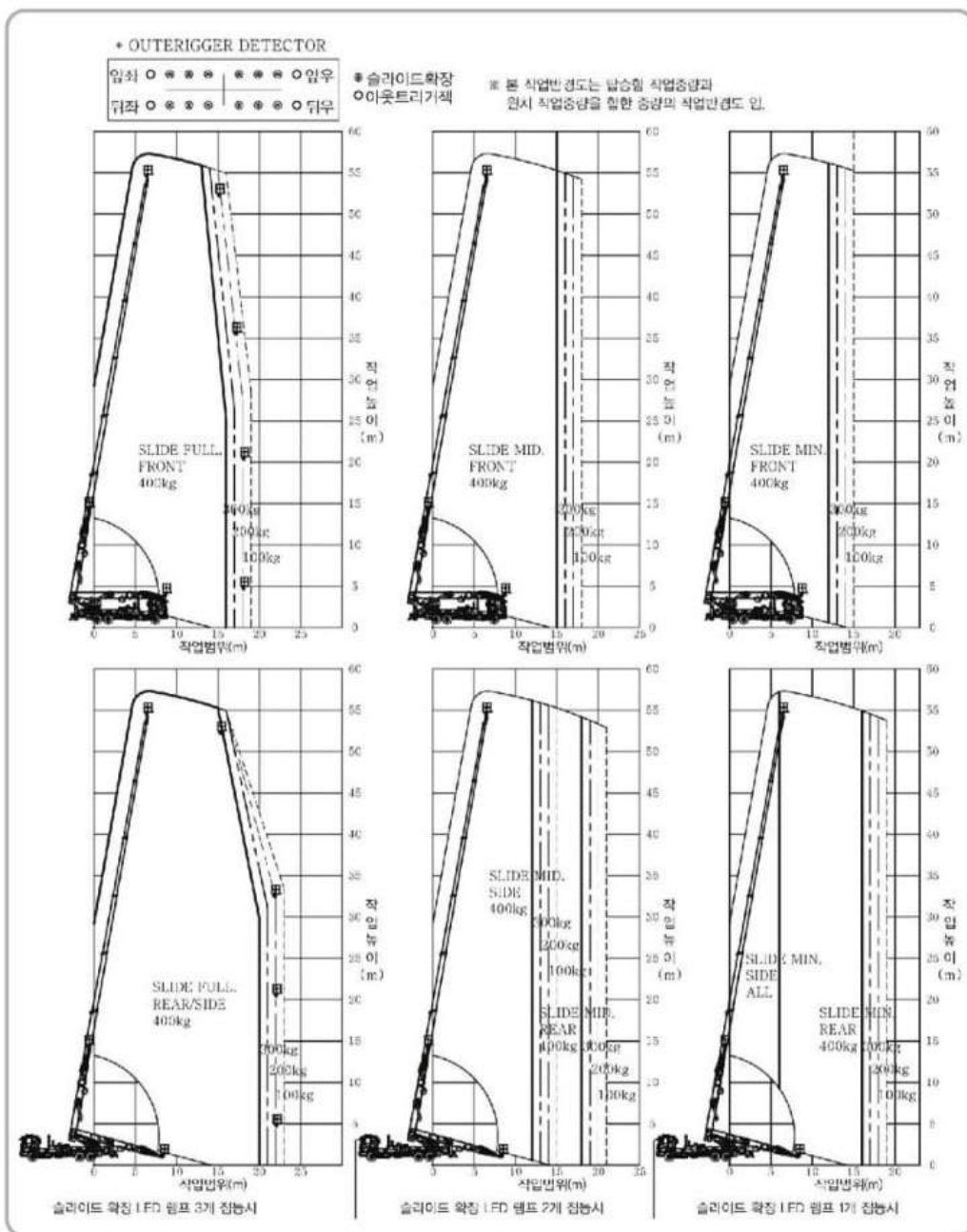


AERIAL ELEVATING WORK PLATFORM JINWOO 580C

FIRST CERTIFIED BY KOREAN GOVERNMENT

- Boom has all chain type for enhanced safety & minimal drooping.
- Full extraction type with 7 booms.
- Minimized boom's bending due to DOMEX steel.
- Option for cabin tilt, winch(KC certified)
- Minimized bounding by X-A type outrigger and aluminum foldable platform.
- Work area limit system per each extension length of outrigger slide for safety, convenience, efficiency & endurance.

WORK AREA DIAGRAM



SPECIFICATION

JINWOO 580C SPECIFICATION			
Contents	Unit	Data	Remarks
Mounting Truck	Ton	24 GVW	Long WB
Max. Working Load	Payload	kg	400
	Length	mm	12,470
	Height	mm	3,960
Product's Dimension (with Vehicle)	Width	mm	2,495
	Max. Height	m	57
	Max. Outreach	m/kg	20/400 ~ 23/100
Working Area	Dimension	mm	3140*870*1100
	Rotation Angle	deg.	720
Platform	Type		Octagonal
	Number of Booms		7
Boom	Extension		By hydraulic Cylinder & Chain
	Type		By Hydraulic reduction gear
Turntable Rotation	Rotation Angle	deg.	360
			continuous
Hydraulic Pump Drive Type	Engine		P.T.O
	Width	mm	8,560(F/R) 7,000(L/R)
Outrigger	Extension		By hydraulic Cylinder & Wire
	Type		X - A
Valve control	Type		By lever
	Remote control		Wireless
Winch	Optional	kg	400

Note : The above specifications are bound to change without prior notification for better operator's safety and due to changes in truck specifications.



AERIAL ELEVATING WORK PLATFORM
JINWOO 450CW

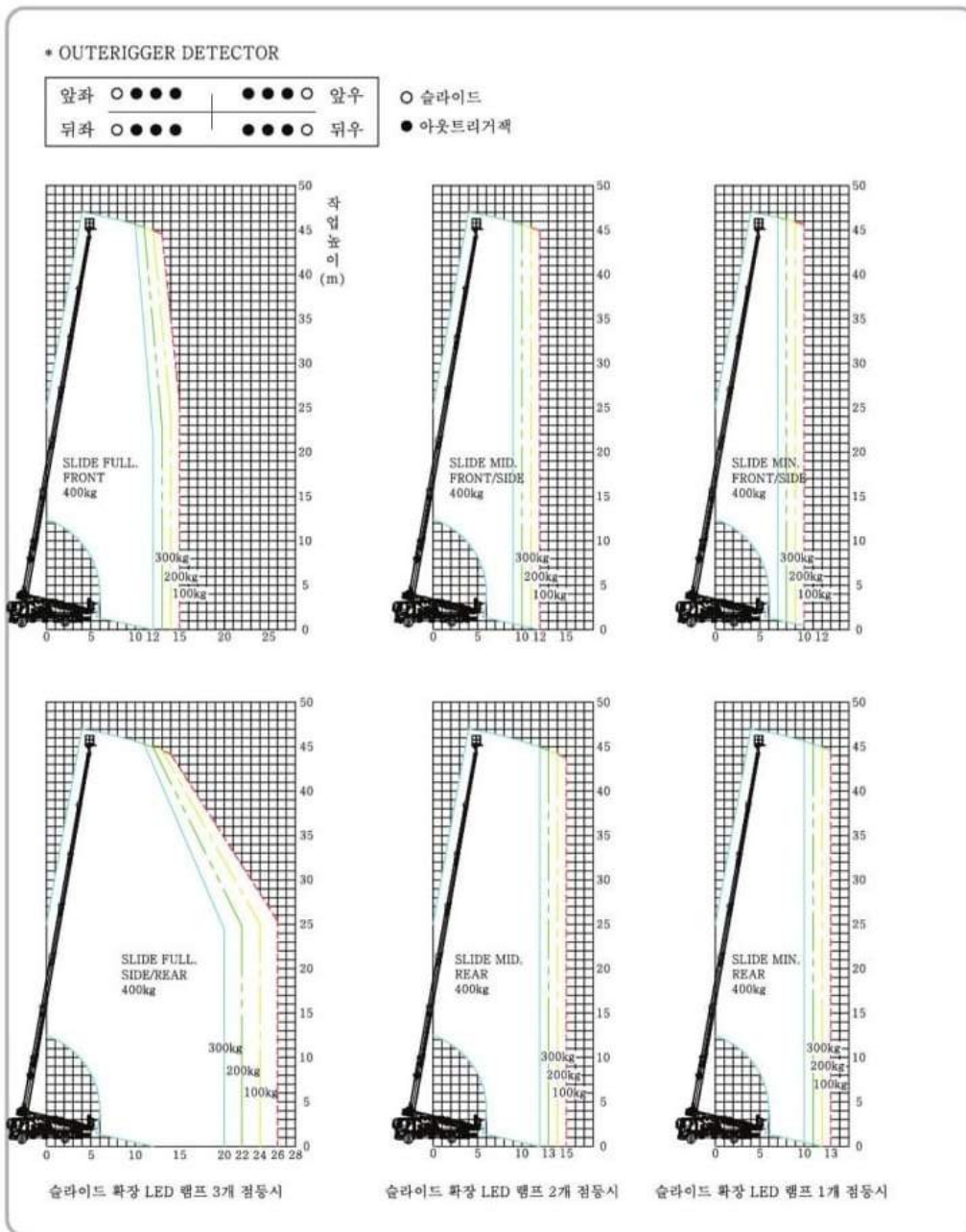


AERIAL ELEVATING WORK PLATFORM JINWOO 450CW

HIGH QUALITY EQUIPMENT WITH ALL CHAIN TYPE OF BOOM

- Boom material is DOMEX700 steel to minimize drooping.
- Strong frame & X-A type(patent) outrigger to minimize moment.
- Built-in tools with enough space.
- Auto control system of work area restriction according to position of outrigger.

WORK AREA DIAGRAM



SPECIFICATION

JINWOO 450CW SPECIFICATION				
Contents	Unit	Data	Remarks	
Mounting Truck	Ton	16.5 GVW	ultra-long WB	
Max. Working Load	Payload	Kg	400	
	Length	mm	9,510	
	Height	mm	3,900	
Product's Dimension (with Vehicle)	Width	mm	2,495	
	Max. Height	m	46	
	Max. Outreach	m/kg	22/400 ~ 26/100	
Working Area	Dimension	mm	1640*500*1100	Basic
		mm	3040*855*1100	Extended
Platform	Rotation Angle	deg.	720	max.
	Type		Octagonal	
Boom	Number of Booms		7	Telescopic
	Extension		By hydraulic Cylinder, Chain By Hydraulic reduction gear	
Turntable Rotation	Type			
	Rotation Angle	deg.	350	limited
Hydraulic Pump Drive Type	Engine		P.T.O	
	Width	mm	8,460 F; 8,165 R	
Outrigger	Extension		By hydraulic Cylinder, Wire	
	Type		X - A	Patented
	Type		By lever	
Valve control	Remote control		Wireless	
	Winch	Optional	kg	400

Note : The above specifications are bound to change without prior notification for better operator's safety and due to changes in truck specifications.



AERIAL ELEVATING WORK PLATFORM
JINWOO 450A



**PROFESSIONAL EQUIPMENT WITH HIGH DURABILITY
USING TELESCOPIC & ARTICULATING BOOMS**

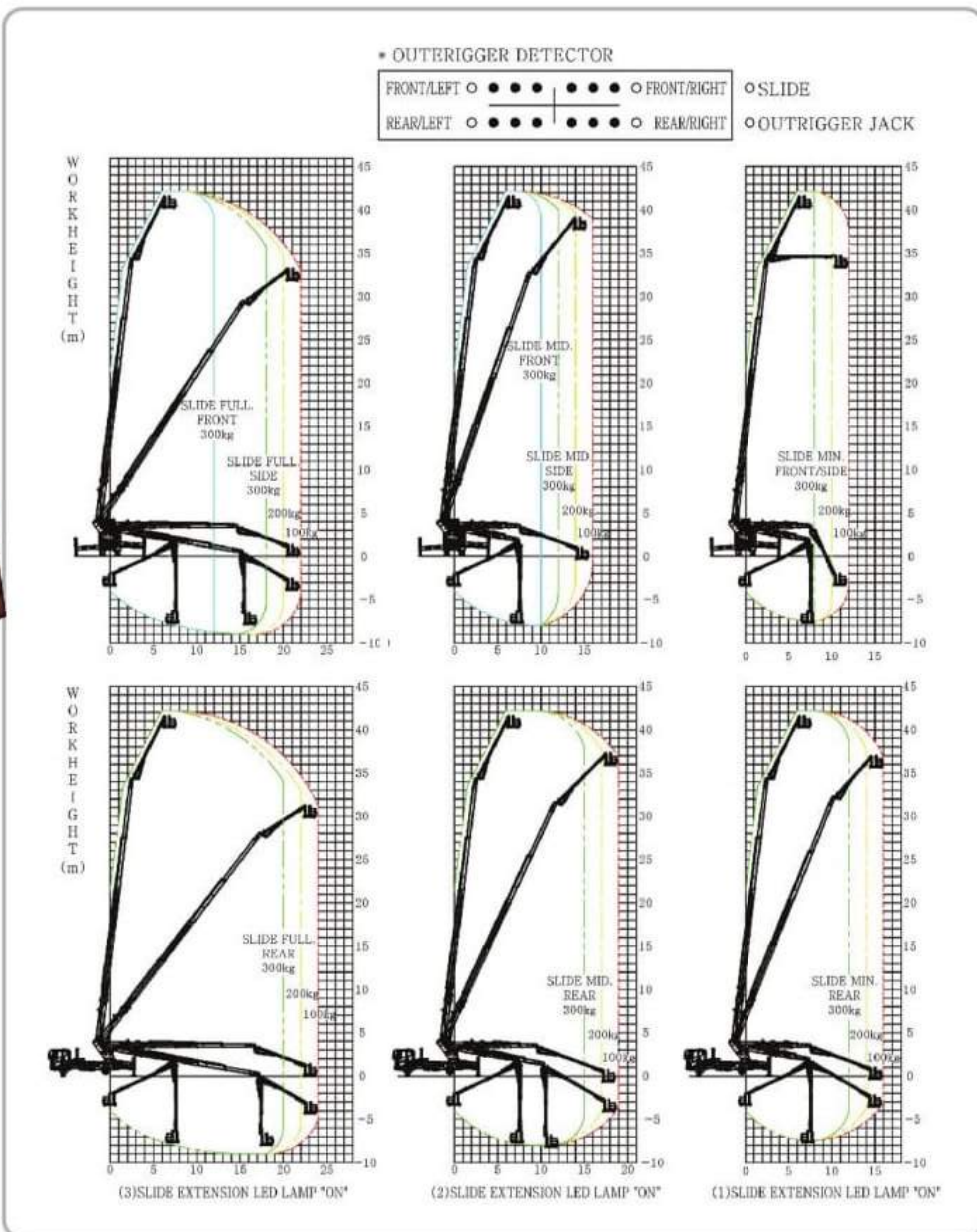
It is highly flexible and compact providing superior work reliability in complex work fields such as under bridges, below ground and any intricate work area requiring end articulating & telescopic booms.



AERIAL ELEVATING WORK PLATFORM JINWOO 450A



WORK AREA DIAGRAM



SPECIFICATION

JINWOO 450A SPECIFICATION				
Contents	Unit	Data	Remarks	
Mounting Truck	Ton	16.5 GVW	ultra-long WB	
Max. Working Load	Payload	Kg	300	Including 2 persons
	Legth	mm	9,920	
Product's Dimension (with Vehicle)	Height	mm	3,955	
	Width	mm	2,495	
Working Area	Max. Height	m	42	
	Max. Outreach	m/kg	20/300~24/100	
Platform	Dimension (L x D x H)	mm	1,650 * 610 * 1,100	Basic
		mm	3,150 * 900 * 1,100	Extended
	Rotation Angle	deg.	720	max.
Boom	Type		Octagonal(telescopic) Rectangular (articulating)	
	Number of Booms		5(telescopic) + 2(articulating)	
	Extension		By hydraulic Cylinder, Chain	
Turntable Rotation	Type		By Hydraulic reduction gear	
	Rotation Angle	deg.	360	continuous
Hydraulic Pump Drive Type	Engine		P.T.O	
	Width	mm	8,520(F/R) 8,115(L/R)	
Outrigger	Extension		By hydraulic Cylinder & Wire	
	Type		X - A	Patented
	Type		By lever	
Valve control	Remote control		Wireless	

Note : The above specifications are bound to change without prior notification for better operator's safety and due to changes in truck specifications.



AERIAL ELEVATING WORK PLATFORM
JINWOO 380CW



AERIAL ELEVATING WORK PLATFORM JINWOO 380CW

HIGH LEVEL WORK CAPABILITY & EFFICIENCY WITH ALL CHAIN TYPE OF BOOM

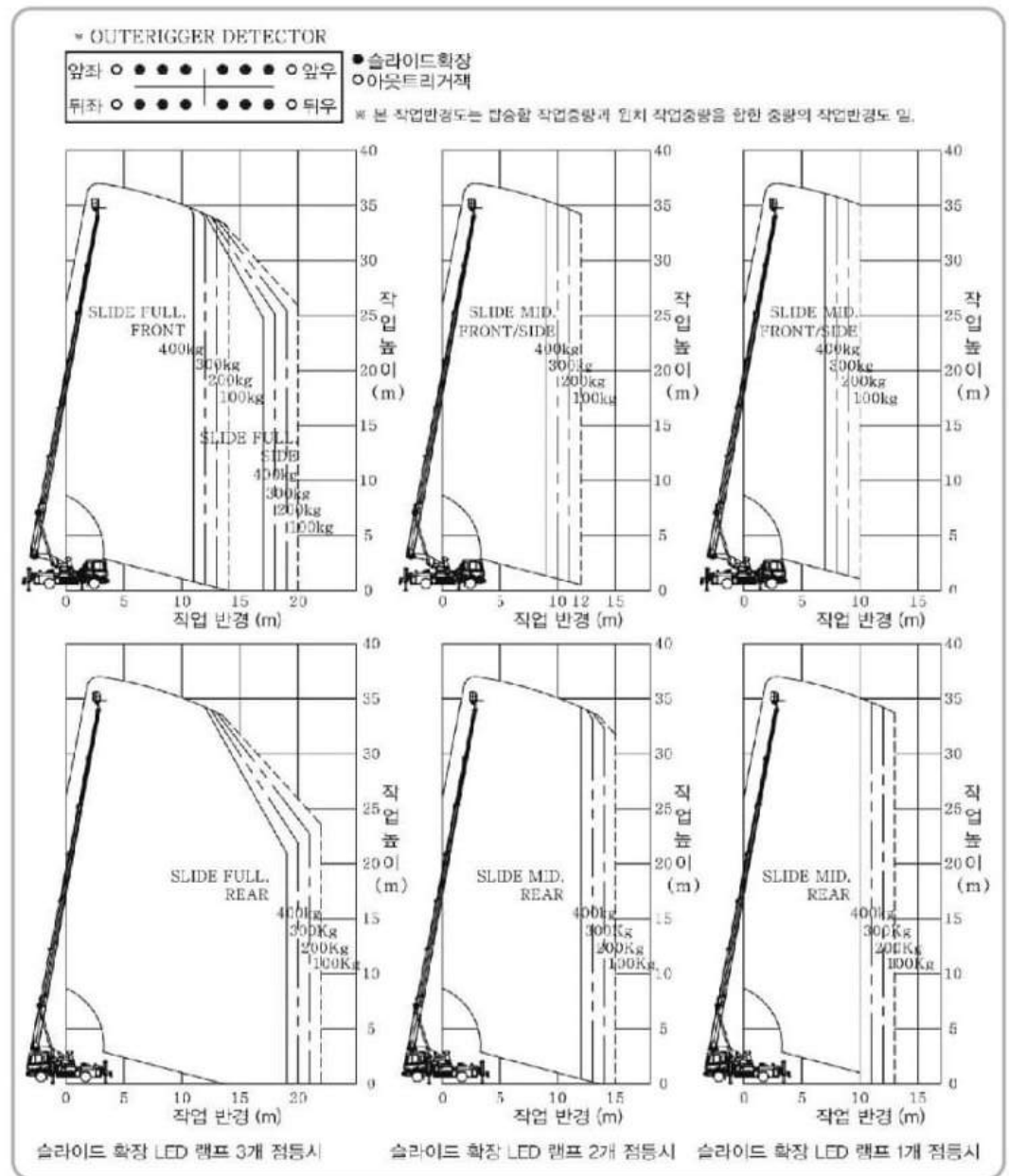
- Product's height is 3.5m which is very low compared with other manufacturers.
- X-A type(patent) outrigger for wider outreach.
- Mounted on HYUNDAI 5ton (short axle) i.e. 15ton GVW truck.

SPECIFICATION

JINWOO 380CW SPECIFICATION				
Contents	Unit	Data	Remarks	
Mounting Truck	Ton	15 GVW	short WB	
Max. Working Load	Cargo	kg	400	Including 2 persons
	Length	mm	7,680	
Product's Dimension (with Vehicle)	Height	mm	3,620	
	Width	mm	2,340	
Working Area	Max. Height	m	37	
	Max. Outreach	m/kg	19/400 ~ 22/100	
Platform	Dimension	mm	1,640 * 500 * 1,100	Basic
			3,040 * 855 * 1,100	Extended
	Rotation Angle	deg.	720	max.
Boom	Type		Octagonal	
	Number of Booms		7	All Telescopic
	Extension		By hydraulic Cylinder, Chain	
Turntable Rotation	Type		By Hydraulic reduction gear	
	Rotation Angle	deg.	350	limited
Hydraulic Pump Drive Type	Engine		P.T.O	
Outrigger	Width	mm	7,300 F; 6,600 R	
	Extension		By hydraulic Cylinder, Wire	
	Type		X - A	Patented
Valve control	Type		By lever	
	Remote control		Wireless	
Winch	Optional	kg	400	

Note : The above specifications are bound to change without prior notification for better operator's safety and due to changes in truck specifications.

WORK AREA DIAGRAM



SPECIAL CRANE WINCH



AERIAL ELEVATING WORK PLATFORM
JINWOO 320J/370J



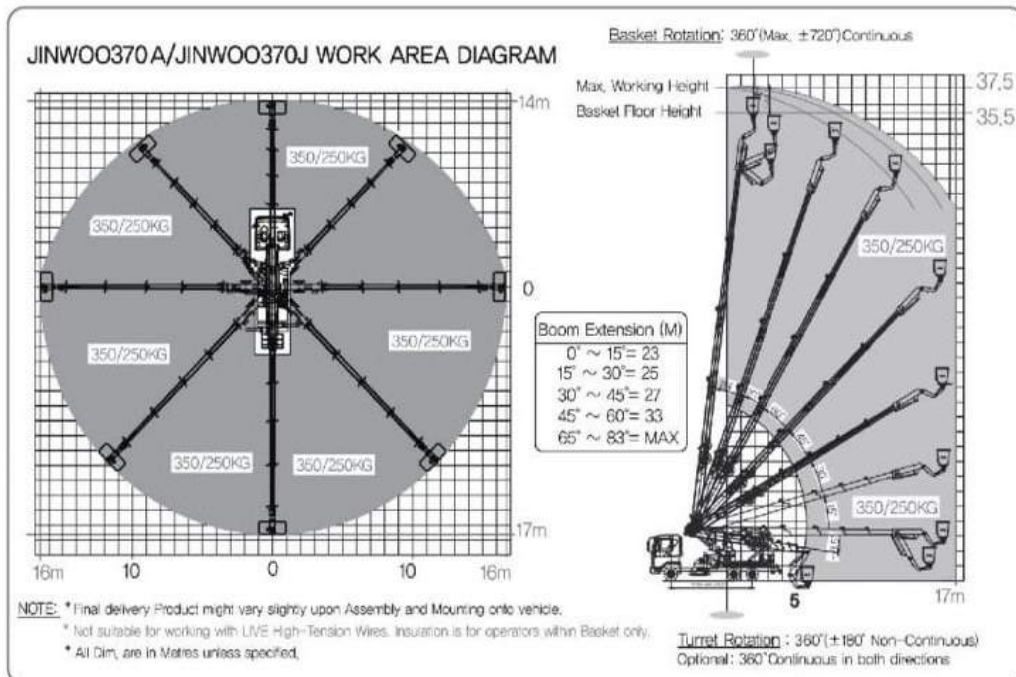
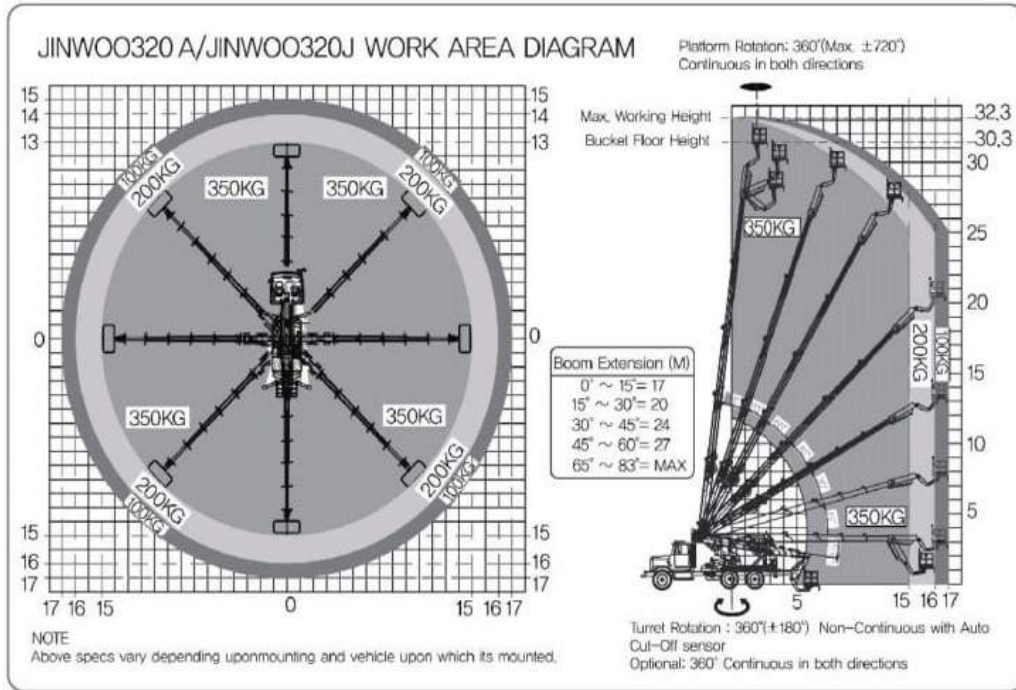
PROFESSIONAL EQUIPMENT WITH HIGH DURABILITY
USING TELESCOPIC & JIB ARTICULATING BOOMS

Jib Articulating Boom is highly flexible because of articulation point for the platform to move up and down; thereby providing greater versatility to reach narrow and confined work area which Telescopic Booms cant approach easily.



AERIAL ELEVATING WORK PLATFORM JINWOO 320J/370J

WORK AREA DIAGRAM



SPECIFICATION

Aerial Access Work Platform ~ Jinwoo 320J/370J				
DESCRIPTION		Unit	SPECIFICATIONS	
PRODUCT CODE	BY OEM	-	JINWOO320J	JINWOO370J
MANUFACTURER	OEM	-	JINWOO SMC. CO. LTD.	
PERMISSIBLE MOUNTING VEHICLE	TATA-DAEWOO or HYUNDAI MOTORS	-	6x4, 350PS ENGINE, 26.5Tons GVW	6x4, 380PS ENGINE, 29Tons GVW
PRODUCT (INCLUSIVE OF VEHICLE)	STOWED LENGTH	mm	10,165	10,980
	STOWED WIDTH	mm	2,495	2,495
	STOWED HEIGHT	mm	3,935	3,985
	WEIGHTAGE	Tons	AROUND 18.4	AROUND 19.6
TELESCOPIC BOOM WITH END ARTICULATING JIB BOOM	No. of BOOMS	EA	5+1 (ARTICULATE ~120°)	6+1 (ARTICULATE ~120°)
	LENGTH of FIRST BOOM	mm	6,200	6,200
TURRET or TURNTABLE	ROTATION	DEGREE	360°(±180°) NON-CONTINUOUS(AUTO CUT-OFF) or 360° CONTINUOUS IN BOTH DIRECTIONS	
	TYPE	-	HYDRAULIC SLEWING WITH REDUCTION GEAR	
OUTRIGGER (PATENTED X-A STYLE)	No. of BOOMS	-	TOTAL 4 (1 Fixed)	
	EACH SLIDE STROKE LENGTH	mm	1050 (FRONT) / 1050 (REAR)	
	MAX. OUTREACH	mm	8200 (FRONT) / 8200 (REAR)	
OUTRIGGER JACKS	STROKE LENGTH	mm	860	
STEEL PLATFORM or FRP INSULATED BASKET	F.R.P BASKET	mm	1280(L)*1100(H)*850(W)(for 2 workmen)	
	F.R.P INSULATION	Volts	20,000	
VALVE CONTROLS	ROTATION	DEGREE	360° (CONTINUOUS USING RING GEAR)	
	BASIC TYPE	-	MANUAL LEVER (OUTER RIGGERS and BOOM)	
	REMOTE CONTROL	-	PORTABLE WIRELESS (FOR UPPER CONTROLS)	
	MAXIMUM WORKING HEIGHT	M	32 (30.3M TO FLOOR)	37.5 (35.8M TO FLOOR)
	MAXIMUM OUTREACH(REAR & SIDES)	M	15 (350Kg)	17 (350Kg)
	MAXIMUM WORKING LOAD (PAYLOAD)	Kgs	250 for FRP BASKET 350 for STEEL PLATFORM	
	HYDRAULIC OIL TANK CAPACITY	Ltrs.	180	
	SAFETY DEVICES		RELIEF VALVE, COUNTER BALANCE VALVE, PROPORTIONAL CONTROL VALVE, PLATFORM SAFE ANGLE CONTROL VALVE, PILOT CHECK VALVE, VEHICLE OVERTURNING ALARM, BOOM OVER EXTENSION ALARM (OPTIONAL): AUTOMATIC CUT-OFF SAFETY SYSTEM WITH DISPLAY MONITOR, PAYLOAD & BOOM ANGLE & WEIGHT LIMITER)	

Note : The above specifications are bound to change without prior notification for better operator's safety and due to changes in truck specifications.



AERIAL ELEVATING WORK PLATFORM
JINWOO 320C



AERIAL ELEVATING WORK PLATFORM JINWOO 320C

WORKING HEIGHT IS MORE COMPARED WITH COMPETITORS SIMILAR MODELS

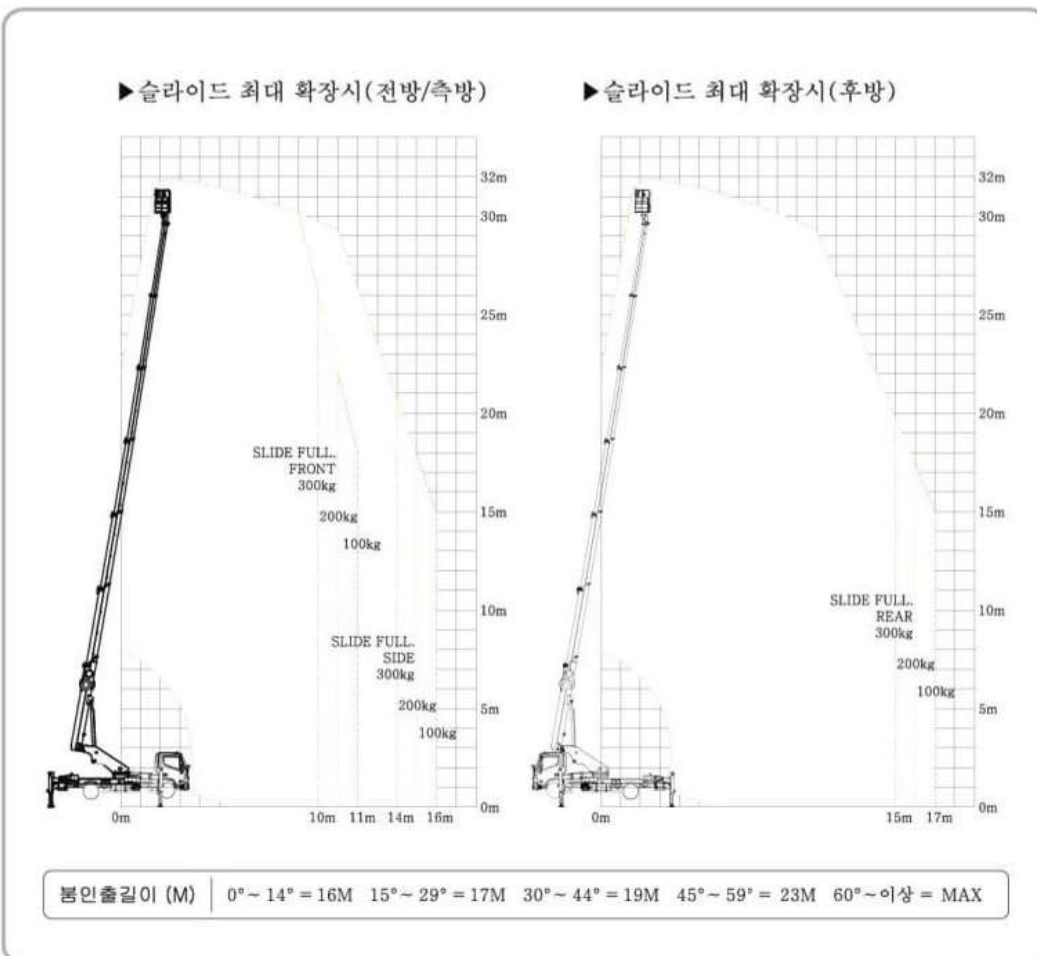
- Max. working height is 32m and mounted on 8ton GVW truck.
- All of boom's extension & retraction are chain type for enhanced safety.
- Boom material is DOMEX700 steel to minimize drooping
- X-A type(patent) outrigger for wider safe outreach.
- Auto control system of work area restriction according to position of outrigger.

SPECIFICATION

JINWOO 320C SPECIFICATION				
Contents	Unit	Data	Remarks	
Mounting Truck	Ton	8 GVW	Long axle	
Max. Working Load	Payload	kg	300	
	Length	mm	7,480	
Product's Dimension (with Vehicle)	Height	mm	2,935	
	Width	mm	2,160	
Working Area	Max. Height	m	32	
	Max. Outreach	m/kg	15/300 ~ 17/100	
Platform	Dimension	mm	1,650 * 600 * 1,100	Basic
		mm	3,150 * 920 * 1,100	Extended
	Rotation Angle	deg.	720	max.
Boom	Type		Octagonal	
	Number of Booms		7	All Telescopic
	Extension		By Cylinder, Chain	
Turntable Rotation	Type		By Hydraulic reduction gear	
	Rotation Angle	deg.	350	limited
Hydraulic Pump Drive Type	Engine		P.T.O	
	Width	mm	5,900 Front & Rear	
Outrigger	Extension		By hydraulic Cylinder & Wire	
	Type		X - A	Patented
Valve control	Type		By lever	
	Remote control		Wireless	

Note : The above specifications are bound to change without prior notification for better operator's safety and due to changes in truck specifications.

WORK AREA DIAGRAM



AERIAL ELEVATING WORK PLATFORM
JINWOO 300A



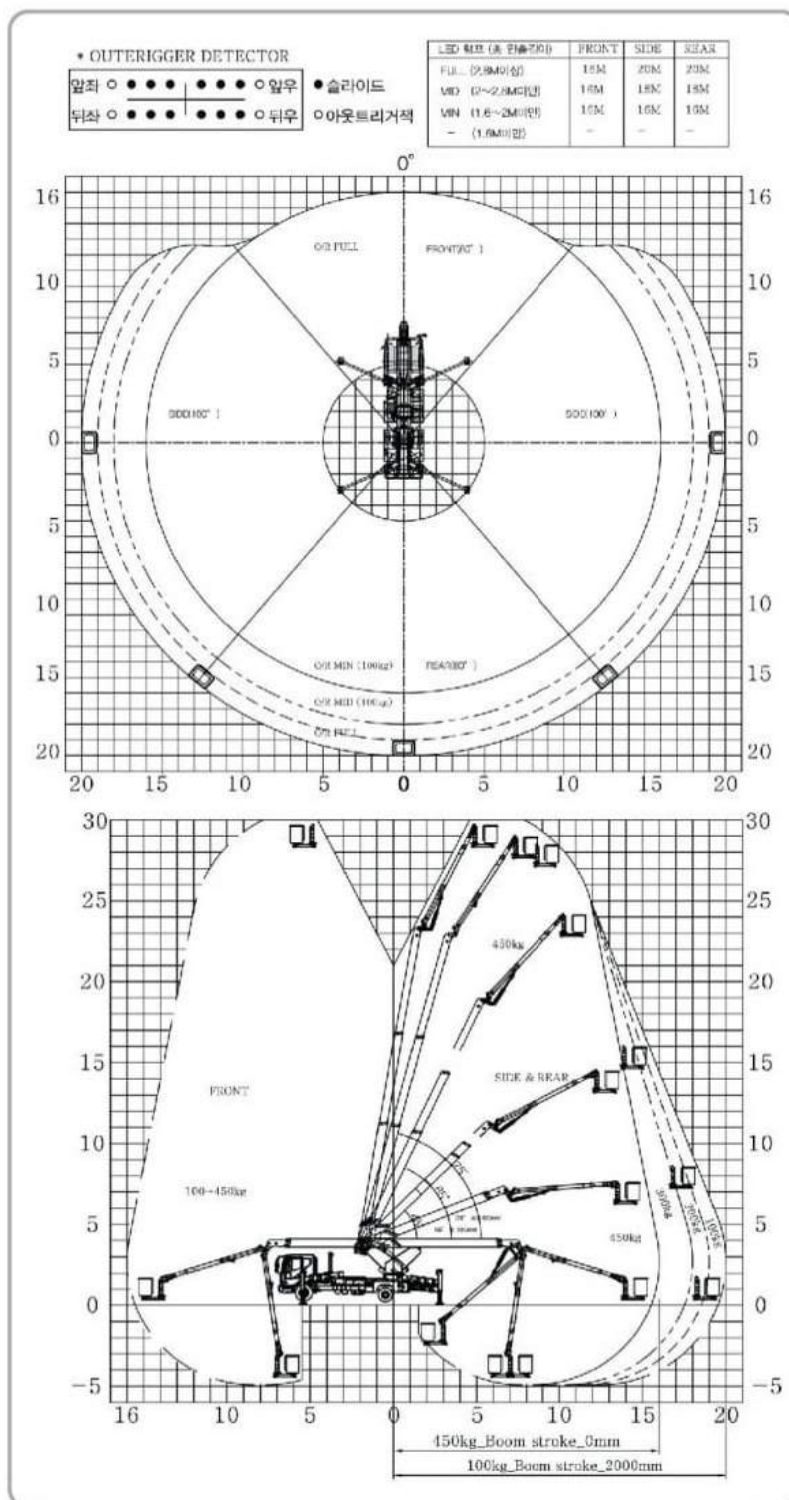
AERIAL ELEVATING WORK PLATFORM

JINWOO 300A

INSULATED BOOM & BUCKET FOR WORKING ON LIVE ELECTRIC WIRE

- X-A type strong outrigger for safe wider outreach.
- Possible to work on 30m height of communication lines, electric wires, HTV lines and telephone poles.
- Three interlocked boom and one articulating boom make easy to approach into intricate working space.

WORK AREA DIAGRAM



SPECIFICATION

JINWOO 300A SPECIFICATION			
Contents	Unit	Data	Remarks
Mounting Truck	Ton	16.5 GVW	ultra-long
Max. Working Load	Payload	kg	450
			Including 2 persons
Product's Dimension (with Vehicle)	Length	mm	10,180
	Height	mm	3,980
	Width	mm	2,495
Working Area	Max. Height	m	30
	Max. Outreach	m/kg	Rear/Side : 16/450, 20/100 Front : 16/450, 16/100
Platform	Dimension	mm	1,390*960*1,100
	Rotation Angle	deg.	360
Boom	Type		Rectangle
	Number of Booms		Three interlocked, one articulating
	Insulation	Volts	100,000
Turntable Rotation	Extension		By hydraulic Cylinder & Chain By Hydraulic reduction gear
	Rotation Angle		350
Hydraulic Pump Drive Type	Type	deg.	Limited
	Engine	mm	P.T.O
Outrigger	Width		5,940 Front 5,960 Rear
	Extension		By hydraulic Cylinder & Wire
	Type		X - A
Valve control	Type		Patented
	Remote control		By lever Wireless

Note : The above specifications are bound to change without prior notification for better operator's safety and due to changes in truck specifications.



AERIAL ELEVATING WORK PLATFORM
JINWOO 290CW

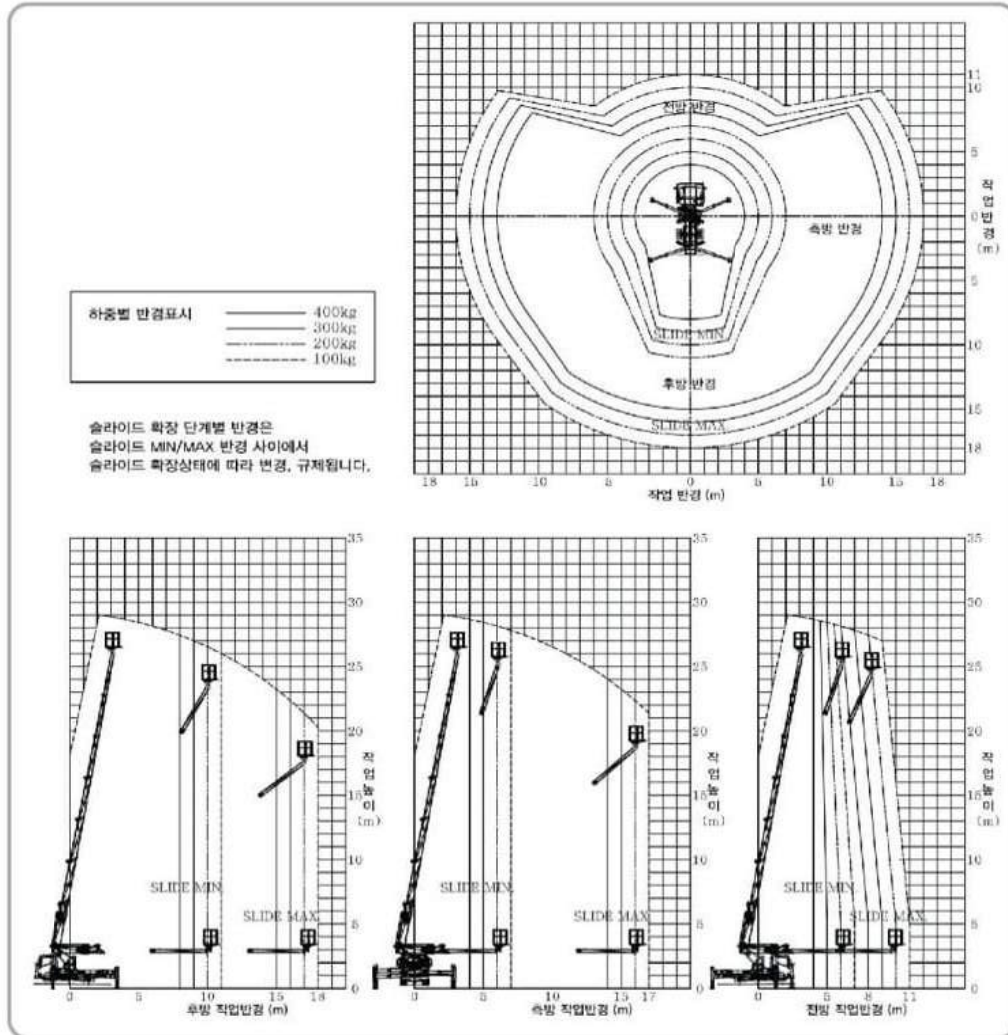


AERIAL ELEVATING WORK PLATFORM JINWOO 290CW

SUITABLE FOR NARROW APPROACH AND WORKING AREA

- Multi-purpose cargo handling is possible with attached winch.
- All of boom's extension & retraction are chain type for enhanced safety.
- Mounted on HYUNDAI 3.5ton (short axle) i.e. 8.5ton GVW truck.

WORK AREA DIAGRAM



SPECIFICATION

JINWOO 290CW SPECIFICATION				
Contents	Unit	Data	Remarks	
Mounting Truck		Ton	8.5 GVW	Short axle
Max. Working Load	Payload	kg	400	Including 2 persons
	Length	mm	5,870	Compact
Product's Dimension (with Vehicle)	Height	mm	2,995	
	Width	mm	2,080	
	Max. Height	m	28.5	
Working Area	Max. Outreach	m/kg	15/400 ~ 18/100	
	Dimension	mm	1,630 * 500 * 1,100	Basic
Platform	Dimension	mm	3,200 * 850 * 1,100	Extended
	Rotation Angle	deg.	720	max.
Boom	Type		Octagonal	
	Number of Booms		7	All Telescopic
	Extension		By Cylinder, Chain	
Turntable Rotation	Type		By Hydraulic reduction gear	
	Rotation Angle	deg.	350	limited
Hydraulic Pump Drive Type	Engine		P.T.O	
	Width	mm	5,130 Front 6,250 Rear	
Outrigger	Extension		By hydraulic Cylinder & Wire	
	Type		X - A	Patented
	Type		By lever	
Valve control	Remote control		Wireless	
	Winch	Optional	kg	400

Note : The above specifications are bound to change without prior notification for better operator's safety and due to changes in truck specifications.



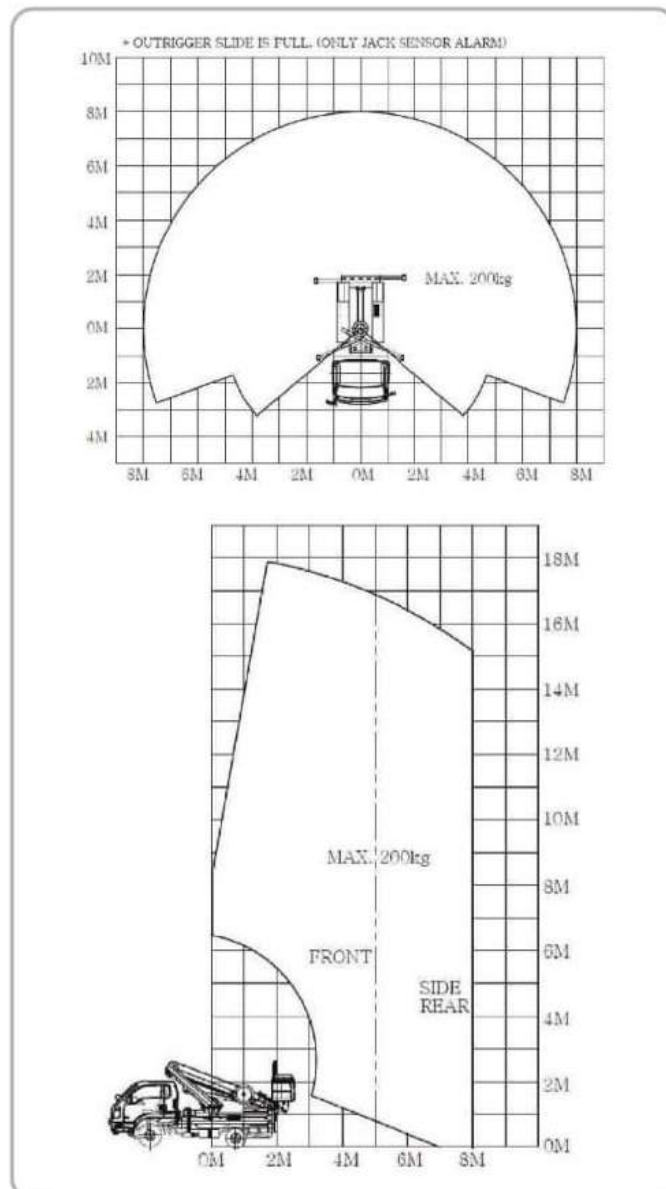
AERIAL ELEVATING WORK PLATFORM JINWOO 180T



HIGH LEVEL WORK CAPABILITY & EFFICIENCY WITH ALL CHAIN TYPE OF BOOM

- Suitable in the narrow working area. - Greater mobility with 1 ton truck
- Boom material is DOMEX700 steel to minimize drooping
- X-H type outrigger.
- All of boom's extension & retraction are chain type for safety.

WORK AREA DIAGRAM



SPECIFICATION

JINWOO 180T SPECIFICATION			
CONTENTS		Unit	Data
Mounting Truck			above 1 ton
Max. working height		m	18
Boom	Extension		By Cylinder, Chain
	Type		Hexagonal
	Number of Booms		5(Telescopic, interlocked)
Turntable Rotation	Material(Steel)		DOMEX700
	Rotation Angle	deg.	±140(limited)
Platform	Rotation type		By hydraulic motor/reduction gear
	Dimension	mm	2500(L)*1000(W)*1000(H)
Outrigger	Rotation angle	deg.	continuous
	Number of outrigger		4
Working Area	Type		X-H
	Max. Outreach	m/Kg	8 / 200(side)
Oil tank capacity		ℓ	50
Hydraulic Pump Drive Type	Engine		P.T.O
Boom	Type		BY lever
	Remocon		Wireless Remocon
Outrigger	Beam		Hydraulic type
	Jack		Hydraulic type

Note : The above specifications are bound to change without prior notification for better operator's safety and due to changes in truck specifications.

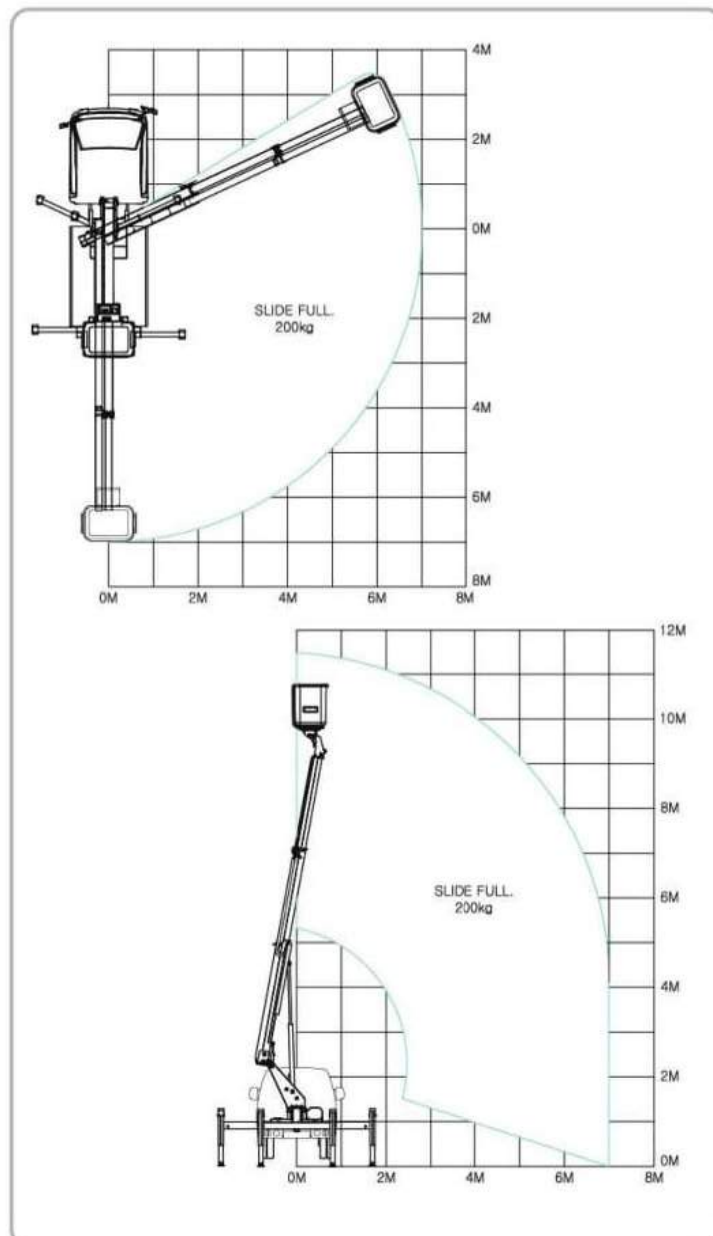
AERIAL ELEVATING WORK PLATFORM JINWOO 130



STRONG AND SAFE WITH ALL CHAIN TYPE OF BOOM

- One person is possible to work for telephone pole, electrical wire and communication line.
- X-H type outrigger.
- All of boom's extension & retraction are chain type for safety.

WORK AREA DIAGRAM



SPECIFICATION

JINWOO 130 SPECIFICATION				
Contents	Unit	Data	Remark	
Mounting Truck		Tom	Kia 1 ton	
Max. Working Load	Cargo	Kg	200	Included one persons
	Length	mm	5,515	
Product's Dimension (with Vehicle)	Height	mm	2,380	
	Width	mm	1,745	
	Max. Height	m	10	To the bottom of platform
Working Area	Max. Outreach	m/kg	7 / 200	Rear & Sides
	Dimension	mm	1090*790*960	Basic
Platform		mm	-	Extended
	Rotation Angle	deg.	Fixed	
Boom	Type		Rectangular	
	Number of Booms		3	All Telescopic
	Extension		By Cylinder, Chain	
Turntable Rotation	Type		By Hydraulic reduction gear	
	Rotation Angle	deg.	230	limited
Hydraulic Pump Drive Type	Engine		P.T.O	
	Width	mm	Front/Rear : 3,100 Left/Right : F-3,210, R-3,400	
Outrigger	Extension		By hydraulic Cylinder	
	Type		X - A	Patent
	Type		By lever	
Valve control	Remote control		Not	

Note : The above specifications are bound to change without prior notification for better operator's safety and due to changes in truck specifications.

AERIAL ELEVATING WORK PLATFORM JINWOO 100

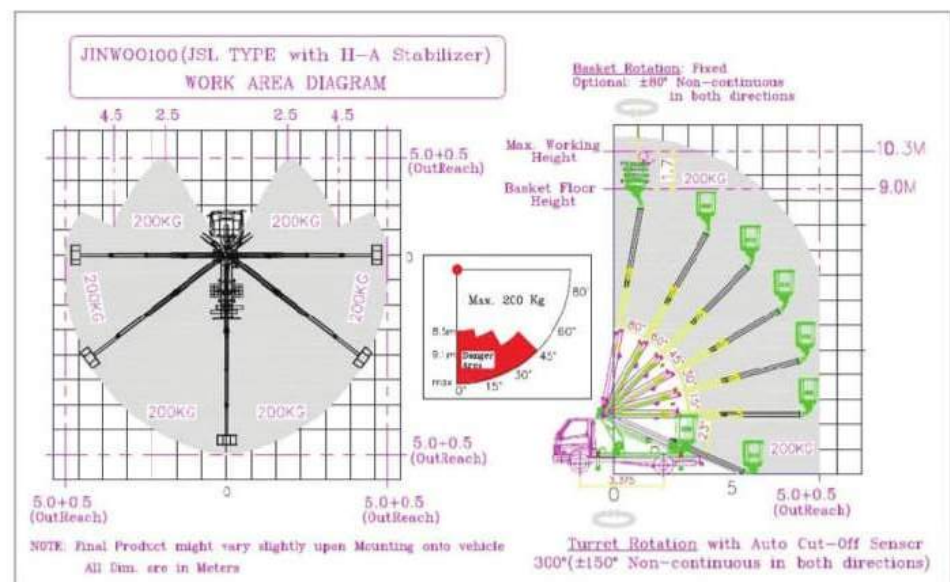


SPECIFICATION

Vehicle Mounted Aerial Access FRP Basket ~ Telescopic type(straight)			
DESCRIPTION	UNITS	SPECIFICATIONS	
PRODUCT'S NAME	-	JINWOO 100	
MANUFACTURER	-	JINWOO SMC. CO., LTD.	
PERMISSIBLE MOUNTING VEHICLE	By Client	4x2, Euro3 120HP ENGINE, 4.5Tons GVW, 24V Battery Power (MIN. WHEEL BASE=3,375mm)	
PRODUCT'S DIMENSION (WITHOUT VEHICLE)	STOWED LENGTH	mm	4,100
	STOWED WIDTH	mm	1,960
	STOWED HEIGHT	mm	2,370
	WEIGHTAGE	Kg	1,300
TELESCOPIC BOOM	No. of BOOMS	EA	2/3 (ALL TELESCOPIC)
	LENGTH OF FIRST BOOM	mm	3,310
TURRET or TURNTABLE	ROTATION	DEG.	280 (±140 NON-CONTINUOUS)
	TYPE	-	HYDRAULIC
OUTRIGGER SLIDES	No. of SLIDES	-	TOTAL 2 (1 fixed)
	SLIDE STROKE	mm	850 (FRONT & REAR)
	MAX. OUTREACH	mm	3,600 (FRONT & REAR)
OUTRIGGER JACKS	STROKE LENGTH	mm	450
FRP INSULATED BASKET (NOT FOR WORKING WITH LIVE ELECTRICITY LINES)	FRP	mm	1090(L)*960(H)*800(W)(for 2 workmen)
	FRP INSULATION	Volts	20,000
	ROTATION	DEG.	± 80° NON-CONTINUOUS
CONTROL SYSTEM	BASIC TYPE	-	HYDRAULIC LEVERS (OUTRIGGERS and BOOM) AT GROUND STATION
	ELECTRONIC CONTROL BOX	-	WIRED CONTROL UNIT (OPTION FOR BOOM and BASKET ONLY) AT BASKET
MAX. WORKING HEIGHT		M	10.5
MAX. OUTREACH (REAR & SIDES)		M	6.3
MAX. WORKING LOAD (PAYLOAD)		Kg	200
HYDRAULIC OIL TANK CAPACITY		L	30
SAFETY DEVICES		-	EMERGENCY STOP of HYDRAULIC SYSTEM, CYLINDER CHECK VALVES, PLATFORM SELF LEVELING SYSTEM, WARNING & ALARM SPEAKER, BOOM OVER EXTENSION ALARM SENSOR etc...

Note : The above specifications are bound to change without prior notification for better operator's safety and due to changes in truck specifications.

WORK AREA DIAGRAM



MOBILE KITCHEN TRUCK JINWOO MKT8000

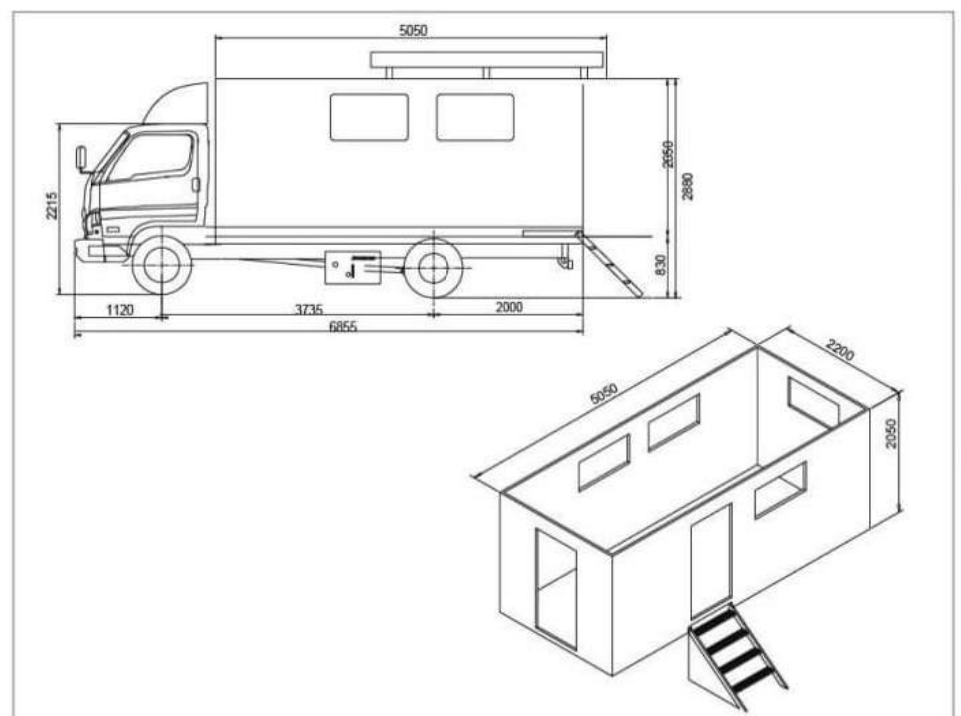


PART LIST

PART LIST					
NO	NAME	MAKER	SPEC	UNIT	QTY
1	TRUCK	HYUNDAI MOTOR	HD78, EURO3	EA	1
2	CONTAINER		5.05x2.14x2.05	EA	1
3	CANOPY		3000*2000	EA	2
4	REFRIGERATOR		256L	EA	1
5	RATIONING TABLE BEFORE COOK		1200*600*800	EA	2
6	DOUBLE WASH BASIN		900*700*800	EA	1
7	RUBBISH BIN		50 LITER	EA	1
8	WATER TANK		400 LITER	SET	2
9	WATER PUMP	HANIL	PH-255A	EA	2
10	WASTE-WATER TANK		200L	EA	1
11	RICE BUCKET		100L	EA	4
12	SHELF FOR CONTAINING SOAP		1000*600*1800	EA	1
13	RICE COOKER TABLE		1600*600*1000	EA	1
14	RICE COOKER	RINNAI	RR-55D	EA	3
15	GAS FIELD-RANGE	TWO BURNERS	1200*850*800	EA	1
16	SOUP COOKER	RINNAI	RSK-300A	EA	1
17	FOOD COOKER			EA	1
18	FRYING PAN		5000	EA	1
19	FOOD TRAY		370*290*20	EA	120
20	MUG CUP			EA	120
21	CHOPSTICKS, SPOONS			EA	120
22	DRINKING WATER TANK		30L	EA	2
23	OVERHEAD KITCHEN CABINET		1200*350*550	EA	2
24	GAS DETECTOR			EA	1
25	SCOOP		BIG	EA	1
26	SCOOP		SMALL	EA	1
27	RICE PADDLE			EA	1
28	CRUET			EA	1
29	PLASTIC BASKET			EA	1
30	EXHAUST FAN			EA	2
31	FIRE EXTINGUISHER			EA	2
32	CEILING FAN FOR COOLNESS		16 INCH	EA	1
33	LIGHTENING CONDUCTOR			EA	1
34	INVERTER		DP-2000A	EA	1
35	MARS LIGHT		TBD-19H	EA	1
36	WINDOW		1000*600	EA	3
37	STAIRS		3 STEP	EA	2
38	GENERATOR	HONDA	ES7500	EA	1
39	ELECTRICAL SYSTEMS			LOT	1

Note : The above specifications are bound to change without prior notification for better operator's safety and due to changes in truck specifications.

DRAWING



MINI BREAKER (DEMOLITION MACHINE) JINWOO B010E / B020D



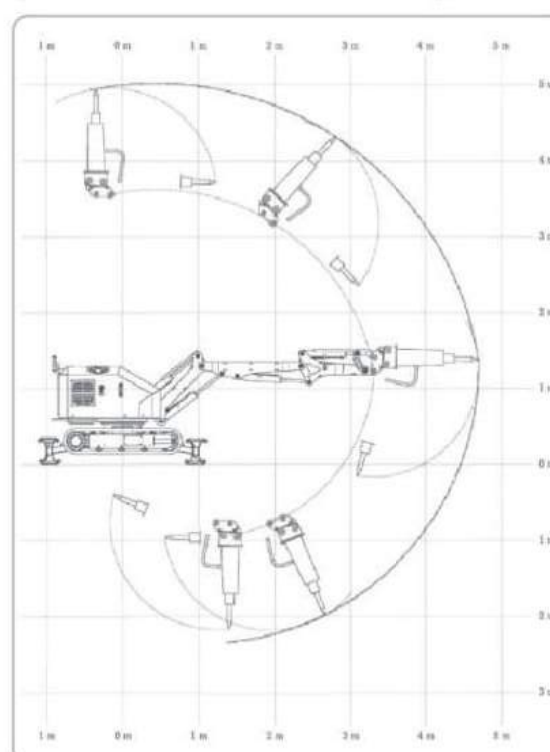
MAX. LIFTING LOAD IS 3.5 TON ! MAX. WORKING HEIGHT IS 4M !
 – Possible to work in the narrow area by wireless remote control system

SPECIFICATION

		JINWOO B010E	JINWOO B020D	
Contents	Unit	Data	Data	
Gross weight (Breaker included)	kg	1188	2100	
Product's Dimension (Breaker included)	Length	mm	2360	
	Height	mm	1440	
	Width	mm	780	
Working Area (Based on rotation center and ground)	Front direction	mm	3800	
	Upward direction	mm	4100	
	Downward direction	mm	1600	
Operation specs.	Rotation radius	deg	124(left/right)	360(continuous)
	Rotation speed	deg/s	28	12.41
	Driving speed	m/s	0.4	0.7
	Gradability	deg	30	30
Boom system	No. of booms	no.	3	3
	Operations by	Cylinder	Cylinder	Cylinder
Attachments *Breaker-basic *Bucket/crusher-option	No. of cylinders	no.	4	4
	Breaker(impact energy)	Joule	180	447
	Bucket(capacity)	m ³	option	0.073
Hydraulic system	Crusher(opening width)	mm	option	372
	Pump flow type	l/min	42	59
	Pump type		Gear pump	Piston pump
	Operation pressure	bar	170	140
Main hydraulic control valve	Oil tank capacity	ℓ	-	20
	No. of valves	no.	10	10
Wireless remocon	Control type	Portable wireless(Radio)	Portable wireless(Radio)	
	Transceiving range	m	above 50	above 50
	No. of channel	no.	11	8(A~H)
Engine drive system	Function		On/off, Control	On/off, Control
	No. of cylinders	no.		3
	Displacement	cc		1007
	Fuel			Diesel
	Cooling system			by water
	Starting type		Cable	Auto-electric
	Rated output	kW	11(15)	22
	Input voltage		380VAC(3 phase 4 wire)	
	No. of rated output	rpm		2800
	No. of max. rotation	rpm		3000
Fuel Tank	ℓ		15	



WORK AREA DIAGRAM



Note : The above specifications are bound to change without prior notification for better operator's safety and due to changes in truck specifications.

SELF PROPELLED BOOM LIFT JINWOO BR400

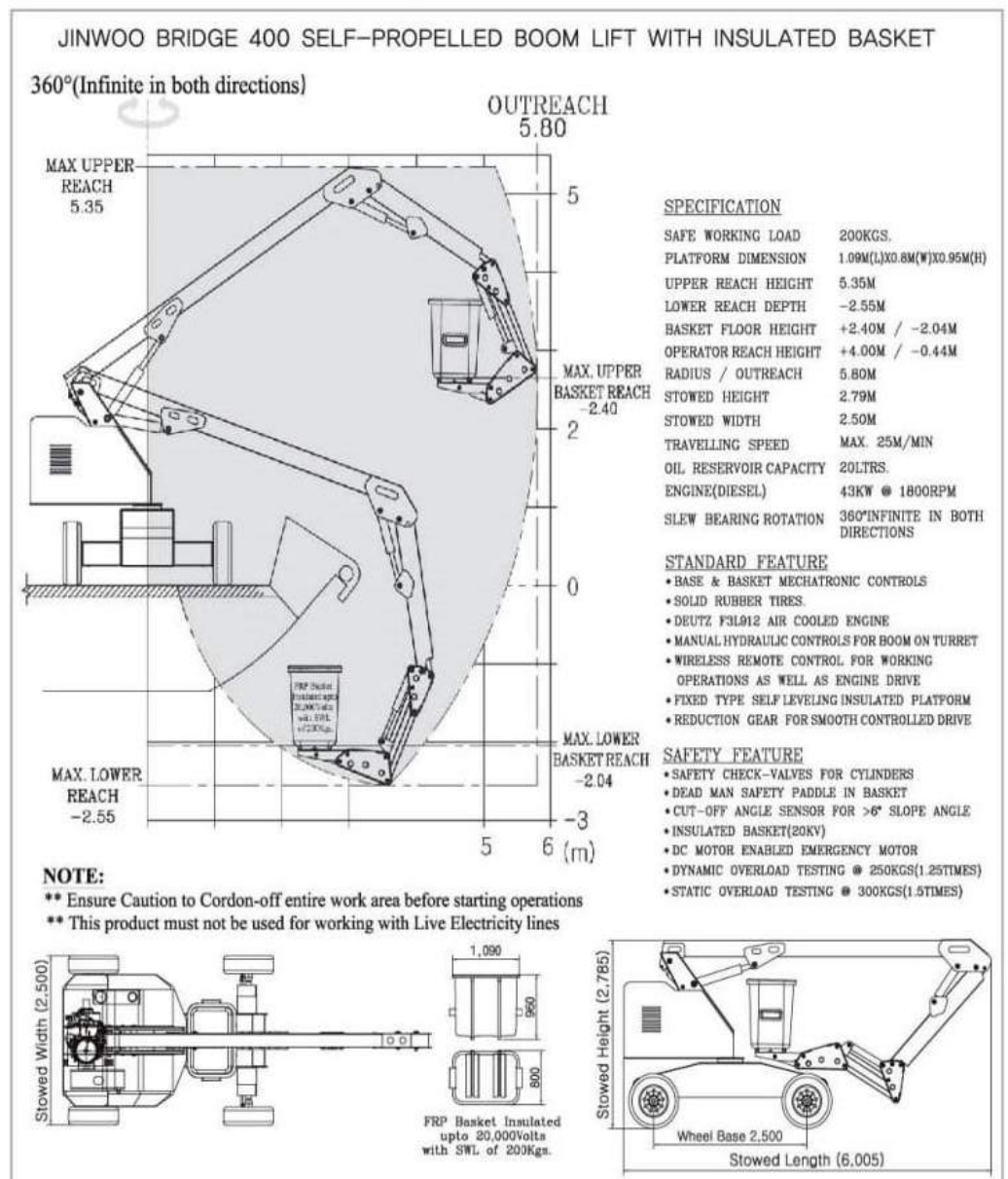


SPECIFICATION

Vehicle Mounted Aerial Access FRP Basket ~ Telescopic type(straight)			
DESCRIPTION		UNITS	JINWOO BR400
Working Load	Load	kg	200 (Operator included)
Vehicle	Overall Length	mm	6,001
	Overall Height	mm	2,782
	Overall Width	mm	2,500
Working Area	Height	m	+2.73 / -2.04
	Work radius	m	5.8
Platform (FRP)	Size	mm	1090*800*960
	Type	-	Rectangular
Boom	Singular Booms	-	1 step + Articulating Boom + Link
	Operating Type	-	Hydraulic Cylinder
	Turn Table Rotation	Type	-
Turn Table Rotation	Rotation Angle	degree	360 (Limitless)
	Hydraulic Pump Driving Type	Engine	kw/rpm
Valve Control	Type	-	Lever type (on emergency)
	Remote Control	-	Wired

Note : The above specifications are bound to change without prior notification for better operator's safety and due to changes in truck specifications.

WORK AREA DIAGRAM



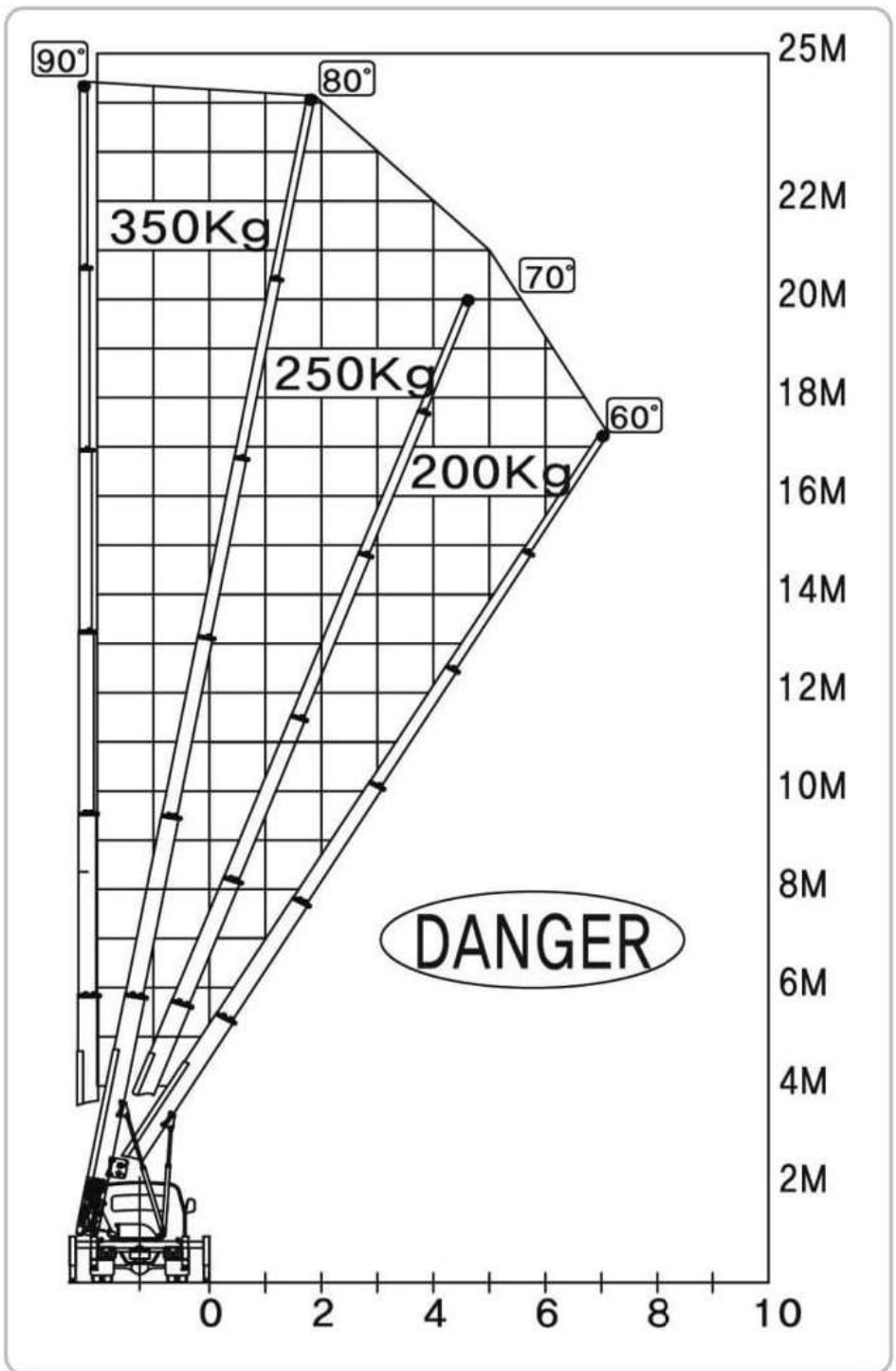
LADDER LIFT TRUCK
JINWOO L250



LADDER LIFT TRUCK JINWOO L250

- Strong outrigger frame.
- Bending & Noise in Ladders is minimal.
- Convenient lifting and supply of materials.

WORK AREA DIAGRAM



SPECIFICATION

JINWOO L250 SPECIFICATION			
Contents	Unit	Data	
Mounting Truck	ton	4.5 GVW	
Max. working floor of building	fl	9	
Max. Height	m	25	
Product's Dimension (with Vehicle)	Length	mm	5,200
	Height	mm	1,740
	Width	mm	2,600
Power	Engine	P.T.O	
Turntable	Rotation Angle	deg.	Left/Right : 135
	Type	By hydraulic reduction gear	
Boom	Number of booms	7	
	Material	High tension, aluminum alloyed	
	Extension	By wire main/supplementary : 8mm Basic : 1,300*,1,000*520 Extended : 2,220*,1,470*70	
Lifting Conveyance	Dimension	mm	Basic : 1,300*,1,000*520 Extended : 2,220*,1,470*70
	Angle control	by one touch	
	Max. working load	kg	350
Max. operation speed	Booms extension/retraction	m/m	within 24
	Type	H-TYPE	
Outrigger	Extension	Slide : manual Jack : by hydraulic cylinder	
	Max. Extension	mm	3,650
	Type	Dial(wired, wireless)	
Remote control	Function	Automatic conveying	
	Safety system	Hydraulic check valve, Solenoid valve, Emergency stop, Sensor of over load, Sensor of speed reducing area, Warning system of max. height, Protection system for over turn.	

Note : The above specifications are bound to change without prior notification for better operator's safety and due to changes in truck specifications.



HIGH(SKY) LANDER
JINWOO H3535



HIGH (SKY) LANDER JINWOO H3535

MAX. LIFTING LOAD IS 3.5 TON ! MAX. WORKING HEIGHT IS 37M !

- Possible to drive at high speed because of mounting truck.
- Possible to load mini forklift inside super-structure behind vehicle cabin.

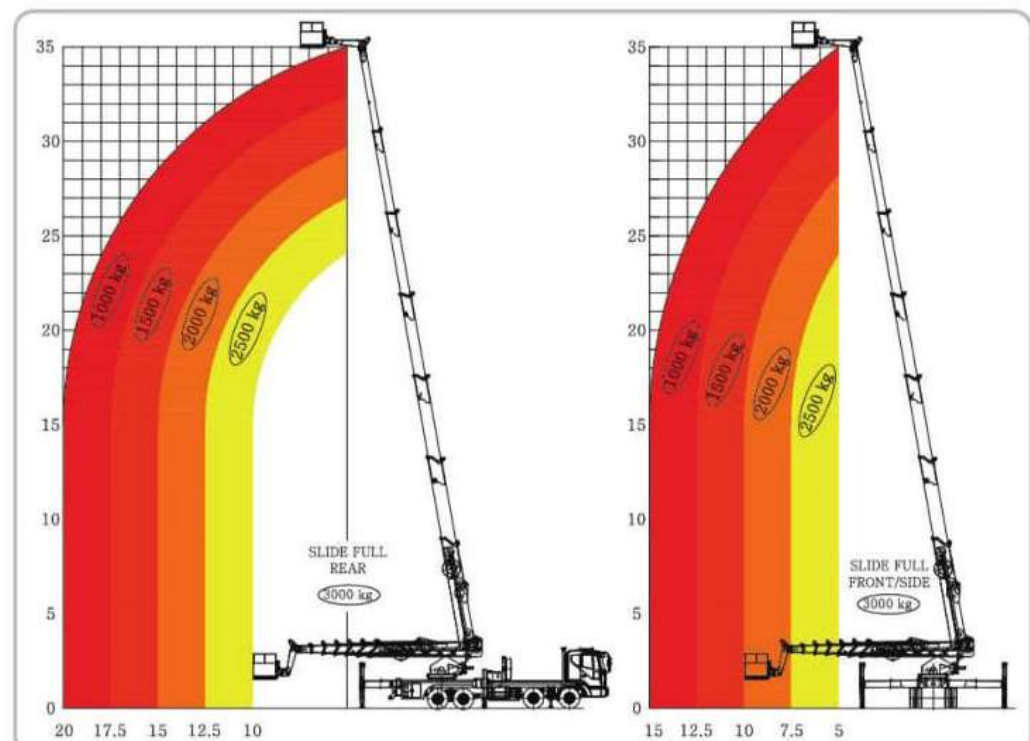
SPECIFICATION



JINWOO H3535 SPECIFICATION			
Contents	Unit	Data	Remarks
Mounting Truck	Ton	36 GVW	8X4 Axle
Working capability	Load	kg	3,000
			Including 2 persons
Product's Dimension (with Vehicle)	Length	mm	12,550
	Height	mm	3,970
	Width	mm	2,500
Working Area	Height	m	37
	Radius	m/kg	10/3,000 ~ 20/1,000
Platform	Size(basic)	mm	2,200*1,200*700
	Size(extended)	mm	2,120*1,120*1,160
	Tilt angle	deg.	60
Boom	Shape		Square/round corner
	No. of booms	no.	6
	Extrusion type		By 2 cylinder, chain linked
Turntable Rotation	Type		Hydraulic
	Angle	deg	360
Hydraulic Pump Drive Type	Engine		P.T.O
Outrigger	Width	mm	6,740 Front, 7,840 Rear
	Extension type		By hydraulic Cylinder, wire
	Shape		H-X Type
Valve control	Type		By lever (in emergency)
	Remocon		wired, wireless

Note : The above specifications are bound to change without prior notification for better operator's safety and due to changes in truck specifications.

WORK AREA DIAGRAM



DEMOLITION WATER CANNON FIREFIGHTING VEHICLE JINWOO JWF210 / JWF210A

JWF210
Korean procure identification no.
22945453

JWF210A
Korean procure identification no.
23162471



Remote controlled and suitable for fire-fighting in special structure.

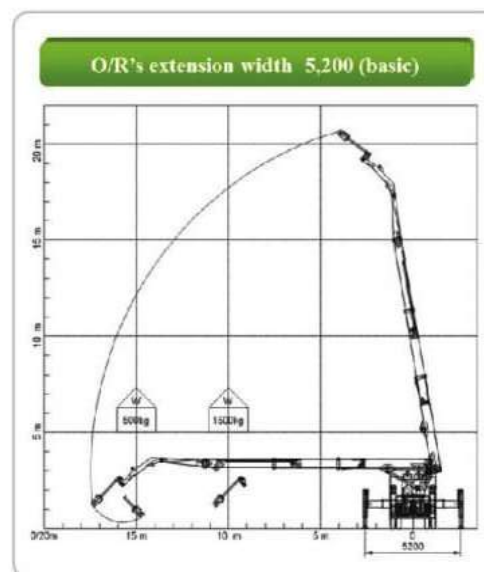
- Suitable for fire-fighting in chemical factory by diluting noxious chemical materials
- Possible to enter into nuclear containment building and plant built with sandwich panel by destruction nozzle.
- Possible to penetrate into steel sheet(4mm), concrete block(160mm), tempered glass(33mm)
- Possible to remove any obstacle which is below 1.5ton by exchanging nozzle with heavy material carrying device.
- Possible to safely operate this equipment 80m away from the fire-fighting area by the wireless remote control system.
- Special optional CAF (Compressed Air Foam) System.

SPECIFICATION

Contents		Unit	JWF210	JWF210A
Mounting Truck		Ton	26 GVW	29.5 GVW
Dimention	Length	mm	9,945	10,090
	Width	mm	2,495	2,495
	Height	mm	3,900	3,790
GVW		kg	24,620	24,970
Scope of work	Height of water spraying	m	21	21
Piercing nozzle	water sparying	ℓ/min	4,500	4,500
Power of destruction	Steel plate	mm	4	4
	Concrete block	mm	160	160
Fire pump		ℓ/min	5,300	5,300
Water tank		ℓ	1,000	2,000
Foam tank		ℓ	180	400
Outrigger	Type		H/X Type	Basic4 (H type)
	Withdrawal method		Hydraulic cylinder	Hydraulic Cylinder
	Extended width	m	Basic 5.2 (Extended 6.5)	Basic 5.2 (Extended 6.5)
Boom	Levelling		Auto	Auto
	Lifted angle of boom	degrees	80	80
Lifting capacity	Rear	ton	1	1
	Side	ton	0.5	0.5
	Returning location	ton	1.5	1.5
Turn table	Rotation	degrees	Continuous	Continuous
Articulating boom	Rotation	degrees	110(left / right)	110 (Left / Right)
	Foam spraying		Auto	Auto
System	Boom containment		Auto	Auto
	Wireless remote control	m	80	80
Direct, Spray water Automatic Conversion System	Wireless remote control		Automatic switching	Automatic switching

Note :The above specifications are bound to change without prior notification for better operator's safety and due to changes in truck specifications.

WORK AREA DIAGRAM



WORKING PHOTOS OF VARIOUS FIELD



AML SYSTEM



WARNING LAMP WITH 3 COLORS



BOOM'S ANGLE SENSOR



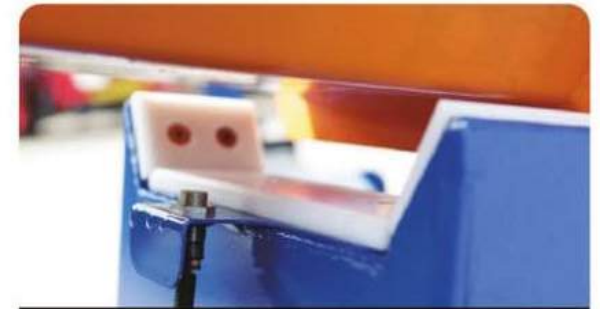
RECEIVER OF REMOTE CONTROLLER



MAIN CONTROL PANEL BOX



BOOM'S LENGTH SENSOR



BOOM OUTRIGGER INTERLOCK SENSOR



AML CONTROL BOX



PLATFORM'S LOADING CAPACITY IS 400KG INCLUDING 3 PERSONS



OUTRIGGER POSITION INDICATOR



OUTRIGGER LENGTH INDICATOR



TOUCH-SCREEN DISPLAY COLOR MONITOR



EMERGENCY STOP/ENGINE START / RPM / PTO SWITCHES



HYDRAULIC OIL COOLER



DC EMERGENCY PUMP



PAYLOAD LIMITER SENSOR



220V A/C POWER SOCKET PLATFORM



GROUND STATION CONTROL WITH OPERATOR SEAT



TURRET/BOOM ROTATION SENSOR

EXPORTED ONLY MACHINE & MOUNTED ON LOCAL TRUCK

Machine only



Machine Delivery



Local Mounting



At client site after mounting





 JINWOO SMC CO., LTD.

Address : #353 Sugam-Ro, Chunpo-myun, Iksan-City,
Jeollabuk Province, Republic of Korea

Tel. +82-63-838-2529 Fax. +82-63-838-2527

Web-site : www.jinwoosmc.com

E-mail : jinwoosmc1@jinwoosmc.com
jinwoosmc4@jinwoosmc.com