

MC2016-Ver.4

MAIN CATALOGUE

# SELUX

NC TOOLING SYSTEM

FOR MACHINING CENTER



Sekwang co., Ltd, as a manufacturer specialized in the production of machining center tool has pursued customer emotion through a competitive technology and quality. Also, we will try constantly to develop 21th century Tooling System through persistent technical improvements with new challenge and target named Global Market Leader.

(주) 세광은 머시닝센터 툴 전문 메이커로서  
기술경쟁력, 품질경쟁력을 통하여 고객 감동을 추구하는 서비스로  
Global Market Leader 기업 달성의 새로운 도전과 목표를 향하여 지속적인  
기술 혁신을 통한 21세기 툴링 시스템 개발을 위해 부단히노력할 것입니다.







## COMPANY HISTORY

- |                                       |   |
|---------------------------------------|---|
| 1979. 04 세광정밀 설립                      | Mar, 1979 Established Sekwang Precision Manufacture.    |
| 1986. 04 Straight Collet 생산           | Apr, 1986 Products Straight Collet.                     |
| 2001. 05 Tooling System 생산            | May, 2001 Products Tooling System.                      |
| 2003. 10 부천공장 이전                      | Oct, 2003 Moved in Bucheon Factory.                     |
| 2007. 04 (주)세광으로 상호변경                 | Apr, 2007 Changed the firm name as Sekwang co., Ltd     |
| 2008. 05 SC Collet 개발 생산              | May, 2008 Developed & Produced SC Collet.               |
| 2009. 12 ISO/TS 16949 : 2009 인증취득     | Dec, 2009 Acquired ISO/TS 16949 : 2009 certificate.     |
| 2010. 02 HSK Tooling System 개발생산      | Feb, 2010 Products HSK Tooling System.                  |
| 2011. 05 연구소설립                        | May, 2011 Estdished Laboratory.                         |
| 2011. 09 SELUX 상표등록                   | Sep, 2011 Register SELUX Brand.                         |
| 2012. 06 현공장으로 확장 이전                  | June, 2012 Moved in extended factory.                   |
| 2014. 04 국내/외 전시회 출품시작                | Apr, 2014 Join the Local and oversea exhibition.        |
| 2014. 12 GBT 이면구속 Tooling System 개발생산 | Dec, 2014 Products GBT two face contact Tooling System. |
| 2015. 04 열박음척 개발생산                    | Apr, 2015 Products SHRINK FIT Tooling System.           |

# INDEX

## NC TOTAL TOOLING SYSTEM SELUX

### HYDRAULIC CHUCK



High Precision Run-out Accuracy

D..... p132

Clamping Range :  
 $\varnothing 3,0 \sim \varnothing 32,0$

GBT SHANK .....	18,19
BT SHANK .....	40,41
HSK SHANK .....	78,79
SK SHANK .....	96

### MILLING CHUCK



Powerful Chucking Force

MAX  
520kg f.m

K..... p134

Clamping Range :  
 $\varnothing 3,0 \sim \varnothing 42,0$

GBT SHANK .....	20
BT SHANK .....	42,43
HSK SHANK .....	80
SK SHANK .....	97
NT/MT SHANK .....	108~110

### HIGH SPEED MILLING CHUCK



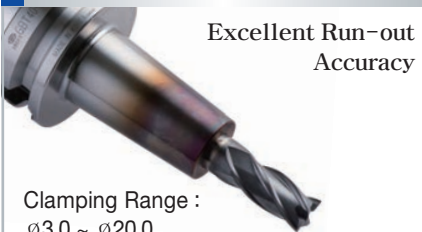
Excellent Run-out Accuracy

K..... p134

Clamping Range :  
 $\varnothing 3,0 \sim \varnothing 32,0$

GBT SHANK .....	21
BT SHANK .....	44
HSK SHANK .....	81

### SHRINK FIT HOLDER



Excellent Run-out Accuracy

Clamping Range :  
 $\varnothing 3,0 \sim \varnothing 20,0$

GBT SHANK .....	22~23
BT SHANK .....	46~47
HSK SHANK .....	82~84
SK SHANK .....	98
ST SHANK .....	120~121
ACCESSORY .....	145

### SSK COLLET CHUCK



SC..... p138

Clamping Range :  
 $\varnothing 1,0 \sim \varnothing 25,4$

GBT SHANK .....	24~25
BT SHANK .....	48~49
HSK SHANK .....	85
SK SHANK .....	99
ST SHANK .....	118~119

### HIGH SPEED GSK CHUCK (P CLASS)

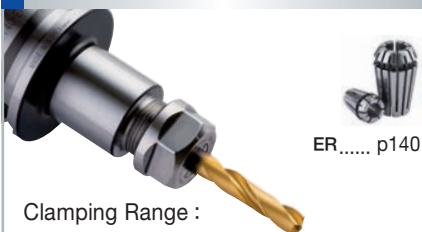


SC..... p138

Clamping Range :  
 $\varnothing 1,0 \sim \varnothing 25,4$

GBT SHANK .....	26~27
BT SHANK .....	50~51
HSK SHANK .....	86~87

### ER COLLET CHUCK

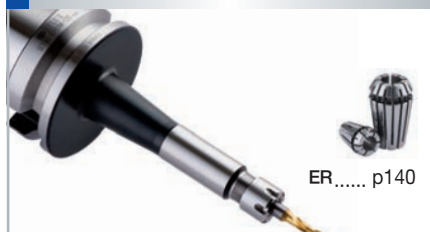


ER..... p140

Clamping Range :  
 $\varnothing 0,5 \sim \varnothing 26,0$

GBT SHANK .....	28
BT SHANK .....	52,53
HSK SHANK .....	88
SK SHANK .....	100
NT/MT SHANK .....	111
ST SHANK .....	122~123

### ER SLIM COLLET CHUCK



ER..... p140

Clamping Range :  
 $\varnothing 0,5 \sim \varnothing 16,0$

BT SHANK .....	54
ST SHANK .....	124

### NC DRILL CHUCK



Clamping Range :  
 $\varnothing 0,3 \sim \varnothing 13,0$

GBT SHANK .....	29
BT SHANK .....	55
HSK SHANK .....	89
SK SHANK .....	101
NT/MT SHANK .....	114
ST SHANK .....	126

# INDEX

## NC TOTAL TOOLING SYSTEM SELUX

### TAPPING CHUCK



TCA... p137

Clamping Range :  
M3 ~ M36

GBT SHANK .....	30
BT SHANK .....	56
HSK SHANK .....	90
SK SHANK .....	102
ST SHANK .....	127

### SIDE LOCK HOLDER



Clamping Range :  
ø6.0 ~ ø42.0

GBT SHANK .....	31
BT SHANK .....	57~60
HSK SHANK .....	91
SK SHANK .....	103
NT/MT SHANK .....	114

### JACOBS TAPER ARBOR



BT SHANK .....	62
SK SHANK .....	102

### MORSE TAPER HOLDER



■ for Morse taper shank with tang.

**TAPER 접착을  
80% 이상 진동없음.**

GBT SHANK .....	33
BT SHANK .....	63,64
HSK SHANK .....	92
SK SHANK .....	105

### FACE MILL ARBOR



GBT SHANK .....	34~36
BT SHANK .....	65~71
HSK SHANK .....	93~94
SK SHANK .....	106
NT/MT SHANK .....	115~116
ST SHANK .....	128~129

### PRO MILL ARBOR



GBT SHANK .....	37
BT SHANK .....	72
SK SHANK .....	104
ST SHANK .....	130

### SIDE CUTTER ARBOR



GBT SHANK .....	38
BT SHANK .....	73

### MOLD SIDE LOCK HOLDER



Clamping Range :  
ø3.0 ~ ø32.0

GBT SHANK .....	32
BT SHANK .....	61

### SQUARE BORING BAR



Boring Range :  
ø25.0 ~ ø260.0

BT SHANK .....	75~76
----------------	-------



# INDEX

## NC TOTAL TOOLING SYSTEM **SELUX**

### GYRO CHUCK



※ CNC 편심조정!!

Clamping Range :  
∅0.5 ~ ∅16.0

ST SHANK ..... 125

### FLOATING ER TAP CHUCK



Clamping Range :  
∅0.5 ~ ∅20.0

※ CNC 선반 TAP작업시 능력 UP!!

ST SHANK ..... 127

### TEST BAR



ACCESSORY ..... 142

### BLANK TOOL



ACCESSORY ..... 143

### SHRINK FIT MACHINE



ACCESSORY ..... 145

### TOOL SETTING STAND



ACCESSORY ..... 146

### ACCESSORY



SPINDLE CLEANER.... 147



HEIGHT PRESETER.... 148



PULL STUD BOLT ..... 150



ZOP-50 ..... 148



SPANNER.... 149



GH SPANNER 149



TOUCH POINT SENSOR 147



UNIVERSAL  
MAGNETIC BASE ..... 146

### D'ANDREA MODULAR BORING SYSTEM

BASIC HOLDER ..... 164-179



HSK-A



HSK-E



HSK-F



HSK-A



CAPTO



KM



SK FACE CONTACT



BT FACE CONTACT



DIN 69871



MAS403 BT



ST

### TS



**Rough**

D'ANDREA ..... 182-187

### TRD



**Rough/Semi finishing**

D'ANDREA ..... 188-191

### TRC



**Finishing**

D'ANDREA ..... 192-207

### TRM



**Super finishing**

D'ANDREA ..... 214-233

### TR-ELETTRA



**Super finishing**

D'ANDREA ..... 234-235

### BPS



**Large Bore boring  
Rough/Super finishing**

D'ANDREA ..... 236-245

# GBT TOOLING SYSTEM

Excellent Precision, Excellent Quality

**SELUX**  
NC TOOLING SYSTEM



	BT	GBT
BT 50	ø69.85	ø100
BT 40	ø44.45	ø63
BT 30	ø31.75	ø46

## Basic Concept

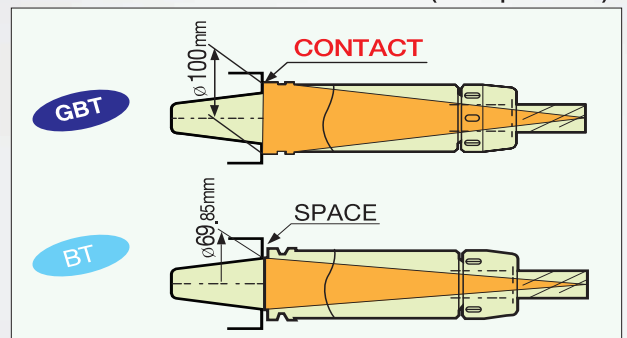
GBT 이면구속 시스템은 표준 BT타입을 기반으로한 가장최신 기술입니다.

The GBT Dual Contact System is based on the most current available standards in BT(JIS B6339).

일반 테이퍼 홀더는 게이지 라인의 직경을 기준으로 스피indle에 접촉되어 사용되지만 GBT 홀더는 플랜지 면의 직경을 기준으로 접촉되어 스피indle 장착에 기존 테이퍼의 홀더보다 우수한 내구성 및 가공성의 효과를 가지고 있습니다.

A conventional steep taper toolholder is supported on a reference diameter called the gauge face. On the contrary, a GBT toolholder is supported on the flange face, which brings remarkable improvement to rigidity.

## INCREASED CONTACT DIAMETER (Example of BT)



## Perfect Interchangeability

GBT는 일반 표준 스피indle의 장비에서 사용될 수 있습니다.

GBT toolholder can be used on existing standard machine spindles.

표준 툴 홀더들은 이면구속 스피indle에서 사용 될 수 있습니다.

Existing standard toolholders can also be used on dual contact spindles.

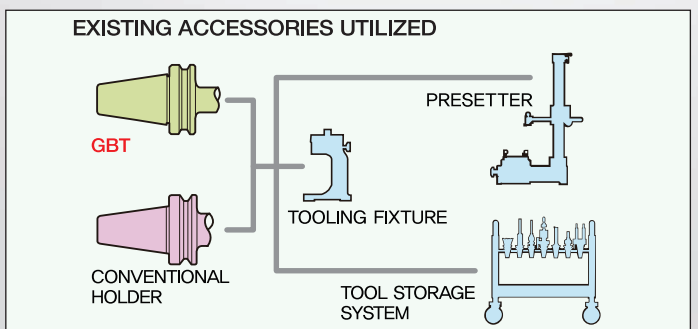
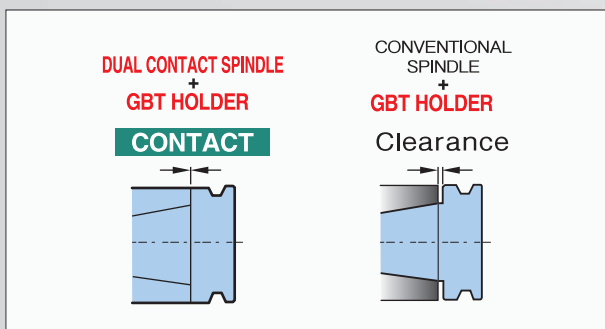
이러한 경우, 동시 접촉 즉 이면구속의 효과는 없습니다.

In this case, simultaneous contact cannot be attained.

다른 동시 접촉 시스템은 이면구속 툴 홀더, 툴프리셋터, 툴클램프 등의 별도의 약세사리들을 요구하지만 GBT 이면구속 스피indle들은 현재 사용중인 BT 타입의 약세사리들을 사용가능하며 사용중인 머신닝센터의 툴 메거진과 ATC를 개조할 필요 없이 사용가능합니다.

Although other simultaneous contact systems require exclusive new accessories, the dual contact spindle uses existing accessories such as a presetter and toolholder fixture.

It is not necessary to modify tool magazines and ATC devices of existing machines.





# HSK TOOLING SYSTEM

Excellent Precision, Excellent Quality

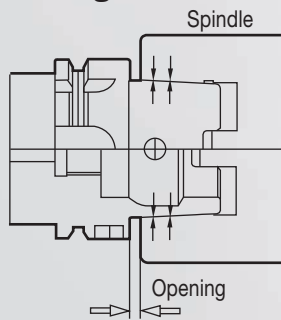
**SELUX**  
NC TOOLING SYSTEM



## HSK Shank perfect two-surface constrained system

### 2면 구속형 HSK Shank

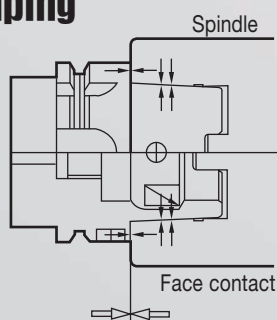
#### Connecting



Elastic deformation of taper makes flange surface closely contact the spindle.

Taper의 탄성변형이 Flange 단면에 Spindle에 밀착시킴

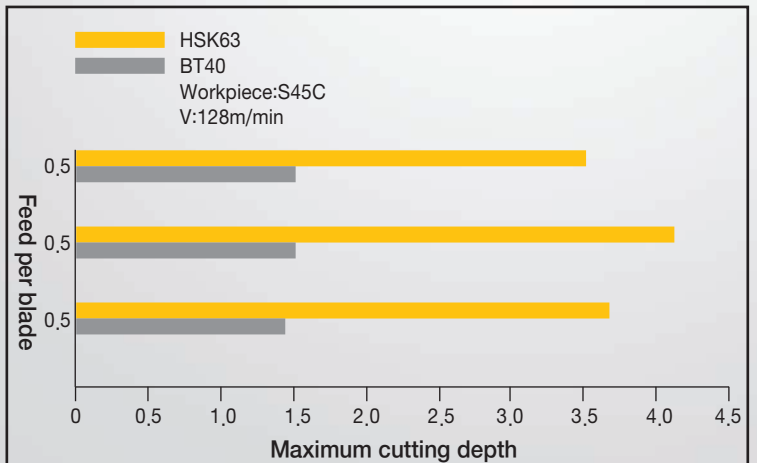
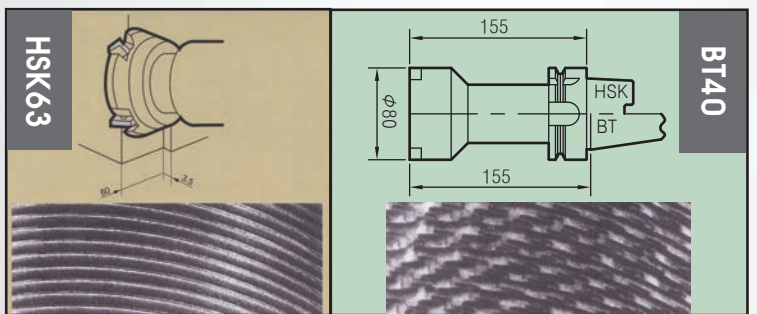
#### Clamping



## HIGH RIGIDITY AGAINST BENDING LOAD

Holder의 Taper가 Spindle의 형상 측면에 따라 유연하게 변경되므로 Spindle과 Holder 사이에 편심력이 없게 한다.

Two surface (taper and flange) constrained tool interface utilizing appropriate contact pressure distribution and elastic deformation of the taper has an extraordinary bending, strength and stand with heavy cutting with long projection length.



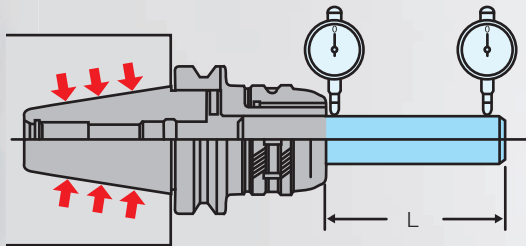
# MILLING CHUCK

Excellent Precision, Excellent Quality

**SELUX**  
NC TOOLING SYSTEM



## Excellent Runout Accuracy



3.5D 선단에서 5 $\mu$ m(T.I.R)이내의 흔들림 정도. 단면 밀착으로 진동을 흡수하여 최적의 절삭을 할수 있도록 제작되었습니다.

5 $\mu$ m(T.I.R) RUN-OUT at 3.5D away from shank nose.  
Two face contact cause to be the optimal cutting operation because of vibrational absorption.

## Clamping Torque Test Data

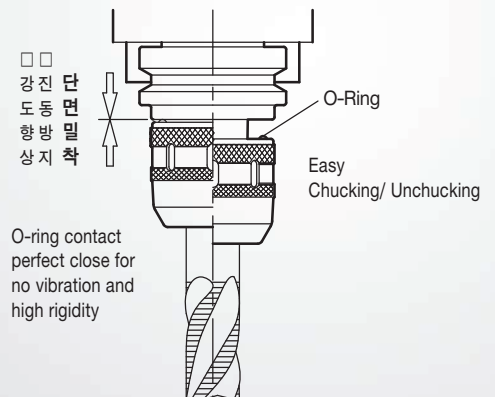
Model	Torque
	kg f.m
MC20	120
MC25	170
MC4032	250
MC5032	350
MC5042	500

(SKP)	When oil removed completely with thinner cleanly
MC20	130kg f.m
MC25	180kg f.m
MC4032	260kg f.m
MC5032	360kg f.m
MC5042	520kg f.m

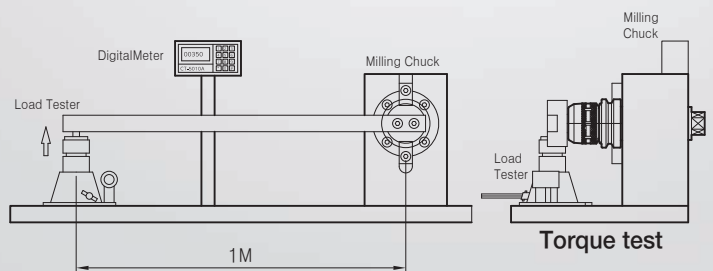
## High Chucking Accuracy

SELUX 밀링척은 평균 2회전 안으로 척킹/언척킹이 가능하도록 제작되었습니다. SELUX MILLING CHUCK is chucking and unchucking just with 2 revolution. 바디와 CAP부분 O-RING을 부착하여 진동을 방지하고 CAP내부 Retainer와 Roller를 보호하여 뛰어난 내구성을 자랑합니다.

As it has "O-RING" between body of milling chuck and CAP, SELUX MILLING CHUCK do not have vibration and has extreme rigidity.



O-ring contact perfect close for no vibration and high rigidity



# HYDRAULIC CHUCK

Excellent Precision, Excellent Quality

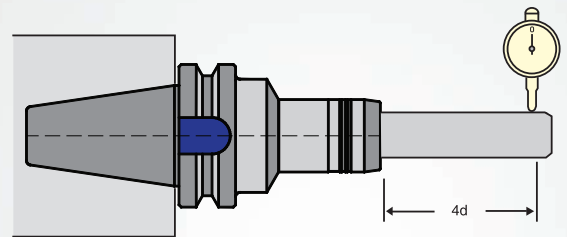
**SELUX**  
NC TOOLING SYSTEM



## Excellent Runout Accuracy

SELUX 유압척은  $4D \times 3\mu\text{m}$ (T.I.R) 이내의 흔들림 정도를 보장하며 고속가공에 최적화되어 설계되었습니다.  
(max. G2.5 at 25000rpm)

SELUX HYDRAULIC CHUCK ensure high precision runout accuracy is less than  $3\mu\text{m}$  at  $4D$  (T.I.R) and has been designed and optimized for high speed machining.  
(Max G2.5 at 25,000 rpm)



## Easy chucking system

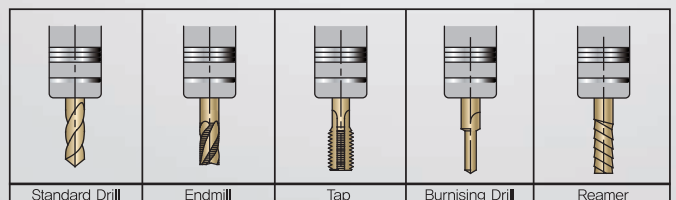
SELUX 유압척은 T-Wrench 하나로 쉽게 클램핑/언클램핑이 가능하며 사용시 공구교환이 쉽고 빠르게 하여 작업성 향상에 적합한 제품입니다.

SELUX HYDRAULIC CHUCK can be easy clamp and unclamp using just one T-Wrench and very convenient to exchange cutting tools.

## Variety Use

SELUX 유압척은 정밀 정삭/사상 작업에 적합한 공구로 다양한 사용범위를 자랑합니다.

SELUX HYDRAULIC CHUCK boast a wide variety of uses as holder for precision finishing operation.





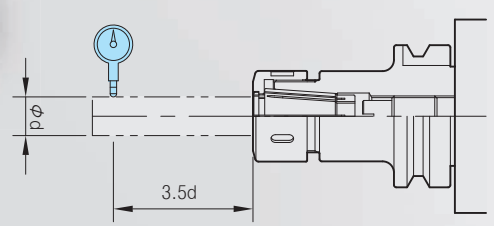
# SELUX SSK COLLET CHUCK

Excellent Precision, Excellent Quality

**SELUX**  
CNC TOOLING SYSTEM

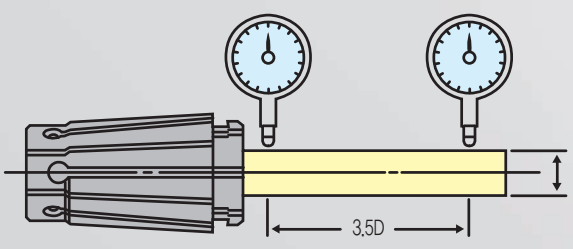


**Excellent Run-out Accuracy**  
(All grounded collet chuck for speed and high accuracy.)



Style & $\phi d$	T.I.R( $\mu m$ )	
	Stated	P class
SC 6 - $\phi d$	0.005	0.003
SC10 - $\phi d$		
SC13 - $\phi d$		
SC16 - $\phi d$		
SC20 - $\phi d$		
SC25 - $\phi d$		

정직한 RUN-OUT 결과를 보증하는 SELUX SSK COLLET CHUCK은 정밀가공에 최적화된 제품입니다.  
SELUX SSK COLLET CHUCK that garrantee accuracy RUN-OUT is optimal product for precision operation.



3.5D 선단에서 표준 5 $\mu m$ , 정밀급 3 $\mu m$ 을 전수검사로 보증합니다.  
The standard is 5 $\mu m$ (T.I.R) RUN-OUT and P CLASS is 3 $\mu m$ (T.I.R) RUN-OUT at 3.5D away from shank nose.  
(We inspect all of the collet)

SELUX SSK COLLET CHUCK은 엔드밀, 드릴, 리머 등 다양한 가공에 적합하게 제작되었습니다.  
SELUX SSK COLLET CHUCK is suitable for a various operation using drill, endmill and reamer

## GSK COLLET CHUCK

**MAX**  
**40,000**  
**min<sup>-1</sup>**

Coolant-through hole  
Clamping Range :  $\phi 1.0 \sim \phi 25.4$



- 고속가공에서 높은 정도
- 8° Taper의 강력한 파지력
- 원형 너트로 컴팩트한 디자인
- 스페너는 PH스패너 사용(별매)
- G2.5X max 40,000 RPM
- 고속형GSK척에는 P CLASS 콜릿 사용을 권장

SHRINK FIT HOLDER

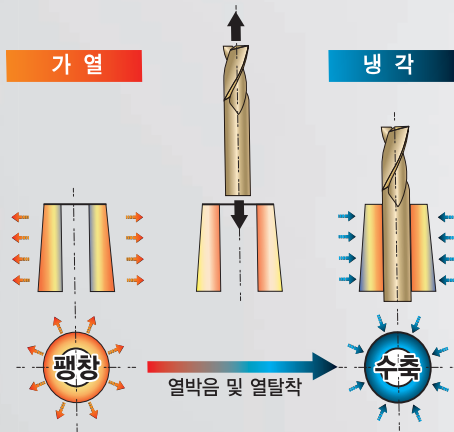
Excellent Precision, Excellent Quality

**SELUX**  
NC TOOLING SYSTEM



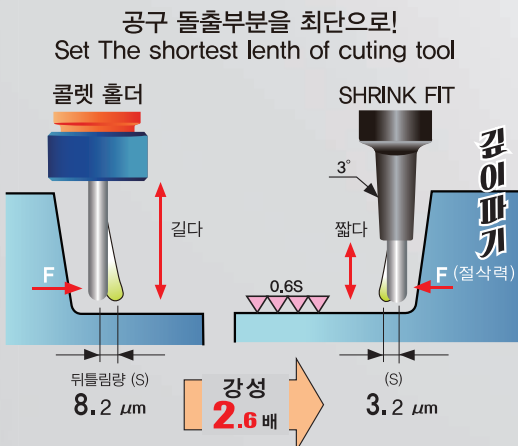
**Easy chucking**

**Power Clamping**



	SHRINK FIT	Collet Holder
Chucking System 척킹원리	홀더의 열팽창을 이용한 열박음 시스템 The shrink fit system is based on Thermal expansion of the shrink fit holder	콜렛의 탄성으로 공구를 고정하는 시스템 The system to Clamp cutting tool using elastic collet
Chanking force 열팽창을 (ø6)	6.2 kgf.m	2.1kgf.m
	 열팽창을 ▶ 수축력	 탄성변형

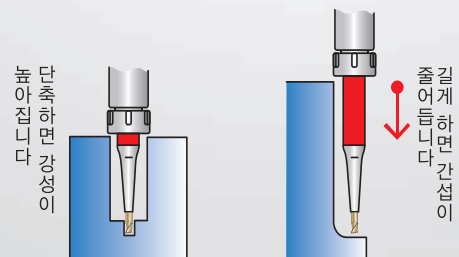
**Optimal operation with slim and symmetrical design**



**길이조정 자유자재, 완벽한 접근성.**

Easy to adjust tool lenth, perfect operation accssibility

스트레이트 타입은 필요에 따라 길이를 조정할 수 있습니다.

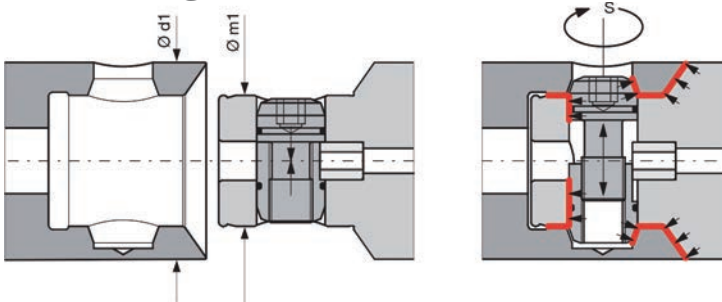


**Straight Type**

# D'ANDREA BORING SYSTEM



## WHAT IS MHD?



- Excellent Runout Accuracy  
 연결부위 TAPER 방식으로 최적의 RUN-OUT 구현  
 It is achieved extreme precision RUN-OUT by cylindrical-conical fit when extending
- Powerful clamping System  
 강력한 체결력으로 다양한 길이조절에도 일체형같은 성능 발휘  
 It is achieved utmost rigidity and concentricity with powerful clamping although,  
 it is a various extension with many elements that is extension, reduction, adapter etc.
- Self centering System  
 연결시 정확하게 중심을 잡아주는 방식으로 최적의 RUN-OUT 실현  
 It is achieved extreme precision RUN-OUT by a radial expanding bolt for clamping and driving
- Various Boring Range  
 최소  $\varnothing 2.5 \sim \varnothing 2,800$ 까지 넓은 보링 범위  
 A wide range of Boring systems (  $\varnothing 2.5 \sim \varnothing 2,800$  )





## various BASIC HOLDER

---



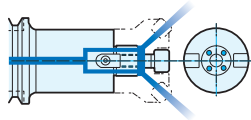
## BORING HEAD



# NEW PRODUCT

## FACE MILL ARBOR

Page ..... 36,70,94



### PRODUCT INFORMATION

- 쿨런트 컷터 전용
- 컷터 가공성 향상 및 공구사용시간 증가
- Only use coolant cutter.
- Improve tool life and cutting operation.

Page .... 37,72,104,130

## PRO MILL ARBOR



Coolant-through hole  
Clamping Range :  $\varnothing 3.0 \sim \varnothing 32.0$

### PRODUCT INFORMATION

- 모듈라 방식으로 원가 절감
- 높은 정밀도
- 이면구속 체결로 흔들림 감소
- 헤드 교체로 다양한 작업가능
- Cost reduction effect with modular system.
- Excellent accuracy.
- Vibration damping effect due to dual face contact.
- A various operation with exchanging head.

## MOLD SIDE LOCK HOLDER

Coolant-through hole  
Clamping Range :  $\varnothing 3.0 \sim \varnothing 32.0$

MAX  
20,000  
min<sup>-1</sup>

Page ..... 32,61

### PRODUCT INFORMATION

- 쉽고빠른 공구교환
- 높은 정밀도
- 슬림한 디자인으로 간섭부위 최소화
- Easy and quick tool exchange.
- Excellent accuracy.
- Minimize interference area by slim design.



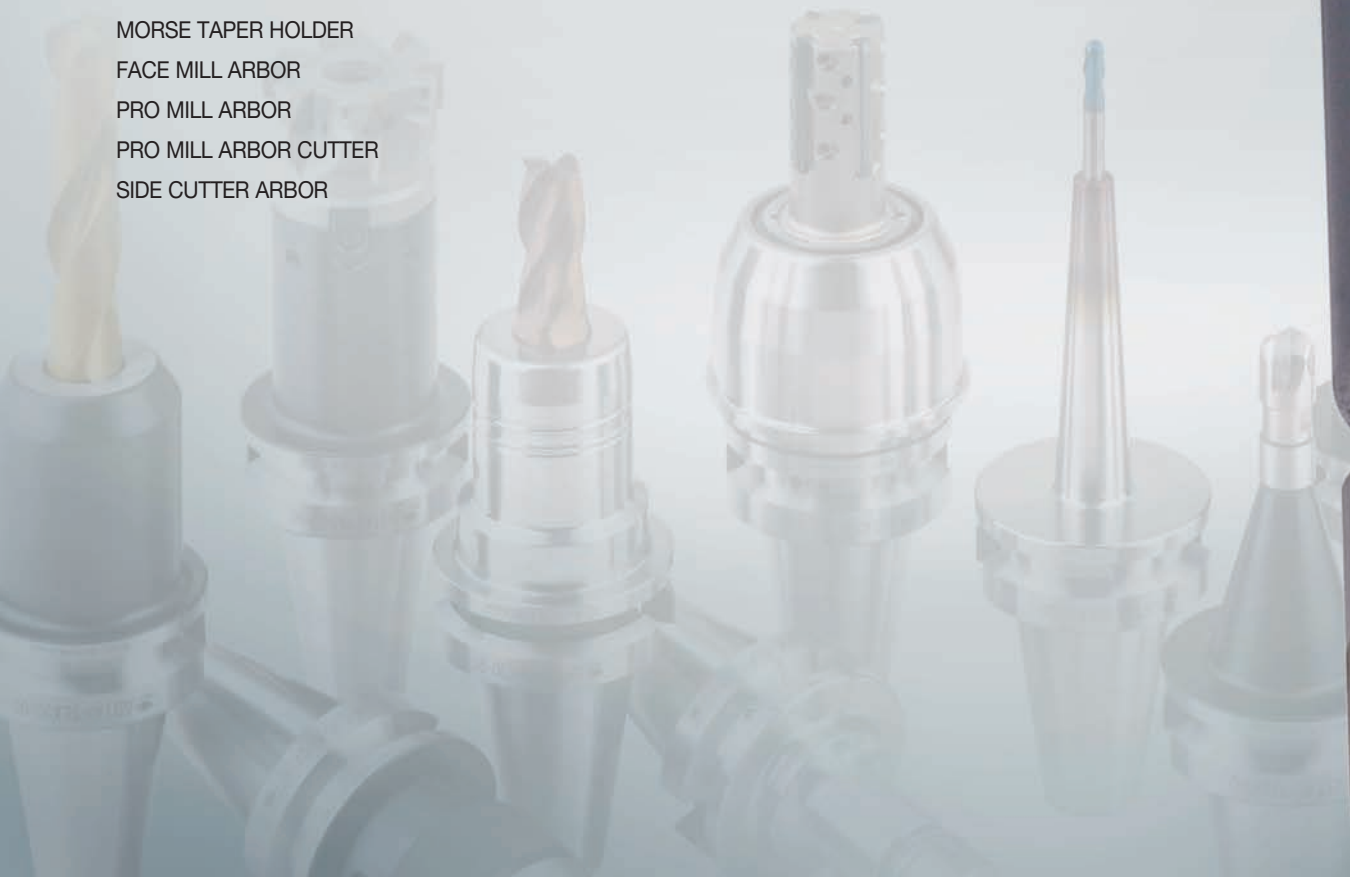
Excellent Precision  
Excellent Quality

**SELUX**  
NC TOOLING SYSTEM

# GBT

## CHUCK & Item

HYDRAULIC CHUCK  
MILLING CHUCK  
HIGH SPEED MILLING CHUCK  
SHRINK FIT HOLDER  
SSK COLLET CHUCK  
HIGH SPEED GSK CHUCK  
ER COLLET CHUCK  
NC DRILL CHUCK  
TAPPING CHUCK HOLDER  
SIDE LOCK HOLDER  
MOLD SIDE LOCK HOLDER  
MORSE TAPER HOLDER  
FACE MILL ARBOR  
PRO MILL ARBOR  
PRO MILL ARBOR CUTTER  
SIDE CUTTER ARBOR





# HYDRAULIC CHUCK

GBT SHANK HYDRAULIC CHUCK

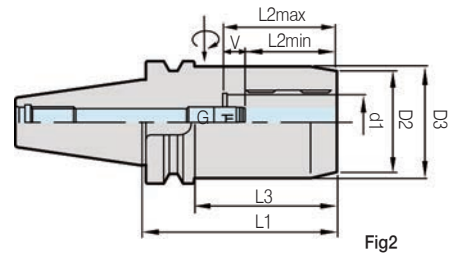
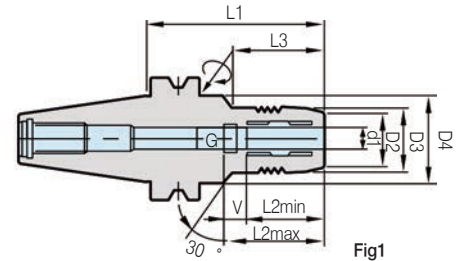
Coolant-through hole  
Clamping Range :  $\varnothing 3.0 \sim \varnothing 32.0$



CODE No.  
**GBT50** | **SHC20** | **140**  
 Shank | Chucking Dia | Length



**MAX**  
**25,000**  
 min<sup>-1</sup>



GBT Tooling System은 BT 2면구속 Spindle에서 2면구속으로 사용이 가능하며 일반 BT Spindle에서도 사용이 가능합니다.  
 GBT Tooling System can be used as the double face contact with the double face contact spindle and also used with BT standard spindle.

## PRODUCT INFORMATION

- 4D 선단에서 3 $\mu$ m이내의 흔들림정도
- 높은 정밀도와 고속가공에 최적화
- 유압방식의 강력한 파지력
- 렌치 하나로 쉽게 공구고정
- 3 $\mu$ m(T.I.R) Run-out at 4D away from shank nose.
- The optimal chuck for excellent accuracy and high speed operation.
- Powerful clamping force of hydraulic type.
- Easy clamping with just one wrench.

CODE NO.	d1	D2	D3	D4	L1	L2min	L2max	V	L3	G	Fig	Weight (kg)
<b>GBT30 - SHC 6 - 70</b>	6	25	28	45	70	27,5	37,5	10	28	M5X0,8	Fig1	0,65
<b>SHC 8 - 70</b>	8	27	30									
<b>SHC 10 - 75</b>	10	29	32		75	32,5	42,5		38	M6X1,0		0,75
<b>SHC 12 - 75</b>	12	31	34									
<b>SHC 16 - 90</b>	16	35	38	-	90	42,5	52,5	48	M8X1,0	Fig2	0,9	
<b>SHC 20 - 90</b>	20	40	43									

- ▶ 유압척 사용시 절삭공구 Shank공차는 h6 안에 들어오는 절삭공구 사용을 권장합니다.
- ▶ 유압척 SHC12, SHC20, SHC32는 D또는 OD콜릿을 사용하여 다양하게 공구를 척킹 할 수 있습니다.
- ▶ 유압척 전용 콜릿은 **P132~P133**
- ▶ 척킹시 필요한 렌치는 부속되어 있습니다.
- ▶ 황삭작업에는 권장하지 않습니다.
- ▶ Tolerance of cutting tool shank should be configured within h6.
- ▶ HYDRAURIC CHCUK SHC12, SHC20, SHC32 are possible to use various shank cutting tool with D or OD COLLET .
- ▶ HYDRAURIC COLLET are refered. **P132~P133**
- ▶ Wrench is included.
- ▶ We do not recommend to use hydraulic chuck for roughing operation.

# HYDRAULIC CHUCK

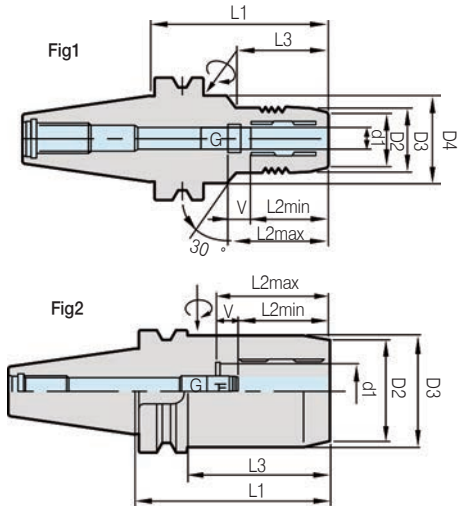
Coolant-through hole  
Clamping Range :  $\varnothing 3.0 \sim \varnothing 32.0$



CODE No.  
GBT50 SHC20 140  
 Shank      Chucking Dia      Length



**MAX**  
**25,000**  
min<sup>-1</sup>



GBT Tooling System은 BT 2면구속 Spindle에서 2면구속으로 사용이 가능하며 일반 BT Spindle에서도 사용이 가능합니다.  
 GBT Tooling System can be used as the double face contact with the double face contact spindle and also used with BT standard spindle.

## PRODUCT INFORMATION

- 4D 선단에서 3 $\mu$ m이내의 흔들림정도
- 높은 정밀도와 고속가공에 최적화
- 유압방식의 강력한 파지력
- 렌치 하나로 쉽게 공구고정
- 3 $\mu$ m(T.I.R) Run-out at 4D away from shank nose.
- The optimal chckuk for excellent accuracy and high speed operation.
- Powerful clamping force of hydraulic type.
- Easy clamping with just one wrench.

CODE NO.	d1	D2	D3	D4	L1	L2min	L2max	V	L3	G	Fig	Weight (kg)
GBT40 - SHC 6 - 90	6	25	28	50	90	27,5	37,5	10	44	M5X0,8	Fig1	1,3
SHC 8 - 90	8	27	30						39	M6X1,0		1,3
SHC10 - 90	10	29	32						44	M6X1,0		1,35
SHC12 - 90	12	31	34						37,5	47,5		1,35
SHC16 - 90	16	35	38						42,5	52,5		1,4
SHC20 - 90 - 140	20	40	43						140	48		M8X1,0
SHC25 - 100	25	53	57	-	100	51	61	73	M16X1,0	Fig2	1,7	
SHC32 - 105	32	58	63	-	105	55	65	-	M16X1,0		2,1	
GBT50 - SHC 6 - 120	6	25	28	50	120	27,5	37,5	10	44	M5X0,8	Fig1	4,1
- 140					140				47			
SHC 8 - 120	8	27	30		120	40	M6X1,0		4,1			
- 140					140	47						
SHC10 - 120					10	29			32	120		44
- 140	140	4,9										
SHC12 - 120	12	31	34		120	37,5	47,5		44	4,3		
- 140					140					4,9		
SHC16 - 120					16					35		38
- 140	140	5,0										
SHC20 - 90	20	40	43			90	42,5		52,5			
- 120					120	4,4						
- 140				140	5,0							
SHC25 - 105				25	53	57		105		51	61	67
- 150	150	5,6										
SHC32 - 115	32	58	63				115	55	65			
- 150				150	6,0							

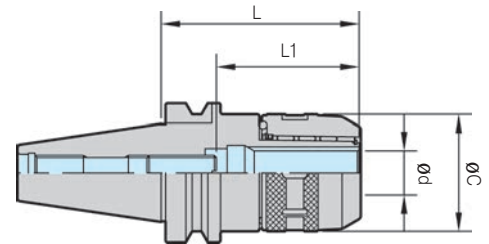
# MILLING CHUCK

Coolant-through hole  
Clamping Range :  $\varnothing 3.0 \sim \varnothing 42.0$



CODE No.

**GBT50** **MC32** **105**  
Shank Chucking Dia Length



GBT Tooling System은 BT 2면구속 Spindle에서 2면구속으로 사용이 가능하며 일반 BT Spindle에서도 사용이 가능합니다.  
GBT Tooling System can be used as the double face contact with the double face contact spindle and also used with BT standard spindle.

## PRODUCT INFORMATION

- 높은 정밀도
- 3.5D 선단에서 5 $\mu$ m이내의 흔들림정도
- 간편한 척킹 시스템
- Taper 접촉 80%이상 Taper공차 AT3로 보증
- 완전한 단면 밀착으로 강력 절삭
- 4배열 Roller System 방식으로 강력한 파지력
- Excellent Run-out Accuracy.
- 5 $\mu$ m(T.I.R) Run-out at 3.5D away from shank nose.
- Easy chucking system.
- More than 80% taper contact, we guarantee taper tolerance AT3.
- The strongest cutting power due to perfect face contact construction.
- Powerful clamping force by 4 needle roller system.

CODE NO.	$\varnothing d$	L	$\varnothing C$	L1	Collet	Weight (kg)
GBT30 - MC20 - 75	20	75	53	70	K20, NC20	1
MC32 - 100	32	100	72	78	K32, NC32	1.4
GBT40 - MC20 - 80	20	80	53	82	K20, NC20	1.5
- 90		90				1.6
MC32 - 85	32	85	72	90	K32, NC32	2
- 105		105				2.4
GBT50 - MC20 - 105	20	105	53	82	K20, NC20	4.4
- 135		135				4.8
MC32 - 105	32	105	72	125	K32, NC32	4.9
- 135		135				5.7
- 165		165				6.5
MC42 - 105	42	105	94	130	K42, NC42	5.5
- 135		135				6.9
- 165		165				8.3

Spare Parts		
Type	Option	
	Collet	Spanner
MC20	K20-NC20	MC20-SP(50-55)
MC25	K25-NC25	MC25-SP(56-61)
MC32	K32-NC32	MC32-SP(68-75)
MC42	K42-NC42	MC42-SP(88-96)

- ▶ 고속 바란스 작업시 추가 비용이 청구됩니다.
- ▶ 밀링척은 콜릿을 사용하여 다양한 Shank의 공구들을 체결할 수 있습니다.
- ▶ 밀링척 전용 콜릿은 P134~P136
- ▶ 밀링척 스페너는 별도 판매품 입니다. P149

- ▶ Extra charge for high speed balance.
- ▶ MILLING CHUCK is possible to use cutting tools of a various shank with COLLET.
- ▶ K-COLLET are refered. P134~P136
- ▶ Spanner is ordered separately. P149



# HIGH SPEED MILLING CHUCK

GBT SHANK HIGH SPEED MILLING CHUCK

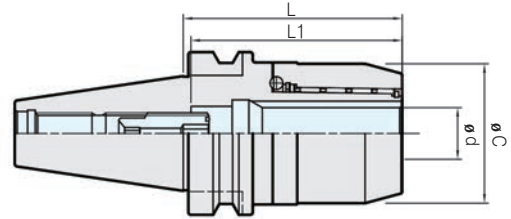
Coolant-through hole  
Clamping Range :  $\phi 3.0 \sim \phi 32.0$



CODE No.  
**GBT40** **MC32** **85** **G**  
 Shank      Chucking Dia      Length      High Speed



**MAX**  
**25,000**  
min<sup>-1</sup>

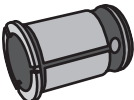



GBT Tooling System은 BT 2면구속 Spindle에서 2면구속으로 사용이 가능하며 일반 BT Spindle에서도 사용이 가능합니다.  
 GBT Tooling System can be used as the double face contact with the double face contact spindle and also used with BT standard spindle.

## PRODUCT INFORMATION

- 고속 가공에서 높은 정도
- 강력한 파지력
- 3.5D 선단에서 5 $\mu$ m이내의 흔들림 정도
- 스패너는 GH 스패너 사용(별매)
- G6.3 max 25,000RPM
- 원형너트로 고속 절삭시 소음 감소
- Excellent Run-out Accuracy.
- Powerful clamping force.
- 5 $\mu$ m(T.I.R)Run-out at 3.5D away from shank nose.
- GH spanner is ordered separately.
- G6.3 max 25,000 RPM.
- The operation noise is reduced by assembled circle style nut.

CODE NO.	$\phi d$	L	$\phi C$	L1	Collet	MAX rpm	Weight (kg)
<b>GBT30 - MC20 - 75G</b>	20	75	48	70	K20, NC20	25,000	0.6
<b>MC25 - 80G</b>	25	80	55		K25, NC25		0.9
<b>GBT40 - MC20 - 80G</b>	20	80	48	82	K20, NC20	25,000	1.3
<b>- 90G</b>		90					1.4
<b>MC25 - 80G</b>	25	80	55	85	K25, NC25	20,000	1.5
<b>- 90G</b>		90					1.6
<b>MC32 - 85G</b>	32	85	68	80	K32, NC32	20,000	1.6
<b>- 105G</b>		105					90
<b>GBT50 - MC20 - 105G</b>	20	105	48	105	K20, NC20	20,000	4.1
<b>- 135G</b>		135					4.4
<b>MC25 - 105G</b>	25	105	55	90	K25, NC25	15,000	4.4
<b>- 135G</b>		135					4.8
<b>MC32 - 105G</b>	32	105	68	110	K32, NC32	15,000	4.7
<b>- 135G</b>		135		135			5.2

Spare Parts		
Type	Option	
	Collet	Spanner
		
<b>MC20-G</b>	K20-NC20	MC20-GH
<b>MC25-G</b>	K25-NC25	MC25-GH
<b>MC32-G</b>	K32-NC32	MC32-GH

- ▶ 고속형밀링척은 콜릿을 사용하여 다양한 Shank의 공구들을 체결할 수 있습니다.
- ▶ 밀링척 전용 콜릿은 **P134 ~ P136**
- ▶ 고속형밀링척 GH스패너는 별도 판매품 입니다. **P149**

- ▶ High speed MILLING CHUCK is possible to use cutting tools of a various shank with COLLET.
- ▶ K-CHUCK COLLET is referred. **P132~P133**
- ▶ GH SPANNER for high speed milling chuck is ordered separately. **P149**

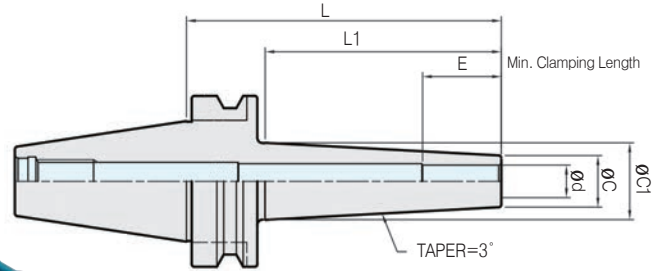
# SHRINK FIT HOLDER

Coolant-through hole  
Clamping Range :  $\phi 3.0 \sim \phi 12.0$

CODE No.  
**GBT40** **SSF10** **S** **120**  
 Shank Chucking Dia Shim Length



**MAX**  
**25,000**  
 min<sup>-1</sup>



GBT Tooling System은 BT 2면구속 Spindle에서 2면구속으로 사용이 가능하며 일반 BT Spindle에서도 사용이 가능합니다.  
 GBT Tooling System can be used as the double face contact with the double face contact spindle and also used with BT standard spindle.

## PRODUCT INFORMATION

- 4D선단에서 3 $\mu$ m이내의 흔들림 정도
- 높은 정밀도와 강력한 파지력
- 대칭적, 슬림한 디자인으로 가공최적화
- 전제품 내부급유 (Coolant Through Hole)
- 3 $\mu$ m(T.I,R) Run-out at 4D away from shank nose.
- Excellent Run-out accuracy and powerful clamping.
- Optimal operation with slim and symmetrical design.
- All products can be used for center through coolant type.

Code No.	$\phi d$	$\phi C$	$\phi C1$	L	L1	E	Weight (kg)
GBT30 - SSF 4S - 80	4	7	20	80	42	12	0,4
SSF 6S - 80	6	11	17		55		0,4
- 120			21	120	95	18	0,45
SSF 8S - 80	8	13	19	80	55	24	0,4
- 120			23	120	95		0,45
SSF10S - 80	10	16	22	80	55	30	0,4
- 120			26	120	95		0,45
SSF12S - 80	12	19	25	80	55		0,5
- 120			29	120	95		0,55
GBT40 - SSF 3S - 90	3	6	26	90	37	9	1,0
SSF 4S - 90	4	7				12	1,0
SSF 6S - 120	6	11	20	120	90	18	1,1
- 160			25	160	130		1,2
SSF 8S - 120	8	13	22	120	90	24	1,1
- 160			27	160	130		1,3
SSF10S - 120	10	16	25	120	90	30	1,1
- 160			30	160	130		1,4
SSF12S - 120	12	19	28	120	90		1,2
- 160			33	160	130		1,4
GBT50 - SSF 6S - 120	6	11	19	120	79	18	3,8
- 160			23	160	119		4,1
SSF 8S - 120	8	13	21	120	79	24	3,8
- 160			25	160	119		4,1
SSF10S - 120	10	16	24	120	79	30	3,9
- 160			28	160	119		4,2
SSF12S - 120	12	19	27	120	79		3,9
-160			31	160	119		4,3

- ▶ 열박음홀더 사용시 절삭공구 Shank경은 h6의 제품을 사용해 주십시오.
- ▶ 절삭공구는 초경 Shank만 대응합니다. (하이스 제품 사용금지)
- ▶ 열박음홀더 사용시 지정된 고주파 히팅기를 사용해서 절삭공구 체결을 권장합니다.
- ▶ SELUX 고주파 히팅기는 P145
- ▶ 절삭공구 최소 삽입길이를 준수해 주시기 바랍니다.
- ▶ 공구길이조정 Stopper는 별도 판매 입니다. P145
- ▶ 열박음홀더 사용시 오일홀 풀스터드 볼트를 권장합니다.
- ▶ Please use only carbide cutting tools of a shank tolerance within H6.
- ▶ Please use only carbide cutting tools for shrink fit holder. (Prohibit use HSS CUTTING TOOLS)
- ▶ We recommend shrink fit equipment when you use shrink fit holder.
- ▶ SELUX shrink fit equipment is referred. P145
- ▶ Please follow minimum insertion length of the cutting tools.
- ▶ Stopper for adjusting cutting tool length order separately. P145
- ▶ We recommend oil hole Pull stud bolt for shrink fit holder.

# SHRINK FIT HOLDER

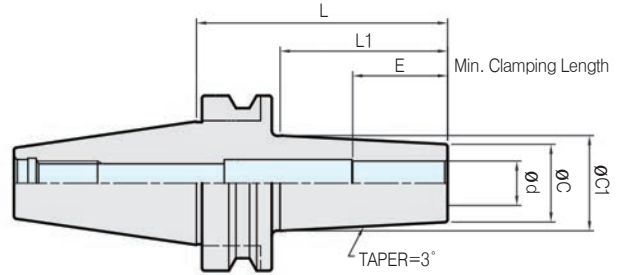
Coolant-through hole  
Clamping Range :  $\varnothing 3.0 \sim \varnothing 20.0$



CODE No.  
**GBT40** **SSF10** **160**  
 Shank Chucking Dia Length



**MAX**  
**25,000**  
 min<sup>-1</sup>



GBT Tooling System은 BT 2면구속 Spindle에서 2면구속으로 사용이 가능하며 일반 BT Spindle에서도 사용이 가능합니다.  
 GBT Tooling System can be used as the double face contact with the double face contact spindle and also used with BT standard spindle.

## PRODUCT INFORMATION

- 4D선단에서 3 $\mu$ m이내의 흔들림 정도
- 높은 정밀도와 강력한 파지력
- 대칭적,슬림한 디자인으로 가공최적화
- 전제품 내부급유 (Coolant Through Hole)
- 3 $\mu$ m(T.I.R) Run-out at 4D away from shank nose.
- Excellent Run-out accuracy and powerful clamping.
- Optimal operation with slim and symmetrical design.
- All products can be used for center through coolant type.

Code No.	$\varnothing d$	$\varnothing C$	$\varnothing C1$	L	L1	E	Weight (kg)
GBT30 - SSF 3 - 80	3	7.5	25	80	27	9	0.7
SSF 4 - 80	4	10				12	0.7
SSF 6 - 80	6	14	20		55	18	0.7
SSF 8 - 80	8	18	24			24	0.8
SSF10 - 80	10	22	28		30	0.8	
SSF12 - 80	12	24	30		34	0.8	
SSF16 - 80	16	28	34		9	1.0	
GBT40 - SSF 3 - 90	3	7.5	26		90	37	12
SSF 4 - 90	4	10		18			1.2
SSF 6 - 90	6	14	20	160	130	24	1.4
- 160			21				60
SSF 8 - 90	8	18	24	160	130	30	1.4
- 160			32				60
SSF10 - 90	10	22	28	160	130	34	1.5
- 160			36				60
SSF12 - 90	12	24	30	160	130	34	1.6
- 160			38				60
SSF16 - 90	16	28	34	160	130	40	1.8
- 160			42				60
SSF20 - 90	20	34	40	160	130	40	1.3
- 160			48				60
GBT50 - SSF 6 - 100	6	14	20	100	130	18	3.7
- 160			26				70
SSF 8 - 100	8	18	24	100	59	24	3.7
- 160			30				119
SSF10 - 100	10	22	28	100	59	30	3.8
- 160			34				119
SSF12 - 100	12	24	30	100	59	34	3.8
- 160			36				119
SSF16 - 100	16	28	34	100	59	40	3.8
- 160			40				119
SSF20 - 100	20	34	46	100	59	40	3.9
- 160			53				119

▶ 열박음척 사용시 척 내경에 있는 방청유를 제거후에 사용하셔야 합니다.  
 내구성 저하 원인이 됩니다.

▶ Please clean the shank outside and inside of shrink fit before use.  
 If you don't clean the shrink fit, it has problem about Run-out and toollife.



# SSK COLLET CHUCK



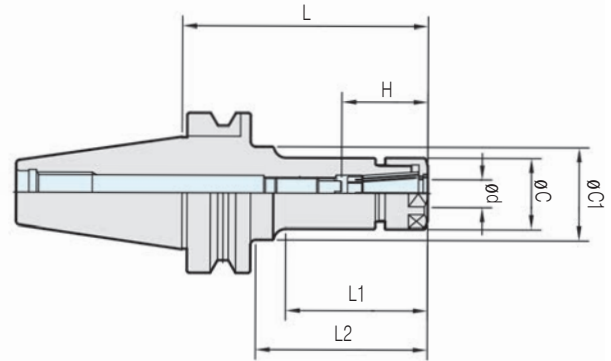
GBT SHANK  
SSK COLLET CHUCK



**Coolant-through hole**  
Clamping Range :  $\varnothing 1.0 \sim \varnothing 25.4$

CODE No.

**GBT50** **SSK10** **135**  
Shank Chucking Dia Length



GBT Tooling System은 BT 2면구속 Spindle에서 2면구속으로 사용이 가능하며 일반 BT Spindle에서도 사용이 가능합니다.  
GBT Tooling System can be used as the double face contact with the double face contact spindle and also used with BT standard spindle.

## PRODUCT INFORMATION

- 8° Taper 의 강력한 파지력
- 높은 정밀도와 빠른 가공에 적합
- 드릴, 센터드릴, 엔드밀, 탭, 리머용으로 사용
- Powerful clamping force of 8° taper.
- Excellent Run-out Accuracy.
- SSK COLLET CHUCK is suitable for a various operation using drill, endmill, tap and reamer.

Code No.	$\varnothing d$	L	$\varnothing C$	$\varnothing C1$	H	L1	L2	Collet	Weight (kg)
GBT30 - SSK 6 - 60	0.9~6.0	60	19.5	19.5	21~35	33	33	SC6	0.7
		90		32		56	65		0.7
SSK10 - 60	1.75~10.0	60	27.5	27.5	30~50	35	35	SC10	0.9
		90				65	65		1.0
		120				95	95		1.1
SSK13 - 60	2.75~13.0	60	33	33	31~50	35	35	SC13	1.0
		90				65	65		1.1
SSK16 - 60	2.75~16.0	60	40	40	45~60	37	37	SC16	1.1
		90				67	67		1.2
GBT40 - SSK 6 - 60	0.9~6.0	60	19.5	19.5	21~35	30	30	SC6	1.0
		90		32		51	60		1.1
		120				60	90		1.4
SSK10 - 60	1.75~10.0	60	27.5	27.5	30~50	32	32	SC10	1.1
		90		40		48	60		1.2
		120				73	90		1.4
		150		34.5		118	118		1.6
SSK13 - 60	2.75~13.0	60	33	33	31~65	28	28	SC13	1.2
		90				58	58		1.4
		120				88	88		1.6
SSK16 - 60	2.75~16.0	60	40	40	50~65	32	32	SC16	1.3
		90			40~67	58	58		1.5
		120			40~70	88	88		1.7
		150				118	118		1.9
SSK20 - 60	3.6~20.0	60	48.5	48.5	47~60	32	32	SC20	1.3
		90			47~80	60	60		1.6
		120				90	90		2.0
SSK25 - 75	15.6~25.4	75	55	55	40~60	46	46	SC25	1.5
		90			55~75	61	61		1.8
		120			55~85	91	91		2.0

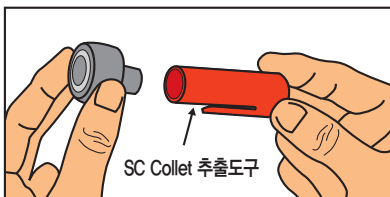
# SSK COLLET CHUCK



Code No.	ød	L	øC	øC1	H	L1	L2	Collet	Weight (kg)
GBT50 - SSK 6 - 105	0.9~6.0	105	19.5	32	21~35	55	64	SC 6	3.8
- 135		135				92	4.0		
- 165		165				114	4.2		
SSK10 - 105	1.75~10.0	105	27.5	32	30~50	57	57	SC10	4.2
- 135		135				70	92		4.4
- 165		165				75	114		4.6
SSK13 - 105	2.75~13.0	105	33	33	31~65	62	62	SC13	4.5
- 135		135				92	122		4.7
- 165		165				92	122		4.9
SSK16 - 105	2.75~16.0	105	40	40	40~70	62	62	SC16	4.7
- 135		135				92	92		4.9
- 165		165				90	122		5.1
SSK20 - 105	3.6~20.0	105	48.5	48.5	47~80	62	62	SC20	4.3
- 135		135				92	92		4.6
- 165		165				122	122		5.0
SSK25 - 105	15.6~25.4	105	55	55	50~85	62	62	SC25	5.2
- 135		135				92	92		5.4
- 165		165				122	122		5.6

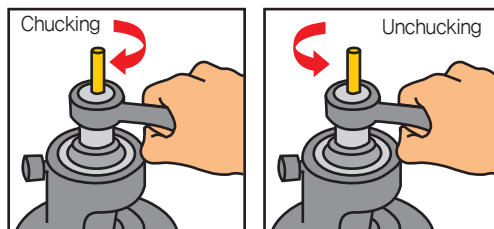
Spare Parts				
Type	Basic		Option	
	Nut	Adjust Screw	Spanner	Collet
SSK 6	SCN- 6 (HEXA)	BTD0825-C	SC 6-SP	SC 6-ø
SSK10	SCN-10 (HEXA)	BTD1225-C	SC10-SP	SC10-ø
SSK13	SCN-13	BTD1525-C	SC13-SP	SC13-ø
SSK16	SCN-16	BTD1830-C	SC16-SP	SC16-ø
SSK20	SCN-20	BTD2230-C	SC20-SP	SC20-ø
SSK25	SCN-25	BTD2838-C	SC25-SP	SC25-ø

- ▶ 너트, 조절나사 및 콜렛추출도구는 부속되어 있습니다.
- ▶ 고속회전용 GSK적은 **P26**
- ▶ 스패너는 별매입니다. **P149**
- ▶ Synchronized Tap 사용시 SSK10을 사용하십시오.  
Aluminum MAX Tapping M12  
Steel MAX Tapping M10  
Stainless Steel MAX Tapping M8  
위 사양 이상인경우는 Milling Chuck에 K-Collet을 사용하시길 바랍니다.
- ▶ SSK적 콜렛은 **P138~P139**
- ▶ 철삭공구 체결시 무리한 힘이 가해질시 너트 및 홀더가 파손 될 수 있습니다.
- ▶ 고속 바란스 작업시 추가 비용이 청구됩니다.
- ▶ NUT, ADJUST SCREW, COLLET REMOVER are included.
- ▶ High speed GSK CHUCK is referred. **P26**
- ▶ Spanner is ordered separately. **P149**
- ▶ Please use SSK10 when you use Synchronized Tap.  
Aluminum MAX Tapping M12  
Steel MAX Tapping M10  
Stainless Steel MAX Tapping M8  
If it has problem, We recommend K COLLET with Milling Chuck.
- ▶ SC COLLET is referred. **P138 ~ P139**
- ▶ The nut or shank of chuck can be destroyed if you too strongly clamp nut and holder.
- ▶ Extra charge for high speed balance.



SSK NUT에 SC COLLET 체결시에는 전용 콜렛 추출도구를 사용하시기 바랍니다.

Please use private remover when you insert the SSK COLLET in SSK NUT



SSK 척은 공구체결시 40 Torque 이상의 힘이해질시 너트 및 바디가 파손 될 수 있습니다. ※주의 (SSK6, SSK10)

SSK NUT and SSK CHCUK is possible to be broken if you clamp chuck and nut over 40 Torque ※ **WARNING** (SSK6, SSK10)

# HIGH SPEED GSK CHUCK(P CLASS)

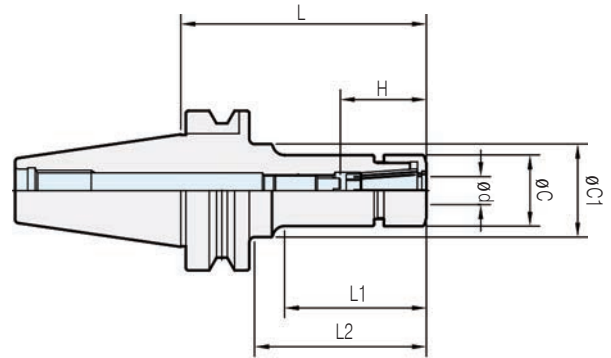
Coolant-through hole  
Clamping Range :  $\phi 1.0 \sim \phi 25.4$

CODE No.

**GBT50** **GSK10** **105** **P**  
Shank SC Collet Length High Speed



**MAX**  
**40,000**  
min<sup>-1</sup>



GBT Tooling System은 BT 2면구속 Spindle에서 2면구속으로 사용이 가능하며 일반 BT Spindle에서도 사용이 가능합니다.  
GBT Tooling System can be used as the double face contact with the double face contact spindle and also used with BT standard spindle.

## PRODUCT INFORMATION

- 고속가공에서 높은 정도
- 8° Taper의 강력한 파지력
- 원형 너트로 컴팩트한 디자인
- 스패너는 PH스패너 사용(별매)
- G2.5X max 40,000 RPM
- 고속형GSK척에는 P CLASS 콜릿 사용을 권장
- Excellent Run-out Accuracy.
- Powerful clamping force of 8° taper.
- Circle style nut designed compactly
- PH spanner is orderd separately.
- G2.5X max 40,000 RPM.
- We recommed to use P CLASS SC COLLET when you use GSK CHCUK.

Code No.	$\phi d$	L	$\phi C$	$\phi C1$	H	L1	L2	Collet	MAX rpm	Weight (kg)	
GBT30 - GSK 6- 60P	0,9~6,0	60	19,5	19,5	21~35	33	33	SC6P	40,000	0,7	
		90		32		56	65			0,7	
GSK10- 60P	1,75~10,0	60	27,5	27,5	30~50	35	35	SC10P		0,9	
		90				65	65			1,0	
		120				95	95			1,1	
GSK13- 60P	2,75~13,0	60	33	33	31~50	35	35	SC13P		1,0	
		90				65	65		1,1		
GSK16- 60P	2,75~16,0	60	40	40	45~60	37	37	SC16P	30,000	1,1	
		90				67	67			1,2	
GBT40 - GSK 6- 60P	0,9~6,0	60	19,5	19,5	21~35	30	30	SC6P		25,000	1,0
		90		32		51	60				1,1
		120		60		90	1,4				
GSK10- 60P	1,75~10,0	60	27,5	27,5	30~50	32	32	SC10P			1,1
		90		40		48	60		1,2		
		120		73		90	1,4				
		150		34,5		118	118		1,6		
GSK13- 60P	2,75~13,0	60	33	33	31~65	28	28	SC13P	1,2		
		90				58	58		1,4		
		120				88	88		1,6		
GSK16- 60P	2,75~16,0	60	40	40	50~65	32	32	SC16P	1,3		
		90			40~67	58	58		1,5		
		120			40~70	88	88		1,7		
		150			118	118	1,9				
GSK20- 60P	3,6~20,0	60	48,5	48,5	47~60	32	32	SC20P	20,000	1,3	
		90			60	60	1,6				
		120			90	90	2,0				
GSK25- 75P	15,6~25,4	75	55	55	40~60	46	46	SC25P		1,5	
		90			55~75	61	61			1,8	
		120			55~85	91	91			2,0	



# HIGH SPEED GSK CHUCK(P CLASS)

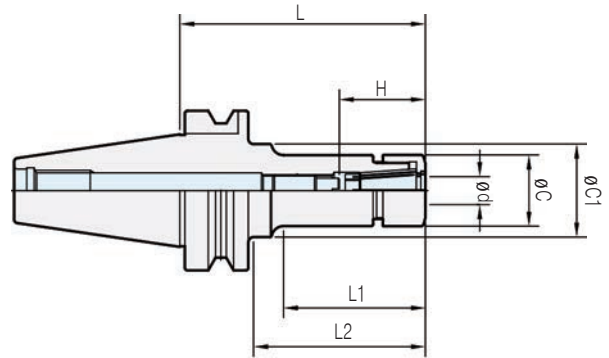
Coolant-through hole  
Clamping Range :  $\phi 1.0 \sim \phi 25.4$



CODE No.  
**GBT50** **GSK10** **105** **P**  
 Shank SC Collet Length High Speed



**MAX**  
**40,000**  
min<sup>-1</sup>



Code No.	$\phi d$	L	$\phi C$	$\phi C1$	H	L1	L2	Collet	MAX rpm	Weight (kg)
GBT50 - GSK 6 - 105P	0.9~6.0	105	19.5	32	21~35	55	64	SC6P	20,000	3.8
- 135P		135								4.0
- 165P		165								4.2
GSK10 - 105P	1.75~10.0	105	27.5	27.5	30~50	57	57	SC10P	20,000	4.2
- 135P		135		32		70	92			4.4
- 165P		165		36		75	114			4.6
GSK13 - 105P	2.75~13.0	105	33	33	31~65	62	62	SC13P	20,000	4.5
- 135P		135		45		92	122			4.7
- 165P		165		45		92	122			4.9
GSK16 - 105P	2.75~16.0	105	40	40	40~70	62	62	SC16P	20,000	4.7
- 135P		135		50		92	92			4.9
- 165P		165		50		90	122			5.1
GSK20 - 105P	3.6~20.0	105	48.5	48.5	47~80	62	62	SC20P	15,000	4.3
- 135P		135		122		122	4.6			
- 165P		165		122		122	5.0			
GSK25 - 105P	15.6~25.4	105	55	55	50~85	62	62	SC25P	15,000	5.2
- 135P		135		92		92	5.4			
- 165P		165		122		122	5.6			

Spare Parts				
Type	Basic		Option	
	Nut	Adjust Screw	Spanner	Collet
GSK 6P	SCN- 6P	BTD0825-C	SC 6-PH	SC 6- $\phi$ P
GSK10P	SCN-10P	BTD1225-C	SC10-PH	SC10- $\phi$ P
GSK13P	SCN-13P	BTD1525-C	SC13-PH	SC13- $\phi$ P
GSK16P	SCN-16P	BTD1830-C	SC16-PH	SC16- $\phi$ P
GSK20P	SCN-20P	BTD2230-C	SC20-PH	SC20- $\phi$ P
GSK25P	SCN-25P	BTD2838-C	SC25-PH	SC25- $\phi$ P

- ▶ 너트, 조절나사 및 콜릿추출도구는 부속되어 있습니다.
- ▶ 스페너는 별매입니다. **P149**
- ▶ GSK척 콜릿은 **P138~P139**
- ▶ 절삭공구 체결시 무리한 힘이 가해질시 너트및 홀더가 파손 될 수 있습니다.
- ▶ NUT, ADJUST SCREW, COLLET REMOVER are included.
- ▶ Spanner is ordered separately. **P149**
- ▶ P CLASS SC COLLET for GSK CHUCK is referred. **P138 ~ P139**
- ▶ It can be destoried nut or shank of chuck if you too strongly clamp nut and holder.

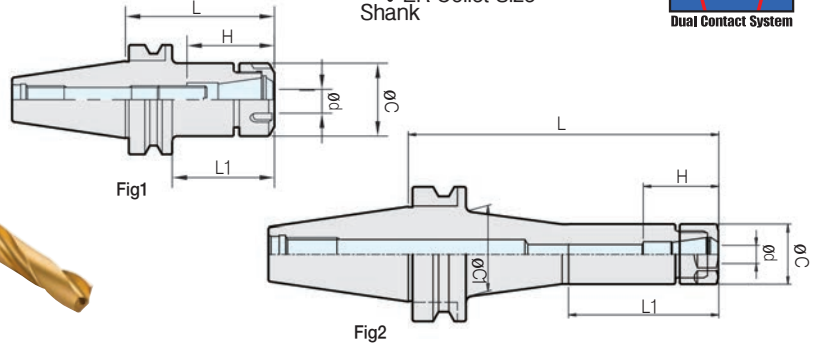
# ER COLLET CHUCK

GBT SHANK ER COLLET CHUCK



**Coolant-through hole**  
Clamping Range :  $\phi 0.5 \sim \phi 20.0$

**CODE No.**  
**GBT50** **ER16** **105**  
 Shank ER Collet Size Length



GBT Tooling System은 BT 2면구속 Spindle에서 2면구속으로 사용이 가능하며 일반 BT Spindle에서도 사용이 가능합니다.  
 GBT Tooling System can be used as the double face contact with the double face contact spindle and also used with BT standard spindle.

## PRODUCT INFORMATION

- 안정적인 정밀도와 파지력
- Reliable accuracy and Powerful clamping force.
- 쉽고빠른 공구교환
- Easy and quick tool exchange.
- 드릴, 엔드밀, 탭 다양한 사용범위
- ER COLLET CHUCK is suitable for a various operation using drill, endmill, tap.

Code No.	ød	L	L1	øC	C1	H		Collet	Fig	Weight (kg)
						Min	Max			
GBT30 - ER11 - 60	0.5~7.0	60	35	19		19	34	ER11		0.5
		90	65							0.6
ER16 - 60	0.5~10.0	60	35	28		23	43	ER16		0.5
		90	65							0.6
ER20 - 60	1.0~13.0	60	35	35	-	25	48	ER20	1	0.5
		90	65							0.7
ER25 - 60	1.0~16.0	60	35	42		34	54	ER25		0.6
		90	65							0.8
ER32 - 60	2.0~20.0	60	35	50		40	60	ER32		0.5
		90	65							0.9
GBT40 - ER11 - 60	0.5~7.0	60	28	19	-	19	34	ER11	1	1.0
		90	58		-				2	1.1
		120	65		26				2	1.2
ER16 - 60	0.5~10.0	60	28	28	-	23	43	ER16	1	1.1
		90	58		-				2	1.2
		120	73		36				2	1.3
ER20 - 60	1.0~13.0	60	30	35	-	25	48	ER20	1	1.1
		90	60		-				2	1.3
		120	90		-				2	1.5
ER25 - 60	1.0~16.0	60	30	42	-	34	54	ER25	1	1.2
		90	60		-				2	1.4
		120	90		-				2	1.6
ER32 - 60	2.0~20.0	60	30	50	-	40	60	ER32	1	1.3
		90	60		-				2	1.4
		120	90		-				2	1.7
GBT50 - ER11 - 105	0.5~7.0	105	62	19	-	19	34	ER11	1	3.7
		135	61		32				2	3.8
		165	61		35				2	4.0
ER16 - 105	0.5~10.0	105	62	28	-	23	43	ER16	1	4.0
		135	70		32				2	4.1
		165	77		36				2	4.2
ER20 - 105	1.0~13.0	105	62	35	-	25	48	ER20	1	3.9
		135	92		40				2	4.1
		165	87		40				2	4.5
ER25 - 105	1.0~16.0	105	62	42	-	34	54	ER25	1	4.1
		135	92		50				2	4.3
		165	90		50				2	4.4
ER32 - 105	2.0~20.0	105	62	50	-	40	60	ER32	1	4.3
		135	92		-				2	4.9
		165	122		-				2	5.0

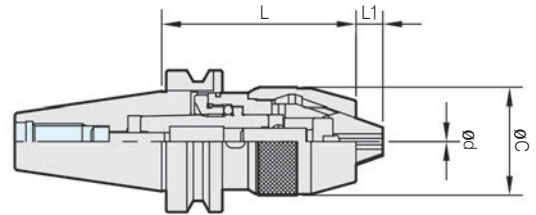
- ▶ 내부급유 사용시에는 방수형콜릿이나 방수형 너트를 사용 해주시시오.
- ▶ Please use waterproof collet and waterproof nut for operating centre through coolant type.
- ▶ ER콜릿은 P140~P141
- ▶ ER COLLET is referred, P140 ~ P141
- ▶ 스패너는 별매향입니다. P149
- ▶ Spanner is ordered separately. P149
- ▶ 고속 바란스 작업시 추가 비용이 청구됩니다.
- ▶ Extra charge for high speed balance.
- ▶ ER척 스페어 파트는 P53
- ▶ The spare parts for ER CHCUK are referred. P53

# NC DRILL CHUCK

Clamping Range :  $\phi 0.3 \sim \phi 13.0$



CODE No.  
**GBT40** **NPU13** **90**  
 ↓ ↓ ↓  
 Chucking Dia Length  
 Shank



GBT Tooling System은 BT 2면구속 Spindle에서 2면구속으로 사용이 가능하며 일반 BT Spindle에서도 사용이 가능합니다.  
 GBT Tooling System can be used as the double face contact with the double face contact spindle and also used with BT standard spindle.

## PRODUCT INFORMATION

머시닝 센터의 일반적인 드릴링 공구입니다. **General Drillings for Machining Centers**

- 척과 샹크가 일체형 구조로 길이가 짧음
- 가공정도 향상과 우수한 내구성
- 척의 탈락이 없고 주축 정지시 풀리지 않음
- Unified body of chuck and shank reduces the length of tool.
- Improved operation accuracy and excellent rigidity
- The drillchuck is never detached from holder and is not released when the operation is stop.

Code No.	$\phi d$	L	$\phi C$	L1	Weight (kg)
GBT30 - NPU 8 - 80	0.3~8.0	80	38	8.5	0.8
NPU 13 - 105	1.0~13.0	105	50	11.5	1.5
GBT40 - NPU 8 - 75	0.3~8.0	75	38	8.5	1.3
- 105		105			1.6
- 150		150			2.0
NPU13 - 90	1.0~13.0	90	50	11.5	1.7
- 130		130			2.0
- 175		175			2.4
GBT50 - NPU 8 - 85	0.3~8.0	85	38	8.5	3.8
- 120		120			4.0
- 150		150			4.4
- 170		170			4.8
NPU 13 - 105	1.0~13.0	105	50	11.5	4.4
- 130		130			4.6
- 190		190			5.4

Spare Parts		
Type	Basic	
	Chuck	Spanner
NPU 8	NPU 8	NPU08-SP
NPU13	NPU13	NPU13-SP

- ▶ 초경 드릴, 탭은 절대 사용을 금지해 주십시오.
- ▶ 절삭공구 최소 척킹 길이를 준수해 주시기 바랍니다.  
 NPU8-20mm이상  
 NPU13-30mm이상
- ▶ 스페너는 별매입니다. **P149**
- ▶ Please Prohibit use CARBIDE DRILL and CARBIDE TAP.
- ▶ Please follow minimum length of cutting tools.  
 NPU8 : more 20mm  
 NPU13 : more 30mm
- ▶ Spanner is ordered separately. **P149**

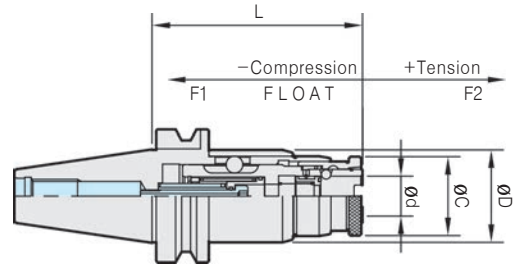
# TAPPING CHUCK HOLDER

Tapping Range : M3 ~ M36



CODE No.

**GBT50** **TCH12** **125**  
 Shank      MAX Tapping      Length



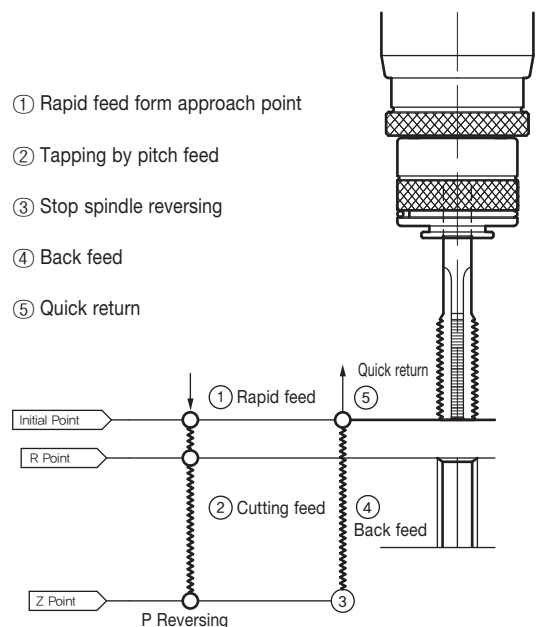
GBT Tooling System은 BT 2면구속 Spindle에서 2면구속으로 사용이 가능하며 일반 BT Spindle에서도 사용이 가능합니다.  
 GBT Tooling System can be used as the double face contact with the double face contact spindle and also used with BT standard spindle.

## PRODUCT INFORMATION

- 플로팅 타입으로 인장수축 장치 내장
- 공구교환이 빠르고 편리함
- 관통구멍과 막힌구멍의 tapping 및 모든 tap 작업 가능
- The tapping chuck is equipped with tension system by floating type.
- Easy and quick tool exchange.
- It is possible for tapping operation of blind hole and through hole.

Code No.	ød	øD	L	øC	L1		Weight (kg)
					F1	F2	
GBT30 - TCH12 - 125	19	44	100	35	6	12	1.2
GBT40 - TCH12 - 120	19	44	95	35	6	12	1.6
			125				1.9
TCH22 - 150	31	63	115	52	10	15	2.4
			177				3.0
GBT50 - TCH12 - 135	19	44	110	35	6	12	4.2
			140				4.8
			170				5.0
TCH22 - 165	31	63	132	52	10	15	5.7
			162				6.3
			192				6.9
TCH36 - 210	48	67	165	83	15	20	8.0
			195				8.5

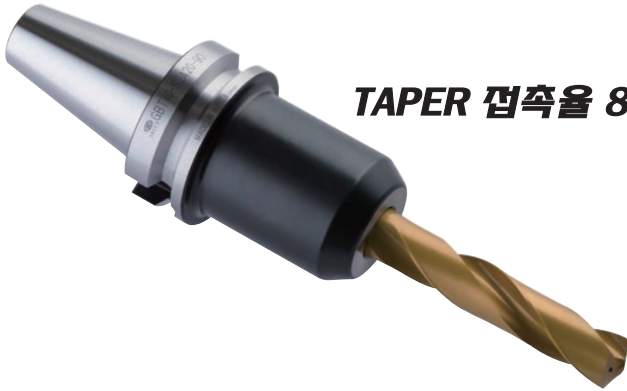
- ▶ 적용 탭콜릿은 P137
- ▶ Private tap collets are referred. P137





# SIDE LOCK HOLDER

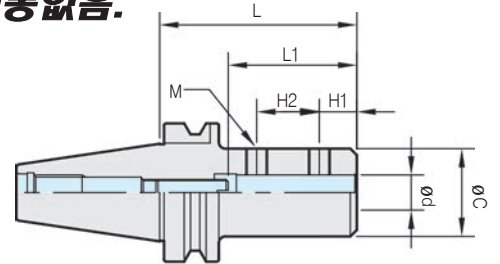
Coolant-through hole  
Clamping Range :  $\phi 6.0 \sim \phi 42.0$



CODE No.  
**GBT50** **SLA32** **105**  
 Shank Chucking Dia Length



**TAPER 접촉을 80% 이상 진동없음.**



GBT Tooling System은 BT 2면구속 Spindle에서 2면구속으로 사용이 가능하며 일반 BT Spindle에서도 사용이 가능합니다.  
 GBT Tooling System can be used as the double face contact with the double face contact spindle and also used with BT standard spindle.

## PRODUCT INFORMATION

- 드릴, 엔드밀 기타(Small chuck, Special tool)을 사용할 수 있습니다.
- SIDE LOCK HOLDER can use tool holder for drill, endmill, etc.

Code No.	$\phi d$	L	$\phi C$	L1		H1	H2	M	Weight (kg)
				Min	Max				
GBT30 - SLA 6 - 60	6	60	25	20	35	18	-	M 5	0.7
SLA 8 - 60	8		28	25	40			M 6	0.8
SLA10 - 75	10	75	35	35	45	14	15	M 8	0.9
SLA12 - 75	12		40	40	50	15	16	M10	1.0
SLA16 - 75	16		45	50	65	16	20	M12	1.1
SLA20 - 75	20		48	55	70	18		24	M14
SLA25 - 85	25	85					85		
SLA32 - 105	32	105	58	65	80	20	22	M14	1.5
GBT40 - SLA 6 - 75	6	75	25	20	35	20	-	M 5	1.2
SLA 8 - 75	8		30	25	40	18		M 6	1.2
SLA10 - 90	10	90	35	35	45	14	15	M 8	1.3
SLA12 - 90	12		40	40	50	14	16	M10	1.4
SLA16 - 90	16		45	50	65	20	20	M12	1.5
SLA20 - 90	20		50	55	70	25		25	M14
SLA25 - 90	25	52	2.0						
SLA32 - 90	32	105	62	65	80	25	25	M16	2.2
SLA40 - 105	40		72						2.5
SLA42 - 105	42	76						M16	2.6
GBT50 - SLA 6 - 90	6	90	25	20	35	18	-	M 5	3.7
SLA 8 - 90	8		28	25	40	M 6		3.9	
SLA10 - 90	10	90	35	35	45	14	15	M 8	4.1
SLA12 - 90	12		40	40	50	14	16	M10	4.2
SLA16 - 90	16	105	45	50	65	20	20	M12	4.2
- 105									4.4
SLA20 - 105	20	135	50	60	75	20	M14	4.4	
- 135								4.6	
SLA25 - 105	25	105	52	60	75	25	M16	4.4	
- 135								4.7	
- 165	5.1								
SLA32 - 105	32	105	62	65	80	25	25	M16	4.8
- 135		135							5.4
- 165		165							6.2
SLA40 - 105	40	105	72	65	80	25	25	M16	5.2
- 135		135							5.5
SLA42 - 105	42	105	76	65	80	25	25	M16	5.8
- 135		135							6.0

▶ 사이드락홀더 스페어 파츠는 P60 ▶ The spare parts for SIDE LOCK HOLDER are referred. P60

# MOLD SIDE LOCK HOLDER

GBT SHANK MOLD SIDE LOCK HOLDER

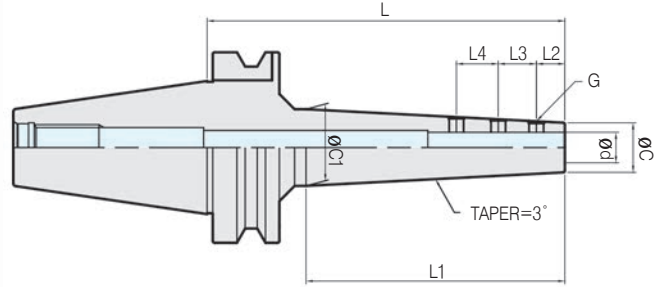
Coolant-through hole  
Clamping Range :  $\phi 3.0 \sim \phi 32.0$



CODE No.  
**GBT50** **MSL12** **150** **S**  
 Shank Chucking Dia Length  
 Gage line not included



**MAX**  
**20,000**  
**min<sup>-1</sup>**



GBT Tooling System은 BT 2면구속 Spindle에서 2면구속으로 사용이 가능하며 일반 BT Spindle에서도 사용이 가능합니다.  
 GBT Tooling System can be used as the double face contact with the double face contact spindle and also used with BT standard spindle.

## PRODUCT INFORMATION

- 쉽고빠른 공구교환
- Easy and quick tool exchange.
- 높은 정밀도
- Excellent accuracy.
- 슬림한 디자인으로 간섭부위 최소화
- Minimize interference area by slim design.

Code No.	ød	øC	øC1	L	L1	L2	L3	L4	G	MAX rpm	Weight (kg)	
GBT40 - MSL 3 - 135	3	10	20	135	94	6	6	-	M3	20,000	1.3	
MSL 4 - 135	4	11	21				7		M4		1.3	
MSL 6 - 135	6	13	23				12		13		1.4	
MSL 8 - 135	8	15	25				13.5		18		1.4	
MSL10 - 150	10	17	29	150	109	15	20	M6	15,000	1.6		
MSL12 - 150	12	22	34				16			16	M8	1.7
GBT50 - MSL12 - 150S	12	22	37				188			136	16	16
- 200S			42	238	186	16	16	12,000	5.0			
MSL16 - 150S	16	26	41	188	136	15	20	22	M8	15,000	4.6	
- 200S			46	238	186					12,000	5.1	
- 250S			51	288	236					10,000	5.9	
MSL20 - 150S			45	188	136					15,000	4.7	
- 200S	20	30	50	238	186	15	20	22	M8	12,000	5.3	
- 250S	55	288	236	10,000	6.0							
MSL25 - 150S	50	188	136	15,000	4.8							
- 200S	25	35	55	238	186					M10	12,000	5.4
- 250S	60	288	236	10,000	6.2							
MSL32 - 150S	55	188	136	15,000	4.8							
- 200S	32	40	60	238	186	M10	12,000	5.4				
- 250S	65	288	236	10,000	5.6							
										10,000	6.4	

- ▶ MSL홀더 볼트는 SELUX 전용 볼트를 사용하시기 바랍니다.
- ▶ 육각렌치는 별도 판매입니다.
- ▶ S Type는 표준길이(+38mm)
- ▶ Please only use SELUX private bolt for MSL HOLDER.
- ▶ Wrench is ordered separately.
- ▶ S type is extended by 38mm compare to standard type.

## MSL BOLT

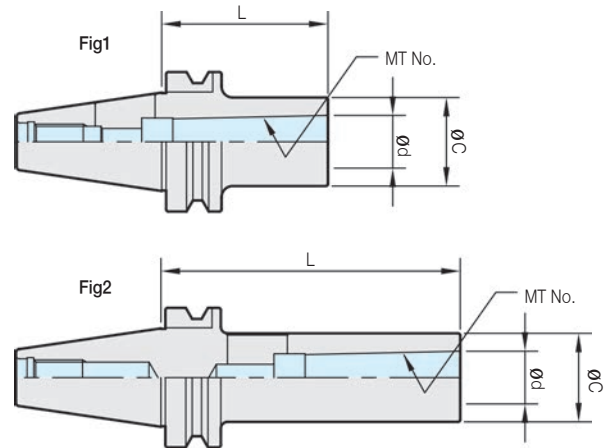
Item	Size	Length/pcs	chuck
MSL3 - BS	M3*0.5P	5mm / 2pcs.	MSL3
MSL4 - BS	M4*0.5P	5mm / 2pcs.	MSL4
MSL6 - BS	M6*0.75P	5, 6mm / 1pcs, Each	MSL6
MSL8 - BS		5, 6mm / 1pcs, Each	MSL8
MSL10 - BS	M8*0.75P	7mm / 1pcs, 8mm / 1pcs, 9mm / pcs.	MSL10
MSL12 - BS			MSL12
MSL16 - BS			MSL16
MSL20 - BS			MSL20
MSL25 - BS	M10*10P	7mm / 1pcs, 8mm / 1pcs, 9mm / pcs.	MSL25
MSL32 - BS			MSL32

# MORSE TAPER HOLDER

■ for Morse taper shank with tang.



CODE No.  
**GBT50** | **MTA1** | **45**  
 Shank | Morse Taper No. | Length



**TAPER 접촉을 80% 이상 진동없음.**

GBT Tooling System은 BT 2면구속 Spindle에서 2면구속으로 사용이 가능하며 일반 BT Spindle에서도 사용이 가능합니다.  
 GBT Tooling System can be used as the double face contact with the double face contact spindle and also used with BT standard spindle.

## PRODUCT INFORMATION

■ Drill, reamer, 기타(MT Shank type tool)등을 사용할 수 있습니다.

■ MORSE TAPER HOLDER can use tool holder for drill, reamer, etc.

Code No.	ød	MT No.	L	øC	Fig	Weight (kg)
GBT30 - MTA1 - 45	12,065	1	45	25	1	0,5
MTA2 - 60	17,780	2	60	32		0,5
MTA3 - 80	23,825	3	80	40		0,5
GBT40 - MTA1 - 45	12,065	1	45	25	1	1,0
- 120			120		2	1,3
MTA2 - 60	17,780	2	60	32	1	1,0
- 120			120		2	1,5
MTA3 - 75	23,825	3	75	40	1	1,0
- 135			135		2	1,7
MTA4 - 95	31,267	4	95	50	1	1,6
- 165			165		2	1,7
GBT50 - MTA1 - 45			12,065		1	45
- 120	120	2		4,2		
- 180	180	2		4,3		
MTA2 - 45	17,780	2	45	32	1	3,9
- 135			135		2	4,3
- 180			180			4,6
MTA3 - 45	23,825	3	45	40	1	3,8
- 150			150		2	4,6
- 180			180			4,9
MTA4 - 75	31,267	4	75	50	1	3,9
- 180			180		2	5,4
MTA5 - 105			44,399		5	105
- 210	210	2		7,2		

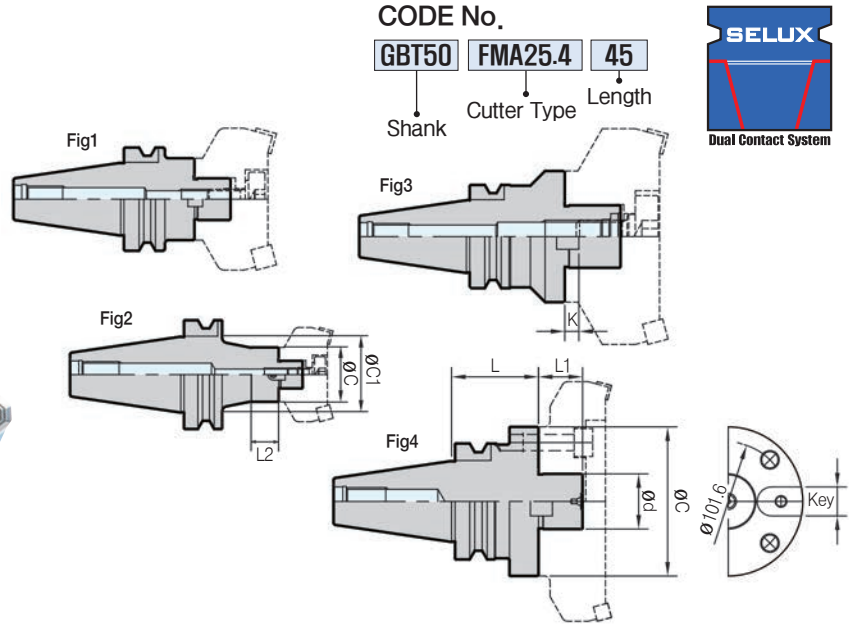
## Drill Dia and Shank

Shank		MT1	MT2	MT3	MT4	MT5
Drill dia	Min	3,0	14,5	23,5	32,0	51,0
	Max	14,0	23,0	31,5	50,0	76,0

# FACE MILL ARBOR



GBT SHANK  
FACE MILL ARBOR



GBT Tooling System은 BT 2면구속 Spindle에서 2면구속으로 사용이 가능하며 일반 BT Spindle에서도 사용이 가능합니다.  
GBT Tooling System can be used as the double face contact with the double face contact spindle and also used with BT standard spindle.

## PRODUCT INFORMATION

■ JIS B4113 face milling용 입니다.      ■ For face-milling cutter conforming to JIS B4113.

Code No.	ød	Cutter Dia	L	øC	øC1	L1	L2	Key	K	Fig	Weight (kg)				
GBT30 - FMA25.4 - 45	25.4	80	45	50	-	22	-	K9.5 - S	5	3	0.8				
			60	60							K12.7 - S	7	1.0		
GBT40 - FMA25.4 - 45	25.4	80	45	50	-	22	-	K9.5 - S	5	1	1.4				
			90	50							K9.5 - L	5	3.0		
FMA31.75 - 45	31.75	100	45	60	-	30	-	K12.7 - S	7	7	2.0				
			75	60							K12.7 - S	7	3.2		
			75	60							K12.7 - S	7	3.2		
FMA38.1 - 60	38.1	125	60	80	-	34	-	K15.85 - S	9	3	3.8				
			75	80							K15.85 - S	9	3.8		
GBT50 - FMA25.4 - 45	25.4	80	45	50	-	22	-	K9.5 - S	5	1	3.8				
			60	50							60	25	K9.5 - L	2	4.5
			70	50							70	25			5.5
FMA31.75 - 45	31.75	100	45	60	-	30	-	K12.7 - S	7	1	4.6				
			75	60							75	25	K12.7 - L	2	5.2
			105	60							105				25
			150	60							150	25	7.0		
FMA38.1 - 45	38.1	125	45	80	-	34	-	K15.85 - S	9	1	4.3				
			75	80							75	K15.85 - L	9	5.0	
			105	80							105			5.5	
			150	80							150	8.5			
FMA50.8 - 45	50.8	160	45	100	-	36	-	K19 - S	10	1	4.8				
			75	100							75	K19 - S	10	6.8	
			105	100							105			7.8	
FMA47.625 - 75	47.625	200	75	128.5	-	38	-	K25.4	12.5	4	7.6				

▶ 페이스밀아바 스페어 파트는 P71

▶ The spare parts for FACE MILL ARBOR are referred. P71

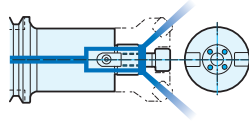




# FACE MILL ARBOR

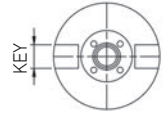
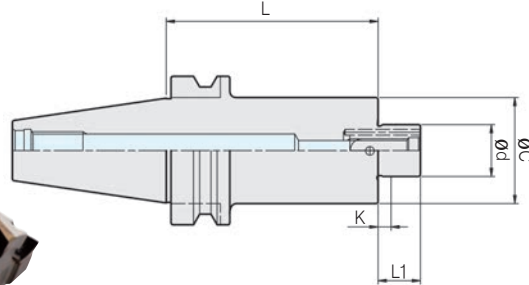
GBT SHANK

FACE MILL ARBOR



CODE No.

**GBT50** **FMH22** **105**  
Shank Cutter Type Length



GBT Tooling System은 BT 2면구속 Spindle에서 2면구속으로 사용이 가능하며 일반 BT Spindle에서도 사용이 가능합니다.  
GBT Tooling System can be used as the double face contact with the double face contact spindle and also used with BT standard spindle.

## PRODUCT INFORMATION

- 쿨런트 컷터 전용
- 컷터 가공성 향상 및 공구사용시간 증가
- Only use coolant cutter.
- Improve tool life and cutting operation.

Code No.	ød	øC	L	L1	K	KEY	Weight (kg)
GBT30 - FMH16 - 45	16	38	45	16	5	K8-S	1.2
FMH22 - 45	22	45		90	18	5.5	K10-S
- 90							
FMH27 - 45	27	60	45	20	6	K12-S	1.5
GBT40 - FMH16 - 45	16	38	45	16	5	K8-S	1.7
FMH22 - 45	22	45		90	18	5.5	K10-S
- 90							
FMH27 - 60	27	60	60	20	6	K12-S	2.5
- 90			90			K12-L	3.4
FMH32 - 60	32	80	60	22	7	K14-S	3.4
FMH25,4 - 60	25,4	70		90	20	6	K9,5-S
- 90							
FMH31,75 - 60	31,75	76	60	30	7	K12,7-S	2.7
- 90			90				3.2
FMH38,1 - 60	38,1	85	60	34	9	K15,85-S	4.7
- 90			90			K15,85-L	5.0
GBT50 - FMH22 - 60	22	45	60	18	5,5	K10-S	3,6
- 105			105				5,5
- 150			150				7,3
FMH27 - 90	27	60	90	20	6	K12-L	6,0
- 150			150				7,5
FMH32 - 90	32	80	90	22	7	K14-L	6,5
- 150			150				9,0
FMH25,4 - 90	25,4	70	90	20	6	K9,5-L	6,0
- 150			150				7,9
FMH31,75 - 90	31,75	76	90	30	7	K12,7-L	6,5
- 150			150				8,2
FMH38,1 - 90	38,1	85	90	34	9	K15,85-L	7,0
- 150			150				9,0

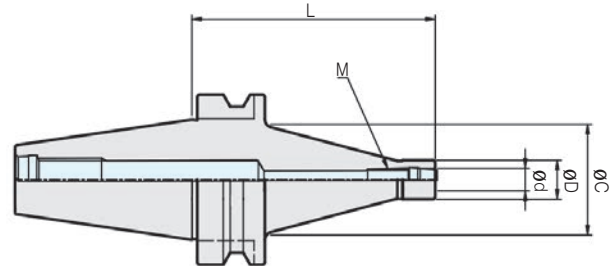
▶ FMH 클램프볼트 및 부품은 일반 FMA, FMC 아바와 호환합니다.  
▶ 페이스밀아바 스페어 파트는 P71

▶ FMH clamp bolt and other parts is compatible with FACE MILL ARBOR FMA, FMC.  
▶ The spare parts for FACE MILL ARBOR are referred. P71

# PRO MILL ARBOR



CODE No.  
**GBT50** **M06** **135**  
 Shank Cutter Type Length



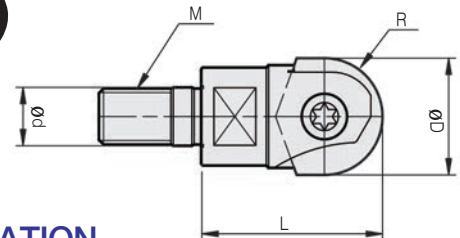
GBT Tooling System은 BT 2면구속 Spindle에서 2면구속으로 사용이 가능하며 일반 BT Spindle에서도 사용이 가능합니다.  
 GBT Tooling System can be used as the double face contact with the double face contact spindle and also used with BT standard spindle.

## PRODUCT INFORMATION

- 모듈라 방식으로 원가 절감
- 높은 정밀도
- 이면구속 체결로 흔들림 감소
- 헤드 교체로 다양한 작업가능
- Cost reduction effect with modular system.
- Excellent accuracy.
- Vibration damping effect due to dual face contact.
- A various operation with exchanging head.

Code No.	ød	L	øD	øC	M	Weight (kg)	
GBT40 - M06 - 90	6,5	90	10	40	M6	1,2	
		120				1,5	
M08 - 90	8,5	90	14,4		M8	1,2	
		120				1,5	
M10 - 90	10,5	90	18		M10	1,3	
		120				1,5	
		150				1,9	
M12 - 120	12,5	120	22,5		M12	1,5	
		150				1,9	
GBT50 - M06 - 135	6,5	135	10		65	M6	4,2
		165					4,9
M08 - 135	8,5	135	14,4			M8	4,2
		165		4,9			
M10 - 135	10,5	135	18	M10		4,2	
		165				4,9	
		135				4,2	
M12 - 135	12,5	135	22,5	M12		4,2	
		165				4,9	

# PRO MILL CUTTER(Ball Type)



## PRODUCT INFORMATION

- HITACHI 인서트 호환
- 정삭 R작업 최적화
- Compatible with HITACHI insert.
- Optimal for R-finishing operation.

Code No.	R	øD	L	ød	M	Insert	Screw	Wrench
R05M0630	5	10	30	6,5	M6	ZPFG100, ZCFW100	TNS-5842	TXL-10
R06M0630	6	12				ZPFG120, ZCFW120	TNS-5843	TXT-20
R08M0830	8	16				ZPFG160, ZCFW160	TNS-5844	
R10M1035	10	20	35	10,5	M10	ZPFG200, ZCFW200	TNS-5845	TXT-25
R12M1240	12,5	25	40	12,5	M12	ZPFG250, ZCFW250	TNS-5846	TXT-30

▶ 다양한 Type의 컷터 제작가능합니다.  
 ▶ 전용 스패너는 별매입니다.

▶ Cutters can be made of a variety of Type.  
 ▶ Spanner is orderd seperately.

# SIDE CUTTER ARBOR

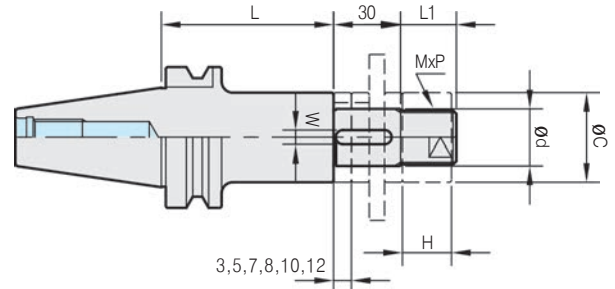
GBT SHANK

SIDE CUTTER ARBOR



CODE No.

**GBT50** **SCA25.4** **90**  
 Shank Cutter Type Length



GBT Tooling System은 BT 2면구속 Spindle에서 2면구속으로 사용이 가능하며 일반 BT Spindle에서도 사용이 가능합니다.  
 GBT Tooling System can be used as the double face contact with the double face contact spindle and also used with BT standard spindle.

## PRODUCT INFORMATION

- JIS B4219,4109,4107 side cutter type 입니다.      ■ For side cutters conforming to JIS B4219, 4019, and 4107.
- Key, collar 및 nut는 부착되어 있습니다.      ■ Key, collar and nut attached.

Code No.	ød	L	øC	L1	W	H	M x P	Weight (kg)
GBT30 - SCA25,4 - 60	25,4	60	40	25	6,35	21	M24X1,5	0,9
GBT40 - SCA25,4 - 75	25,4	75	40	25	6,35	21	M24X1,5	2,1
		120						2,5
SCA31,75 - 90	31,75	90	46	30	7,93	26	M30X1,5	2,6
		120						2,9
GBT50 - SCA25,4 - 90	25,4	90	40	25	6,35	21	M24X1,5	4,7
		135						5,0
SCA31,75 - 90	31,75	90	46	30	7,93	26	M30X1,5	5,1
		135						5,7
SCA38,1 - 90	38,1	90	55	36	9,53	31	M36X1,5	5,8
		135						6,8

Spare Parts			
Type	Parallel Key	Collar	Lock Nut
SCA25,4	6,35 x 6,35 x 25	SCA25,4 -Set	SCA-M24
SCA31,75	7,92 x 7 x 25	SCA31,75 -Set	SCA-M30
SCA38,1	9,52 x 8 x 25	SCA38,1 -Set	SCA-M36





# HYDRAULIC CHUCK



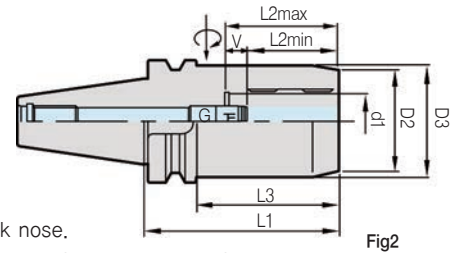
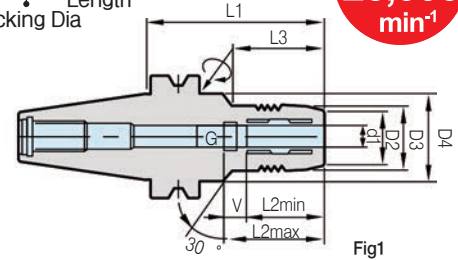
Coolant-through hole  
Clamping Range :  $\phi 3.0 \sim \phi 32.0$



CODE No.

**BT50** **SHC20** **140**  
Shank      Chucking Dia      Length

**MAX**  
**25,000**  
**min<sup>-1</sup>**



## PRODUCT INFORMATION

- 4D 선단에서 3 $\mu$ m이내의 흔들림정도
- 높은 정밀도와 고속가공에 최적화
- 유압방식의 강력한 파지력
- 렌치 하나로 쉽게 공구고정
- 3 $\mu$ m(T.I.R) Run-out at 4D away from shank nose.
- The optimal chck for excellent accuracy and high speed operation.
- Powerful clamping force of hydraulic type.
- Easy clamping with just one wrench.

CODE NO.	d1	D2	D3	D4	L1	L2min	L2max	V	L3	G	Type	Weight (kg)	
BT30 - SHC 6 - 70	6	25	28	45	70	27,5	37,5	10	28	M5X0,8	Fig1	0,65	
SHC 8 - 70	8	27	30		75	32,5	42,5		38	M6X1,0			
SHC10 - 75	10	29	32		85	37,5	47,5		36				
SHC12 - 75	12	31	34		44	90	42,5		52,5			48	M8X1,0
SHC14 - 85	14	33	36		90					0,80			
SHC16 - 90	16	35	38		90					0,90			
SHC18 - 90	18	38	41		-	90	42,5		52,5	48		M8X1,0	0,90
SHC20 - 90	20	40	42	-	90	42,5	52,5	48	M8X1,0	0,90			
BT40 - SHC 6 - 65	6	25	28	50	65	27,5	37,5	10	23	M5X0,8	Fig1	1,0	
- 90					90				44			1,3	
- 140					140				44			1,9	
SHC 8 - 65	8	27	30		65	27,5	37,5		23	M6X1,0		1,0	
- 90					90				39			1,3	
- 140					140				44			1,9	
SHC10 - 65	10	29	32		65	32,5	42,5		23	M6X1,0		1,1	
- 90					90				44			1,35	
- 140					140				44			1,95	
SHC12 - 65	12	31	34		65	37,5	47,5		23	M6X1,0		1,1	
- 90					90				44			1,35	
- 140					140				44			1,96	
SHC14 - 65	14	33	36		65	37,5	47,5		23	M6X1,0		1,2	
- 90					90				44			1,35	
- 140					140				44			1,96	
SHC16 - 65	16	35	38	65	42,5	52,5	23	M8X1,0	1,15				
- 90				90			48		1,4				
- 140				140			48		1,96				
SHC18 - 75	18	38	41	75	42,5	52,5	30	M8X1,0	1,15				
- 90				90			48		1,45				
- 140				140			48		1,98				
SHC20 - 75	20	40	43	75	51	61	30	M16X1,0	1,2				
- 90				90			108		1,5				
- 140				140			48		2,0				
SHC25 - 100	25	53	57	100	55	65	73	M16X1,0	1,7				
- 135				135			108		2,3				
SHC32 - 105				32			58		63	100	2,1		
- 135	135	108	2,6										

BT SHANK  
HYDRAULIC CHUCK

# HYDRAULIC CHUCK



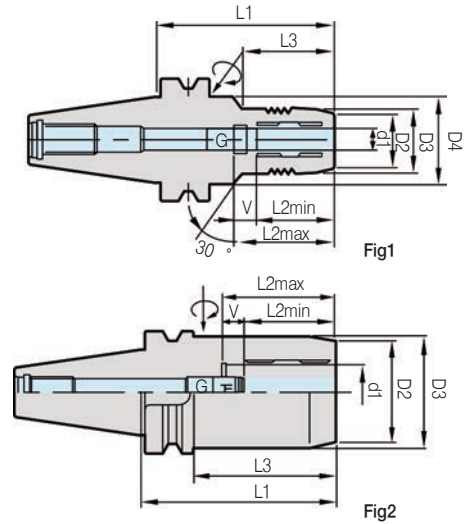
Coolant-through hole  
Clamping Range :  $\varnothing 3.0 \sim \varnothing 32.0$



CODE No.

**BT50** **SHC20** **140**  
Shank Chucking Dia Length

**MAX**  
**25,000**  
**min<sup>-1</sup>**



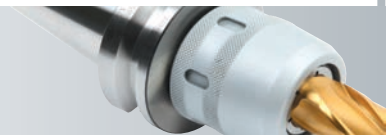
BT SHANK HYDRAULIC CHUCK

CODE NO.	d1	D2	D3	D4	L1	L2min	L2max	V	L3	G	Type	Weight (kg)
BT50 - SHC 6 - 90	6	25	28	50	90	27.5	37.5	10	32	M5X0.8	Fig1	3.75
					120				44			4.1
					140				44			4.7
SHC 8 - 90	8	27	30		90	37.5	47.5		32	3.75		
					120				40	4.1		
					140				44	4.7		
SHC10 - 90	10	29	32		90	42.5	42.5		32	3.9		
					120				44	4.3		
					140				44	4.9		
SHC12 - 90	12	31	34		90	47.5	47.5		32	3.9		
					120				44	4.3		
					140				44	4.9		
SHC14 - 90	14	33	36		90	42.5	52.5		32	3.9		
					120				44	4.3		
					140				44	4.9		
SHC16 - 90	16	35	38	90	52.5	52.5	32	4.0				
				120			48	4.4				
				140			48	5.0				
SHC18 - 90	18	38	41	90	61	61	32	4.0				
				120			48	4.4				
				140			48	5.0				
SHC20 - 90	20	40	43	90	65	65	32	4.0				
				120			48	4.4				
				140			48	5.0				
SHC25 - 105	25	53	57	105	55	65	67	4.4				
				150			112	5.6				
				115			77	4.7				
SHC32 - 115	32	58	63	150	55	65	112	4.7				
				150			112	6.0				

- ▶ 유압척 사용시 절삭공구 Shank공차는 h6 안에 들어오는 절삭공구 사용을 권장합니다.
- ▶ 유압척 SHC12, SHC20, SHC32는 D또는 OD콜릿을 사용하여 다양하게 공구를 척킹 할 수 있습니다.
- ▶ 유압척 전용 콜릿은 **P132~P133**
- ▶ 척킹시 필요한 렌치는 부속되어 있습니다.
- ▶ 황삭작업에는 권장하지 않습니다.

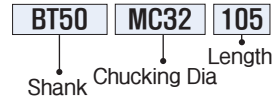
- ▶ Tolerance of cutting tool shank should be configured within h6.
- ▶ HYDRAURIC CHCUK SHC12, SHC20, SHC32 are possible to use various shank cutting tool with D or OD COLLET.
- ▶ HYDRAURIC COLLET are refered. **P132~P133**
- ▶ Wrench is included.
- ▶ We do not recommend to use hydraulic chuck for roughing operation.

# MILLING CHUCK

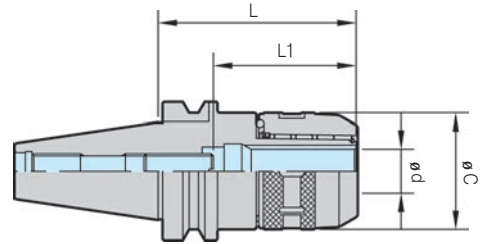
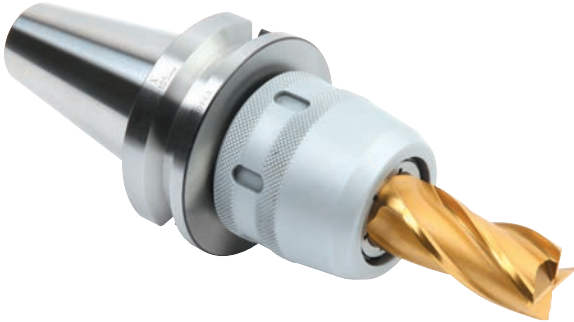


Coolant-through hole  
Clamping Range :  $\varnothing 3.0 \sim \varnothing 42.0$

CODE No.



BT SHANK  
MILLING CHUCK



## PRODUCT INFORMATION

- 높은 정밀도
- Excellent Run-out Accuracy.
- 3.5D 선단에서 5 $\mu$ m이내의 흔들림정도
- 5 $\mu$ m(T.I.R) Run-out at 3.5D away from shank nose.
- 간편한 척킹 시스템
- Easy chucking system.
- Taper 접촉 80%이상 Taper공차 AT3로 보증
- More than 80% taper contact, we guarantee taper tolerance AT3.
- 완전한 단면 밀착으로 강력 절삭
- The strongest cutting power due to perfect face contact construction.
- 4베열 Roller System 방식으로 강력한 파지력
- Powerful clamping force by 4 needle roller system.

CODE NO.	$\varnothing d$	L	$\varnothing C$	L1	Collet	Weight (kg)
BT30 - MC 20 - 75	20	75	53	70	K20, NC20	1.0
MC 25 - 80	25	80	62		K25, NC25	1.2
MC 32 - 100	32	100	72		K32, NC32	1.4
BT40 - MC 20 - 80	20	80	53	82	K20, NC20	1.5
90		90				1.6
105		105				1.7
120		120				1.9
MC 25 - 80		80				62
90	90	2.2				
105	105	2.4				
120	120	2.7				
MC 32 - 85	85	72	80	K32, NC32	2.0	
105	105				2.4	
120	120				2.7	

Spare Parts		
Type	Option	
	Collet	Spanner
MC20	K20-NC20	MC20-SP(50-55)
MC25	K25-NC25	MC25-SP(56-61)
MC32	K32-NC32	MC32-SP(68-75)
MC42	K42-NC42	MC42-SP(88-96)

- ▶ 고속 바란스 작업시 추가 비용이 청구됩니다.
- ▶ Extra charge for high speed balance.
- ▶ 밀링척은 콜릿을 사용하여 다양한 Shank의 공구들을 체결할 수 있습니다.
- ▶ MILLING CHUCK is possible to use cutting tools of a various shank with COLLET.
- ▶ 밀링척 전용 콜릿은 P134~P136
- ▶ K-COLLET are referred. P134~P136
- ▶ 밀링척 스패너는 별도 판매품 입니다. P149
- ▶ Spanner is ordered separately. P149



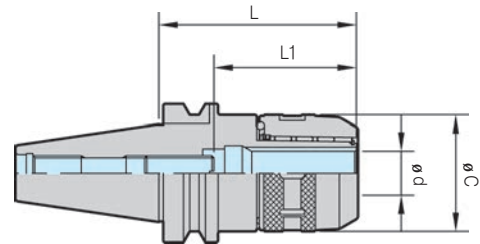
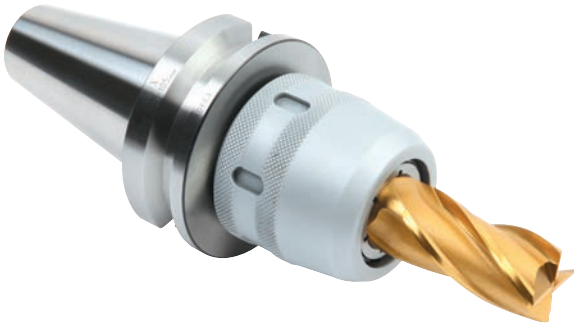
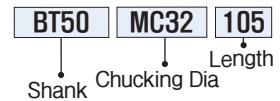
# MILLING CHUCK



Coolant-through hole

Clamping Range :  $\varnothing 3.0 \sim \varnothing 42.0$

CODE No.



BT SHANK MILLING CHUCK

## PRODUCT INFORMATION

- 높은 정밀도
- 3.5D 선단에서 5 $\mu$ m이내의 흔들림정도
- 간편한 척킹 시스템
- Taper 접촉 80%이상 Taper공차 AT3로 보증
- 완전한 단면 밀착으로 강력 절삭
- 4배열 Roller System 방식으로 강력한 파지력
- Excellent Run-out Accuracy.
- 5 $\mu$ m(T.I.R) Run-out at 3.5D away from shank nose.
- Easy chucking system.
- More than 80% taper contact, we guarantee taper tolerance AT3.
- The strongest cutting power due to perfect face contact construction.
- Powerful clamping force by 4 needle roller system.

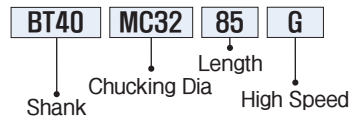
CODE NO.	$\varnothing d$	L	$\varnothing C$	L1	Collet	Weight (kg)			
BT50 - MC 20 - 90	20	90	53	82	K20, NC20	4.1			
105		105				4.4			
120		120				4.6			
135		135				4.8			
165		165				5.3			
200		200		6.0					
250		250		7.5					
300		300		9.5					
MC 25 - 90		25		90		62	90	K25, NC25	4.5
105				105					4.8
120	120		5.0						
135	135		5.2						
165	165		5.6						
200	200		6.5						
250	250		8.0						
300	300		10.0						
MC 32 - 95	32	95	72	105	K32, NC32	4.7			
105		105		110		4.9			
120		120		5.3					
135		135		5.7					
165		165		6.5					
200		200		7.5					
250		250		9.2					
300		300		10.6					
350		350		12.5					
400		400		15.0					
MC 42 - 105		42		105		94	120	K42, NC42	5.5
120				120			125		6.2
135	135		130	6.9					
165	165		8.3						
200	200		9.5						
250	250		11.8						
300	300		14.0						
350	350		17.5						
400	400		19.2						

# HIGH SPEED MILLING CHUCK

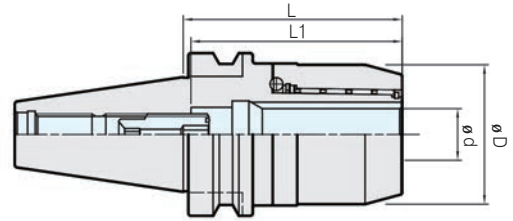
Coolant-through hole

Clamping Range :  $\phi 3.0 \sim \phi 32.0$

CODE No.



**MAX**  
25,000  
min<sup>-1</sup>



## PRODUCT INFORMATION

- 고속 가공에서 높은 정도
- 강력한 파지력
- 3.5D 선단에서 5 $\mu$ m이내의 흔들림 정도
- 스패너는 GH 스패너 사용(별매)
- G6.3 max 25,000RPM
- 원형너트로 고속 절삭시 소음 감소

- Excellent Run-out Accuracy.
- Powerful clamping force.
- 5 $\mu$ m(T.I.R)Run-out at 3.5D away from shank nose.
- GH spanner is orderd seperately.
- G6.3 max 25,000 RPM.
- The operation noise is reduced by assembled circle style nut.

CODE NO.	$\phi d$	L	$\phi C$	L1	Collet	MAX rpm	Weight (kg)
BT30 - MC20 - 75G	20	75	48	70	K20, NC20	25,000	0.6
MC25 - 80G	25	80	55		K25, NC25		0.9
BT40 - MC20 - 80G	20	80	48	82	K20, NC20	25,000	1.3
- 90G		90					1.4
MC25 - 80G	25	80	55	85	K25, NC25	20,000	1.5
- 90G		90					1.6
MC32 - 85G	32	85	68	80	K32, NC32	20,000	1.6
- 105G		105		90			2.0
BT50 - MC20 - 105G	20	105	48	105	K20, NC20	20,000	4.1
- 135G		135					4.4
MC25 - 105G	25	105	55	90	K25, NC25	15,000	4.4
- 135G		135					4.8
MC32 - 105G	32	105	68	110	K32, NC32	15,000	4.7
- 135G		135		135			5.2

Type	Spare Parts	
	Option	
	Collet	Spanner
MC20-G	K20-NC20	MC20-GH
MC25-G	K25-NC25	MC25-GH
MC32-G	K32-NC32	MC32-GH

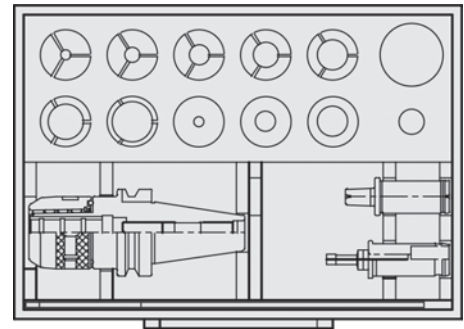
- ▶ 고속형밀링척은 콜릿을 사용하여 다양한 Shank의 공구들을 체결할 수 있습니다. ▶ High speed MILLING CHUCK is possible to use cutting tools of a various shank with COLLET.
- ▶ 밀링척 전용 콜릿은 P134 ~ P136 ▶ K-COLLET is refered. P132~P133
- ▶ 고속형밀링척 GH스패너는 별도 판매품 입니다. P149 ▶ GH SPANNER for high speed milling chuck is ordered separately. P149

# MILLING CHUCK SET

Coolant-through hole  
Clamping Range :  $\varnothing 3.0 \sim \varnothing 42.0$

CODE No.

**BT40** **MC32** **85** **SET**  
 ↓ ↓ ↓ ↓  
 Shank Chucking Dia Length SET



BT SHANK MILLING CHUCK SET

## PRODUCT INFORMATION

- HSK/SK SET는 주문제작 합니다.
- HSK/SK is available for request.

Code No.	Body	K- Collet	MT collet	JT Collet	Spanner
BT40-MC32- 85 SET	BT40-MC32-85	K32-6,8,10,12,16,20,25	K32-MT1,2,3	K32-JT6	MC32-SP
BT50-MC32-105 SET	BT50-MC32-105	K32-6,8,10,12,16,20,25	K32-MT1,2,3	K32-JT6	MC32-SP
BT50-MC42-105 SET	BT50-MC42-105	K42-6,8,10,12,16,20,25,32	K42-MT1,2,3,4	K42-JT6	MC42-SP

- ▶ 포장용 나무케이스는 별도로 판매하지 않습니다.
- ▶ GBT, HSK, CAT, SK 타입은 별도로 주문하셔야됩니다.

- ▶ You can not order only wooden case for set.
- ▶ GBT, HSK, CAT, SK TYPE are ordered separately.

# SHRINK FIT HOLDER



Coolant-through hole

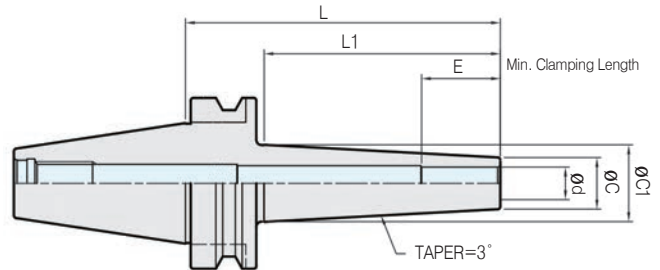
Clamping Range :  $\phi 3.0 \sim \phi 12.0$



CODE No.

**BT40** **SSF10** **S** **120**  
 Shank Chucking Dia Shim Length

**MAX**  
**25,000**  
 min<sup>-1</sup>



## PRODUCT INFORMATION

- 4D선단에서 3 $\mu$ m이내의 흔들림 정도
- 높은 정밀도와 강력한 파지력
- 대칭적,슬림한 디자인으로 가공최적화
- 전제품 내부급유 (Coolant Through Hole)
- 3 $\mu$ m(T.I.R) Run-out at 4D away from shank nose.
- Excellent Run-out accuracy and powerful clamping.
- Optimal operation with slim and symmetrical design.
- All products can be used for center through coolant type.

Code No.	$\phi d$	$\phi C$	$\phi C1$	L	L1	E	Weight (kg)
BT30 - SSF 4S - 80	4	7	20	80	42	12	0,4
SSF 6S - 80	6	11	17		55	18	0,4
- 120			21	120	95	0,45	
SSF 8S - 80	8	13	19	80	55	24	0,4
- 120			23	120	95		0,45
SSF10S - 80	10	16	22	80	55	30	0,4
- 120			26	120	95		0,45
SSF12S - 80	12	19	25	80	55		0,5
- 120			29	120	95	0,55	
BT40 - SSF 3S - 90	3	6	26	90	37	9	1,0
SSF 4S - 90	4	7			12	1,0	
SSF 6S - 120	6	11	20	120	90	18	1,1
- 160			25	160	130		1,2
SSF 8S - 120	8	13	22	120	90	24	1,1
- 160			27	160	130		1,3
SSF10S - 120	10	16	25	120	90	30	1,1
- 160			30	160	130		1,4
SSF12S - 120	12	19	28	120	90		1,2
- 160			33	160	130	1,4	
BT50 - SSF 6S - 120	6	11	19	120	79	18	3,8
- 160			23	160	119		4,1
SSF 8S - 120	8	13	21	120	79	24	3,8
- 160			25	160	119		4,1
SSF10S - 120	10	16	24	120	79	30	3,9
- 160			28	160	119		4,2
SSF12S - 120	12	19	27	120	79		3,9
-160			31	160	119	4,3	

- ▶ 열박음홀더 사용시 절삭공구 Shank경은 h6의 제품을 사용해 주십시오.
- ▶ 절삭공구는 초경 Shank만 대응합니다. (하이스 제품 사용금지)
- ▶ 열박음홀더 사용시 지정된 고주파 히팅기를 사용해서 절삭공구 체결을 권장합니다.
- ▶ SELUX 고주파 히팅기는 **P145**
- ▶ 절삭공구 최소 삽입길이를 준수해 주시기 바랍니다.
- ▶ 공구길이조정 Stopper는 별도 판매 입니다. **P145**
- ▶ 열박음홀더 사용시 오일홀 풀스터드 볼트를 권장합니다.
- ▶ 열박음척 사용시 척 내경에 있는 방청유를 제거후에 사용하셔야 합니다. 내구성 저하 원인이 됩니다.

- ▶ Please use only carbide cutting tools of a shank tolerance within H6.
- ▶ Please use only carbide cutting tools for shrink fit holder. (Prohibit use HSS CUTTING TOOLS)
- ▶ We recommend shrink fit equipment when you use shrink fit holder.
- ▶ SELUX shrink fit equipment is refered. **P145**
- ▶ Please follow minimum insertion length of the cutting tools.
- ▶ Stopper for adjusting cutting tool length order separately. **P145**
- ▶ We recommend oil hole Pull stud bolt for shrink fit holder.
- ▶ Please clean the shank outside and inside of shrink fit before use. If you don't clean the shrink fit, it has problem about Run-out and toolife.



# SHRINK FIT HOLDER

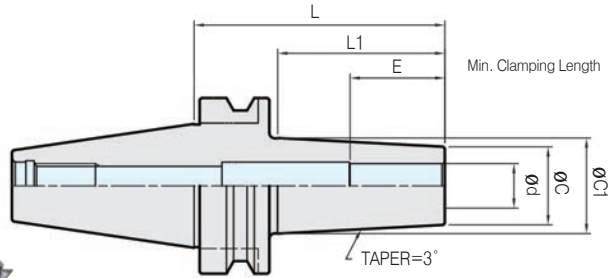


Coolant-through hole  
Clamping Range :  $\phi 3.0 \sim \phi 20.0$

CODE No.

**BT40** **SSF10** **160**  
Shank Chucking Dia Length

**MAX**  
**25,000**  
min<sup>-1</sup>



## PRODUCT INFORMATION

- 4D선단에서 3 $\mu$ m이내의 흔들림 정도
- 높은 정밀도와 강력한 파지력
- 대칭적, 슬림한 디자인으로 가공최적화
- 전제품 내부급유 (Coolant Through Hole)
- 3 $\mu$ m(T.I.R) Run-out at 4D away from shank nose.
- Excellent Run-out accuracy and powerful clamping.
- Optimal operation with slim and symmetrical design.
- All products can be used for center through coolant type.

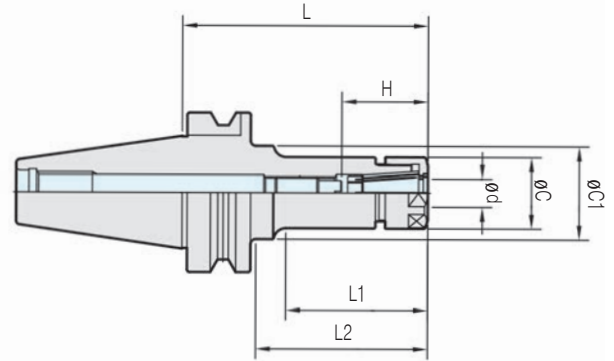
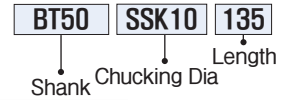
Code No.	$\phi d$	$\phi C$	$\phi C1$	L	L1	E	Weight (kg)
BT30 - SSF 3 - 80	3	7.5	25	80	27	9	0.7
SSF 4 - 80	4	10				12	0.7
SSF 6 - 80	6	14	20		18	0.7	
SSF 8 - 80	8	18	24		24	0.8	
SSF10 - 80	10	22	28		30	0.8	
SSF12 - 80	12	24	30			0.8	
SSF16 - 80	16	28	34	34	0.8		
BT40 - SSF 3 - 90	3	7.5	26	90	37	9	1.0
SSF 4 - 90	4	10				12	1.0
SSF 6 - 90	6	14	20		60	18	1.2
- 160			21	160	130		1.4
SSF 8 - 90	8	18	24	90	24	1.2	
- 160			32	160		130	1.4
SSF10 - 90	10	22	28	90	30	1.3	
-160			36	160		130	1.5
SSF12 - 90	12	24	30	90		1.3	
- 160			38	160		130	1.6
SSF16 - 90	16	28	34	90	34	1.3	
- 160			42	160		130	1.8
SSF20 - 90	20	34	40	90	40	1.3	
- 160			48	160		130	2.1
BT50 - SSF 6 - 100	6	14	20	100	130	18	3.7
- 160			26	160			70
SSF 8 - 100	8	18	24	100	59	24	3.7
- 160			30	160			119
SSF10 - 100	10	22	28	100	59	30	3.8
- 160			34	160			119
SSF12 - 100	12	24	30	100	59		3.8
- 160			36	160			119
SSF16 - 100	16	28	34	100	59	34	3.8
- 160			40	160			119
SSF20 - 100	20	34	46	100	59	40	3.9
-160			53	160			119

BT SHANK SHRINK FIT HOLDER

# SSK COLLET CHUCK

Coolant-through hole  
Clamping Range :  $\phi 1.0 \sim \phi 25.4$

CODE No.



## PRODUCT INFORMATION

- 8° Taper 의 강력한 파지력
- 높은 정밀도와 빠른 가공에 적합
- 드릴, 센터드릴, 엔드밀, 탭, 리머용으로 사용
- Powerful clamping force of 8° taper.
- Excellent Run-out Accuracy.
- SSK COLLET CHUCK is suitable for a various operation using drill, endmill, tap and reamer.

Code No.	$\phi d$	L	$\phi C$	$\phi C1$	H	L1	L2	Collet	Weight (kg)
BT30 - SSK 6 - 60	0.9~6.0	60	19.5	19.5	21~35	33	33	SC6	0.7
		90		32		56	65		0.7
SSK10 - 45	1.75~10.0	45	27.5	27.5	30~50	22	22	SC10	0.8
		60				35	35		0.9
		90				65	65		1.0
		120				95	95		1.1
		120				95	95		1.1
SSK13 - 60	2.75~13.0	60	33	33	31~50 31~65	35	35	SC13	1.0
		90				65	65		1.1
		120				95	95		1.2
SSK16 - 60	2.75~16.0	60	40	40	45~60 45~65	37	37	SC16	1.1
		90				67	67		1.2
		120				97	97		1.3
SSK20 - 75	3.6~20.0	75	48.5	48.5	65~70 65~75	53	53	SC20	1.0
		90				67	67		1.2
SSK25 - 90	16.0~25.4	90	55	55	55~75	67	67	SC25	1.5
BT40 - SSK 6 - 60	0.9~6.0	60	19.5	19.5	21~35	30	30	SC6	1.0
		90		32		51	60		1.1
		120		25		60	90		1.4
		150		25		60	120		1.5
SSK10 - 60	1.75~10.0	60	27.5	27.5	30~50	32	32	SC10	1.1
		90		40		48	60		1.2
		120		34.5		73	90		1.4
		150		39		118	148		1.6
		180		39		148	148		1.6
SSK13 - 60	2.75~13.0	60	33	33	31~65	28	28	SC13	1.2
		90				58	58		1.4
		120				88	88		1.6
		150				88	118		1.8
		180				88	148		1.8
SSK16 - 60	2.75~16.0	60	40	40	50~65	32	32	SC16	1.3
		90			40~67	58	58		1.5
		120			88	88	1.7		
		150			40~70	118	118		1.9
		180			148	148	2.0		
SSK20 - 60	3.6~20.0	60	48.5	48.5	47~60	32	32	SC20	1.3
		90			60	60	1.6		
		120			90	90	2.0		
		150			118	118	2.4		
		180			148	148	2.9		

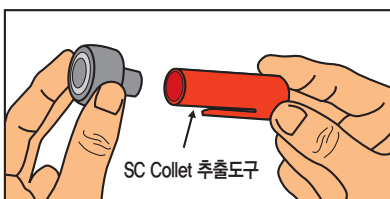
# SSK COLLET CHUCK



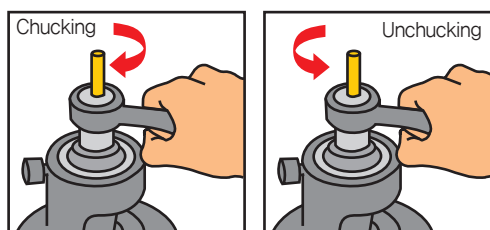
Code No.	ød	L	øC	øC1	H	L1	L2	Collet	Weight (kg)
BT40 - SSK25 - 75	16,0~25,4	75	55	55	40~60	46	46	SC25	1,5
- 90		90			55~75	61	61		1,8
- 120		120			55~85	91	91		2,0
- 150		150			55~90	120	120		2,6
- 180		180				150	150		3,1
BT50 - SSK 6 - 105	0,9~6,0	105	19,5	32	21~35	55	64	SC6	3,8
- 135		135				60	92		4,0
- 165		165				60	114		4,2
SSK10 - 105	1,75~10,0	105	27,5	27,5	30~50	57	57	SC10	4,2
- 135		135		32		92	4,6		
- 165		165		36		114	4,8		
- 195		195				146	5,0		
- 225		225				178	5,2		
SSK13 - 105	2,75~13,0	105	33	33	31~65	62	62	SC13	4,5
- 135		135		45		92	92		4,7
- 165		165				122	4,9		
- 195		195				152	5,2		
SSK16 - 105	2,75~16,0	105	40	40	40~70	62	62	SC16	4,7
- 135		135		50		92	92		4,9
- 165		165				122	5,1		
- 195		195				152	5,5		
SSK20 - 105	3,6~20,0	105	48,5	48,5	47~80	62	62	SC20	4,3
- 135		135		122		92	92		4,7
- 165		165				122	5,0		
- 195		195				152	5,7		
SSK25 - 105	15,6~25,4	105	55	55	50~85	62	62	SC25	5,2
- 135		135		122		92	92		5,4
- 165		165				122	5,6		
- 195		195				152	6,0		

Spare Parts				
Type	Basic		Option	
	Nut	Adjust Screw	Spanner	Collet
SSK 6	SCN- 6 (HEXA)	BTD0825-C	SC 6-SP	SC 6-ø
SSK10	SCN-10 (HEXA)	BTD1225-C	SC10-SP	SC10-ø
SSK13	SCN-13	BTD1525-C	SC13-SP	SC13-ø
SSK16	SCN-16	BTD1830-C	SC16-SP	SC16-ø
SSK20	SCN-20	BTD2230-C	SC20-SP	SC20-ø
SSK25	SCN-25	BTD2838-C	SC25-SP	SC25-ø

- ▶ 너트, 조절나사 및 콜릿추출도구는 부속되어 있습니다.
- ▶ 고속회전용 GSK척은 P26
- ▶ 스페너는 별매입니다. P149
- ▶ Synchronized Tap 사용시 SSK10을 사용하십시오.  
Aluminum MAX Tapping M12  
Steel MAX Tapping M10  
Stainless Steel MAX Tapping M8  
위 사양 이상인경우는 Milling Chuck에 K-Collet을 사용하시길 바랍니다.
- ▶ SSK척 콜릿은 P138~P139
- ▶ 절삭공구 체결시 무리한 힘이 가해질시 너트 및 홀더가 파손 될 수 있습니다.
- ▶ 고속 바란스 작업시 추가 비용이 청구됩니다.
- ▶ NUT, ADJUST SCREW, COLLET REMOVER are included.
- ▶ High speed GSK CHUCK is referred. P26
- ▶ Spanner is ordered separately. P149
- ▶ Please use SSK10 when you use Synchronized Tap.  
Aluminum MAX Tapping M12  
Steel MAX Tapping M10  
Stainless Steel MAX Tapping M8  
If it has problem, We recommend K COLLET with Milling Chuck.
- ▶ SC COLLET is referred P138 ~ P139
- ▶ The nut or shank of chuck can be destroyed if you too strongly clamp nut and holder.
- ▶ Extra charge for high speed balance.



SSK NUT에 SC COLLET 체결시에는 전용 콜릿 추출도구를 사용하시기 바랍니다.  
Please use private remover when you insert the SSK COLLET in SSK NUT



SSK Collet chuck은 Nut와 Body 체결시 40 Torque 이상의 힘이 가해질 시 너트 및 바디가 파손될 수 있습니다.  
※주의 (SSK6, SSK10)  
SSK NUT and SSK CHCUK is possible to be broken if you clamp chuck and nut over 40 Torque (※ WARNING SSK6, SSK10)

# HIGH SPEED GSK CHUCK(P CLASS)

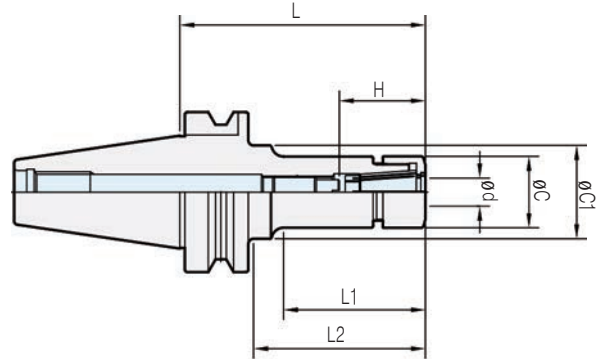
Coolant-through hole

Clamping Range :  $\phi 1.0 \sim \phi 25.4$

CODE No.



**MAX**  
**40,000**  
min<sup>-1</sup>



## PRODUCT INFORMATION

- 고속가공에서 높은 정도
- 8° Taper의 강력한 파지력
- 원형 너트로 컴팩트한 디자인
- 스패너는 PH스패너 사용(별매)
- G2.5X max 40,000 RPM
- 고속형GSK척에는 P CLASS 콜릿 사용을 권장
- Excellent Run-out Accuracy.
- Powerful clamping force of 8° taper.
- Circle style nut designed compactly
- PH spanner is orderd seperately.
- G2.5X max 40,000 RPM.
- We recommed to use P CLASS SC COLLET when you use GSK CHCUK.

Code No.	$\phi d$	L	$\phi C$	$\phi C1$	H	L1	L2	Collet	MAX rpm	Weight (kg)
BT30 - GSK 6 - 60P	0.9~6.0	60	19.5	19.5	21~35	33	33	SC6P	40,000	0.7
		90		32		56	65			0.7
GSK10 - 60P	1.75~10.0	60	27.5	27.5	30~50	35	35	SC10P		0.9
		90				65	65			1.0
		120				95	95			1.1
GSK13 - 60P	2.75~13.0	60	33	33	31~50	35	35	SC13P		1.0
		90			31~65	65	65		1.1	
GSK16 - 60P	2.75~16.0	60	40	40	45~60	37	37	SC16P	30,000	1.1
		90			45~65	67	67			1.2
BT40 - GSK 6 - 60P	0.9~6.0	60	19.5	19.5	21~35	30	30	SC6P	25,000	1.0
		90		32		51	60			1.1
		120		60		90	1.4			
GSK10 - 60P	1.75~10.0	60	27.5	27.5	30~50	32	32	SC10P		1.1
		90		40		48	60			1.2
		120		73		90	1.4			
GSK13 - 60P	2.75~13.0	60	33	33	31~65	118	118	SC13P		1.6
		90				28	28			1.2
		120				58	58			1.4
GSK16 - 60P	2.75~16.0	60	40	40	50~65	32	32	SC16P		1.6
		90			40~67	58	58			1.3
		120			40~70	88	88			1.5
		150			118	118	1.7			
GSK20 - 60P	3.6~20.0	60	48.5	48.5	47~60	32	32	SC20P	20,000	1.9
		90			47~80	60	60			1.3
		120			90	90	2.0			
GSK25 - 75P	15.6~25.4	75	55	55	40~60	46	46	SC25P		1.5
		90			55~75	61	61			1.8
		120			55~85	91	91			2.0

BT SHANK HIGH SPEED GSK CHUCK(P CLASS)



# HIGH SPEED GSK CHUCK(P CLASS)

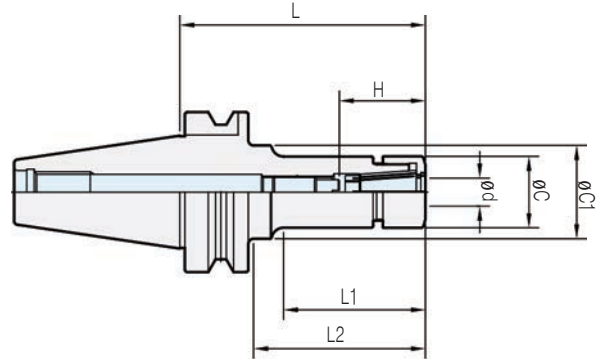
Coolant-through hole

Clamping Range :  $\phi 1.0 \sim \phi 25.4$

CODE No.



**MAX**  
**40,000**  
**min<sup>-1</sup>**



**BT SHANK**  
HIGH SPEED GSK CHUCK(P CLASS)

Code No.	$\phi D$	L	$\phi C$	$\phi C1$	H	L1	L2	Collet	MAX rpm	Weight (kg)
BT50 - GSK 6 - 105P	0.9~6.0	105	19.5	32	21~35	55	64	SC6P	20,000	3.8
- 135P		135								4.0
- 165P		165								4.2
GSK10 - 105P	1.75~10.0	105	27.5	27.5	30~50	57	57	SC10P		4.2
- 135P		135		32		70	92			4.4
- 165P		165		36		75	114			4.6
GSK13 - 105P	2.75~13.0	105	33	33	31~65	62	62	SC13P		4.5
- 135P		135		45		92	122			4.7
- 165P		165		50		90	122			4.9
GSK16 - 105P	2.75~16.0	105	40	40	40~70	62	62	SC16P		4.7
- 135P		135		50		92	92			4.9
- 165P		165		55		90	122			5.1
GSK20 - 105P	3.6~20.0	105	48.5	48.5	47~80	62	62	SC20P	15,000	4.3
- 135P		135		55		92	92			4.6
- 165P		165		60		122	122			5.0
GSK25 - 105P	15.6~25.4	105	55	55	50~85	62	62	SC25P		5.2
- 135P		135		60		92	92			5.4
- 165P		165		65		122	122			5.6

Spare Parts				
Type	Basic		Option	
	Nut	Adjust Screw	Spanner	Collet
GSK 6P	SCN- 6P	BTD0825-C	SC 6-PH	SC 6- $\phi$ P
GSK10P	SCN-10P	BTD1225-C	SC10-PH	SC10- $\phi$ P
GSK13P	SCN-13P	BTD1525-C	SC13-PH	SC13- $\phi$ P
GSK16P	SCN-16P	BTD1830-C	SC16-PH	SC16- $\phi$ P
GSK20P	SCN-20P	BTD2230-C	SC20-PH	SC20- $\phi$ P
GSK25P	SCN-25P	BTD2838-C	SC25-PH	SC25- $\phi$ P

- ▶ 너트, 조절나사 및 콜렛추출도구는 부속되어 있습니다.
- ▶ 스패너는 별매입니다. **P149**
- ▶ GSK척 콜렛은 **P138~P139**
- ▶ 절삭공구 체결시 무리한 힘이 가해질시 너트및 홀더가 파손 될 수 있습니다.
- ▶ NUT, ADJUST SCREW, COLLET REMOVER are included.
- ▶ Spanner is ordered separately. **P149**
- ▶ P CLASS SC COLLET for GSK CHUCK is refered. **P138 ~ P139**
- ▶ It can be destoried nut or shank of chuck if you too strongly clamp nut and holder.

# ER COLLET CHUCK

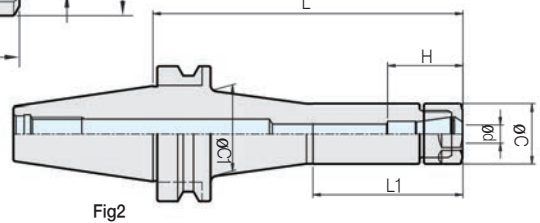
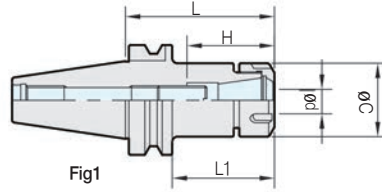
Coolant-through hole

Clamping Range :  $\phi 0.5 \sim \phi 26.0$

CODE No.

**BT50** **ER16** **105**

Shank ER Collet Size Length



## PRODUCT INFORMATION

- 안정적인 정밀도와 파지력
- 쉽고빠른 공구교환
- 드릴, 엔드밀, 탭 다양한 사용범위



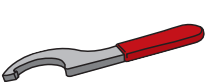

- Reliable accuracy and Powerful clamping force.
- Easy and quick tool exchange.
- ER COLLET CHUCK is suitable for a various operation using drill, endmill, tap.

Code No.	$\phi d$	L	L1	$\phi C$	C1	L1		Collet	Fig	Weight (kg)
						Min	Max			
BT30 - ER11 - 60	0.5~7.0	60	35	19	-	19	34	ER11	1	0.5
- 75		75	50							0.5
- 90		90	65							0.6
ER16 - 60	0.5~10.0	60	35	28	-	23	43	ER16	1	0.5
- 75		75	50							0.5
- 90		90	65							0.6
ER20 - 60	1.0~13.0	60	35	35	-	25	48	ER20	1	0.5
- 75		75	50							0.6
- 90		90	65							0.7
ER25 - 60	1.0~16.0	60	35	42	-	34	54	ER25	1	0.6
- 75		75	50							0.7
- 90		90	65							0.8
ER32 - 60	2.0~20.0	60	35	50	-	40	60	ER32	1	0.5
- 75		75	50							0.7
- 90		90	65							0.9
BT40 - ER11 - 60	0.5~7.0	60	28	19	-	19	34	ER11	1	1.0
- 90		90	58		26				1.1	
- 120		120	65		26				1.2	
ER16 - 60	0.5~10.0	60	28	28	-	23	43	ER16	1	1.1
- 90		90	58		-				1.2	
- 120		120	73		36				1.3	
- 150		150	78		40				1.5	
- 180		180	85		42				1.8	
ER20 - 60	1.0~13.0	60	30	35	-	25	48	ER20	1	1.1
- 90		90	60		-				1.3	
- 120		120	90		-				1.5	
- 150		150	120		46				1.8	
- 180		180	86		46				2.0	
ER25 - 60	1.0~16.0	60	30	42	-	34	54	ER25	1	1.2
- 90		90	60		-				1.4	
- 120		120	90		-				1.6	
- 150		150	120		-				1.8	
- 180		180	150		-				2.2	
ER32 - 60	2.0~20.0	60	30	50	-	40	60	ER32	1	1.3
- 90		90	60		-				1.4	
- 120		120	90		-				1.7	
- 150		150	120		-				2.1	
- 180		180	150		-				2.5	
ER40 - 90	3.0~26.0	90	60	63	-	50	80	ER40	1	2.4
- 120		120	90		2.8					
- 150		150	120		3.2					

# ER COLLET CHUCK



Code No.	ød	L	L1	øC	C1	L1		Collet	Fig	Weight (kg)
						Min	Max			
BT50 - ER11 - 75	0.5~7.0	75	34	19	-	19	34	ER11	1	3.6
- 105		105	62							3.7
- 135		135	61							3.8
- 165		165								4.0
ER16 - 75		0.5~10.0	75							34
- 105	105		62	4.0						
- 135	135		70	4.1						
- 165	165		77	4.2						
- 180	180			4.4						
- 180	180			38	4.4					
ER20 - 75	1.0~13.0	75	34	35	-	35	48	ER20	1	3.8
- 105		105	62							3.9
- 135		135	92							4.1
- 165		165	87						4.5	
- 180		180							44	4.6
- 180		180							44	4.6
ER25 - 75	1.0~16.0	75	34	42	-	42	54	ER25	1	3.9
- 105		105	62							4.1
- 135		135	92							4.3
- 165		165	90						4.4	
- 180		180							50	4.6
- 180		180							50	4.6
ER32 - 75	2.0~20.0	75	32	50	-	50	60	ER32	1	4.0
- 105		105	62							4.3
- 135		135	92							4.9
- 165		165	122							5.0
- 180		180	137							5.3
- 180		180	137							5.3
ER40 - 75	3.0~26.0	75	34	63	-	63	80	ER40	1	3.9
- 105		105	62							4.6
- 135		135	92							5.5
- 165		165	122							6.0
- 165		165								122

Spare Parts				
Type	Option			
	NUT	Adjust Screw	Spanner	ER Collet
				
ER11	UM/ER11(HEXA)	BTD0716-C	ER11-SP	ER11-ø
ER16	UM/ER16(HEXA)	BTD1025-C	ER16-SP	ER16-ø
ER20	UM/ER20(HEXA)	BTD1325-C	ER20-SP	ER20-ø
ER25	UX/ER25	BTD1830-C	ER25-SP	ER25-ø
ER32	UX/ER32	BTD2230-C	ER32-SP	ER32-ø
ER40	UX/ER40	BTD2838-C	ER40-SP	ER40-ø

- ▶ 내부급유 사용시에는 방수형콜릿이나 방수형 너트를 사용 해주십시오.
- ▶ ER콜릿은 P140~P141
- ▶ 스패너는 별매입니다. P149
- ▶ 고속 바란스 작업시 추가 비용이 청구됩니다.
- ▶ ER척 스페어 파트는 P53
- ▶ Please use waterproof collet and waterproof nut for operating centre through coolant type.
- ▶ ER COLLET is referred. P140 ~ P141
- ▶ Spanner is ordered separately. P149
- ▶ Extra charge for high speed balance.
- ▶ The spare parts for ER CHCUK are referred. P53

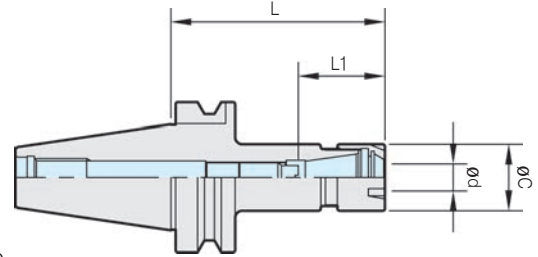
# ER SLIM COLLET CHUCK



Coolant-through hole  
Clamping Range :  $\phi 0.5 \sim \phi 16.0$

CODE No.

**BT50** **ER25** **M** **105**  
Shank ER Collet Size Slim Length

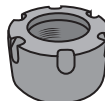

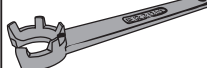



## PRODUCT INFORMATION

- 좁고 깊은 곳에 적합
- 뛰어난 정밀도와 파지력
- 척킹 범위  $\phi 0.5\text{mm} \sim \phi 16.0\text{mm}$
- Narrow and depth place.
- High accuracy and Powerful clamping force.
- Chucking Dia  $\phi 0.5\text{mm} \sim \phi 16.0\text{mm}$

Code No.	$\phi d$	L	$\phi C$	L1		Collet	Weight (kg)
				Min	Max		
BT30 - ER11M - 45	0.5~ 7.0	45	16	20	35	ER11	0.5
- 60		60					0.5
ER16M - 45		45					0.5
- 60	0.5~10.0	60	22	30	45	ER16	0.5
- 90		90					0.6
ER20M - 45		45					0.5
- 60	1.0~13.0	60	28	35	50	ER20	0.6
- 90		90					0.7
ER25M - 45		45					0.6
- 60	1.0~16.0	60	35	40	55	ER25	0.7
- 90		90					0.8
BT40 - ER11M - 60		60					1.0
- 90	0.5~ 7.0	90	16	20	35	ER11	1.0
- 120		120					1.1
ER16M - 60		60					1.1
- 90	0.5~10.0	90	22	30	45	ER16	1.1
- 120		120					1.2
ER20M - 60		60					1.1
- 90	1.0~13.0	90	28	35	50	ER20	1.1
- 120		120					1.2
ER25M - 75		75					1.1
- 90	1.0~16.0	90	35	40	55	ER25	1.2
- 120		120					1.3
BT50 - ER11M - 105		105					1.2
- 135	0.5~ 7.0	135	16	20	35	ER11	1.3
- 165		165					1.6
ER16M - 105		105					1.8
- 135	0.5~10.0	135	22	30	45	ER16	3.8
- 165		165					3.8
ER20M - 105		105					3.8
- 135	1.0~13.0	135	28	35	50	ER20	3.9
- 165		165					3.9
ER25M - 105		105					3.9
- 135	1.0~16.0	135	35	40	55	ER25	4.1
- 165		165					4.5

### Spare Parts

Type	Basic		Option	
	NUT	Adjust Screw	Spanner	Collet
ER11M	 SM/ER11M	 BTD0716-C	 ER11M-SP	 ER11- $\phi$
ER16M	SM/ER16M	BTD1025-C	ER16M-SP	ER16- $\phi$
ER20M	SM/ER20M	BTD1325-C	ER20M-SP	ER20- $\phi$
ER25M	SM/ER25M	BTD1830-C	ER25M-SP	ER25- $\phi$

▶ ER콜릿은 P140~P141  
▶ 스페너는 별매입니다. P149

▶ ER COLLET is referred. P140~P141  
▶ Spanner is ordered separately. P149



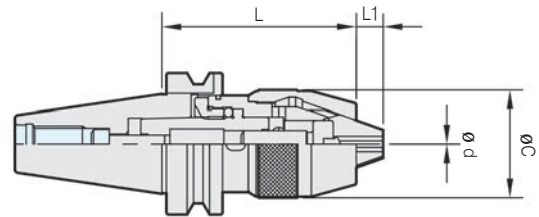
# NC DRILL CHUCK

Clamping Range :  $\phi 0.5 \sim \phi 13.0$

CODE No.

**BT40** **NPU13** **90**

Shank      Chucking Dia      Length

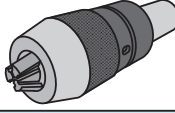
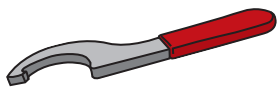


## PRODUCT INFORMATION

머시닝 센터의 일반적인 드릴링 공구입니다. **General Drillings for Machining Centers**

- 척과 샤프크가 일체형 구조로 길이가 짧음
- 가공정도 향상과 우수한 내구성
- 척의 탈락이 없고 주축 정지시 풀리지 않음
- Unified body of chuck and shank reduces the length of tool.
- Improved operation accuracy and excellent rigidity
- The drillchuck is never detached from holder and is not released when the operation is stop.

Code No.	$\phi d$	L	$\phi C$	L1	Weight (kg)
BT30 - NPU 8 - 80	0,3~8,0	80	38	8,5	0,8
NPU 13 - 105	1,0~13,0	105	50	11,5	1,5
BT40 - NPU 8 - 75	0,3~8,0	75	38	8,5	1,3
- 105		105			1,6
- 150		150			2,0
NPU13 - 90	1,0~13,0	90	50	11,5	1,7
- 130		130			2,0
- 175		175			2,4
BT50 - NPU 8 - 85	0,3~8,0	85	38	8,5	3,8
- 120		120			4,0
- 150		150			4,4
- 170		170			4,8
NPU 13 - 105	1,0~13,0	105	50	11,5	4,4
- 130		130			4,6
- 190		190			5,4

Spare Parts		
Type	Basic	
	Chuck	Spanner
NPU 8		
NPU13	NPU13	NPU13-SP

- ▶ 초경 드릴, 탭은 절대 사용을 금지해 주십시오.
- ▶ 절삭공구 최소 척킹 길이를 준수해 주시기 바랍니다.  
NPU8~20mm이상  
NPU13~30mm이상
- ▶ 스패너는 별매입니다. **P149**

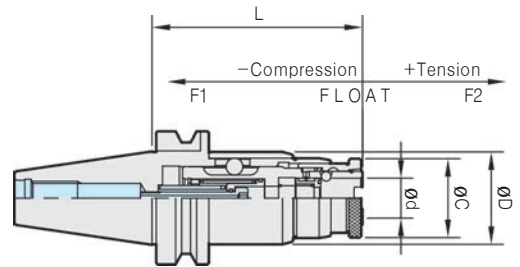
- ▶ Please Prohibit use CARBIDE DRILL and CARBIDE TAP.
- ▶ Please follow minimum length of cutting tools.  
NPU8 : more 20mm  
NPU13 : more 30mm
- ▶ Spanner is ordered separately. **P149**

# TAPPING CHUCK HOLDER

Tapping Range : M3 ~ M36

CODE No.

**BT50** **TCH22** **150**  
 Shank MAX Tapping Length



## PRODUCT INFORMATION

- 플로팅 타입으로 인장수축 장치 내장
- 공구교환이 빠르고 편리함
- 관통구멍과 막힌구멍의 tapping 및 모든 tap 작업 가능

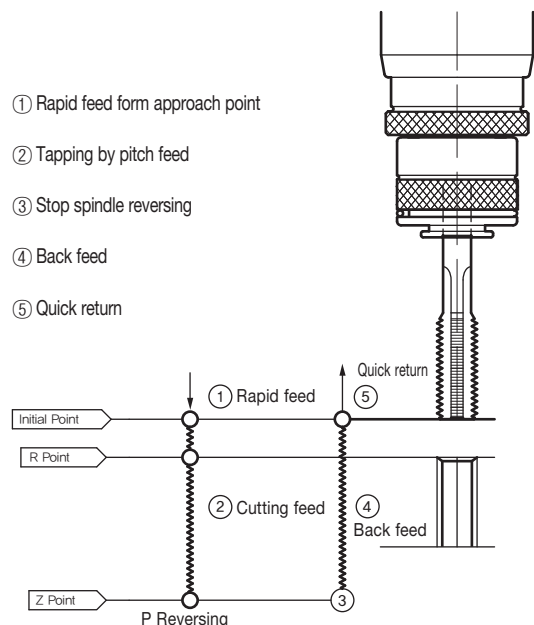
- The tapping chuck is equipped with tension system by floating type.
- Easy and quick tool exchange.
- It is possible for tapping operation of blind hole and through hole.

Code No.	$\phi d$	$\phi D$	L	$\phi C$	L1		Weight (kg)
					F1	F2	
BT30 - TCH12 - 125	19	44	100	35	6	12	1.2
BT40 - TCH12 - 120	19	44	95	35	6	12	1.6
			125		6	12	1.9
TCH22 - 150	31	63	115	52	10	15	2.4
			177		10	15	3.0
BT50 - TCH12 - 135	19	44	110	35	6	12	4.2
			140		6	12	4.8
			170		6	12	5.0
TCH22 - 165	31	63	132	52	10	15	5.7
			162		10	15	6.3
			192		10	15	6.9
TCH36 - 210	48	67	165	83	15	20	8.0
			195		15	20	8.5

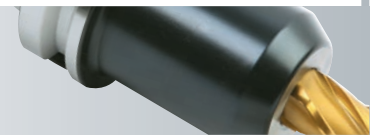
▶ 적용 탭콜릿은 P137

▶ Private tap collets are referred. P137

- ① Rapid feed form approach point
- ② Tapping by pitch feed
- ③ Stop spindle reversing
- ④ Back feed
- ⑤ Quick return

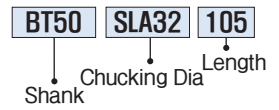


# SIDE LOCK HOLDER

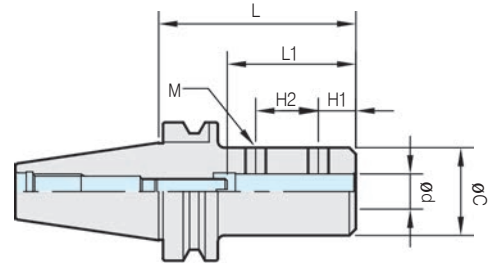
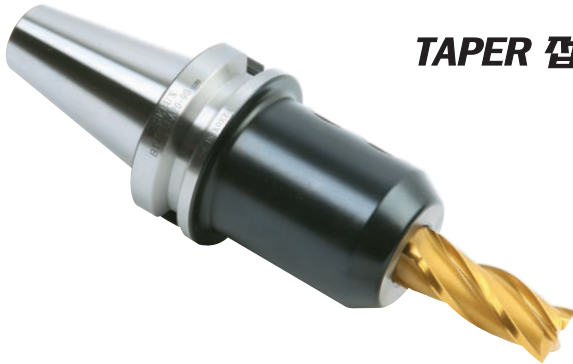


Coolant-through hole  
Clamping Range :  $\phi 6.0 \sim \phi 42.0$

CODE No.



**TAPER 접촉을 80% 이상 진동없음.**



## PRODUCT INFORMATION

■ 드릴, 엔드밀 기타(Small chuck, Special tool)를 사용 할 수 있습니다.

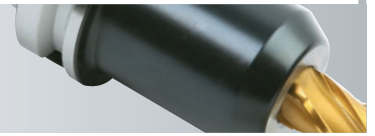
■ SIDE LOCK HOLDER can use tool holder for drill, endmill, etc.

Code No.	$\phi d$	L	$\phi C$	L1		H1	H2	M	Weight (kg)
				Min	Max				
BT30 - SLA 6 - 60	6	60	25	20	35	18	-	M 5	0.7
SLA 8 - 60	8		28	25	40			M 6	0.8
SLA10 - 75	10	75	35	35	45	14	15	M 8	0.9
SLA12 - 75	12		40	40	50	15	16	M10	1.0
SLA16 - 75	16		45	50	65	16	20	M12	1.1
SLA20 - 75	20		48	55	70	18		M14	1.2
SLA25 - 85	25	85	58	65	80	20	24	22	1.3
SLA32 - 105	32	105					1.5		
BT40 - SLA 6 - 75	6	75	25	20	35	20	-	M 5	1.2
SLA 8 - 75	8		30	25	40	18		M 6	1.2
SLA10 - 90	10	90	35	35	45	14	15	M 8	1.3
SLA12 - 90	12		40	40	50		16	M10	1.4
SLA16 - 90	16		45	50	65	20	M12	1.5	
SLA20 - 90	20		50	55	70	25		20	M14
SLA25 - 90	25	52	2.0						
SLA32 - 90	32	105	62	65	80	25	25	M16	2.2
SLA40 - 105	40		72						2.5
SLA42 - 105	42		76	2.6					
BT50 - SLA 6 - 90	6		90	25	20	35	18	-	M 5
SLA 8 - 90	8	28		25	40	M 6			3.9
SLA10 - 90	10	35		35	45	14	15	M 8	4.1
SLA12 - 90	12	40		40	50	14	16	M10	4.2
SLA16 - 90	16	105	45	50	65	20	20	M12	4.2
- 105									4.4
SLA20 - 105	20	135	50	60	75	25	20	M14	4.4
- 135	4.6								
SLA25 - 105	25	105	52						4.4
- 135	4.7								
- 165	5.1								
SLA32 - 105	32	105	62	65	80	25	25	M16	4.8
- 135		5.4							
- 165		6.2							
SLA40 - 105	40	105	72	65	80	25	25	M16	5.2
- 135	5.5								
SLA42 - 105	42	105	76	65	80	25	25	M16	5.8
- 135		6.0							

▶ 사이드락홀더 스페어 파트는 P60

▶ The spare parts for SIDE LOCK HOLDER are referred. P60

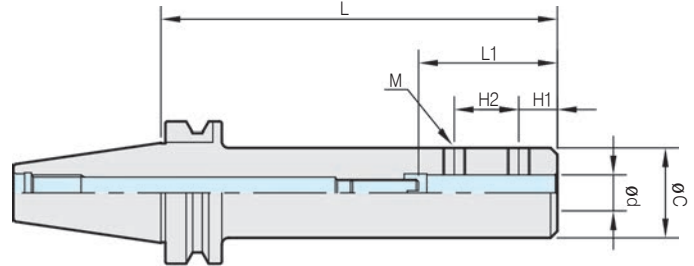
# LONG TYPE SIDE LOCK HOLDER



Coolant-through hole  
Clamping Range :  $\phi 6.0 \sim \phi 63.0$

CODE No.

**BT50** **SLA32** **200**  
Shank      Chucking Dia      Length



BT SHANK LONG TYPE SIDE LOCK HOLDER

## PRODUCT INFORMATION

■ drill, endmill, 기타(small chuck, special tool) 등을 사용 할 수 있습니다.  
○ Saddle pin type(DIN1835C) endmill용 입니다.

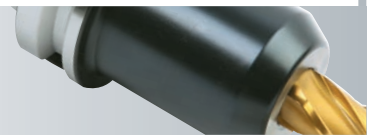
■ SIDE LOCK HOLDER can use tool holder for drill, endmill, etc.  
○ Saddle pin type(DIN1835C) endmill type.

Code No.	ød	L	øC	L1		H1	H2	M	Weight (kg)
				Min	Max				
BT50 - SLA 6 - 105	6	105	25	20	35	18	-	M 5	4.4
- 150		150							5.3
- 200		200							5.8
- 250		250							6.5
※ - 300		300							1.3
※ - 350		350							6.2
SLA 8 - 105		8							105
- 150	150		5.3						
- 200	200		5.8						
- 250	250		6.5						
- 300	300		7.3						
※ - 350	350		8.3						
SLA10 - 105	10		105	35	35	45	14	15	M 8
- 150		150	5.3						
- 200		200	5.8						
- 250		250	6.6						
- 300		300	7.5						
※ - 350		350	8.5						
SLA12 - 105		12	105						
- 150	150		5.3						
- 200	200		5.9						
- 250	250		6.8						
- 300	300		7.8						
※ - 350	350		8.8						
SLA16 - 150	16		150	45	50	65	16	20	M12
- 200		200	5.6						
- 250		250	6.2						
- 300		300	7.1						
※ - 350		350	8.2						
※ - 400		400	9.8						
SLA20 - 150		20	150						
- 200	200		5.6						
- 250	250		6.2						
- 300	300		7.1						
※ - 350	350		8.3						
※ - 400	400		10.0						

▶ 사이드락홀더 스페어 파트는 P60      ▶ The spare parts for SIDE LOCK HOLDER are referred. P60  
 ▶ ※ 표시된 제품은 센터홀이 없습니다.      ▶ " ※ " indicate that it does not have centre through hole.



# LONG TYPE SIDE LOCK HOLDER

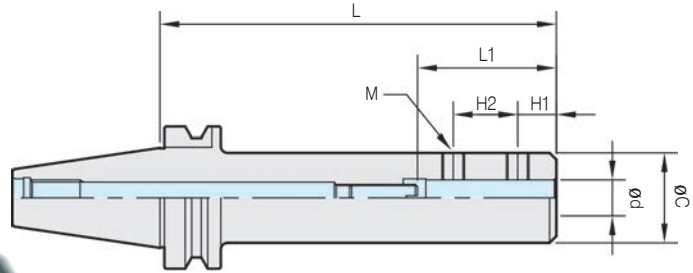


**Coolant-through hole**  
Clamping Range :  $\phi 6.0 \sim \phi 63.0$

CODE No.  

BT50	SLA32	200
------	-------	-----

  
 ↓ Shank      ↓ Chucking Dia      ↓ Length



**BT SHANK**  
LONG TYPE SIDE LOCK HOLDER

## PRODUCT INFORMATION

■ drill, endmill, 기타(small chuck, special tool) 등을 사용 할 수 있습니다.  
 ○ Saddle pin type(DIN1835C) endmill용 입니다.

■ Side lock holder is using as a tool hilder for drill, endmill, ETC.  
 ○ Saddle pin type(DIN1835C) endmill type.

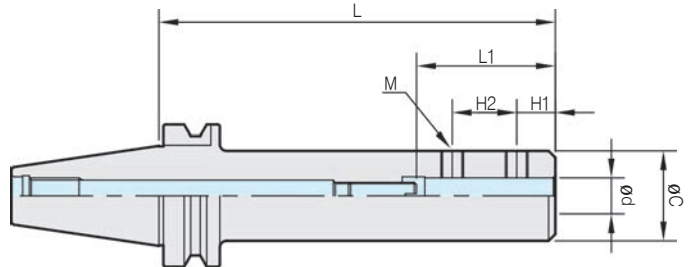
Code No.	$\phi d$	L	$\phi C$	L1		H1	H2	M	Weight (kg)
				Min	Max				
BT50 - SLA25 - 150	25	150	52	60	75	25	20	M14	4.8
- 200		200							5.6
- 250		250							6.8
- 300		300							7.9
※ - 350		350							8.9
※ - 400		400							10.8
SLA32 - 150	32	150	62	65	82	25	25	M16	5.6
- 200		200							6.8
- 250		250							7.9
- 300		300							8.9
※ - 350		350							11.0
※ - 400		400							14.0
SLA40 - 150	40	150	72	65	82	25	25	M16	5.8
- 200		200							7.0
- 250		250							8.1
- 300		300							9.0
※ - 350		350							12.1
※ - 400		400							15.0
SLA42 - 150	42	150	76	65	80	25	25	M16	6.0
- 200		200							7.2
- 250		250							8.9
- 300		300							9.8
※ - 350		350							13.0
※ - 400		400							17.0
SLA50 - 105	50	105	88	50	82	25	28	M18	6.4
- 150		150							8.2
- 200		200							9.8
- 250		250							10.9
- 300		300							14.5
※ - 350		350							18.0
○ SLA50.8 - 121	50.8	121	95	50	84	34	36	M20	5.0

▶ 사이드락홀더 스페어 파트는 P60      ▶ The spare parts for SIDE LOCK HOLDER are referred. P60  
 ▶ ※ 표시된 제품은 센터홀이 없습니다.      ▶ "※" indicate that it does not have centre through hole.

# LONG TYPE SIDE LOCK HOLDER

Coolant-through hole  
Clamping Range :  $\varnothing 6.0 \sim \varnothing 63.0$



CODE No.  
**BT50** **SLA32** **200**  
 Shank Chucking Dia Length



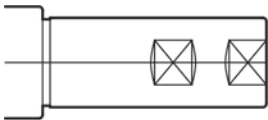
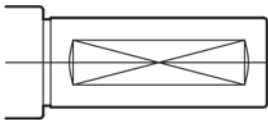
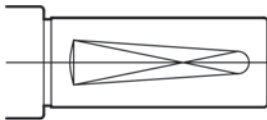
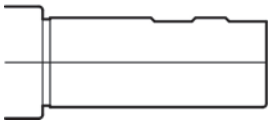
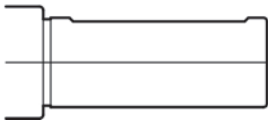
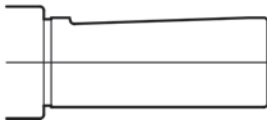
## PRODUCT INFORMATION

■ drill, endmill, 기타(small chuck, special tool) 등을 사용할 수 있습니다.  
 ○ Saddle pin type(DIN1835C) endmill용 입니다.

■ Side lock holder is using as a tool holder for drill, endmill, ETC.  
 ○ Saddle pin type(DIN1835C) endmill type.

Spare Parts		
Type	Basic	
	Set Screw	Adjust Screw
		
SLA 6	BT0510	BN0520-C
SLA 8	BT0610	BN0625-C
SLA10	BT0812	BN0825-C
SLA12	BT1014	BN1030-C
SLA14	BT1212	BN1030-C
SLA16	BT1414	BN1240-C
SLA20	BT1414	BN1240-C
SLA25	BT1414	BN1240-C
SLA32	BT1616	BN1240-C
SLA40	BT1616	BN1240-C
SLA42	BT1616	BN1240-C
SLA50	BT1818	BN1240-C
SLA50,8	BT2020	-

## Purpose

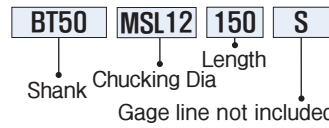
Weldon Shank	Flst Shank	Whistel Notch Shank
		
		

BT SHANK LONG TYPE SIDE LOCK HOLDER

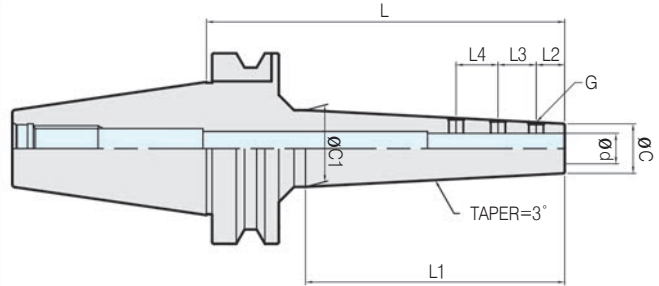
# MOLD SIDE LOCK HOLDER

Coolant-through hole  
Clamping Range :  $\phi 3.0 \sim \phi 32.0$

CODE No.



**MAX**  
**20,000**  
**min<sup>-1</sup>**



BT SHANK MOLD SIDE LOCK HOLDER

## PRODUCT INFORMATION

- 쉽고빠른 공구교환
- Easy and quick tool exchange.
- 높은 정밀도
- Excellent accuracy.
- 슬림한 디자인으로 간섭부위 최소화
- Minimize interference area by slim design.

Code No.	$\phi d$	$\phi C$	$\phi C1$	L	L1	L2	L3	L4	G	MAX rpm	Weight (kg)					
BT40 - MSL 3 - 135	3	10	20	135	94	6	6	-	M3	20,000	1.3					
MSL 4 - 135	4	11	21				7		M4		1.3					
MSL 6 - 135	6	13	23				12		13		1.4					
MSL 8 - 135	8	15	25				13.5		18		1.4					
MSL10 - 150	10	17	29	150	109	15	20	-	M6	15,000	1.6					
MSL12 - 150	12	22	34				16				16	1.7				
BT50 - MSL12 - 150S	12	22	37				188				136	16	16	M8	15,000	4.4
- 200S			42				238				186				12,000	5.0
MSL16 - 150S	16	26	41	188	136	15	20	22	M8	15,000	4.6					
- 200S			46	238	186					12,000	5.1					
- 250S			51	288	236					10,000	5.9					
MSL20 - 150S			45	188	136					15,000	4.7					
- 200S	20	30	50	238	186	15	20	22	M8	12,000	5.3					
- 250S			55	288	236					10,000	6.0					
MSL25 - 150S			50	188	136					15,000	4.8					
- 200S	25	35	55	238	186	15	20	22	M10	12,000	5.4					
- 250S			60	288	236					10,000	6.2					
MSL32 - 150S			55	188	136					15,000	5.0					
- 200S	32	40	60	238	186	15	20	22	M10	12,000	5.6					
- 250S			65	288	236					10,000	6.4					

- ▶ MSL홀더 볼트는 SELUX 전용 볼트를 사용하시기 바랍니다.
- ▶ Please only use SELUX private bolt for MSL HOLDER.
- ▶ 육각렌치는 별도 판매 입니다.
- ▶ Wrench is ordered separately.
- ▶ S Type는 표준길이(+38mm)
- ▶ S type is extended by 38mm compare to standard type.

## MSL BOLT

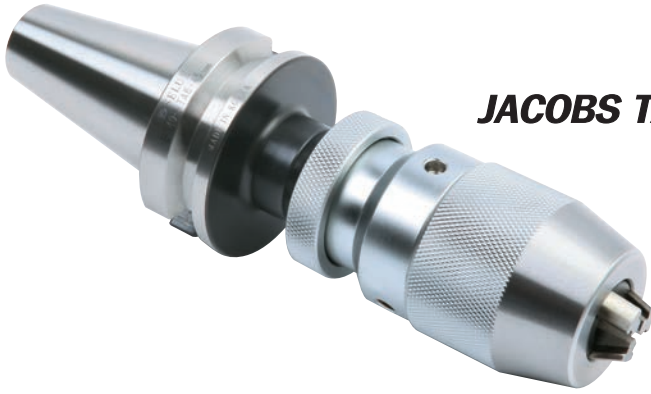
Item	Size	Length/pcs	chuck
MSL3 - BS	M3*0.5P	5mm / 2pcs.	MSL3
MSL4 - BS	M4*0.5P	5mm / 2pcs.	MSL4
MSL6 - BS	M6*0.75P	5, 6mm / 1pcs. Each	MSL6
MSL8 - BS		5, 6mm / 1pcs. Each	MSL8
MSL10 - BS	M8*0.75P	7mm / 1pcs, 8mm / 1pcs, 9mm / pcs.	MSL10
MSL12 - BS		7mm / 1pcs, 8mm / 1pcs, 9mm / pcs.	MSL12
MSL16 - BS		7mm / 1pcs, 8mm / 1pcs, 9mm / pcs.	MSL16
MSL20 - BS		7mm / 1pcs, 8mm / 1pcs, 9mm / pcs.	MSL20
MSL25 - BS	M10*10P	7mm / 1pcs, 8mm / 1pcs, 9mm / pcs.	MSL25
MSL32 - BS		6mm / 1pcs, 7mm / 1pcs, 8mm / pcs.	MSL32

# JACOBS TAPER ARBOR

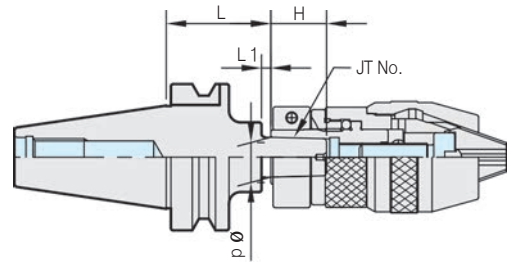
CODE No.

**BT50** **JTA6** **45**

Shank      Jacobs No.      Length



**JACOBS TAPER 접촉을 80% 이상 진동없음.**



## PRODUCT INFORMATION

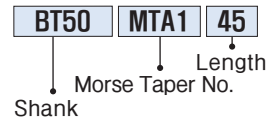
■ Drill chuck은 포함되어 있지 않습니다.      ■ Drill chuck is not included.

Code No.	ød	JT No.	L	L1	H	Weight (kg)
BT30 - JTA2 - 30	14,199	2	30	4	20	1.0
JTA6 - 30	17,170	6			24	1.0
BT40 - JTA2 - 45	14,199	2	45	4	20	1.1
- 90			90			1.4
JTA6 - 45	17,170	6	45		24	1.1
- 90			90			1.4
BT50 - JTA2 - 45	14,199	2	45	4	20	4.0
- 105			105			4.4
JTA6 - 45	17,170	6	45		24	4.0
- 105			105			4.4

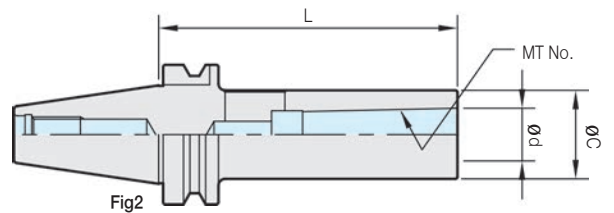
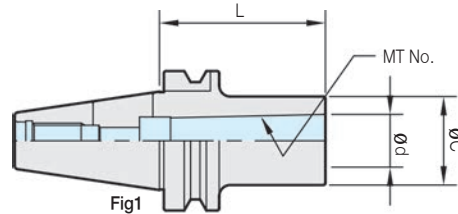
# MORSE TAPER HOLDER

■ for Morse taper shank with tang.

CODE No.



**TAPER 접촉을 80% 이상 진동없음.**



## PRODUCT INFORMATION

■ Drill, reamer, 기타(MT Shank type tool)등을 사용 할 수 있습니다.

■ MORSE TAPER HOLDER can use tool holder for drill, reamer, etc.

Code No.	ød	MT No.	L	øC	Fig	Weight (kg)
BT30 - MTA1 - 45	12,065	1	45	25	1	0,5
MTA2 - 60	17,780	2	60	32		0,5
MTA3 - 80	23,825	3	80	40		0,5
BT40 - MTA1 - 45	12,065	1	45	25	1	1,0
- 120			120		2	1,3
MTA2 - 60			17,780	2	60	32
- 120			120		2	1,5
MTA3 - 75	23,825	3	75	40	1	1,0
- 135			135		2	1,7
MTA4 - 95	31,267	4	95	50	1	1,6
- 165			165		2	1,7
BT50 - MTA1 - 45	12,065	1	45	25	1	3,9
- 120			120		2	4,2
- 180			180			4,3
MTA2 - 45	17,780	2	45	32	1	3,9
- 135			135		2	4,3
- 180			180			4,6
MTA3 - 45	23,825	3	45	40	1	3,8
- 150			150		2	4,6
- 180			180			4,9
MTA4 - 75	31,267	4	75	50	1	3,9
- 180			180		2	5,4
MTA5 - 105	44,399	5	105	65	1	4,5
- 210			210		2	7,2

## Drill Dia and Shank

Shank		MT1	MT2	MT3	MT4	MT5
Drill dia	Min	3,0	14,5	23,5	32,0	51,0
	Max	14,0	23,0	31,5	50,0	76,0



# MORSE TAPER HOLDER

■ for Morse taper shank with tang.

CODE No.

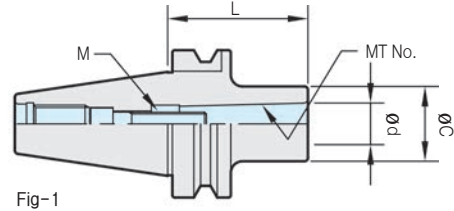
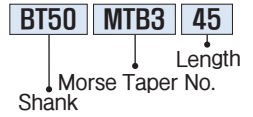


Fig-1 Draw BOLT Type

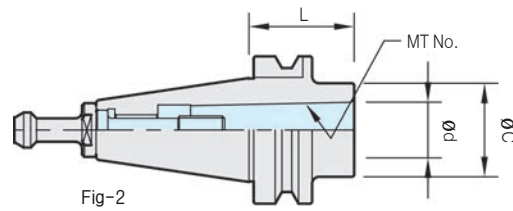


Fig-2 Pull - Stud Draw BOLT Type(별매)

## PRODUCT INFORMATION

- Fig 1의 경우 Draw Bolt가 포함되어 있습니다. ■ Draw-in Bolt is supplied with Fig 1 type arbor.
- Fig 2의 경우 전용 pull stud bolt가 필요합니다. ■ for Fig2, it is necessary for special pull stud bolt as exclusive use.

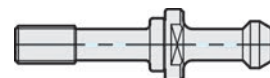
Code No.	ød	MT No.	L	øC	M	Fig	Weight (kg)
BT30 - MTB1 - 45	12,065	1	45	25	M 6	1	0,8
MTB2 - 60	17,780	2	60	32	M10	2	0,8
MTB3 - 80	23,825	3	80	40	M12		1,0
BT40 - MTB1 - 45	12,065	1	45	25	M 6	1	1,0
MTB2 - 45	17,780	2	45	32	M10		1,1
MTB3 - 45	23,825	3	45	40	M12	2	1,1
MTB4 - 85	31,267	4	85	50	M16		1,3
BT50 - MTB1 - 45	12,065	1	45	25	M 6	1	3,9
MTB2 - 45	17,780	2	45	32	M10		3,9
MTB3 - 60	23,825	3	60	40	M12		3,9
MTB4 - 70	31,267	4	70	50	M16		3,9
MTB5 - 105	44,399	5	105	65	M20	2	4,0

# SPECIAL PULL STUD BOLT

## PRODUCT INFORMATION

- 전용 pull stud bolt 의 경우 주문제작 합니다. ■ Special pull stud bolt can be ordered.

PSB Code No.	MTB2	MTB3	MTB4	MTB5
BT30 - MPS - 16	MPS - 16-2	MPS - 16-3		
- 17	MPS - 17-2	MPS - 17-3		
BT40 - MPS - 1		MPS - 1-3	MPS - 1-4	
- 2		MPS - 2-3	MPS - 2-4	
- 806		MPS - 806-3	MPS - 806-4	
- G51		MPS - G51-3	MPS - G51-3	
BT50 - MPS - 5				MPS- 5-5
- 6				MPS- 6-5
- 0				MPS- 0-5

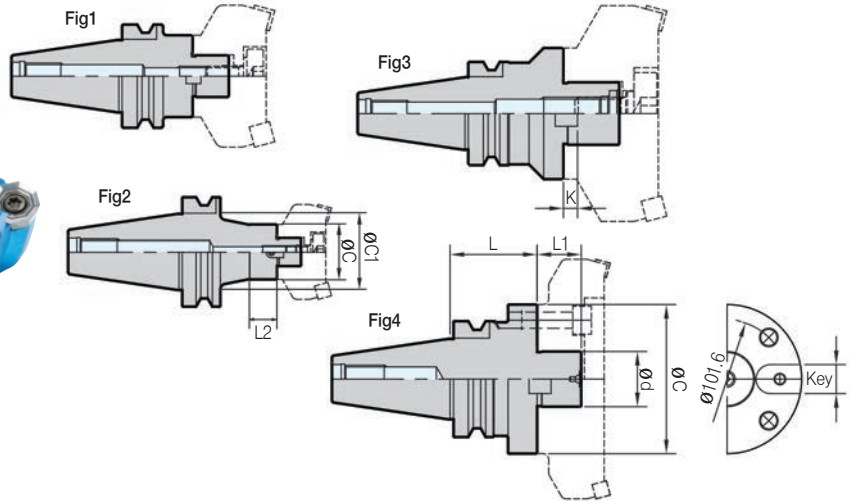


MT No.	MT No.
1	M 6 x 1,0
2	M10 x 1,5
3	M12 x 1,75
4	M16 x 2,0
5	M20 x 2,5

# FACE MILL ARBOR

CODE No.

**BT50** **FMA25.4** **45**  
 Shank Cutter Type Length



BT SHANK  
FACE MILL ARBOR

## PRODUCT INFORMATION

■ JIS B4113 face milling용 입니다.

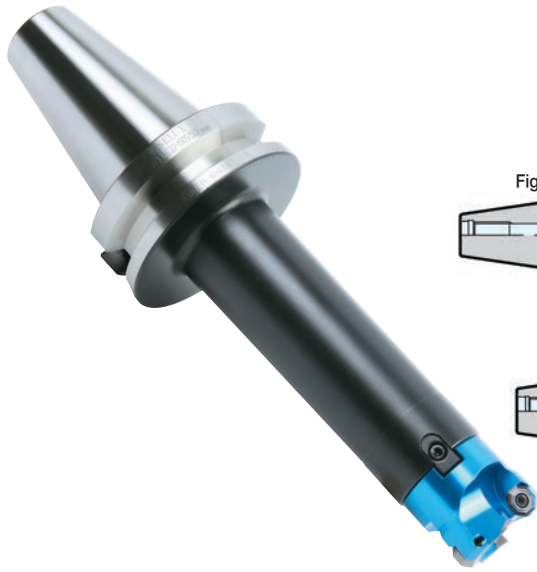
■ For face-milling cutter conforming to JIS B4113.

Code No.	ød	Cutter Dia	L	øC	C1	L1	L2	Key	K	Fig	Weight (kg)	
BT30 - FMA25.4 - 45	25.4	80	45	50		22		K9,5 - S	5	3	0,8	
FMA31,75 - 45	31,75	100		60		30		K12,7 - S	7		1,0	
BT40 - FMA25.4 - 45	25.4	80	45	50	-	22	-	K9,5 - S	5	1	1,4	
- 90			90					K9,5 - L			7	3,0
FMA31,75 - 45	31,75	100	45	60		30		K12,7 - S	7		2,0	
- 75			75					K12,7 - S			7	3,2
FMA38,1 - 60	38,1	125	60	80		34		K15,85 - S	9	3	3,8	
BT50 - FMA25.4 - 45	25.4	80	45	50	60	22	25	K9,5 - S	5	1	3,8	
- 90			90					K9,5 - L			7	4,5
-150			150					70		2	5,5	
FMA31,75 - 45	31,75	100	45	60	-	30	-	K12,7 - S	7	1	4,6	
- 75			75					K12,7 - L			7	5,2
-105			105					70		2	5,5	
-150			150					25		2	7,0	
FMA38,1 - 45	38,1	125	45	80	-	34	-	K15,85 - S	9	1	4,3	
- 75			75					K15,85 - L			9	5,0
-105			105					8			5,5	
-150			150					10			8,5	
FMA50,8 - 45	50,8	160	45	100	-	36	-	K19 - S	10		4,8	
- 75			75					K19 - S			10	6,8
-105			105					8			7,8	
FMA47,625 - 75	47,625	200	75	128,5		38		K25,4	12,5	4	7,6	

▶ 페이스밀아바 스페어 파트는 P71

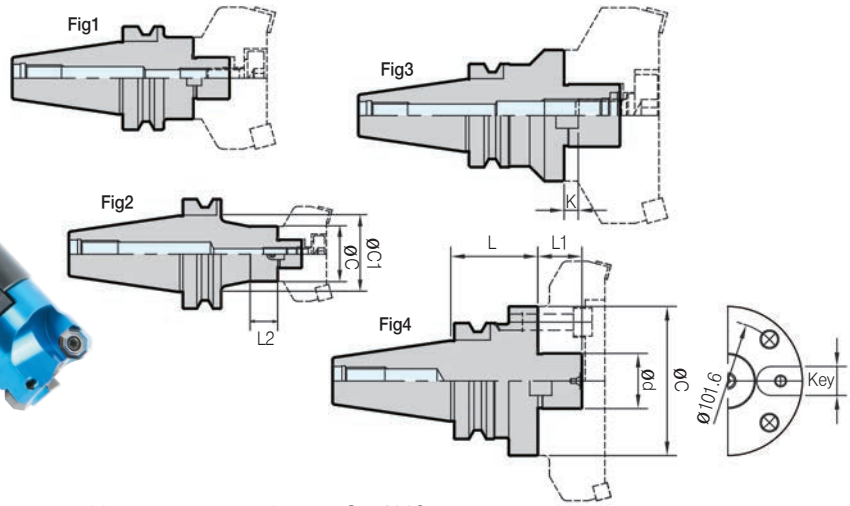
▶ The spare parts for FACE MILL ARBOR are referred. P71

# LONG TYPE FACE MILL ARBOR



CODE No.

BT50	FMA31.75	200	S
Shank	Cutter Type	Length	Gage line not included



## PRODUCT INFORMATION

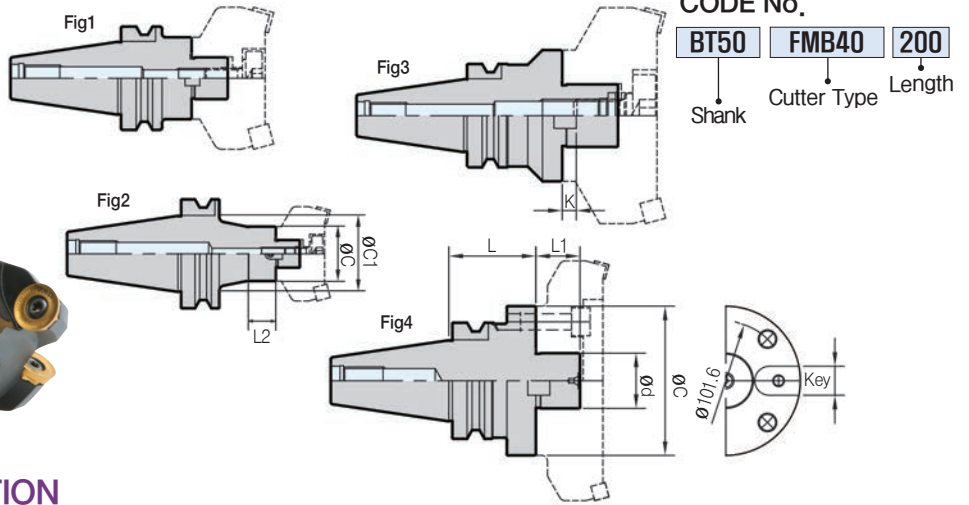
- JIS B4113 face milling용 입니다.
- For face-milling cutter conforming to JIS B4113.
- (S)Type은 표준길이(+38mm)
- S type is extended by 38mm compare to standard type.

Code No.	ød	Cutter Dia	L	øC	C1	L1	L2	Key	K	Fig	Weight (kg)	
BT50-FMA25,4 - 200	25,4	80	200	50	70	22	25	K9,5-L	5	2	8,7	
			250		74						10,3	
			300		75						11,8	
			350		79						13,5	
			400								15,8	
BT50-FMA31,75 - 200	31,75	100	200	60	70	30	25	K12,7-L	7	2	9,7	
			250									11,6
			300									13,4
			350									15,7
			400									18,4
BT50-FMA31,75 - 150S	31,75	80	188	75	-	30	25	K12,7-L	7	1	9,4	
			238								10,8	
			288		79						13,0	
			338		80						15,3	
			388								18,5	
			438								21,5	
BT50-FMA38,1 - 200	38,1	125	200	80		34		K15,85-L	9	1	14,5	
			250									17,5
			300									20,5
			350									23,5
			400									26,6
BT50-FMA50,8 - 150	50,8	160	150	100		36		K19-L	10	1	8,7	
			200									11,5
			250									14,5
			300									18,5
			350									25,5
			400									28,9
BT50-FMA47,625 - 105	47,625	200	105	128,5		38		K25,4	12,5	4	8,9	
			150									12,5
			200									15,8
			250									20,5
			300									26,5

▶ 페이스밀아바 스페어 파츠는 P71

▶ The spare parts for FACE MILL ARBOR are referred. P71

# FACE MILL ARBOR



## PRODUCT INFORMATION

- JIS B4113 face milling용 입니다.
- (S)Type은 표준길이(+38mm)
- For face-milling cutter conforming to JIS B4113.
- S type is extended by 38mm compare to standard type.

Code No.	ød	Cutter Dia	L	øC	L1	Key	K	Fig	Weight (kg)
BT30-FMB25.4 - 45	25.4	80	45	80	26	K9.5-S	5	3	1.5
BT30-FMB27 - 45	27		45						1.8
BT40-FMB25.4 - 60	25.4	80	60	80	26	K9.5-L	5	3	3.6
- 90			90						4.8
BT40-FMB38.1 - 60	38.1	100	60	85	26	K15.85-S	9	3	3.6
BT40-FMB27 - 60	27	80	60	80					K12-L
- 90			90	4.8					
BT40-FMB40 - 60	40	100	60	85	26	K15.85-S	8.5	1	3.8
BT50-FMB25.4 - 45	25.4	80	45	80					26
- 90			90		5.8				
-150			150		8.0				
BT50-FMB38.1 - 45	38.1	100	45	85	26	K15.87-S	9	4	4.6
- 75			75						6.0
-105			105						8.8
BT50-FMB38.1F - 75	38.1	160	75	110	26	K12-S	6	4	5.0
BT50-FMB27 - 45	27	80	45	80					K12-L
- 90			90		5.8				
-150			150		9.2				
BT50-FMB40 - 45	40	100	45	85	26	K15.85-S	8.5	1	4.6
- 75			75						6.0
-105			105						8.7
-150			150						11.5
-200			200						14.5
-250			250						17.5
-300			300						20.5
-350			350						23.6
-400	400	27.5							
BT50-FMB40F - 75	40	160	75	110	26	K15.85-L	8.5	4	6.6
-105			105						8.9
-150			150						11.8
-200			200						14.9
-250			250						18.2
BT50-FMB60 - 75	60	200	75	140	25	K25.4	12.5	4	7.9
-105			105						9.8
-150			150						12.5
-200			200						15.8
-250			250						20.0

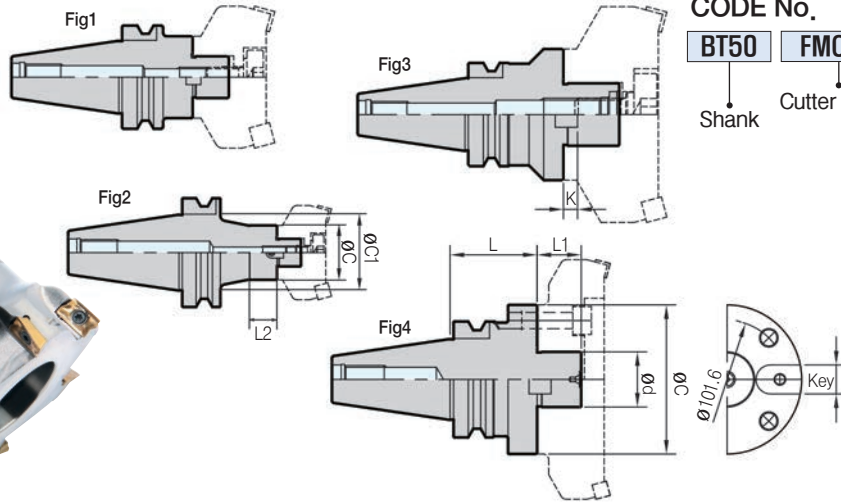
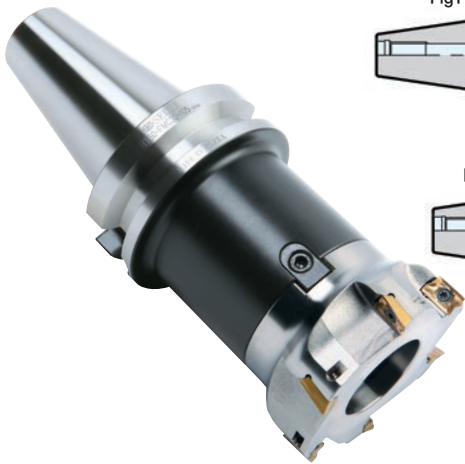
▶ 페이스밀아바 스페어 파트는 P71

▶ The spare parts for FACE MILL ARBOR are referred. P71

# FACE MILL ARBOR

CODE No.

**BT50** **FMC22** **105**  
 Shank Cutter Type Length



## PRODUCT INFORMATION

- JIS B4113 face milling용입니다.
- (S)Type은 표준길이(+38mm)

- For face-milling cutter conforming to JIS B4113.
- S type is extended by 38mm compare to standard type.

Code No.	ød	Cutter Dia	L	øC	øC1	L1	L2	Key	K	Fig	Weight (kg)
BT30 - FMC16 - 45	16	40	45	38	-	16	-	K8-S	5	1	1.2
FMC22 - 45	22	50/63	45	45	-	18	-	K10-S	5.5		1.5
- 90	22	50/63	90	45	-	18	-	K10-S	5.5		1.5
FMC27 - 45	27	63/80	45	60	-	20	-	K12-S	6	3	1.5
FMC32 - 45	32	100	45	80	-	22	-	K14-S	7		2.0
- 90	32	100	90	80	-	22	-	K14-S	7		2.0
BT40 - FMC16 - 45	16	40	45	38	-	16	-	K8-S	5	1	1.7
FMC22 - 45	22	50/63	45	45	-	18	-	K10-S	5.5		2.0
- 90	22	50/63	90	45	-	18	-	K10-L	5.5		2.2
FMC25.4 - 60	25.4	63/80	60	70	-	20	-	K9.5-S	6	3	2.5
- 90	60		70	-	K9.5-L			2.7			
FMC27 - 60	27		60	60	-			K12-S			2.5
- 90	27	60	60	-	K12-L	3.4					
FMC32 - 60	32	100	60	80	-	22	-	K14-S	7	3	3.4
- 90	60		80	-	K14-L			3.8			
FMC38.1 - 60	38.1		60	85	-			K15.85-S			4.7
- 90	38.1	60	85	-	K15.85-L	5.0					
FMC40 - 60	40	125/160	60	90	-	26	-	K15.85-S	8	4	5.2
BT50 - FMC16 - 60	16	40	60	38	-	16	-	K8-S	5.0	1	3.2
FMC22 - 60	22	50/63	60	45	-	18	-	K10-S	5.5		3.6
- 105	105		45	-	18	-	K10-L	5.5			
- 150(50)	150		58	63	-	25	-	K10-L		5.5	7.3
- 150(63)	150	58	63	-	25	-	K10-L	5.5	7.3		
FMC25.4 - 45	25.4	63/80	45	70	-	20	-	K9.5-S	6	1	4.1
- 90	90		70	-	K9.5-L			6.0			
- 150	150		70	-	K9.5-L			7.9			
FMC27 - 45	27	63/80	45	60	-	20	-	K12-S	6	1	5.0
- 90	27	63/80	90	60	-			K12-L			6.0
- 150(63)	150	68	-	K12-L	7.5						
- 150(80)	150	68	-	K12-L	7.5						
FMC32 - 45	32	100	45	80	-	22	-	K14-S	7	1	5.0
- 75	32		75	80	-			K14-L			6.0
- 105	32		105	80	-			K14-L			6.8
- 150	32	150	80	-	K14-L	9.8					
FMC38.1 - 45	38.1	100	45	85	-	22	-	K15.85-S	7	1	5.8
- 75	38.1		75	85	-			K15.85-L			6.0
- 105	38.1		105	85	-			K15.85-L			7.0
FMC40 - 45	40	125/160	45	90	-	26	-	K15.85-S	8	4	6.2
- 75	40	125/160	75	90	-	26	-	K15.85-L	8	4	6.8

▶ 페이스밀아바 스페어 파트는 P71

▶ The spare parts for FACE MILL ARBOR are referred. P71

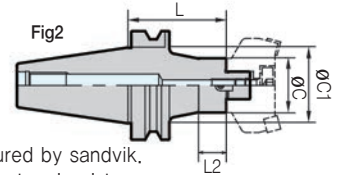
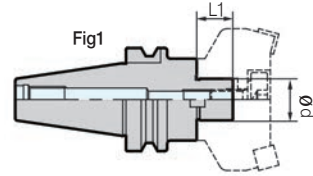


# LONG TYPE FACE MILL ARBOR



CODE No.

**BT50** **FMC22** **200** **S**  
 Shank Cutter Type Length  
 Gage line not included



## PRODUCT INFORMATION

- Sandvik T-MAX face mill cutter 전용 arbor 입니다.
- Only For T-MAX face mill cutter arbor manufactured by sandvik.
- (S)Type표준길(+38mm)
- S type is extended by 38mm compare to standard type.
- 주문시 체결될 Cutter의 Size를 확인
- Please check the cutter about the size when ordering.

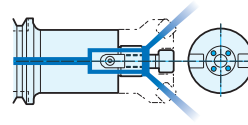
Code No.	ød	Cutter Dia	L	øC	C1	L1	L2	Key	K	Fig	Weight (kg)						
BT50-FMC22- 100S(ø50)	22	50	138	47	50	18	25	K10-L	5.5	2	8.0						
- 150S(ø50)			188								8.7						
- 200S(ø50)			238								10.3						
- 250S(ø50)			288								11.8						
- 300S(ø50)			338								13.5						
- 350S(ø50)			388								15.8						
- 400S(ø50)			438								18.2						
- 100S(ø63)			138								8.2						
- 150S(ø63)		188	8.7														
- 200S(ø63)		238	10.3														
- 250S(ø63)		288	11.8														
- 300S(ø63)		338	13.5														
- 350S(ø63)		388	15.8														
- 400S(ø63)		438	18.2														
BT50-FMC25.4 - 150S(ø63)		25.4	63	188	58	62	20	25	K9.5-L	6	2	8.7					
- 200S(ø63)				238								10.3					
- 250S(ø63)	288			11.8													
- 300S(ø63)	338			13.5													
- 350S(ø63)	388			15.8													
- 400S(ø63)	438			18.2													
- 150S(ø80)	188			8.7													
- 200S(ø80)	238			10.3													
- 250S(ø80)	288		11.8														
- 300S(ø80)	338		13.5														
- 350S(ø80)	388		15.8														
- 400S(ø80)	438		18.2														
- 150S(ø80)	188		-	75	79	25	25	K12-L	6	1	9.0						
- 200S(ø80)	238		11.5														
- 250S(ø80)	288		13.5														
- 300S(ø80)	338		16.0														
- 350S(ø80)	388	19.0															
- 400S(ø80)	438	20.0															
- 150S(ø80)	188	-	75								79	22	25	K14-L	7	1	9.4
- 200S	238	10.8															
- 250S	288	13.0															
- 300S	338	15.3															
- 350S	388	18.5															
- 400S	438	21.5															
- 150S	188	-		75	80	22	25	K14-L	7	2							9.4
- 200S	238	10.8															
- 250S	288	13.0															
- 300S	338	15.3															
- 350S	388	18.5															
- 400S	438	21.5															

▶ 페이스밀아바 스페어 파트는 P71

▶ The spare parts for FACE MILL ARBOR are referred. P71

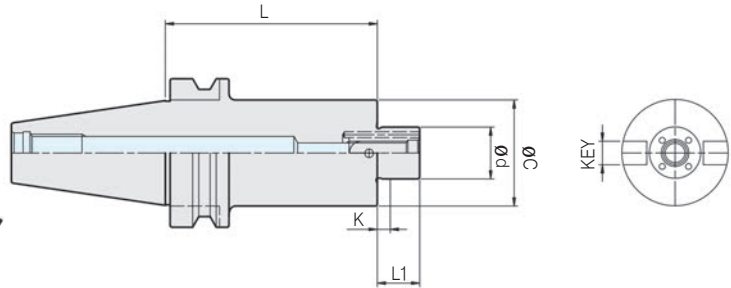
# FACE MILL ARBOR

BT SHANK  
FACE MILL ARBOR



CODE No.

**BT50** **FMH22** **105**  
Shank Cutter Type Length



## PRODUCT INFORMATION

- 쿨런트 컷터 전용
- Only use coolant cutter.
- 컷터 가공성 향상 공구사용시간 증가
- Improve tool life and cutting operation

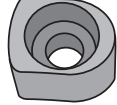
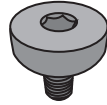
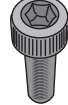

Code No.	ød	øC	L	L1	K	KEY	Weight (kg)
BT30 - FMH16 - 45	16	38	45	16	5	K8-S	1.2
FMH22 - 45	22	45		18	5.5	K10-S	1.5
- 90			90	6	K12-S	1.5	
FMH27 - 45	27	60	45	20	6	K12-S	1.5
BT40 - FMH16 - 45	16	38	45	16	5	K8-S	1.7
FMH22 - 45	22	45		18	5.5	K10-S	2.3
- 90			90	6	K10-L	2.2	
FMH27 - 60	27	60	60	20	6	K12-S	2.5
- 90			90			K12-L	3.4
FMH32 - 60	32	80	60	22	7	K14-S	3.4
FMH25.4 - 60	25.4	70		20	6	K9.5-S	2.5
- 90			90	6	K9.5-S	2.7	
FMH31.75 - 60	31.75	76	60	30	7	K12.7-S	2.7
- 90			90			K12.7-S	3.2
FMH38.1 - 60	38.1	85	60	34	9	K15.85-S	4.7
- 90			90			K15.85-L	5.0
BT50 - FMH22 - 60	22	45	60	18	5.5	K10-S	3.6
- 105			105			K10-L	5.5
- 150			150			K10-L	7.3
FMH27 - 90	27	60	90	20	6	K12-L	6.0
- 150			150			K12-L	7.5
FMH32 - 90	32	80	90	22	7	K14-L	6.5
- 150			150			K14-L	8.0
FMH25.4 - 90	25.4	70	90	20	6	K9.5-L	6.0
- 150			150			K9.5-L	7.9
FMH31.75 - 90	31.75	76	90	30	7	K12.7-L	6.2
- 150			150			K12.7-L	8.5
FMH38.1 - 90	38.1	85	90	34	9	K15.85-L	7.0
- 150			150			K15.85-L	9.0

▶ FMH 클램프볼트 및 부품은 일반 FMA, FMC 아바와 호환합니다.  
▶ 페이스밀아바 스페어 파츠는 P71


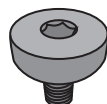


▶ FMH clamp bolt and other parts is compatible with FACE MILL ARBOR FMA, FMC.  
▶ The spare parts for FACE MILL ARBOR are referred. P71

# FACE MILL ARBOR SPARE PARTS


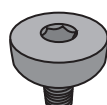


## FMA Type

Type	Spare Parts			
	Basic			
	Key	Clamp Bolt	Key Bolt	Wrench Bolt
				
FMA25.4	K9,5	MBA-M12	BX0412	BX1230(Option)
FMA31.75	K12,7	MBA-M16	BX0515	-
FMA38.1	K15,85	MBA-M20	BX0615	-
FMA50.8	K19	MBA-M24	BX0820	-
FMA47.625	K25,4	-	BX1020	BX1645

## FMB Type

Type	Spare Parts			
	Basic			
	Key	Clamp Bolt	Key Bolt	Wrench Bolt
				
FMB25.4	K9,5	MBA-M12	BX0412	BX1230(Option)
FMB38.1	K15,85	MBA-M20	BX0615	-
FMB38.1F		-		
FMB27	K12,0	MBA-M12	BX0515	BX1230(Option)
FMB40	K15,85	MBA-M20	BX0615	-
FMB40F	K15,85			BX1230
FMB60	K25,4	-	BX1020	BX1645

## FMC Type

Type	SpareParts			
	Basic			
	Key	Clamp Bolt	Key Bolt	Wrench Bolt
				
FMC16	K8	-	BX0310	BX0820
FMC22	K10	-	BX0412	BX1025
FMC25.4	K9,5	MBA-M12	BX0412	BX1230(Option)
FMC27	K12,0	MBA-M12	BX0515	BX1230(Option)
FMC32	K14,0	MBA-M16	BX0615	BX1645(Option)
FMC38.1	K15,85	MBA-M16	BX0615	BX1645(Option)
FMC40	K15,85	MBA-M20	BX0615	BX1230(Option)

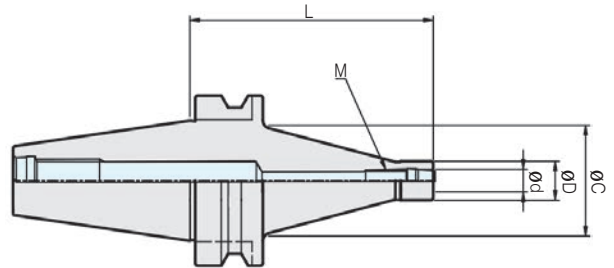
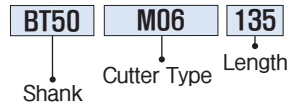
▶ 스페어 파트 주문시에는 반드시 품명의 정확한 확인이 필요합니다.  
▶ Key 주문시에는 제품상세표에서 LONG/SHORT Key를 확인해주시시오.

▶ Please pay attention to check spare parts list when you order.  
▶ Please check long/short key when you order.

# PRO MILL ARBOR



CODE No.

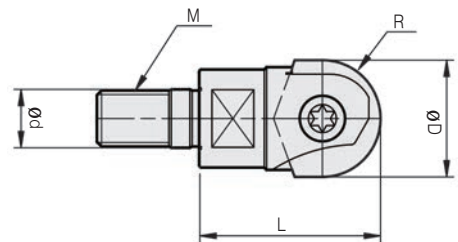


## PRODUCT INFORMATION

- 모듈라 방식으로 원가 절감
- 높은 정밀도
- 이면구속 체결로 흔들림 감소
- 헤드 교체로 다양한 작업가능
- Cost reduction effect with modular system.
- Excellent accuracy.
- Vibration damping effect due to dual face contact.
- A various operation with exchanging head.

Code No.	ød	L	øD	øC	M	Weight (kg)	
BT40 - M06 - 90	6.5	90	10	40	M6	1.2	
- 120		120				1.5	
M08 - 90	8.5	90	14.4		M8	1.2	
- 120		120				1.5	
M10 - 90	10.5	90	18		M10	1.3	
- 120		120				1.5	
- 150		150				1.9	
M12 - 120	12.5	120	22.5		M12	1.5	
- 150		150				1.9	
- 165		165				2.2	
BT50 - M06 - 135	6.5	135	10		65	M6	4.2
- 165		165					4.9
M08 - 135	8.5	135	14.4	M8		4.2	
- 165		165				4.9	
M10 - 135	10.5	135	18	M10		4.2	
- 165		165				4.9	
- 165		165				4.9	
M12 - 135	12.5	135	22.5	M12		4.2	
- 165		165				4.9	

# PRO MILL CUTTER(Ball Type)



## PRODUCT INFORMATION

- HITACHI 인서트 호환
- 정삭 R작업 최적화
- Compatible with HITACHI insert.
- Optimal for R-finishing operation.

Code No.	R	øD	L	ød	M	Insert	Screw	Wrench
R05M0630	5	10	30	6.5	M6	ZPFG100, ZCFW100	TNS-5842	TXL-10
R06M0630	6	12				ZPFG120, ZCFW120	TNS-5843	TXT-20
R08M0830	8	16	35	8.5	M8	ZPFG160, ZCFW160	TNS-5844	
R10M1035	10	20				ZPFG200, ZCFW200	TNS-5845	TXT-25
R12M1240	12.5	25	40	12.5	M12	ZPFG250, ZCFW250	TNS-5846	TXT-30

- ▶ 다양한 Type의 컷터 제작가능합니다.
- ▶ 전용 스패너는 별매입니다.

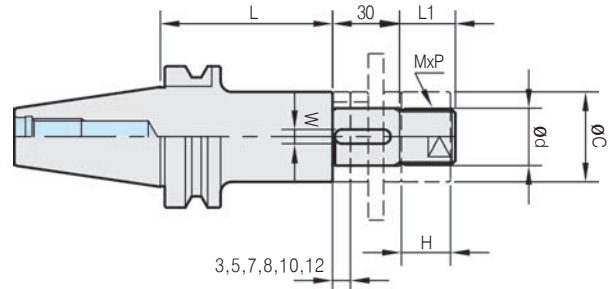
- ▶ Cutters can be made of a variety of Type.
- ▶ Spanner is orderd seperately.

# SIDE CUTTER ARBOR



CODE No.

**BT50** **SCA25.4** **90**  
 Shank Cutter Type Length



## PRODUCT INFORMATION

- JIS B4219,4109,4107 side cutter type 입니다. ■ For side cutters conforming to JIS B4219, 4019, and 4107.
- Key, collar 및 nut는 부착되어 있습니다. ■ Key, collar and nut attached.

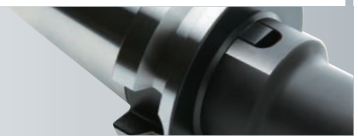
Code No.	ød	L	øC	L1	W	H	M x P	Weight (kg)
BT30 - SCA25.4 - 60	25.4	60	40	25	6.35	21	M24X1.5	0.9
BT40 - SCA25.4 - 75	25.4	75	40	25	6.35	21	M24X1.5	2.1
		120						2.5
SCA31.75 - 90	31.75	90	46	30	7.93	26	M30X1.5	2.6
		120						2.9
BT50 - SCA25.4 - 90	25.4	90	40	25	6.35	21	M24X1.5	4.7
		135						5.0
SCA31.75 - 90	31.75	90	46	30	7.93	26	M30X1.5	5.1
		135						5.7
SCA38.1 - 90	38.1	90	55	36	9.53	31	M36X1.5	5.8
		135						6.8

Spare Parts			
Type	Parallel Key	Collar	Lock Nut
SCA25.4	6.35 x 6.35 x 25	SCA25.4 -Set	SCA-M24
SCA31.75	7.92 x 7 x 25	SCA31.75 -Set	SCA-M30
SCA38.1	9.52 x 8 x 25	SCA38.1 -Set	SCA-M36

BT SHANK SIDE CUTTER ARBOR

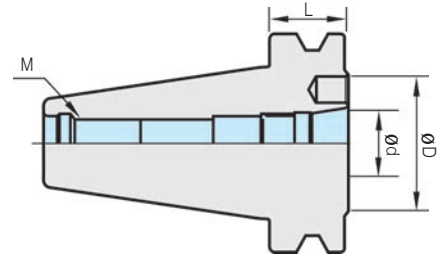


# CUTTER HOLDER



CODE No.

<b>BT50</b>	<b>WMA</b>	<b>630</b>	<b>40</b>
Shank	Cutter Type	Cutter Size	Length



BT SHANK CUTTER HOLDER

## PRODUCT INFORMATION

■ FPC 컷터, 볼컷터 전용 홀더

■ FPC, ball cutter holder.

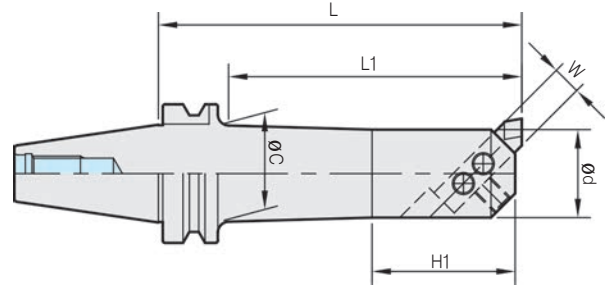
Code No.	øD	ød	L	M	Weight (kg)
BT50 - WMA - 63040	63	31.75	40	M24	3.2
BT50 - WMA - 80040	80	44.45	40		3.2

# SQUARE BORING BAR

Boring Range :  $\phi 25.0 \sim \phi 190.0$

CODE No.

BT50    BSA50    180  
 Shank    45°    Length



## PRODUCT INFORMATION

- 황삭용 Boring 및 중간정삭 Boring.    ■ Rough boring and semi finish boring.
- 막힌 구멍과 관통된 구멍 Boring.    ■ Both blind and through hole boring.

Code No.	$\phi d$	Boring Range		L	$\phi C$	L1	H1	W	Weight (kg)
		min	max						
BT30 - BSA25 - 120	20	25	38	120	22	92	35	8	0,5
BSA30 - 150	24	30	42	150	26	121	40		0,9
BSA38 - 165	30	38	52	165	33	135	50	10	0,9
BSA42 - 165	34	42	56		37	138	60		0,9
BT40 - BSA25 - 135	20	25	38	165	22	105	35	8	1,2
BSA30 - 165	24	30	42		26		40		1,3
BSA38 - 165	30	38	52		33	50	1,8		
BSA42 - 165	34	42	56		37	60	1,9		
BSA50 - 165	40	50	65	210	44	178	65	13	2,2
- 210					2,6				
BSA62 - 165	50	62	90	165	50	133	80	16	3,3
- 225				225	56				193
BSA72 - 165	60	72	110	165	60	-	95	19	3,6
- 225				225					4,5
BSA90 - 165	75	90	125	165	62	-	60	19	4,2
- 210				210					6,5
BT50 - BSA25 - 135	20	25	38	135	22	92	35	8	4,0
BSA30 - 165	24	30	42	165	26	122	40		4,2
BSA38 - 180	30	38	52	180	33	137	50	10	4,5
BSA42 - 210	34	42	56	210	37	167	60		4,6
BSA50 - 180	40	50	65	180	46	137	65	13	5,0
- 240				240		197			5,4
BSA62 - 195	50	62	90	195	56	152	80	16	6,5
- 270				270		227			7,0
BSA72 - 195	60	60	110	195	66	152	95	19	7,0
- 285				285		242			7,5
BSA90 - 210	75	72	125	210	80	167	110	19	8,5
- 300				300		257			9,4
BSA105 - 195	90	105	160	195	90	-	130	25	11,0
- 285				285					94
BSA130 - 255	110	130	190	255	99	-	85	25	15,0

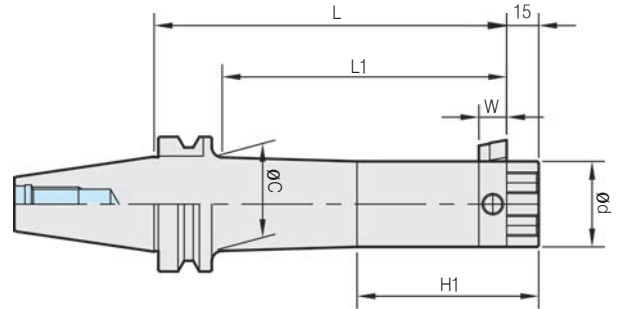
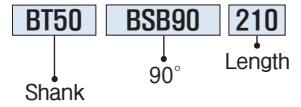
▶ 보링바이트는 별도 구매입니다.

▶ BORING BITE is ordered separately.

# SQUARE BORING BAR

Boring Range :  $\phi 25.0 \sim \phi 260.0$

CODE No.



## PRODUCT INFORMATION

- 황삭용 Boring 및 중간정삭 Boring.    ■ Rough boring and semi finish boring.
- 막힌 구멍과 관통된 구멍 Boring.     ■ Both blind and through hole boring.

Code No.	ød	Boring Range		L	øC	L1	H1	W	Weight (kg)
		min	max						
BT30 - BSB25 - 120	20	25	52	120	22	92	50	8	1.2
BSB38 - 165	30	38	70	165	33	121	70	10	1.2
BSB50 - 165	40	50	90		44	135	85	13	1.2
BT40 - BSB25 - 135	20	25	52	135	22	90	50	8	1.4
BSB38 - 165	30	38	70	165	33	135	70	10	1.5
BSB50 - 165	40	50	90		44		85	13	2.0
- 210				210	180	85	13	2.4	
BSB62 - 165	50	62	115	165	-	135	95	16	3.2
- 225				225	180	95			16
BSB72 - 165	60	72	135	165	-	135	10	19	3.8
- 225				225	195	10			19
BSB90 - 165	75	90	150	165	-	-	130	19	4.0
- 210				210	-	130			19
BT50 - BSB25 - 135	20	25	52	135	22	92	50	8	4.0
BSB38 - 180	30	38	70	180	33	137	70	10	4.2
BSB50 - 180	40	50	90				44	85	13
- 240				240	197	85	13	5.2	
BSB62 - 195	50	62	115	195	56	152	95	16	6.1
- 270				270					227
BSB72 - 195	60	72	135	195	66	152	110	19	6.9
- 285				285					242
BSB90 - 210	75	90	150	210	80	167	130	19	8.0
- 300				300					257
BSB105 - 195	90	105	190	195	-	-	-	25	9.9
- 285				285	94	150	25		10.5
BSB130 - 255	110	130	260	255	-	-	60	25	12.5

▶ 보링바이트는 별도 구매입니다.

▶ BORING BITE is ordered separately.

Excellent Precision  
Excellent Quality

**SELUX**  
NC TOOLING SYSTEM

# HSK

## CHUCK & Item

HYDRAULIC CHUCK  
MILLING CHUCK  
HIGH SPEED MILLING CHUCK  
SHRINK FIT HOLDER  
SSK COLLET CHUCK  
HIGH SPEED GSK COLLET CHUCK  
ER COLLET CHUCK  
NC DRILL CHUCK  
TAPPING CHUCK HOLDER  
SIDE LOCK HOLDER  
MORSE TAPER HOLDER  
FACE MILL ARBOR



# HYDRAULIC CHUCK



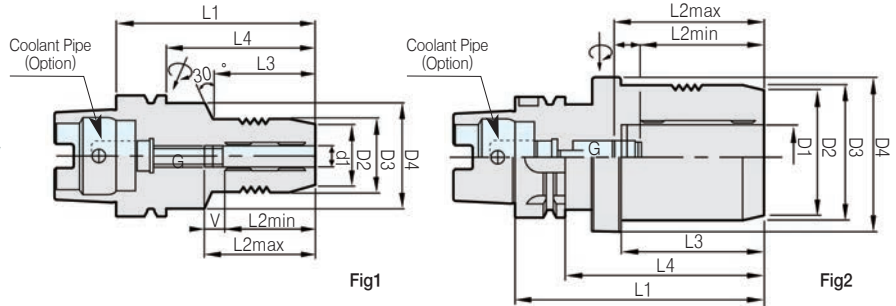
Coolant-through hole

Clamping Range :  $\varnothing 3.0 \sim \varnothing 32.0$

CODE No.

**HSK63A** | **SHC20** | **90**  
 Shank | Chucking Dia | Length

**MAX**  
**25,000**  
 min<sup>-1</sup>



## PRODUCT INFORMATION

- 4D 선단에서 3 $\mu$ m이내의 흔들림정도
- 높은 정밀도와 고속가공에 최적화
- 유압방식의 강력한 파지력
- 렌치 하나로 쉽게 공구고정
- 3 $\mu$ m(T.I.R) Run-out at 4D away from shank nose.
- The optimal chckuk for excellent accuracy and high speed operation.
- Powerful clamping force of hydraulic type.
- Easy clamping with just one wrench.

CODE NO.	d1	D2	D3	D4	L1	L2max	L2min	V	L3	L4	G	Type	Weight (kg)
HSK40A - SHC 6 - 70	6	25	28	34	70	27.5	37.5	10	28	50	M5X0.8	Fig1	0.5
SHC 8 - 70	8	27	30		75	32.5	42.5		34	55	M6X1.0		0.5
SHC 10 - 75	10	29	32		85	37.5	47.5		-	65	M6X1.0		0.6
SHC 12 - 85	12	31	34										0.65
HSK50A - SHC 6 - 70	6	25	28	40	70	27.5	37.5	10	28	44	M5X0.8	Fig1	0.65
SHC 8 - 70	8	27	30		80	32.5	42.5		34	54	M6X1.0		0.65
SHC 10 - 80	10	29	32		85	37.5	47.5		44	59			0.7
SHC 12 - 85	12	31	34										0.75
SHC 14 - 85	14	33	36	60	90	42.5	52.5	10	30	64	M6X1.0	Fig2	0.75
SHC 16 - 90	16	35	38						-				0.9
SHC 18 - 90	18	38	41						-				0.9
SHC 20 - 90	20	40	42						-	1.0			
HSK63A - SHC 6 - 70	6	25	28	50	70	27.5	37.5	10	24	44	M5X0.8	Fig1	0.53
SHC 8 - 70	8	27	30		80	32.5	42.5		35	54	M6X1.0		0.55
SHC 10 - 80	10	29	32		85	37.5	47.5		40	59			1.08
SHC 12 - 85	12	31	34										1.0
SHC 14 - 85	14	33	36	63	90	42.5	52.5	10	46	64	M8X1.0	Fig1	1.05
SHC 16 - 90	16	35	38						47				1.15
SHC 18 - 90	18	38	41						48				1.15
SHC 20 - 90	20	40	43						59	94	2.2		
SHC 25 - 120	25	53	57	75	125	55	65	63	99	M16X1.0	Fig2	2.4	
HSK100A - SHC 6 - 75	6	25	28	54	75	27.5	37.5	10	26	46	M5X0.8	Fig1	3.2
SHC 8 - 75	8	27	30		90	32.5	42.5		42	61	M6X1.0		3.2
SHC 10 - 90	10	29	32		95	37.5	47.5		47	66			3.4
SHC 12 - 95	12	31	34										3.4
SHC 14 - 95	14	33	36	50	100	42.5	52.5	10	53	71	M8X1.0	Fig1	3.5
SHC 16 - 100	16	35	38						59	76			3.6
SHC 18 - 100	18	38	41						62	81			M16X1.0
SHC 20 - 105	20	40	43										
SHC 25 - 110	25	53	57	63	110	51	61					4.2	
SHC 32 - 110	32	58	63	75		55	65						4.3

- ▶ 유압척 사용시 절삭공구 Shank공차는 h6 안에 들어오는 절삭공구 사용을 권장합니다.
- ▶ 유압척 SHC12, SHC20, SHC32는 D또는 OD콜릿을 사용하여 다양하게 공구를 척킹 할 수 있습니다.
- ▶ 유압척 전용 콜릿은 **P132~P133**
- ▶ 척킹시 필요한 렌치는 부속되어 있습니다.
- ▶ 황삭작업에는 권장하지 않습니다.
- ▶ 내부급유 클린트파이프는 **P94**
- ▶ Tolerance of cutting tool shank should be configured within h6.
- ▶ HYDRAURIC CHCUK SHC12, SHC20, SHC32 are possible. to use various shank cutting tool with D or OD COLLET.
- ▶ HYDRAURIC COLLET are refered. **P132~P133**
- ▶ Wrench is included.
- ▶ We do not recommend to use hydraulic chuck for roughing operation.
- ▶ The Coolant pipe are refered. **P94**



# HYDRAULIC CHUCK



Coolant-through hole

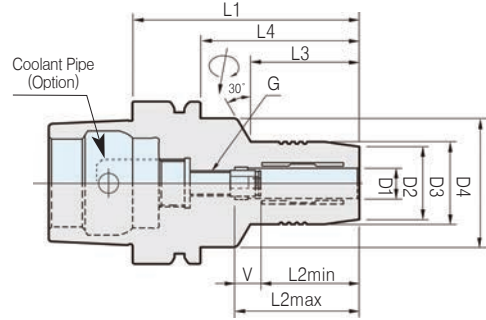
Clamping Range :  $\varnothing 3.0 \sim \varnothing 20.0$



CODE No.

HSK40E SHC10 75  
Shank Chucking Dia Length

MAX  
40,000  
min<sup>-1</sup>



## PRODUCT INFORMATION

- 4D 선단에서 3 $\mu$ m이내의 흔들림정도
- 높은 정밀도와 고속가공에 최적화
- 유압방식의 강력한 파지력
- 렌치 하나로 쉽게 공구고정
- 3 $\mu$ m(T.I.R) Run-out at 4D away from shank nose.
- The optimal chckuk for excellent accuracy and high speed operation.
- Powerful clamping force of hydraulic type.
- Easy clamping with just one wrench.

CODE NO.	D1	D2	D3	L1	L2min	L2max	V	L3	G	Weight (kg)
HSK40C - SHC 6 - 60	6	25	28	60	27.5	37.5	10	35	M5X0.8	0.6
SHC 8 - 60	8	27	30					36	M6X1.0	0.6
SHC 10 - 65	10	29	32	65	32.5	42.5		41	M6X1.0	0.6
SHC 12 - 70	12	31	34	70	37.5	47.5		47	M6X1.0	0.65
HSK50C - SHC 6 - 60	6	25	28	60	27.5	37.5	10	30	M5X0.8	0.65
SHC 8 - 60	8	27	30					35	M6X1.0	0.65
SHC 10 - 65	10	29	32	65	32.5	42.5		44	M6X1.0	0.7
SHC 12 - 75	12	31	34	75	37.5	47.5		46	M6X1.0	0.75
SHC 14 - 75	14	33	36	80	42.5	52.5	10	51	M8X1.0	0.9
SHC 16 - 80	16	35	38					51	M8X1.0	0.9
SHC 18 - 80	18	38	41	80	42.5	52.5		52	M8X1.0	0.9
SHC 20 - 80	20	40	43	80	42.5	52.5		52	M8X1.0	1.0

CODE NO.	D1	D2	D3	D4	L1	L2min	L2max	V	L3	L4	G	Weight (kg)
HSK40E - SHC 6 - 75	6	25	28	34	75	27.5	37.5	10	28	55	M5X0.8	0.6
SHC 8 - 70	8	27	30		70					50		0.6
SHC 10 - 75	10	29	32		75	32.5	42.5		34	55	M6X1.0	0.7
SHC 12 - 85	12	31	34		85	37.5	47.5		-	65	M6X1.0	0.7
HSK50E - SHC 6 - 70	6	25	28	40.0	70	27.5	37.5	10	28	44	M5X0.8	0.7
SHC 8 - 70	8	27	30							44	M6X1.0	0.7
SHC 10 - 80	10	29	32		80	32.5	42.5		34	54	M6X1.0	0.7
SHC 12 - 85	12	31	34		85	37.5	42.5		44	59		0.8
SHC 16 - 90	16	35	38	60	90	42.5	52.5	10	30	64	M6X1.0	0.9
SHC 20 - 90	20	40	42	-					30			64

- ▶ 유압척 사용시 절삭공구 Shank공차는 h6 안에 들어오는 절삭공구 사용을 권장합니다.
- ▶ 유압척 SHC12, SHC20, SHC32는 D또는 OD콜릿을 사용하여 다양하게 공구를 척킹 할 수 있습니다.
- ▶ 유압척 전용 콜릿은 P132~P133
- ▶ 척킹시 필요한 렌치는 부속되어 있습니다.
- ▶ 황삭작업에는 권장하지 않습니다.
- ▶ 내부급유 콜릿타이프는 P94
- ▶ Tolerance of cutting tool shank should be configured within h6.
- ▶ HYDRAURIC CHCUK SHC12, SHC20, SHC32 are possible. to use various shank cutting tool with D or OD COLLET.
- ▶ HYDRAURIC COLLET are refered. P132~P133
- ▶ Wrench is included.
- ▶ We do not recommend to use hydraulic chuck for roughing operation.
- ▶ The Coolant pipe are refered. P94

# MILLING CHUCK

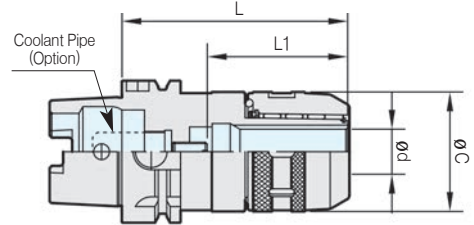
Coolant-through hole

Clamping Range :  $\phi 3.0 \sim \phi 42.0$



CODE No.

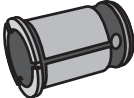

**HSK63A** **MC32** **110**  
 Shank      Chucking Dia      Length



## PRODUCT INFORMATION

- 높은 정밀도
- 3.5D 선단에서 5 $\mu$ m이내의 흔들림정도
- 간편한 척킹 시스템
- Taper 접촉 80%이상 Taper공차 AT3로 보증
- 완전한 단면 밀착으로 강력 절삭
- 4배열 Roller System 방식으로 강력한 파지력
- Excellent Run-out Accuracy.
- 5 $\mu$ m(T.I.R) Run-out at 3.5D away from shank nose.
- Easy chucking system.
- More than 80% taper contact, we guarantee taper tolerance AT3.
- The strongest cutting power due to perfect face contact construction.
- Powerful clamping force by 4 needle roller system.

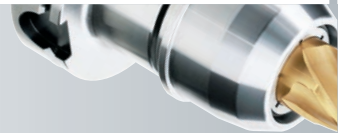
Code No.	$\phi d$	L	$\phi C$	L1	Collet	Weight (kg)
HSK40A - MC20 - 100	20	100	53	57	K20	1.2
HSK50A - MC20 - 95	20	95	53	57	K20	1.2
HSK63A - MC20 - 105	20	105	53	76	K20	1.7
MC25 - 105	25	105	62	77	K25	2.0
MC32 - 110	32	110	72	80	K32	2.2
- 130		130		100		2.6
HSK100A - MC20 - 105		105		53		77
MC20 - 135	20	135	53	77	K20	3.6
MC25 - 105	25	105	62	80	K25	3.3
- 135		135				3.6
MC32 - 110		110				81.5
- 135	32	135	72	102	K32	4.0
- 165		165		105		4.8
- 200		200		105		5.7
- 250		250		105		7.0
MC42 - 115	42	115	94	87	K42	4.8
- 135		135		112		5.5
- 165		165		120		7.0
- 200		200		120		8.5
- 250		250		120		10.8

Spare Parts		
Type	Option	
	Collet	Spanner
		
MC20	K20-NC20	MC20-SP(50-55)
MC25	K25-NC25	MC25-SP(56-61)
MC32	K32-NC32	MC32-SP(68-75)
MC42	K42-NC42	MC42-SP(88-96)

- ▶ 고속 바란스 작업시 추가 비용이 청구됩니다.
- ▶ 밀링척은 콜릿을 사용하여 다양한 Shank의 공구들을 체결할 수 있습니다.
- ▶ 밀링척 전용 콜릿은 P134~P136
- ▶ 밀링척 스패너는 별도 판매품 입니다. P149
- ▶ 내부급유 콜러트파이프는 P94
- ▶ Extra charge for high speed balance.
- ▶ MILLING CHUCK is possible to use cutting tools of a various shank with COLLET.
- ▶ K-COLLET are referred. P134~P136
- ▶ Spanner is ordered separately. P149
- ▶ The Coolant pipe are referred. P94

HSK SHANK MILLING CHUCK

# HIGH SPEED MILLING CHUCK



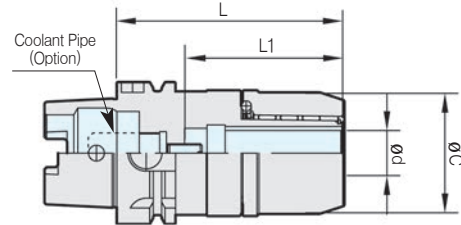
Coolant-through hole  
Clamping Range :  $\phi 3.0 \sim \phi 32.0$



CODE No.

HSK63A MC32 110 G  
Shank Chucking Dia Length High Speed

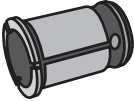

MAX  
30,000  
min<sup>-1</sup>



## PRODUCT INFORMATION

- 고속 가공에서 높은 정도
- 강력한 파지력
- 3.5D 선단에서 5 $\mu$ m이내의 흔들림 정도
- 스패너는 GH 스패너 사용(별매)
- G6.3 max 30,000RPM
- 원형너트로 고속 절삭시 소음 감소
- Excellent Run-out Accuracy.
- Powerful clamping force.
- 5 $\mu$ m(T,I,R)Run-out at 3.5D away from shank nose.
- GH spanner is orderd seperately.
- G6.3 max 25,000 RPM.
- The operation noise is reduced by assembled circle style nut.

Code No.	$\phi d$	L	$\phi C$	MAX rpm	L1	Weight (kg)
HSK40A - MC20 - 100G	20	100	48	30,000	57	1.2
HSK50A - MC20 - 95G	20	95	48	30,000	57	1.2
HSK63A - MC20 - 105G	20	105	55	25,000	76	1.7
MC25 - 105G	25		77		2.0	
MC32 - 110G	32	110	68	20,000	80	2.2
HSK100A - MC20 - 105G	20	105	48		15,000	100
MC25 - 105G	25		55	77		3.3
MC32 - 110G	32	110	68	12,000	80	3.2
- 135G		135				4.0

Spare Parts		
Type	Option	
	Collet	Spanner
		
MC20-G	K20 - NC20	MC20-GH
MC25-G	K25 - NC25	MC25-GH
MC32-G	K32 - NC32	MC32-GH

- ▶ 고속형밀링척은 콜릿을 사용하여 다양한 Shank의 공구들을 체결할 수 있습니다.
- ▶ 밀링척 전용 콜릿은 P134 ~ P136
- ▶ 고속형밀링척 GH스패너는 별도 판매품 입니다. P149
- ▶ 내부급유 콜린트파이프는 P94
- ▶ High speed MILLING CHUCK is possible to use cutting tools of a various shank with COLLET.
- ▶ K-COLLET is refered. P132~P133
- ▶ GH SPANNER for high speed milling chuck is ordered seperately. P149
- ▶ The Coolant pipe are refered. P94

# SHRINK FIT HOLDER

Coolant-through hole

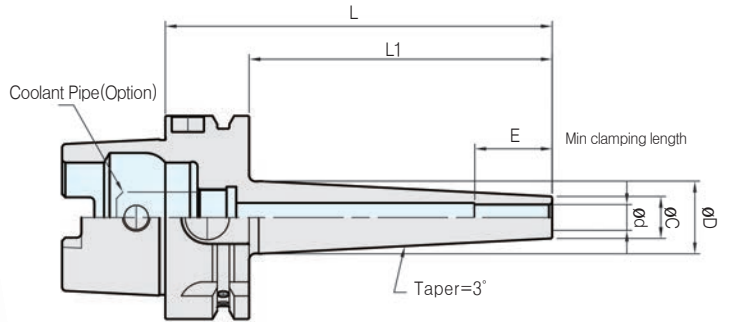
Clamping Range :  $\phi 4.0 \sim \phi 12.0$



CODE No.

HSK63A    SSF10    S    120  
 Shank    Chucking Dia    Shim    Length

**MAX**  
**25,000**  
 min<sup>-1</sup>



## PRODUCT INFORMATION

- 4D선단에서 3 $\mu$ m이내의 흔들림 정도
- 높은 정밀도와 강력한 파지력
- 대칭적, 슬림한 디자인으로 가공최적화
- 전제품 내부공유 (Coolant Through Hole)
- 3 $\mu$ m(T.I.R) Run-out at 4D away from shank nose
- Excellent Run-out accuracy and powerful clamping
- Optimal operation with slim and symmetrical design
- All products can be used for center through coolant type

Code No.	$\phi d$	$\phi C$	$\phi D$	L	L1	E	Weight (kg)			
HSK40A - SSF 4S - 105	4	7	12.6	105	82	12	0.32			
						18	0.32			
						24	0.35			
						30	0.39			
						30	0.46			
HSK50A - SSF 6S - 105	6	10	18.0	105	76	18	0.62			
						24	0.65			
						30	0.68			
						30	0.71			
HSK63A - SSF 6S - 120	6	10	19.5	120	91	18	0.9			
			24.3	165	136	1.0				
			SSF 8S - 120	8	13	22.5	120	91	24	0.9
						27.2	165	136	1.1	
SSF10S - 120	10	16	25.5	120	91	30	1.0			
			30.2	165	136	1.1				
SSF12S - 120	12	19	28.5	120	91	30	1.0			
			33.2	165	136	1.2				

- ▶ 열박음홀더 사용시 절삭공구 Shank경은 h6의 제품을 사용해 주십시오.
- ▶ 절삭공구는 초경 Shank만 대응합니다. (하이스 제품 사용금지)
- ▶ 열박음홀더 사용시 지정된 고주파 히팅기를 사용해서 절삭공구 체결을 권장합니다.
- ▶ SELUX 고주파 히팅기는 P145
- ▶ 절삭공구 최소 삽입깊이를 준수해 주시기 바랍니다.
- ▶ 공구길이조정 Stopper는 별도 판매 입니다. P145
- ▶ 내부공유 쿨런트파이프는 P94
- ▶ 열박음척 사용시 척 내경에 있는 방청유를 제거후에 사용하셔야 합니다. 내구성 저하 원인이 됩니다.

- ▶ Please use only carbide cutting tools of a shank tolerance within H6.
- ▶ Please use only carbide cutting tools for shrink fit holder. (Prohibit use HSS CUTTING TOOLS)
- ▶ We recommend shrink fit equipment when you use shrink fit holder.
- ▶ SELUX shrink fit equipment is referred. P145
- ▶ Please follow minimum insertion length of the cutting tools.
- ▶ Stopper for adjusting cutting tool length order separately. P145
- ▶ The Coolant pipe are referred. P94
- ▶ Please clean the shank outside and inside of shrink fit before use. If you don't clean the shrink fit, it has problem about Run-out and tool life.

# SHRINK FIT HOLDER

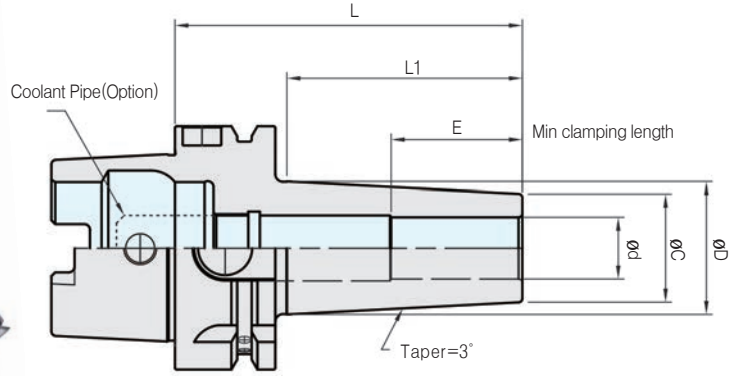
Coolant-through hole  
Clamping Range :  $\phi 4.0 \sim \phi 20.0$

CODE No.  

HSK63A	SSF10	120
--------	-------	-----

  
 Shank      Chucking Dia      Length

**MAX**  
**25,000**  
min<sup>-1</sup>



Code No.	$\phi d$	$\phi C$	$\phi D$	L	L1	E	Weight (kg)
HSK40A - SSF 4 - 60	4	10	14.0	60	38	12	0.27
SSF 6 - 75	6	14	19.5	75	52	18	0.31
SSF 8 - 75	8	18	23.5			24	0.34
SSF10 - 75	10	22	27.5			30	0.42
SSF12 - 75	12	24	29.5				0.43
HSK50A - SSF 4 - 75	4	10	15.0	75	46	12	0.51
SSF 6 - 75	6	14	19.0			18	0.61
SSF 8 - 75	8	18	23.0			24	0.64
SSF10 - 75	10	22	27.0			30	0.67
SSF12 - 75	12	24	29.0				0.69
SSF16 - 75	16	28	33.0			34	0.71
HSK63A - SSF 4 - 90	4	10	16.4	90	61	12	0.85
SSF 6 - 90	6	14	20.4	150	121	18	0.9
- 150			26.7				1.04
SSF 8 - 90	8	18	24.4	90	61	24	0.9
- 150			30.7				1.15
SSF10 - 90	10	22	38.4	90	61	30	1.0
- 150			34.7				1.29
SSF12 - 90	12	24	30.4	90	61	30	1.0
- 150			36.7				1.33
SSF16 - 90	16	28	34.4	90	61	34	1.0
- 165			42.3				1.7
SSF20 - 90	20	34	40.4	90	61	40	1.1
- 165			48.3				1.9
HSK100A - SSF 6 - 105	6	14	21.7	105	73	18	2.5
- 165	8	18	27.9	105	73	24	2.7
SSF 8 - 105			25.7				2.5
- 165	10	22	31.9	105	73	30	2.8
SSF10 - 105			29.7				2.6
- 165	12	24	35.9	105	73	30	2.9
SSF12 - 105			31.7				2.6
- 165	16	28	37.9	105	73	34	3.0
SSF16 - 105			35.7				2.7
- 165	20	34	41.9	105	73	40	3.1
SSF20 - 105			41.7				2.8
- 165			47.9	165	133		3.4

- ▶ 열박음홀더 사용시 절삭공구 Shank경은 h6의 제품을 사용해 주십시오.
- ▶ 절삭공구는 초경 Shank만 대응합니다. (하이스 제품 사용금지)
- ▶ 열박음홀더 사용시 지정된 고주파 히팅기를 사용해서 절삭공구 체결을 권장합니다.
- ▶ SELUX 고주파 히팅기는 P145
- ▶ 절삭공구 최소 삽입길이를 준수해 주시기 바랍니다.
- ▶ 공구길이조정 Stopper는 별도 판매 입니다. P145
- ▶ 내부금유 클린트파이프는 P94
- ▶ 열박음척 사용시 척 내경에 있는 방청유를 제거후에 사용하셔야 합니다. 내구성 저하 원인이 됩니다.

- ▶ Please use only carbide cutting tools of a shank tolerance within H6.
- ▶ Please use only carbide cutting tools for shrink fit holder. (Prohibit use HSS CUTTING TOOLS)
- ▶ We recommend shrink fit equipment when you use shrink fit holder.
- ▶ SELUX shrink fit equipment is referred. P145
- ▶ Please follow minimum insertion length of the cutting tools.
- ▶ Stopper for adjusting cutting tool length order separately. P145
- ▶ The Coolant pipe are referred. P94
- ▶ Please clean the shank outside and inside of shrink fit before use. If you don't clean the shrink fit, it has problem about Run-out and tool life.



# SHRINK FIT HOLDER

Coolant-through hole

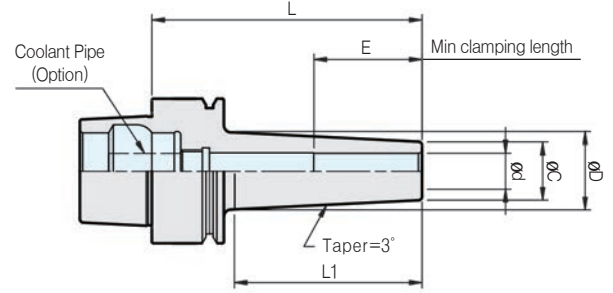
Clamping Range :  $\phi 4.0 \sim \phi 12.0$



CODE No.

HSK40E | SSF10 | S | 75  
 Shank | Chucking Dia | Shim Length

**MAX**  
**40,000**  
 min<sup>-1</sup>



## PRODUCT INFORMATION

- 4D선단에서 3 $\mu$ m이내의 흔들림 정도
- 높은 정밀도와 강력한 파지력
- 대칭적, 슬림한 디자인으로 가공최적화
- 전제품 내부급유 (Coolant Through Hole)
- 3 $\mu$ m(T.I.R) Run-out at 4D away from shank nose.
- Excellent Run-out accuracy and powerful clamping.
- Optimal operation with slim and symmetrical design.
- All products can be used for center through coolant type.

Code No.	$\phi d$	$\phi C$	$\phi D$	L	L1	E	Weight (kg)
HSK25E - SSF 4S - 45	4	7	10.0	45	32	12	0.06
SSF 6S - 60	6	10	15.0	60	47	18	0.08
SSF 8S - 60	8	13	18.0			24	0.10
HSK32E - SSF 4S - 60	4	7	10.0	60	37	12	0.14
SSF 6S - 60	6	10	13.5			18	0.15
SSF 8S - 60	8	13	16.5			24	0.16
SSF10S - 60	10	16	20.0			30	0.18
SSF12S - 60	12	19	23.0				0.19
HSK40E - SSF 4S - 60	4	7	10.0	75	52	12	0.22
SSF 6S - 75	6	10	15.0			18	0.24
SSF 8S - 75	8	13	18.0			24	0.26
SSF10S - 75	10	16	21.0			30	0.29
SSF12S - 75	12	19	24.0				0.31
HSK50E - SSF 6S - 75	6	10	14.5	75	52	18	0.45
SSF 8S - 75	8	13	17.5			0.46	
SSF10S - 75	10	16	20.5			24	0.48
SSF12S - 75	12	19	23.5			30	0.51

- ▶ 열박음홀더 사용시 절삭공구 Shank경은 h6의 제품을 사용해 주십시오.
- ▶ 절삭공구는 초경 Shank만 대응합니다. (하이스 제품 사용금지)
- ▶ 열박음홀더 사용시 지정된 고주파 히팅기를 사용해서 절삭공구 체결을 권장합니다.
- ▶ SELUX 고주파 히팅기는 P145
- ▶ 절삭공구 최소 삽입길이를 준수해 주시기 바랍니다.
- ▶ 공구길이조정 Stopper는 별도 판매 입니다. P145
- ▶ 내부급유 쿨런트파이프는 P94
- ▶ 열박음척 사용시 척 내경에 있는 방청유를 제거후에 사용하셔야 합니다. 내구성 저하 원인이 됩니다.
- ▶ Please use only carbide cutting tools of a shank tolerance within H6.
- ▶ Please use only carbide cutting tools for shrink fit holder. (Prohibit use HSS CUTTING TOOLS)
- ▶ We recommend shrink fit equipment when you use shrink fit holder.
- ▶ SELUX shrink fit equipment is referred. P145
- ▶ Please follow minimum insertion length of the cutting tools.
- ▶ Stopper for adjusting cutting tool length order separately. P145
- ▶ The Coolant pipe are referred. P94
- ▶ Please clean the shank outside and inside of shrink fit before use. If you don't clean the shrink fit, it has problem about Run-out and toolife.

HSK SHANK SHRINK FIT HOLDER

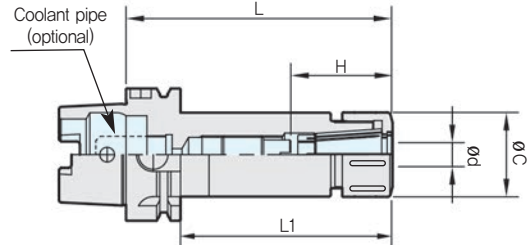
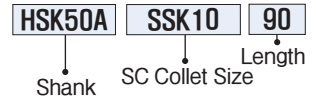
# SSK COLLET CHUCK

Coolant-through hole

Clamping Range :  $\phi 1.0 \sim \phi 25.4$



CODE No.



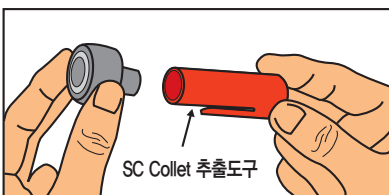
## PRODUCT INFORMATION

- 8° Taper 의 강력한 파지력
- 높은 정밀도와 빠른 가공에 적합
- 드릴, 센터드릴, 엔드밀, 탭, 리머용으로 사용

- Powerful clamping force of 8° taper.
- Excellent Run-out Accuracy.
- SSK COLLET CHUCK is suitable for a various operation using drill, endmill, tap and reamer.

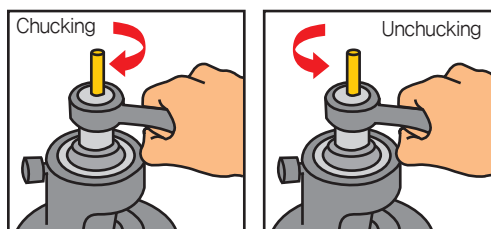
Code No.	$\phi d$	L	C	H	L1	Weight (kg)
HSK40A - SSK 6 - 60	0.9~6.0	60	19.5	40	40	0.3
SSK10 - 60	1.75~10.0		27.5			0.35
- 75		75	33	29~36	55	0.4
SSK13 - 75	55			0.5		
SSK16 - 90	60			70	0.7	
HSK50A - SSK 6 - 60	0.9~6.0	60	19.5	37	34	0.4
SSK10 - 60	1.75~10.0		27.5			0.5
- 90		90	33	36~41	64	0.6
SSK13 - 90	31~47			1.0		
SSK16 - 90	40			50~58		1.2
HSK63A - SSK 6 - 90	0.9~6.0	90	19.5	26~31	64	0.9
SSK10 - 105	1.75~10.0		27.5			33~41
SSK13 - 105		105	33	31~47	79	1.2
SSK16 - 105			40	50~58	1.3	
SSK20 - 120	3.5~20.0	120	48.5	50~55	94	1.8
SSK25 - 125	15.5~25.4	125	55	60~65	99	1.9
HSK100A - SSK 6 - 120	0.9~6.0	120	19.5	26~31	91	1.3
SSK10 - 125	1.75~10.0		27.5			33~41
SSK13 - 135		135	33	39~40	106	3.2
SSK16 - 140			40	46~51	111	3.4
SSK20 - 150	3.5~20.0	150	48.5	48~63	121	3.5
SSK25 - 155	15.5~25.4	155	55	60~65	126	5.0

- ▶ 너트, 조절나사 및 콜릿추출도구는 부속되어 있습니다.
- ▶ 스페너는 별매입니다. P149
- ▶ Synchronized Tap 사용시 SSK10을 사용하십시오.  
Aluminum MAX Tapping M12  
Steel MAX Tapping M10  
Stainless Steel MAX Tapping M8  
위 사양 이상인경우는 Milling Chuck에 K-Collet을 사용하시길 바랍니다.
- ▶ SSK척 콜릿은 P138~P139
- ▶ 절삭공구 체결시 무리한 힘이 가해질시 너트 및 홀더가 파손 될 수 있습니다.
- ▶ 고속 바란스 작업시 추가 비용이 청구됩니다.
- ▶ 내부급유 콜릿트파이프는 P94
- ▶ NUT, ADJUST SCREW, COLLET REMOVER are included.
- ▶ Spanner is ordered separately. P149
- ▶ Please use SSK10 when you use Synchronized Tap.  
Aluminum MAX Tapping M12  
Steel MAX Tapping M10  
Stainless Steel MAX Tapping M8  
If it has problem, We recommend K COLLET with Milling Chuck.
- ▶ SC COLLET is referred. P138 ~ P139
- ▶ The nut or shank of chuck can be destoried if you too strongly clamp nut and holder.
- ▶ Extra charge for high speed balance.
- ▶ The Coolant pipe are referred. P94



SSK Chuck NUT에 SC Collet 체결시에는 전용 콜릿 추출 도구를 사용하시기 바랍니다.

Please use private remover when you insert the SSK COLLET in SSK NUT



SSK Collet chuck은 Nut와 Body 체결시 40 Torque 이상의 힘이 가해질 시 너트 및 바다가 파손될 수 있습니다. ※주의 (SSK6, SSK10)

SSK NUT and SSK CHCUK is possible to be broken if you clamp chuck and nut over 40 Torque ( ※ WARNING SSK6, SSK10)

# GSK COLLET CHUCK



Coolant-through hole

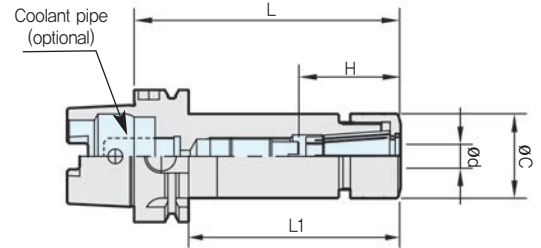
Clamping Range :  $\phi 1.0 \sim \phi 25.4$



CODE No.

HSK63A GSK25 125 P  
Shank SC Collet Size Length P Class

**MAX**  
**40,000**  
min<sup>-1</sup>



## PRODUCT INFORMATION

- 고속가공에서 높은 정도
- 8° Taper의 강력한 파지력
- 원형 너트로 컴팩트한 디자인
- 스페너는 PH스패너 사용(별매)
- G2.5X max 40,000 RPM
- 고속형GSK척에는 P CLASS 콜릿 사용을 권장

- Excellent Run-out Accuracy.
- Powerful clamping force of 8° taper.
- Circle style nut designed compactly
- PH spanner is orderd seperately.
- G2.5X max 40,000 RPM.
- We recommend to use P CLASS SC COLLET when you use GSK CHCUK.

Code No.	$\phi d$	L	C	H	L1	Weight (kg)
HSK40A - GSK 6 - 60P	0.9 ~ 6.0	60	19.5	40	40	0.3
GSK10 - 60P	1.75 ~ 10.0		27.5			0.35
- 75P		75	33	55	55	0.4
GSK13 - 75P	40					0.5
GSK16 - 90P	2.75 ~ 16.0	90	40	60	70	0.7
HSK50A - GSK 6 - 60P	0.9 ~ 6.0	60	19.5	37	34	0.4
GSK10 - 60P	1.75 ~ 10.0		27.5	35		0.5
- 90P		90	33	31~47	64	0.6
GSK13 - 90P	40					1.0
GSK16 - 90P	2.75 ~ 16.0	90	40	50~58	64	1.2
HSK63A - GSK 6 - 90P	0.9 ~ 6.0	90	19.5	26~31	64	0.9
GSK10 - 105P	1.75 ~ 10.0		27.5	33~41		1.1
GSK13 - 105P		105	33	31~47	79	1.2
GSK16 - 105P	40					1.3
GSK20 - 120P	3.5 ~ 20.0	120	48.5	50~55	94	1.8
GSK25 - 125P	15.5 ~ 25.4	125	55	60~65	99	1.9
HSK100A - GSK 6 - 120P	0.9 ~ 6.0	120	19.5	26~31	91	1.3
GSK10 - 125P	1.75 ~ 10.0	125	27.5	33~41	96	2.9
GSK13 - 135P	2.75 ~ 13.0	135	33	39~40	106	3.2
GSK16 - 140P	2.75 ~ 16.0	140	40	46~51	111	3.4
GSK20 - 150P	3.5 ~ 20.0	150	48.5	48~63	121	3.5
GSK25 - 155P	15.5 ~ 25.4	155	55	60~65	126	5.0

- ▶ 너트, 조절나사 및 콜릿추출도구는 부속되어 있습니다.
- ▶ 스페너는 별매입니다. P149
- ▶ GSK척 콜릿은 P138~P139
- ▶ 절삭공구 체결시 무리한 힘이 가해질시 너트 및 홀더가 파손 될 수 있습니다.
- ▶ 내부급유 콜러트파이프는 P94

- ▶ NUT, ADJUST SCREW, COLLET REMOVER are included.
- ▶ Spanner is ordered separately. P149
- ▶ P CLASS SC COLLET for GSK CHUCK is refered. P138 ~ P139
- ▶ The nut or shank of chuck can be destoried if you too strongly clamp nut and holder
- ▶ The Coolant pipe are refered. P94

# GSK COLLET CHUCK



Coolant-through hole

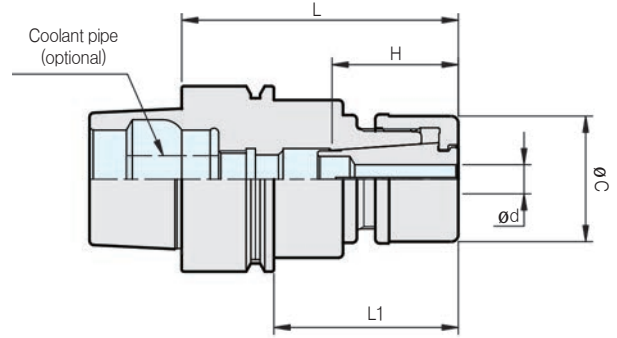
Clamping Range :  $\phi 1.0 \sim \phi 16.0$



CODE No.

HSK40E GSK10 60 P  
 Shank SC Collet Size Length P Class

MAX  
40,000  
min<sup>-1</sup>



## PRODUCT INFORMATION

- 고속가공에서 높은 정도
- 8° Taper의 강력한 파지력
- 원형 너트로 컴팩트한 디자인
- 스패너는 PH스패너 사용(별매)
- G2.5X max 40,000 RPM
- 고속형GSK척에는 P CLASS 콜릿 사용을 권장

- Excellent Run-out Accuracy.
- Powerful clamping force of 8° taper.
- Circle style nut designed compactly
- PH spanner is orderd seperately.
- G2.5X max 40,000 RPM.
- We recommend to use P CLASS SC COLLET when you use GSK CHCUK.

Code No.	$\phi d$	L	C	H	L1	MAX rpm	Weight (kg)
HSK25E - GSK 6 - 45P	0.9 ~ 6.0	45	19.5	30.5	35	40,000	0.1
GSK10 - 55P	1.75~10.0	55	27.5	41	45		0.2
HSK30E - GSK 6 - 50P	0.9 ~ 6.0	50	19.5	32	29	40,000	0.2
GSK10 - 60P	1.75~10.0	60	27.5	44	41		0.3
HSK40E - GSK 6 - 60P	0.9 ~ 6.0	60	19.5	40	37	30,000	3.0
GSK10 - 60P	1.75~10.0		27.5		39		0.4
GSK13 - 75P	2.75~13.0		33	55	54		0.6
GSK16 - 80P	2.75~16.0	80	40	59	59		0.6
HSK50E - GSK 6 - 60P	0.9 ~ 6.0	60	19.5	40	33	25,000	0.5
GSK10 - 60P	1.75~10.0		27.5				35
GSK13 - 70P	2.75~13.0		33	47			43
GSK16 - 80P	2.75~16.0	80	40	52	53	25,000	1.2

- ▶ 너트, 조절나사 및 콜릿추출도구는 부속되어 있습니다.
- ▶ 스패너는 별매입니다. P149
- ▶ GSK척 콜릿은 P138~P139
- ▶ 절삭공구 체결시 무리한 힘이 가해질시 너트및 홀더가 파손 될 수 있습니다.
- ▶ 내부급유 쿨런트파이프는 P94
- ▶ NUT, ADJUST SCREW, COLLET REMOVER are included.
- ▶ Spanner is ordered separately. P149
- ▶ P CLASS SC COLLET for GSK CHUCK is refered. P138 ~ P139
- ▶ The nut or shank of chuck can be destoried if you too strongly clamp nut and holder
- ▶ The Coolant pipe are refered. P94

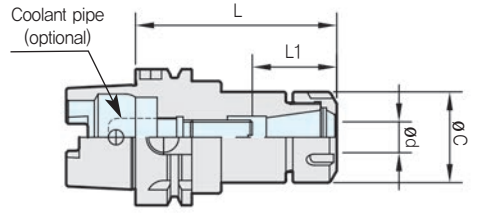
# ER COLLET CHUCK



Coolant-through hole  
Clamping Range :  $\phi 0.5 \sim \phi 26.0$



CODE No.  
**HSK63A** **ER16** **95**  
 Shank ER Collet Size Length



## PRODUCT INFORMATION

- 안정적인 정밀도와 파지력
- 쉽고빠른 공구교환
- 드릴, 엔드밀, 텡 다양한 사용범위
- Reliable accuracy and Powerful clamping force.
- Easy and quick tool exchange.
- ER COLLET CHUCK is suitable for a various operation using drill, endmill, tap.

Code No.	$\phi d$	L	$\phi C$	L1		Collet	Weight (kg)
				Min	Max		
HSK50A - ER11 - 75	0.5 ~ 7.0	75	19	19	34	ER11	0.5
ER16 - 90	0.5 ~ 10.0	90	28	2	43	ER16	0.6
ER20 - 95	1.0 ~ 13.0	95	35	25	48	ER20	0.7
ER25 - 100	1.0 ~ 16.0	100	42	34	54	ER25	0.8
ER32 - 105	2.0 ~ 20.0	105	50	40	60	ER32	0.9
HSK63A - ER11 - 80	0.5 ~ 7.0	80	19	19	34	ER11	0.8
ER16 - 95	0.5 ~ 10.0	95	28	2	43	ER16	1.0
ER20 - 100	1.0 ~ 13.0	100	35	25	48	ER20	1.1
ER25 - 105	1.0 ~ 16.0	105	42	34	54	ER25	1.2
ER32 - 110	2.0 ~ 20.0	110	50	40	60	ER32	1.4
ER40 - 120	3.0 ~ 26.0	120	63	50	80	ER40	1.8
HSK100A - ER11 - 85	0.5 ~ 7.0	85	19	19	34	ER11	2.4
ER16 - 95	0.5 ~ 10.0	95	28	2	43	ER16	2.7
ER20 - 105	1.0 ~ 13.0	105	35	25	48	ER20	3.0
ER25 - 110	1.0 ~ 16.0	110	42	34	54	ER25	3.2
ER32 - 120	2.0 ~ 20.0	120	50	40	60	ER32	3.4
ER40 - 130	3.0 ~ 26.0	130	63	50	80	ER40	3.6

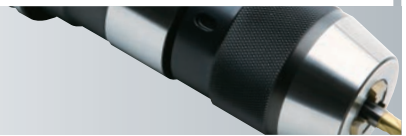
Spare Parts				
Type	Option			
	NUT	Adjust Screw	Spanner	ER Collet
ER11	UM/ER11(HEXA)	BTD0716-C	ER11-SP	ER11- $\phi$
ER16	UM/ER16(HEXA)	BTD1025-C	ER16-SP	ER16- $\phi$
ER20	UM/ER20(HEXA)	BTD1325-C	ER20-SP	ER20- $\phi$
ER25	UX/ER25	BTD1830-C	ER25-SP	ER25- $\phi$
ER32	UX/ER32	BTD2230-C	ER32-SP	ER32- $\phi$
ER40	UX/ER40	BTD2838-C	ER40-SP	ER40- $\phi$

- ▶ 내부급유 사용시에는 방수형콜릿이나 방수형 너트를 사용 해주십시오.
- ▶ ER콜릿은 P140~P141
- ▶ 스패너는 별매입니다. P149
- ▶ 고속 바란스 작업시 추가 비용이 청구됩니다.
- ▶ ER척 스페어 파트는 P53
- ▶ 내부급유 콜릿트 파이프는 P94
- ▶ Please use waterproof collet and waterproof nut for operating centre through coolant type.
- ▶ ER COLLET is referred. P140 ~ P141
- ▶ Spanner is ordered separately. P149
- ▶ Extra charge for high speed balance.
- ▶ The spare parts for ER CHCUK are referred. P71
- ▶ The Coolant pipe are referred. P94

HSK SHANK ER COLLET CHUCK



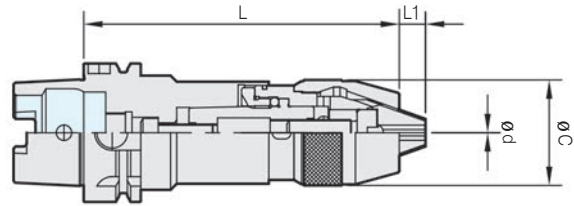
# NC DRILL CHUCK



Clamping Range :  $\phi 0.5 \sim \phi 13.0$

CODE No.

**HSK63A** **NPU13** **150**  
 ↓ ↓ ↓  
 Shank Chucking Dia Length

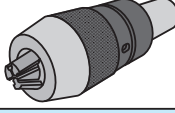
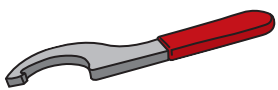
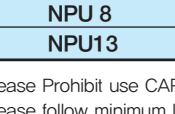
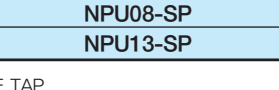


## PRODUCT INFORMATION

머시닝 센터의 일반적인 드릴링 공구입니다. **General Drillings for Machining Centers**

- 척과 샤프트가 일체형 구조로 길이가 짧음
- 가공정도 향상과 우수한 내구성
- 척의 탈락이 없고 주축 정지시 풀리지 않음
- Unified body of chuck and shank reduces the length of tool.
- Improved operation accuracy and excellent rigidity
- The drillchuck is never detached from holder and is not released when the operation is stop.

Code No.	$\phi d$	L	$\phi C$	L1	Weight (kg)
HSK50A - NPU 8 - 135	0.3 ~ 8.0	135	38	8.5	1.4
HSK63A - NPU 8 - 135	0.3 ~ 8.0	135	38	8.5	1.8
NPU13 - 150	1.0 ~ 13.0	150	50	11.5	2.2
HSK100A - NPU 8 - 135	0.3 ~ 8.0	135	38	8.5	3.5
NPU13 - 165	1.0 ~ 13.0	165	50	11.5	4.4

Spare Parts		
Type	Basic	
	Chuck	Spanner
NPU 8		
NPU13		
	NPU 8	NPU08-SP
	NPU13	NPU13-SP

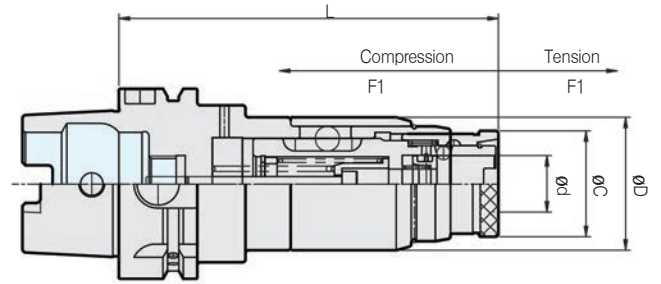
- ▶ 초경 드릴, 탭은 절대 사용을 금지해 주십시오.
- ▶ 절삭공구 최소 척킹 길이를 준수해 주시기 바랍니다.  
 NPU8-20mm이상  
 NPU13-30mm이상
- ▶ 스페너는 별매입니다. P149
- ▶ Please Prohibit use CARBIDE DRILL and CARBIDE TAP.
- ▶ Please follow minimum length of cutting tools.  
 NPU8 : more 20mm  
 NPU13 : more 30mm
- ▶ Spanner is ordered separately. P149

# TAPPING CHUCK HOLDER

Tapping Range : M3 ~ M36

CODE No.

**HSK63A** **TCH22** **190**  
 ↓ ↓ ↓  
 Shank MAX Tapping Length



HSK SHANK TAPPING CHUCK HOLDER

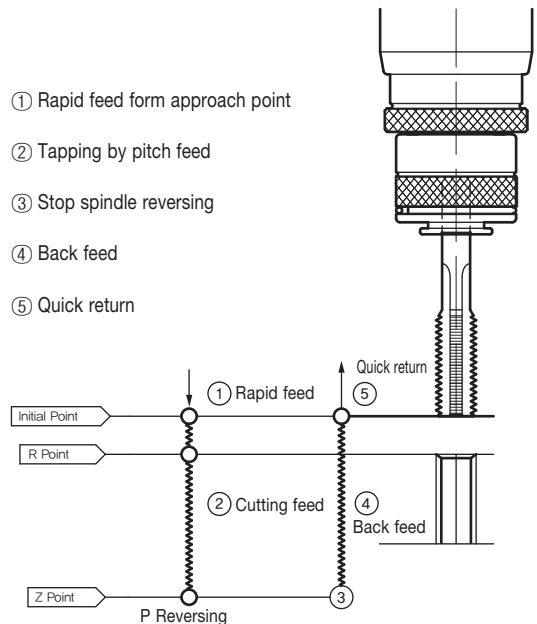
## PRODUCT INFORMATION

- 플로팅 타입으로 인장수축 장치 내장
- 공구교환이 빠르고 편리함
- 관통구멍과 막힌구멍의 tapping 및 모든 tap 작업 가능
- The tapping chuck is equipped with tension system by floating type.
- Easy and quick tool exchange.
- It is possible for tapping operation of blind hole and through hole.

Code No.	$\phi d$	$\phi D$	L	$\phi C$	L1		Weight (kg)
					Min	Max	
HSK 63A - TCH12 - 150	19	44	125	35	6	12	3,3
TCH22 - 190	31	63	155	52	10	15	5,1
HSK100A - TCH12 - 160	19	44	135	35	6	12	4,5
TCH22 - 200	31	63	165	52	10	15	6,1
TCH36 - 300	48	67	255	83	15	20	11,3

▶ 적용 탭콜릿은 P137 ▶ Private tap collets are referred. P137

- ① Rapid feed form approach point
- ② Tapping by pitch feed
- ③ Stop spindle reversing
- ④ Back feed
- ⑤ Quick return



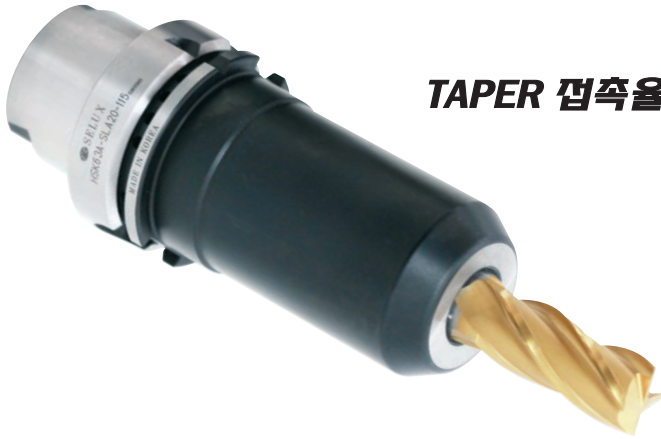
# SIDE LOCK HOLDER

Coolant-through hole  
Clamping Range :  $\phi 6.0 \sim \phi 42.0$

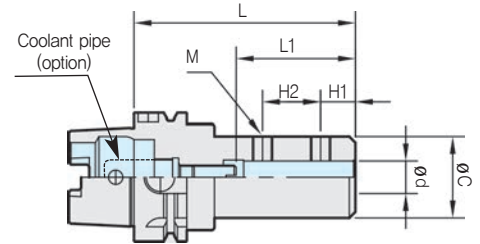
CODE No.

HSK63A SLA32 125

Shank Chucking Dia Length



**TAPER 접촉을 80% 이상 진동없음.**



## PRODUCT INFORMATION

■ Drill, endmill, 기타(small chuck, special tool)등을 사용할 수 있습니다. ■ SIDE LOCK HOLDER can use tool holder for drill, endmill, etc.

Code No.	$\phi d$	L	$\phi C$	L1		H1	H2	M	Weight (kg)
				Min	Max				
HSK63A - SLA 6 - 75	6	75	25	20	35	18	-	M 5	1.0
SLA 8 - 80	8	80	28	25	40			M 6	1.2
SLA10 - 90	10	90	35	35	50	14	13	M 8	1.2
SLA12 - 90	12		40				16		
SLA14 - 105	14	105	42	50	65	20	20	M12	1.4
SLA16 - 105	16		44						
SLA20 - 115	20	115	50	55	68	25	25	M14	1.7
SLA25 - 115	25		52						
SLA32 - 125	32	125	63	65	80	25	25	M16	2.2
SLA40 - 125	40		73						
SLA42 - 125	42								2.6
HSK100A - SLA 6 - 80	6	80	25	20	35	18	-	M 5	3.1
SLA 8 - 85	8	85	28	25	40			M 6	3.1
SLA10 - 95	10	95	35	35	50	14	13	M 8	3.3
SLA12 - 95	12		40				16		
SLA14 - 110	14	110	42	50	65	20	20	M12	3.5
SLA16 - 110	16		44						
SLA20 - 120	20	120	50	60	75	25	25	M14	3.8
SLA25 - 120	25		52						
SLA32 - 125	32	125	63	65	80	25	25	M16	4.0
SLA40 - 135	40		75						
SLA42 - 135	42								4.5

▶ 사이드락홀더 스페어 파트는 P60  
▶ 내부급유 쿨런트 파이프는 P94

▶ The spare parts for SIDE LOCK HOLDER are referred. P60  
▶ The Coolant pipe are referred. P94

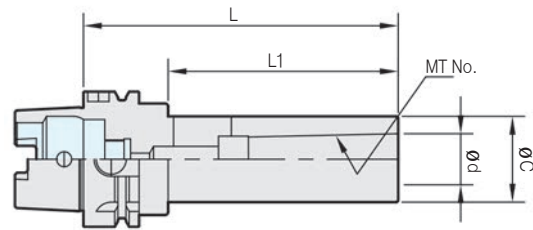
# MORSE TAPER HOLDER

■ for Morse taper shank with tang.



CODE No.  
**HSK63A** | **MTA1** | **120**  
 ↓ Morse Taper No.      ↓ Length  
 Shank

**TAPER 접촉을 80% 이상 진동없음.**



## PRODUCT INFORMATION

■ Drill reamer, 기타(MT Shank type tool)등을 사용할 수 있습니다.

■ MORSE TAPER HOLDER can use tool holder for drill, reamer, etc.

Code No.	Ød	MT No.	ØC	L	L1	Weight (kg)
HSK 63A - MTA1 - 120	12,065	1	25	120	78	1,5
MTA2 - 135	17,780	2	32	135	93	1,5
MTA3 - 150	23,825	3	40	150	108	1,6
MTA4 - 165	31,267	4	50	165	123	1,8
HSK100A - MTA1 - 120	12,065	1	25	120	75	2,0
MTA2 - 135	17,780	2	32	135	90	2,0
MTA3 - 155	23,825	3	40	155	110	2,1
MTA4 - 180	31,267	4	50	180	135	2,4
MTA5 - 220	44,399	5	65	220	175	2,9

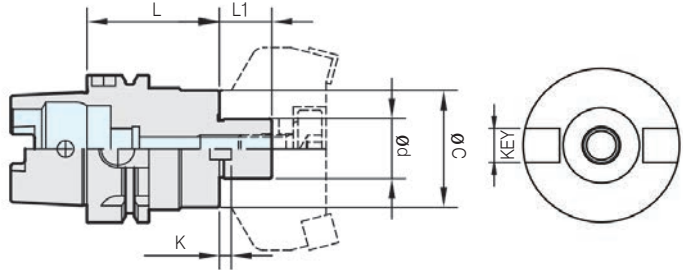
## Drill Dia and Shank

Shank		MT1	MT2	MT3	MT4	MT5
Drill dia	Min	3,0	14,5	23,5	32,0	51,0
	Max	14,0	23,0	31,5	50,0	76,0

# FACE MILL ARBOR



CODE No.  
**HSK63A** **FMA25.4** **60**  
 Shank Cutter Type Length



## PRODUCT INFORMATION

- JIS B4113 face milling용입니다.
- For face-milling cutter conforming to JIS B4113.

### FMA Type

Code No.	ød	Cutter Dia	L	øC	L1	Key	K	Weight (kg)
HSK 63A - FMA25.4 - 60	25.4	80	60	50	22	K 9,5-L	5	1,0
FMA31,75 - 65	31,75	100	65	60	30	K12,7-L	7	1,3
FMA38,1 - 70	38,1	125	70	80	34	K15,87-L	9	1,7
HSK100A - FMA25.4 - 60	25,4	80	60	50	22	K 9,5-L	5	2,4
FMA31,75 - 65	31,75	100	65	60	30	K12,7-L	7	3,0
FMA38,1 - 75	38,1	125	75	80	34	K15,87-L	9	3,9
FMA50,8 - 80	50,8	160	80	100	36	K19-L	10	4,3
FMA47,625 - 95	47,625	200	95	128	38	K25,4	12,5	4,8

### FMC Type

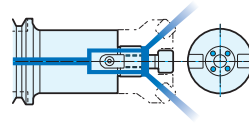
Code No.	ød	Cutter Dia	L	øC	L1	Key	K	Weight (kg)
HSK 63A - FMC16 - 55	16	40	55	38	17	K8-L	5	1,2
FMC22 - 60	22	50,63	60	45	18	K10-L	5,5	1,2
FMC27 - 65	27	63,80	65	60	20	K12-L	6	1,4
FMC32 - 75	32	100	75	85	22	K14-L	7	2,0
HSK100A - FMC22 - 60	22	50,63	60	45	18	K10-L	5,5	2,5
FMC27 - 65	27	63,80	65	60	20	K12-L	6	2,8
FMC32 - 75	32	100	75	85	22	K14-L	7	3,0

▶ 페이스밀아바 스페어 파트는 P71

▶ The spare parts for FACE MILL ARBOR are refered. P71



# FACE MILL ARBOR



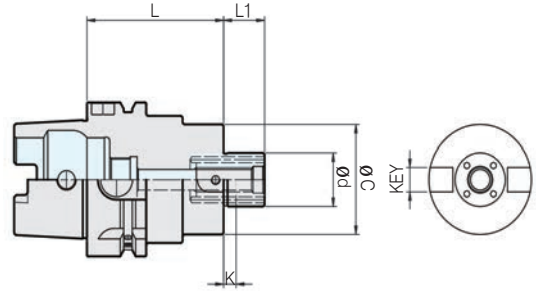
CODE No.

**HSK63A** **FMH22** **60**

Shank

Cutter Type

Length



## PRODUCT INFORMATION

- 콜러트 컷터 전용
- Only use coolant cutter.
- 컷터 가공성 향상 공구사용시간 증가
- Improve tool life and cutting operation

Code No.	ød	øC	L	L1	K	KEY	Weight (kg)
HSK40A - FMH22 - 50	22	45	50	18	5,5	K10-L	0,6
FMH25,4 - 50	25,4	50	50	22	5	K9,5-L	0,6
HSK50A - FMH22 - 60	22	45	60	18	5,5	K10-L	1,0
FMH25,4 - 60	25,4	50	60	22	5	K9,5-L	1,1
HSK63A - FMH22 - 60	22	45	60	18	5,5	K10-L	1,3
FMH25,4 - 60	25,4	50	60	22	5	K9,5-L	1,3
FMH27 - 65	27	60	65	20	6	K12-L	1,4
FMH31,75 - 65	31,75	60	65	30	7	K12,7-L	1,5
HSK100A - FMH22 - 60	22	45	60	18	5,5	K10-L	2,9
FMH27 - 65	27	60	65	20	6	K12-L	3,2
FMH32 - 75	32	85	75	22	7	K14-L	3,8
FMH25,4 - 60	25,4	50	60	22	5	K9,5-L	3,2
FMH31,75 - 65	31,75	60	65	30	7	K12,7-L	3,6
FMH38,1 - 75	38,1	80	75	34	9	K15,87-L	4,5

- ▶ FMH 클램프볼트 및 부품은 일반 FMA, FMC 아바와 호환합니다.
- ▶ 페이스밀아바 스페어 파트는 P71
- ▶ 내부급유 콜러트 파이프는 P94

- ▶ FMH clamp bolt and other parts is compatible with FACE MILL ARBOR FMA, FMC.
- ▶ The spare parts for FACE MILL ARBOR are referred. P71
- ▶ The Coolant pipe are referred. P94

## CENTER THROUGH COOLANT PIPE

Taper	Code No.	Wrench
HSK 40	HSK 40-CP	HSK 40-CPW
HSK 50	HSK 50-CP	HSK 50-CPW
HSK 63	HSK 63-CP	HSK 63-CPW
HSK100	HSK100-CP	HSK100-CPW



Excellent Precision  
Excellent Quality

**SELUX**  
NC TOOLING SYSTEM

**SK**

**CHUCK & Item**

HYDRAULIC CHUCK  
MILLING CHUCK  
SHRINK FIT HOLDER  
SSK COLLET CHUCK  
ER COLLET CHUCK  
NC DRILL CHUCK  
TAPPING CHUCK HOLDER  
JACOBS TAPER ARBOR  
SIDE LOCK HOLDER  
PRO MILL ARBOR  
PRO MILL CUTTER (BALL TYPE)  
MORSE TAPER HOLDER  
FACE MILL ARBOR



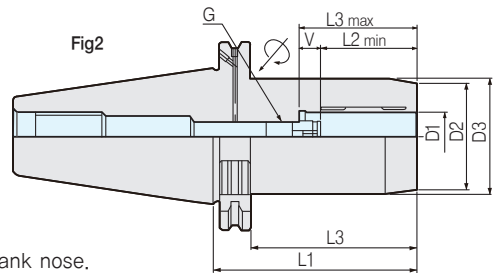
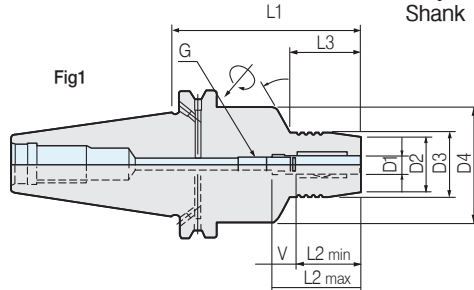
# HYDRAULIC CHUCK

Coolant-through hole

Clamping Range :  $\varnothing 3.0 \sim \varnothing 32.0$

CODE No.

**SK40** **SHC20** **110**  
 Shank Chucking Dia Length



## PRODUCT INFORMATION

- 4D 선단에서 3 $\mu$ m이내의 흔들림정도
- 높은 정밀도와 고속가공에 최적화
- 유압방식의 강력한 파지력
- 렌치 하나로 쉽게 공구고정
- 3 $\mu$ m(T.I.R) Run-out at 4D away from shank nose.
- The optimal chucuk for excellent accuracy and high speed operation.
- Powerful clamping force of hydraulic type.
- Easy clamping with just one wrench.

CODE NO.	D1	D2	D3	D4	L1	L2min	L2max	V	L3	G	Type	Weight (kg)	
SK40 - SHC 6 - 80,5	6	25	28	50	80,5	27,5	37,5	10	44	M5X0,8	Fig1	1,4	
- 110					110							2,0	
SHC 8 - 80,5	8	27	30		80,5	32,5	42,5			48		M6X1,0	1,4
- 110					110								2,0
SHC 10 - 80,5	10	29	32		80,5	37,5	47,5			30		M8X1,0	1,5
- 110					110								2,1
SHC 12 - 80,5	12	31	34		80,5	42,5	52,5			48		M8X1,0	1,5
- 110					110								2,1
SHC 14 - 80,5	14	33	36		80,5	51,0	61,0			26		M16X1,0	1,5
- 110					110								2,1
SHC 16 - 80,5	16	35	38	80,5	55,0	65,0	48	M8X1,0	1,5				
- 110				110					2,1				
SHC 18 - 80,5	18	38	41	80,5	80		48	M8X1,0	1,5				
- 110				110					2,1				
SHC 20 - 80,5	20	40	43	80,5			48	M8X1,0	1,5				
- 110				110					2,1				
SHC 25 - 80,5	25	53	57	66			85,9	M16X1,0	Fig2	1,9			
- 110				80						110	120,9	6,2	
SHC 32 - 80,5	32	63	63	80,5			95,9	M16X1,0	Fig2	2,0			
- 110				110						120,9	5,2		
SK50 - SHC 6 - 90	6	25	28	50	90	27,5	37,5	10	44	M5X0,8	Fig1	3,9	
- 140					140							4,5	
SHC 8 - 90	8	27	30		90	32,5	42,5			48		M6X1,0	3,9
- 140					140								4,5
SHC 10 - 90	10	29	32		90	37,5	47,5			48		M6X1,0	3,9
- 140					140								4,5
SHC 12 - 90	12	31	34		90	42,5	52,5			48		M6X1,0	4,0
- 140					140								4,6
SHC 14 - 90	14	33	36		90	51,0	61,0			48		M8X1,0	4,0
- 140					140								4,6
SHC 16 - 90	16	35	38	90	55,0	65,0	48	M8X1,0	4,1				
- 140				140					4,7				
SHC 18 - 90	18	38	41	90			48	M8X1,0	4,1				
- 140				140					4,7				
SHC 20 - 80,5	20	40	43	80,5			44	M8X1,0	4,1				
- 90				110					4,2				
- 110	140	4,7											
- 140	140	5,5											
SHC 25 - 105	25	53	57	105	51,0	61,0	85,9	M16X1,0	Fig2	5,0			
- 140				140						120,9	6,2		
SHC 32 - 115	32	58	63	115	55,0	65,0	95,9	M16X1,0	Fig2	5,2			
- 140				140						120,9	6,4		

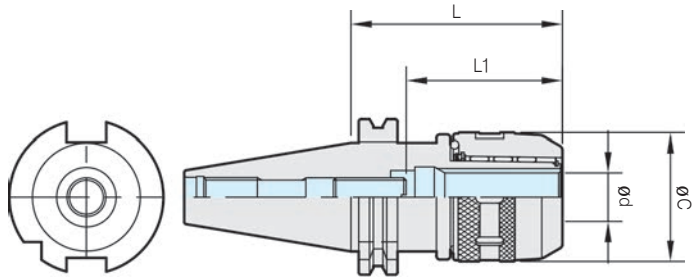
# MILLING CHUCK



Coolant-through hole  
Clamping Range :  $\phi 3.0 \sim \phi 42.0$

CODE No.

**SK40** **MC32** **95**  
Shank      Chucking Dia      Length



## PRODUCT INFORMATION

- 높은 정밀도
- 3.5D 선단에서 5 $\mu$ m 이내의 흔들림정도
- 간편한 척킹 시스템
- Taper 접촉 80% 이상 Taper공차 AT3로 보증
- 완전한 단면 밀착으로 강력 절삭
- 4배열 Roller System 방식으로 강력한 파지력

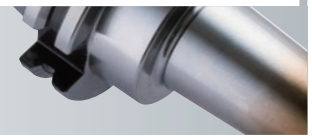
- Excellent Run-out Accuracy.
- 5 $\mu$ m(T.I.R) Run-out at 3,5D away from shank nose.
- Easy chucking system.
- More than 80% taper contact, we guarantee taper tolerance AT3.
- The strongest cutting power due to perfect face contact construction.
- Powerful clamping force by 4 needle roller system.

Code No.	$\phi d$	L	$\phi C$	L1	Collet	Weight (kg)
<b>SK40 - MC20 - 90</b>	20	90	53	82	K20	2,0
- 105		105		95		2,0
- 120		120		105		2,2
<b>MC32 - 95</b>	32	95	72	85	K32	2,9
- 105		105		95		3,0
- 120		120		105		3,2
<b>SK50 - MC20 - 105</b>	20	105	53	105	K20	4,6
- 135		135		105		4,8
- 165		165		105		5,0
<b>MC32 - 105</b>	32	105	72	110	K32	5,5
- 135		135		125		5,8
- 165		165		125		6,5
<b>MC42 - 105</b>	42	105	94	120	K42	5,9
- 135		135		130		6,5
- 165		165		135		7,8

- ▶ 고속 밸런스 작업시 추가 비용이 청구됩니다.
- ▶ 밀링척은 콜릿을 사용하여 다양한 Shank의 공구들을 체결할 수 있습니다.
- ▶ 밀링척 전용 콜릿은 P134~P136
- ▶ 밀링척 스페너는 별도 판매품 입니다. P149

- ▶ Extra charge for high speed balance.
- ▶ MILLING CHUCK is possible to use cutting tools of a various shank with COLLET.
- ▶ K-COLLET are refered. P134~P136
- ▶ Spanner is ordered separately. P149

# SHRINK FIT HOLDER

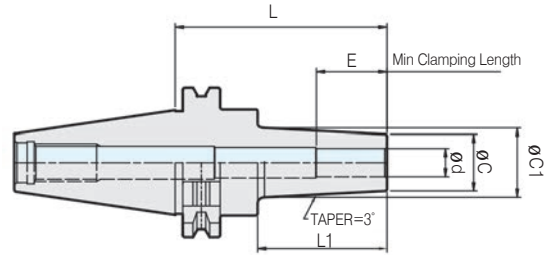


Coolant-through hole  
Clamping Range :  $\phi 3.0 \sim \phi 20.0$

CODE No.

SK40 | SSF10 | 120  
Shank | Chucking Dia | Length

MAX  
25,000  
min<sup>-1</sup>



## PRODUCT INFORMATION

- 4D선단에서 3 $\mu$ m이내의 흔들림 정도
- 높은 정밀도와 강력한 파지력
- 대칭적, 슬림한 디자인으로 가공최적화
- 전제품 내부급유 (Coolant Through Hole)
- 3 $\mu$ m(T.I.R) Run-out at 4D away from shank nose.
- Excellent Run-out accuracy and powerful clamping.
- Optimal operation with slim and symmetrical design.
- All products can be used for center through coolant type.

Code No.	$\phi d$	$\phi C$	$\phi C1$	L	L1	E	Weight (kg)
SK40 - SSF 4 - 90	4	10	26	90	37	12	1.0
SSF 6 - 90			20		60		1.1
- 160			21		130		1.2
SSF 8 - 90	8	18	24	90	60	24	1.2
- 160			32	160	130		1.4
SSF10 - 90			28	90	60		30
-160	36	160	130	1.4			
SSF12 - 90	30	90	60	34	1.3		
- 160	38	160	130		1.5		
SSF16 - 90	34	90	60		40	1.4	
- 160	42	160	130	1.6			
SSF20 - 90	40	90	60	18		1.5	
- 160	48	160	130		1.8		
SK50 - SSF 6 - 100	6	14	20		100	130	24
- 160			26	160	70	4.2	
SSF 8 - 100			24	100	59	30	
- 160	30	160	119	4.3			
SSF10 - 100	28	100	59	34	3.9		
- 160	34	160	119		4.5		
SSF12 - 100	30	100	59		40	4.0	
- 160	36	160	119	4.6			
SSF16 - 100	34	100	59	18		4.0	
- 160	40	160	119		4.8		
SSF20 - 100	46	100	59		24	4.2	
-160	53	160	119	5.0			

- ▶ 열박음홀더 사용시 절삭공구 Shank경은 h6의 제품을 사용해 주십시오.
- ▶ 절삭공구는 초경 Shank만 대응합니다. (하이스 제품 사용금지)

- ▶ 열박음홀더 사용시 지정된 고주파 히팅기를 사용해서 절삭공구 체결을 권장합니다.
- ▶ SELUX 고주파 히팅기는 P145
- ▶ 절삭공구 최소 삽입길이를 준수해 주시기 바랍니다.
- ▶ 공구길이조정 Stopper는 별도 판매 입니다. P145
- ▶ 열박음홀더 사용시 오일홀 풀스터드 볼트를 권장합니다.
- ▶ 열박음척 사용시 척 내경에 있는 방청유를 제거후에 사용하셔야 합니다. 내구성 저하 원인이 됩니다.

- ▶ Please use only carbide cutting tools of a shank tolerance within H6.
- ▶ Please use only carbide cutting tools for shrink fit holder. (Prohibit use HSS CUTTING TOOLS)
- ▶ We recommend shrink fit equipment when you use shrink fit holder.
- ▶ SELUX shrink fit equipment is refered. P145
- ▶ Please follow minimum insertion length of the cutting tools.
- ▶ Stopper for adjusting cutting tool length order separately. P145
- ▶ We recommend oil hole Pull stud bolt for shrink fit holder.
- ▶ Please clean the shank outside and inside of shrink fit before use. If you don't clean the shrink fit, it has problem about Run-out and toolife.

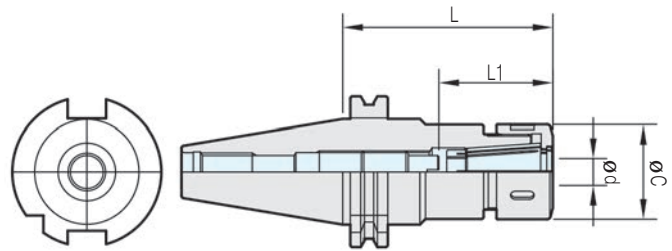
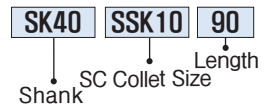


# SSK COLLET CHUCK



**Coolant-through hole**  
Clamping Range :  $\phi 1.0 \sim \phi 25.4$

CODE No.



## PRODUCT INFORMATION

- 8° Taper 의 강력한 파지력
- 높은 정밀도와 빠른 가공에 적합
- 드릴, 센터드릴, 엔드밀, 탭, 리머용으로 사용
- Powerful clamping force of 8° taper.
- Excellent Run-out Accuracy.
- SSK COLLET CHUCK is suitable for a various operation using drill, endmill, tap and reamer.

Code No.	$\phi d$	L	$\phi C$	L1		Collet	Weight (kg)
				Min	Max		
SK40 - SSK 6 - 60	0,9-6,0	60	19,5	19	34	SC6	1,0
- 90		90					1,1
- 120		120					1,2
SSK10 - 60	1,75-10,0	60	27,5	30	50	SC10	1,2
- 90		90					1,5
- 120		120					1,8
- 150		150					2,0
SSK13 - 75	2,75-13,0	75	33	36	60	SC13	1,9
- 90		90					1,4
- 120		120					1,8
- 150		150					2,1
SSK16 - 75	2,75-16,0	75	40	45	70	SC16	1,3
- 90		90					1,4
- 120		120					1,8
- 150		150					2,1
SSK20 - 90	3,6-20,0	90	48	50	75	SC20	1,4
- 120		120					2,0
- 150		150					2,5
SSK25 - 90	15,6-25,4	90	55	55	85	SC25	1,4
- 120		120					2,0
- 150		150					2,5
SK50 - SSK 6 - 105	0,9-6,0	105	19,5	21	32	SC6	3,8
- 135		135					4,0
- 165		165					4,2
SSK10 - 105	1,75-10,0	105	27,5	30	50	SC10	3,9
- 135		135					4,3
- 165		165					4,6
SSK13 - 105	2,75-13,0	105	33	36	60	SC13	4,0
- 135		135					4,4
- 165		165					4,6
SSK16 - 105	2,75-16,0	105	40	40	70	SC16	4,2
- 135		135					4,6
- 165		165					4,8
SSK20 - 105	3,6-20,0	105	48	50	75	SC20	4,5
- 135		135					4,7
- 165		165					4,9
SSK25 - 105	15,6-25,4	105	55	55	85	SC25	4,6
- 135		135					4,8
- 165		165					5,0

SK SHANK SSK COLLET CHUCK

# ER COLLET CHUCK

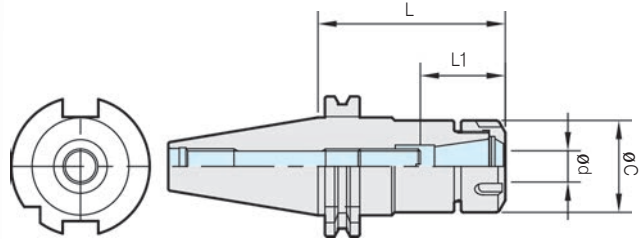


Coolant-through hole  
Clamping Range :  $\phi 0.5 \sim \phi 26.0$

CODE No.  

SK50	ER32	105
------	------	-----

  
 ↓ ER Collet Size Length  
 Shank



## PRODUCT INFORMATION

머시닝 센터의 기본 홀더입니다.

- 나사연마
- 공구 착탈이 용이
- Balanced/balanceable type도 주문 제작합니다.
- Coolant through type 사용할 경우
  - 1.방수형 Collet나 방수형 Nut을 사용
  - 2.Adjustable screw를 Coolant through type으로 교환.

Basic Holder of Machining Center

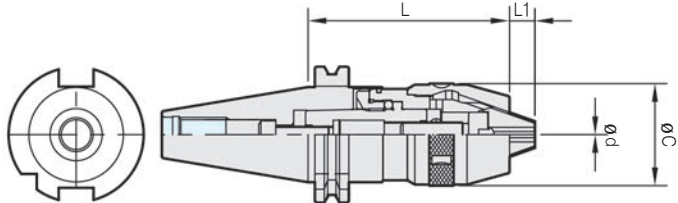
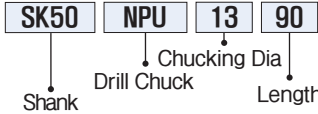
- Thread grinded.
- Convenient tool change.(chucking/unchucking)
- Balanced and balanceable type can be ordered.
- In case of using coolant through type.
  - 1.Must be using coolant through type collet and nut.
  - 2.Replacing coolant through type adjustable screw.

Code No.	ød	L	øC	L1		Collet	Weight (kg)
				Min	Max		
SK40 - ER11 - 60	0.5~7.0	60	19	19	34	ER11	0.8
- 90		90					1.1
- 120		120					1.2
ER16 - 60	0.5~10.0	60	28	23	43	ER16	1.0
- 90		90					1.2
- 120		120					1.4
- 150		150					1.8
ER20 - 75	1.0~13.0	75	35	25	48	ER20	1.0
- 90		90					1.2
- 120		120					1.4
- 150		150					1.8
ER25 - 75	1.0~16.0	75	42	34	54	ER25	1.0
- 90		90					1.2
- 120		120					1.6
- 150		150					1.9
ER32 - 90	2.0~20.0	90	50	40	60	ER32	1.4
- 120		120					1.8
- 150		150					2.1
ER40 - 90	3.0~26.0	90	63	50	80	ER40	1.6
- 120		120					1.9
- 150		150					2.2
SK50 - ER11 - 75	0.5~7.0	75	19	19	34	ER11	3.5
- 105		105					3.7
- 135		135					3.9
ER16 - 75	0.5~10.0	75	28	23	43	ER16	3.6
- 105		105					3.8
- 135		135					4.1
- 165		165					4.3
ER20 - 75	1.0~13.0	75	35	25	48	ER20	3.6
- 105		105					3.8
- 135		135					4.1
- 165		165					4.2
ER25 - 75	1.0~16.0	75	42	34	54	ER25	3.7
- 105		105					3.9
- 135		135					4.1
- 165		165					4.4
ER32 - 90	2.0~20.0	90	50	40	60	ER32	3.9
- 105		105					4.3
- 135		135					4.9
- 165		165					5.0
ER40 - 90	3.0~26.0	90	63	50	80	ER40	4.0
- 105		105					4.6
- 135		135					5.2
- 165		165					6.0

# NC DRILL CHUCK

Clamping Range :  $\phi 0.5 \sim \phi 13.0$

CODE No.



## PRODUCT INFORMATION

머시닝 센터의 일반적인 드릴링 공구입니다. **General Drillings for Machining Centers**

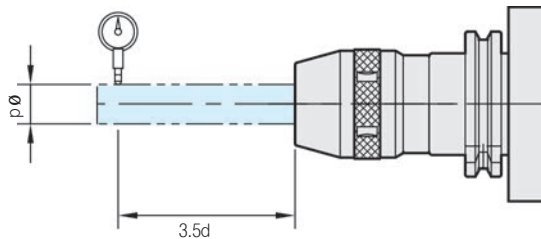
- 척과 샹크가 일체형 구조로 길이가 짧음
- 가공정도 향상과 우수한 내구성
- 척의 탈락이 없고 주축 정지시 풀리지 않음
- Unified body of chuck and shank reduces the length of tool.
- Improved operation accuracy and excellent rigidity
- The drillchuck is never detached from holder and is not released when the operation is stop.

Code No.	$\phi d$	L	$\phi C$	L1	Weight (kg)
SK40 - NPU 8 - 80	0.3~8.0	80	36	8.5	2.0
		105			2.4
NPU 13 - 105	1.0~13.0	105	48	11.5	2.4
		130			2.8
		175			3.3
SK50 - NPU 8 - 80	0.3~8.0	80	36	8.5	5.0
		105			5.8
		170			6.5
NPU 13 - 90	1.0~13.0	90	48	11.5	5.6
		130			7.0
		190			7.8

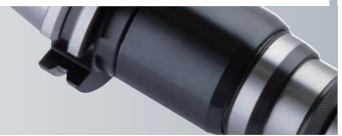
- ▶ 초경 드릴, 탭은 절대 사용을 금지해 주십시오.
- ▶ 절삭공구 최소 척킹 길이를 준수해 주시기 바랍니다.  
NPU8-20mm이상  
NPU13-30mm이상
- ▶ 스페너는 별매입니다. **P149**
- ▶ Please Prohibit use CARBIDE DRILL and CARBIDE TAP.
- ▶ Please follow minimum length of cutting tools.  
NPU8 : more 20mm  
NPU13 : more 30mm
- ▶ Spanner is ordered separately. **P149**

## Runout Accuracy

- ▶ 0.040 이하의 흔들림 정도.
- ▶ 40 $\mu$ m (T.I.R)Runout at 3.5D Away form shank nose.



# TAPPING CHUCK HOLDER

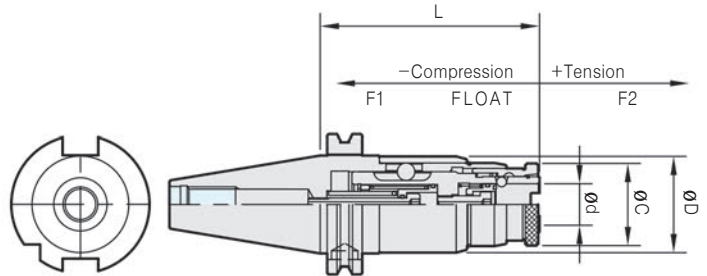


Tapping Range : M3 ~ M36

CODE No.

**SK50** | **TCH22** | **165**

MAX Tapping Length  
Shank



## PRODUCT INFORMATION

- 플로팅 타입으로 인장수축 장치 내장
- 공구교환이 빠르고 편리함
- 관통구멍과 막힌구멍의 tapping 및 모든 tap 작업 가능

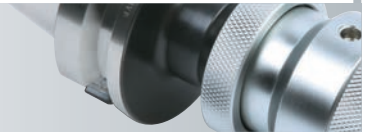
- The tapping chuck is equipped with tension system by floating type.
- Easy and quick tool exchange.
- It is possible for tapping operation of blind hole and through hole.

Code No.	ød	øD	L	øC	Float		Weight (kg)
					F1	F2	
SK40 - TCH12 - 120	19	44	95	35	6	12	1.8
TCH22 - 165	31	61	132	52	10	15	3.0
SK50 - TCH12 - 135	19	44	110	35	6	12	4.4
- 165			140				4.7
TCH22 - 165	31	61	132	52	10	15	5.0
- 195			162				5.5
TCH36 - 240	48	88	192	83	15	20	8.2

▶ 적용 탭콜릿은 P137 ▶ Private tap collets are referred. P137

SK SHANK  
TAPPING CHUCK HOLDER / JACOBS TAPER ARBOR

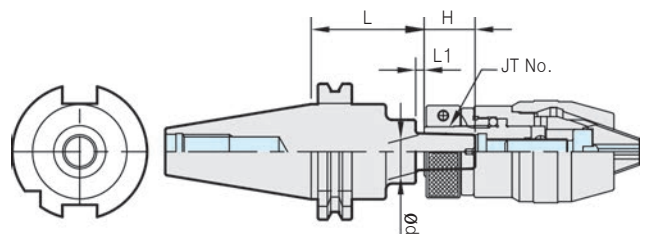
# JACOBS TAPER ARBOR



CODE No.

**SK50** | **JTA6** | **45**

Jacobs No. Length  
Shank



## PRODUCT INFORMATION

- Drill chuck은 포함되어 있지 않습니다. ■ Drill chuck is not included.

Code No.	ød	JT No.	L	L1	H	Weight (kg)
SK40 - JTA2 - 45	14,119	2	45	4	20	1.1
- 90			90			1.4
JTA6 - 45	17,170	6	45	4	24	1.1
- 90			90			1.4
SK50 - JTA2 - 45	14,119	2	45	4	20	4.0
- 105			105			4.4
JTA6 - 45	17,170	6	45	4	24	4.0
- 105			105			4.4

# SIDE LOCK HOLDER



Coolant-through hole  
Clamping Range :  $\phi 6.0 \sim \phi 42.0$

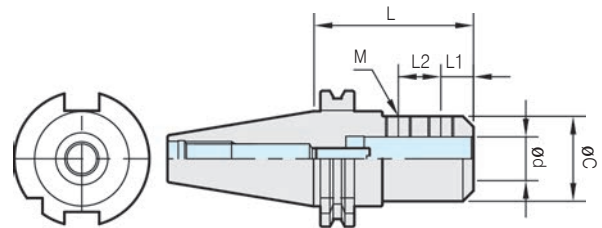
CODE No.  

SK50	SLA32	105
------	-------	-----

  
 ↓ Chucking Dia Length  
 Shank



**TAPER 접촉을 80% 이상 진동없음.**



## PRODUCT INFORMATION

- 각종 드릴, 엔드밀, 기타 스페셜 공구를 끼워 사용.
- 연결하여 사용 가능한 공구
  - 1.ST-ER, ST-SSK, ST-FMA(FMC), ST-SCA 등
  - 2.ST-TCH
- Special도 제작가능 합니다.(flange type)
- Side lock holder can be using as a tool holder. (drill, endmill, special tool, etc)
- The following tools to suit side lock holder are available.
  - 1.Straight collet chuck shank.
  - 2.Straight tapping chuck shank.
- Special type can be ordered.(flange type)

Code No.	$\phi d$	L	$\phi C$	L1	L2	M	Weight (kg)		
SK40 - SLA 6 - 75	6	75	25	18	-	M 6	1.1		
SLA 8 - 75	8		28			M 8	1.1		
SLA10 - 75	10		35			M10	1.2		
SLA12 - 75	12		42			M12	1.4		
SLA16 - 75	16		48			M14	1.5		
SLA20 - 75	20		52			M16	1.8		
SLA25 - 105	25	105	63	24	25	M18	1.9		
SLA32 - 105	32		72		28	M20	2.0		
SK50 - SLA 6 - 90	6		90		25	18	-	M 6	3.7
SLA 8 - 90	8				28			M 8	3.9
SLA10 - 90	10	35		M10	4.0				
SLA12 - 90	12	42		M12	4.1				
SLA16 - 90	16	48		M14	4.3				
SLA20 - 90	20	52		M16	4.5				
- 105		105		24	25	M18	4.8		
SLA25 - 105	25		65			4.8			
SLA32 - 105	32		72			4.8			
SLA40 - 105	40		80		28	M20	4.9		
SLA42 - 105	42		82			M20	5.0		

▶ 사이드락홀더 스페어 파트는 P60

▶ The spare parts for SIDE LOCK HOLDER are referred. P60



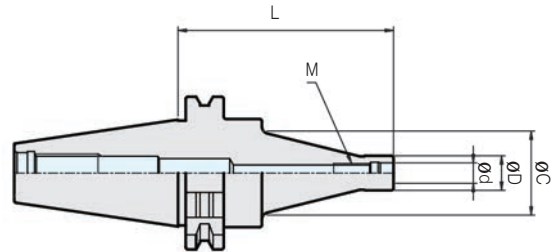
# PRO MILL ARBOR



CODE No.

**SK50** **M06** **135**

Shank Cutter Type Length

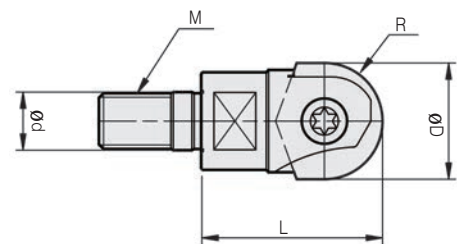


## PRODUCT INFORMATION

- 모듈라 방식으로 원가 절감
- 높은 정밀도
- 이면구속 체결로 흔들림 감소
- 헤드 교체로 다양한 작업가능
- Cost reduction effect with modular system.
- Excellent accuracy.
- Vibration damping effect due to dual face contact.
- A various operation with exchanging head.

Code No.	ød	L	øD	øC	M	Weight (kg)	
SK40 - M06 - 90	6,5	90	10	40	M6	1,2	
		120				1,5	
M08 - 90	8,5	90	14,4		M8	1,2	
		120				1,5	
M10 - 90	10,5	90	18		M10	1,3	
		120				1,5	
M12 - 120	12,5	120	22,5		M12	1,9	
		150				1,5	
SK50 - M06 - 135	6,5	135	65		M6	4,2	
		165				4,9	
M08 - 135	8,5	135			14,4	M8	4,2
		165					4,9
M10 - 135	10,5	135		18	M10	4,2	
		165				4,9	
M12 - 135	12,5	135		22,5	M12	4,2	
		165				4,9	

# PRO MILL CUTTER(Ball Type)



## PRODUCT INFORMATION

- HITACHI 인서트 호환
- 정삭 R작업 최적화
- Compatible with HITACHI insert.
- Optimal for R-finishing operation.

Code No.	R	øD	L	ød	M	Insert	Screw	Wrench
R05M0630	5	10	30	6,5	M6	ZPFG100, ZCFW100	TNS-5842	TXL-10
R06M0630	6	12				ZPFG120, ZCFW120	TNS-5843	TXL-20
R08M0830	8	16	35	10,5	M10	ZPFG160, ZCFW160	TNS-5844	TXL-25
R10M1035	10	20				ZPFG200, ZCFW200	TNS-5845	
R12M1240	12,5	25	40	12,5	M12	ZPFG250, ZCFW250	TNS-5846	TXL-30

▶ 다양한 Type의 컷터 제작가능합니다.  
▶ 전용 spanner는 별매.

▶ Cutters can be made of a variety of Type.  
▶ Spanner is ordered separately.

# MORES TAPER HOLDER

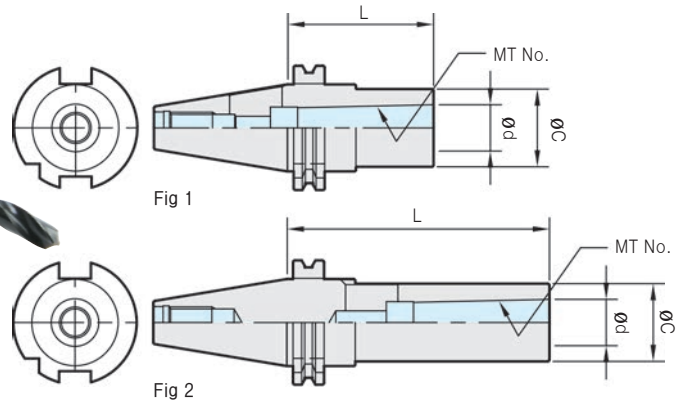
□ For morse taper shank with tang



CODE No.

**SK40** **MTA1** **45**

Shank Morse taper No. Length



**TAPER 접촉을 80% 이상 진동없음.**

## PRODUCT INFORMATION

■ Drill, reamer, 기타(MT Shank type tool)등을 사용 할 수 있습니다.

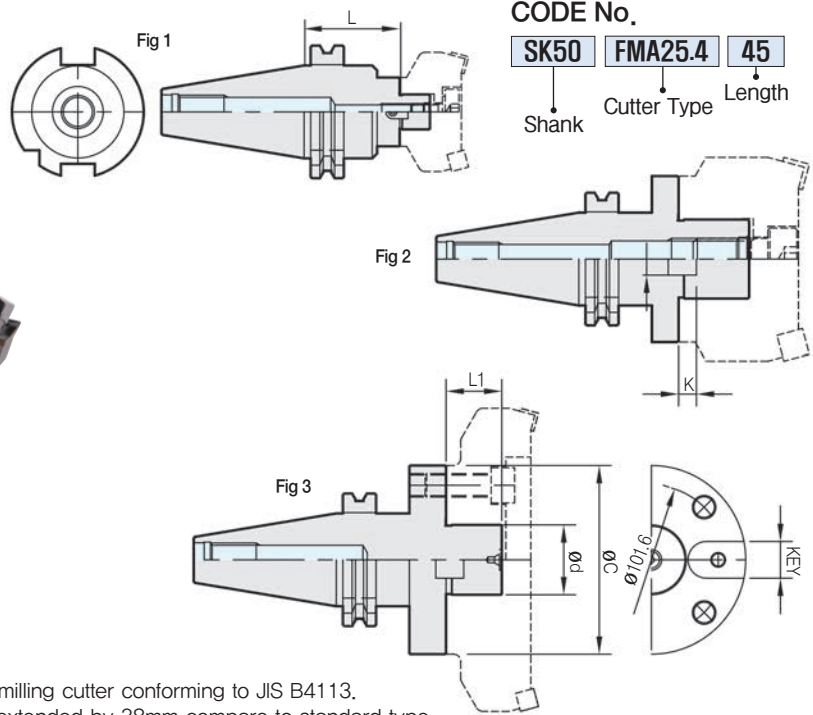
■ MORSE TAPER HOLDER can use tool holder for drill, reamer, etc.

Code No.	ød	MT No.	L	øC	Fig	Weight (kg)
SK40 - MTA1 - 45	12,065	1	45	25	1	1.1
- 120			120		2	1.3
MTA2 - 60	17,780	2	60	32	1	1.1
- 120			120		2	1.4
MTA3 - 75	23,825	3	75	40	1	1.2
- 135			135		2	1.7
MTA4 - 95	31,267	4	95	50	1	1.4
- 165			165		2	2.4
SK50 - MTA1 - 45	12,065	1	45	25	1	3.9
- 120			120		2	4.2
- 180			180			4.3
MTA2 - 45	17,780	2	45	32	1	3.9
- 135			135		2	4.3
- 180			180			4.6
MTA3 - 45	23,825	3	45	40	1	3.8
- 150			150		2	4.6
- 180			180			4.9
MTA4 - 75	31,267	4	75	50	1	3.9
- 180			180		2	5.4
MTA5 - 105	44,399	5	105	65	1	4.5
- 210			210		2	7.2

## Drill Dia and Shank

Shank		MT1	MT2	MT3	MT4	MT5
Drill dia	Min	3.0	14.5	23.5	32.0	51.0
	Max	14.0	23.0	31.5	50.0	76.0

# FACE MILL ARBOR



CODE No.

**SK50** **FMA25.4** **45**  
 Shank Cutter Type Length

## PRODUCT INFORMATION

- JIS B4113 face milling용 입니다.
- For face-milling cutter conforming to JIS B4113.
- (S)Type은 표준길이(+38mm)
- S type is extended by 38mm compare to standard type.

### FMA Type

Code No.	$\phi d$	Cutter Dia	L	$\phi C$	L1	Key	K	Fig	Weight (kg)
SK40 - FMA25.4 - 45	25.4	80	45	50	22	K9,5-L	5	1	1.5
- 90			90						2.2
FMA31.75 - 45	31.75	100	45	60	30	K12,7-L	7	1	1.6
- 75			75						2.3
FMA38.1 - 60	38.1	125	60	80	34	K15,87-L	9	2	2.9
SK50 - FMA25.4 - 45	25.4	80	45	50	22	K9,5-L	5	1	3.8
- 90			90						4.5
-150			150						5.5
FMA31.75 - 45	31.75	100	45	60	30	K12,7-L	7	1	4.6
- 75			75						5.2
-105			105						6.0
FMA38.1 - 45	38.1	125	45	80	34	K15,87-L	9	2	4.3
- 75			75						5.5
FMA50.8 - 45	50.8	160	45	100	36	K19,05-L	10	2	4.8
- 75			75						6.8
FMA47.625 - 75	47.625	200	75	128	38	K25.4	12.5	3	7.6

### FMC Type

Code No.	$\phi d$	Cutter Dia	L	$\phi C$	L1	Key	K	Fig	Weight (kg)
SK40 - FMC22 - 45	22	50/63	45	45	18	K10-L	5.5	1	1.9
FMC27 - 50	27	63/80	50	60	20	K12-L	6	2	2.0
FMC32 - 60	32	100	60	85	22	K14-L	7		2.2
SK50 - FMC22 - 50	22	50/63	50	45	18	K10-L	5.5	1	3.6
FMC27 - 60	27	63/80	60	60	20	K12-L	6		4.1
FMC32 - 60	32	100		85	22	K14-L	7	2	5.5

▶ 페이스밀아바 스페어 파트는 P71

▶ The spare parts for FACE MILL ARBOR are referred. P71

Excellent Precision  
Excellent Quality

**SELUX**  
NC TOOLING SYSTEM

# NT/MT

## CHUCK & Item

NT MILLING CHUCK  
MILLING CHUCK SET (NT TYPE)  
MT MILLING CHUCK (TANG)  
MT MILLING CHUCK (SCREW)  
ER COLLET CHUCK  
MT ER COLLET CHUCK(TANG)  
MT ER COLLET CHUCK(SCREW)  
MT SIDE LOCK HOLDER (TANG)  
FACE MILL ARBOR



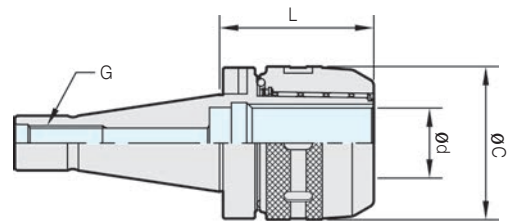
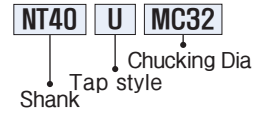


# NT MILLING CHUCK



Clamping Range :  $\phi 3.0 \sim \phi 42.0$

CODE No.



## PRODUCT INFORMATION

- 간편한 척킹 시스템
- 완전한 단면 밀착으로 강력 절삭
- 4배열 Roller System 방식으로 강력한 파지력
- Easy chucking system.
- The strongest cutting power due to perfect face contact construction.
- Powerful clamping force by 4 needle roller system.

Code No.	ϕC	L	ϕd	G		Collet	Weight (kg)
				UNC	M		
NT30U(M) - MC20	53	70	20	U1/2-13	M12	K20	1.6
	62	75	25			K25	1.8
	72	95	32			K32	2.0
NT40U(M) - MC20	53	70	20	U5/8-11	M16	K20	2.2
	62	70	25			K25	2.4
	72	75	32			K32	2.9
NT50U(M) - MC25	62	70	25	U1" -8	M24	K25	5.0
	72	90	32			K32	5.5
	94	90	42			K42	6.0

- ▶ 밀링척은 콜릿을 사용하여 다양한 Shank의 공구들을 체결할 수 있습니다. ▶ MILLING CHUCK is possible to use cutting tools of a various shank with COLLET.
- ▶ 밀링척 전용 콜릿은 P134~P136 ▶ K-COLLET are referred. P134~P136
- ▶ 밀링척 스패너는 별도 판매품 입니다. P149 ▶ Spanner is ordered separately. P149

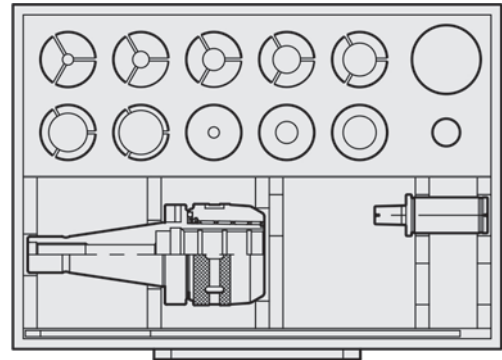
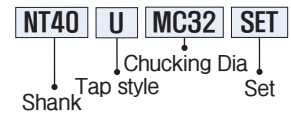
NT/MT SHANK  
NT MILLING CHUCK



# MILLING CHUCK SET (NT TYPE)






Clamping Range :  $\phi 3.0 \sim \phi 42.0$

CODE No.



## PRODUCT INFORMATION

- 간편한 척킹 시스템
- 완전한 단면 밀착으로 강력 절삭
- 4배열 Roller System 방식으로 강력한 파지력
- Easy chucking system.
- The strongest cutting power due to perfect face contact construction.
- Powerful clamping force by 4 needle roller system.

Code No.	SET CONTENTS				
	Body	K-Collet	MT Collet	JT Collet	Spanner
					
NT40U - MC20,SET	NT40U - MC20	K20 - 6,8,10,12,16	K20 - MT1,MT2	K20 - JT6	MC20 - SP
- MC25,SET	NT40U - MC25	K25 - 6,8,10,12,16,20	K25 - MT1,MT2	K25 - JT6	MC25 - SP
- MC32,SET	NT40U - MC32	K32 - 6, 8, 10, 12,16,20,25	K32 - MT1,MT2,MT3	K32 - JT6	MC32 - SP
NT50U - MC32,SET	NT50U - MC32	K32 - 6, 8, 10, 12,16,20,25	K32 - MT1,MT2,MT3	K32 - JT6	MC32 - SP
- MC42,SET	NT50U - MC42	K42 - 6,8,10,12,16, 20, 25, 32	K42 - MT1,MT2,MT3,MT4	K42 - JT6	MC42 - SP

▶ 포장용 나무케이스는 별도로 판매하지 않습니다.

▶ You can not order only wooden case for set.

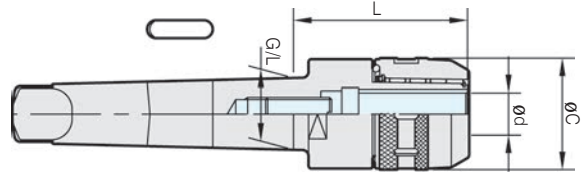
# MT MILLING CHUCK (TANG)



Clamping Range :  $\phi 3.0 \sim \phi 42.0$

CODE No.

**MT6T** **MC32**  
 ↓  
 Chucking Dia  
 Shank



## PRODUCT INFORMATION

- 간편한 척킹 시스템
- 완전한 단면 밀착으로 강력 절삭
- 4배열 Roller System 방식으로 강력한 파악력
- Easy chucking system.
- The strongest cutting power due to perfect face contact construction.
- Powerful clamping force by 4 needle roller system.

Code No.	$\phi d$	G/L	L	$\phi C$	Collet
MT4T - MC20(I)	20	31,267	80	53	K20, NC20
- MC32(T)	32		90	72	K32, NC32
MT5T - MC32(I)	32	44,399	90	74	K32, NC32
- MC32(T)					
- MC32(D)					
MT6T - MC42(I)	42	63,348	98	94	K42, NC42
- MC42(T)					
- MC42(D)					
- MC42(W)					

- ▶ Special size도 주문 제작합니다.
- ▶ 주문시 장비에 cotter pin 사양을 꼭 확인해서 주문 해 주십시오. P156
- ▶ Special size can be ordered.
- ▶ Cotter pin size check. P156

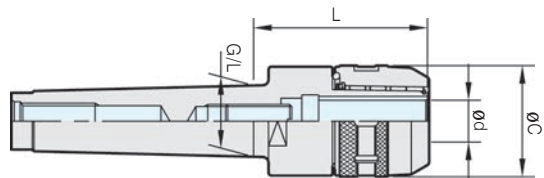
# MT MILLING CHUCK (SCREW)



Clamping Range :  $\phi 3.0 \sim \phi 32.0$

CODE No.

**MT5S** **MC20**  
 ↓  
 Chucking Dia  
 Shank



## PRODUCT INFORMATION

- 간편한 척킹 시스템
- 완전한 단면 밀착으로 강력 절삭
- 4배열 Roller System 방식으로 강력한 파악력
- Easy chucking system.
- The strongest cutting power due to perfect face contact construction.
- Powerful clamping force by 4 needle roller system.

Code No.	$\phi d$	G/L	L	$\phi C$	Collet
MT3S - MC20	20	23,825	85	53	K20, NC20
MT4S - MC20	32	31,267	80	72	K32, NC32
- MC32			90	53	K20, NC20
MT5S - MC20	20	44,399	80	74	K32, NC32
- MC32	32		90		

- ▶ Special size도 주문 제작합니다.
- ▶ Special size can be ordered.

NT/MT SHANK  
MT MILLING CHUCK (TANG) / (SCREW)

# ER COLLET CHUCK

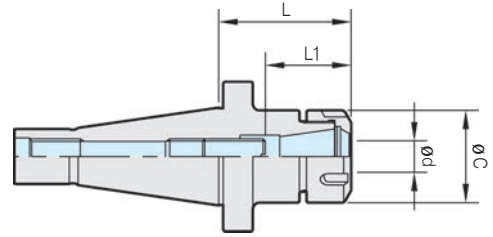
Clamping Range :  $\phi 0.5 \sim \phi 26.0$

CODE No.

**NT40** **ER32** **60**  
 ↓ Length  
 ↓ ER Collet Size  
 Shank



레디알 밀링에서 작업가능!!



## PRODUCT INFORMATION

- 안정적인 정밀도와 파지력
- Reliably accuracy and Powerful clamping force.
- 쉽고빠른 공구교환
- Easy and quick tool exchange.
- 드릴, 엔드밀, 탭 다양한 사용범위
- ER COLLET CHUCK is suitable for a various operation using drill, endmill, tap.

Code No.	$\phi d$	L	$\phi C$	L1		Collet
				Min	Max	
NT40 - ER16 - 40	0.5~10.0	40	28	23	43	ER16
ER20 - 40	1.0~13.0		35	25	48	ER20
ER25 - 50	1.0~16.0	50	42	34	54	ER25
ER32 - 60	2.0~20.0	60	50	40	60	ER32
ER40 - 80	3.0~26.0	80	63	50	80	ER40
NT50 - ER16 - 40	0.5~10.0	40	28	23	43	ER16
ER20 - 40	1.0~13.0		35	25	18	ER20
ER25 - 50	1.0~16.0	50	42	34	54	ER25
ER32 - 60	2.0~20.0	60	50	40	60	ER32
ER40 - 60	3.0~26.0		63	50	80	ER40

- ▶ ER콜릿은 P140~P141
- ▶ 스패너는 별매입니다. P149
- ▶ ER척 스페어 파트는 P53
- ▶ ER COLLET is refered. P140 ~ P141
- ▶ Spanner is ordered separately. P149
- ▶ The spare parts for ER CHCUK are refered. P53

# MT ER COLLET CHUCK (TANG)

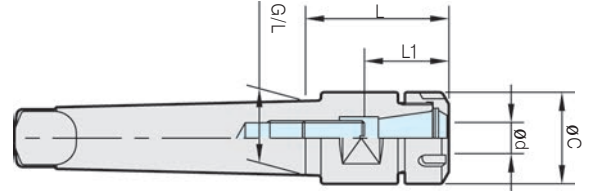


Clamping Range :  $\phi 0.5 \sim \phi 26.0$



CODE No.

**MT5** **T** **ER32** **60**  
 Shank Tang ER Collet Size Length



## PRODUCT INFORMATION

- 안정적인 정밀도와 파지력
- Reliable accuracy and Powerful clamping force.
- 쉽고빠른 공구교환
- Easy and quick tool exchange.
- 드릴, 엔드밀, 탭 다양한 사용범위
- ER COLLET CHUCK is suitable for a various operation using drill, endmill, tap.

Code No.	ød	L	øC	L1		Collet	Weight (kg)
				Min	Max		
MT1T - ER11 - 40	0,5 ~ 7,0	40	19	19	34	ER11	0,3
MT2T - ER11 - 40	0,5 ~ 7,0	40	19	19	34	ER11	0,4
ER16 - 50	0,5 ~ 10,0	50	28	23	43	ER16	0,4
MT3T - ER16 - 40	0,5 ~ 10,0	40	28	19	43	ER16	0,5
ER20 - 50	1,0 ~ 13,0	50	35	25	48	ER20	0,5
MT4T - ER16 - 40	0,5 ~ 10,0	40	28	23	43	ER16	0,9
ER20 - 55	1,0 ~ 13,0	55	35	25	48	ER20	1,0
ER25 - 55	1,0 ~ 16,0		42	34	54	ER25	1,1
ER32 - 60	2,0 ~ 20,0	60	50	40	60	ER32	1,3
MT5T - ER20 - 50	1,0 ~ 13,0	50	35	25	48	ER20	2,0
ER25 - 60	1,0 ~ 16,0	60	42	34	54	ER25	2,1
ER32 - 60	2,0 ~ 20,0		50	40	60	ER32	2,2
ER40 - 70	3,0 ~ 26,0	70	63	50	80	ER40	2,4

- ▶ ER콜릿은 P140~P141
- ▶ 스페너는 별매입니다. P149
- ▶ ER적 스페어 파트는 P53
- ▶ ER COLLET is refered. P140 ~ P141
- ▶ Spanner is ordered separately. P149
- ▶ The spare parts for ER CHCUK are refered. P53

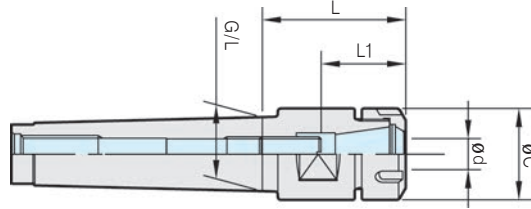
NT/MT SHANK MT ER COLLET CHUCK (TANG)

# MT ER COLLET CHUCK (SCREW)

Clamping Range :  $\varnothing 0.5 \sim \varnothing 26.0$

CODE No.

<b>MT5</b>	<b>S</b>	<b>ER20</b>	<b>50</b>
Shank	Screw	ER Collet Size	Length



## PRODUCT INFORMATION

- 안정적인 정밀도와 파지력
- Reliably accuracy and Powerful clamping force.
- 쉽고빠른 공구교환
- Easy and quick tool exchange.
- 드릴, 엔드밀, 탭 다양한 사용범위
- ER COLLET CHUCK is suitable for a various operation using drill, endmill, tap.

Code No.	$\varnothing d$	L	$\varnothing C$	L1		Collet	Weight (kg)
				Min	Max		
MT1S - ER11 - 40	0.5 ~ 7.0	40	19	19	34	ER11	0.3
MT2S - ER11 - 40	0.5 ~ 7.0	40	19	19	34	ER11	0.4
ER16 - 50	0.5 ~ 10.0	50	28	23	43	ER16	0.4
MT3S - ER16 - 40	0.5 ~ 10.0	40	28	23	43	ER16	0.5
ER20 - 50	1.0 ~ 13.0	50	35	25	48	ER20	0.5
MT4S - ER16 - 40	0.5 ~ 10.0	40	28	23	43	ER16	0.9
ER20 - 55	1.0 ~ 13.0	55	35	25	48	ER20	1.0
ER25 - 55	1.0 ~ 16.0		42	34	54	ER25	1.1
ER32 - 60	2.0 ~ 20.0	60	50	40	60	ER32	1.3
MT5S - ER20 - 50	1.0 ~ 13.0	60	35	25	48	ER20	2.0
ER25 - 60	1.0 ~ 16.0		42	34	54	ER25	2.1
ER32 - 60	2.0 ~ 20.0		50	40	60	ER32	2.2
ER40 - 70	3.0 ~ 26.0	70	63	50	80	ER40	2.4

- ▶ ER콜릿은 P140~P141
- ▶ 스페너는 별매입니다. P149
- ▶ ER척 스페어 파트는 P53

- ▶ ER COLLET is referred. P140 ~ P141
- ▶ Spanner is ordered separately. P149
- ▶ The spare parts for ER CHCUK are referred. P53



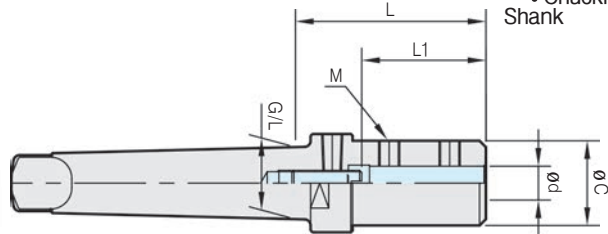
# MT SIDE LOCK HOLDER (TANG)



Clamping Range :  $\varnothing 20.0 \sim \varnothing 50.0$

CODE No.

**MT5** **SLA32** **105**  
 ↓ ↓ ↓  
 Chucking Dia Length  
 Shank



## PRODUCT INFORMATION

■ 드릴, 엔드밀 기타(Small chuck, Special tool)을 사용할 수 있습니다.

■ SIDE LOCK HOLDER can use tool holder for drill, endmill, etc.

Code No.	ød	G/L	L	øC	L1		M
					Min	Max	
MT4 - SLA20 - 90	20	31,267	90	50	60	75	M14
SLA25 - 90	25			52			
SLA32 - 105	32			65			
MT5 - SLA20 - 90	20	44,399	90	50	60	80	M14
SLA25 - 105	25			52			
SLA32 - 105	32			65			
SLA40 - 120	40	44,399	120	75	60	80	M18
SLA42 - 120	42			80			
MT6 - SLA25 - 105	25			63,348	105	52	
SLA32 - 105	32	65	M16				
SLA40 - 120	40	75	M18				
SLA42 - 120	42	80					
SLA50 - 120	50	90					

▶ 사이드락홀더 스페어 파트는 P60

▶ The spare parts for SIDE LOCK HOLDER are referred. P60

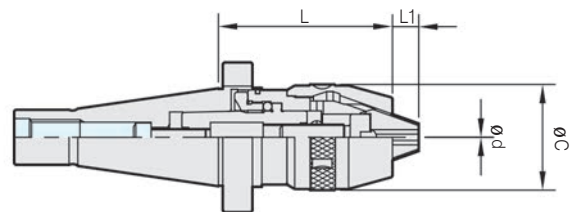
# NC DRILL CHUCK



Clamping Range :  $\varnothing 0.5 \sim \varnothing 13.0$

CODE No.

**NT40** **NPU13** **90**  
 ↓ ↓ ↓  
 Chucking Dia Length  
 Shank



Code No.	ød	L	øC	L1	Weight (kg)
NT40U - NPU 8 - 70	0.3~8.0	70	38	8.5	1.4
NPU13 - 90	1.0~13.0	90	50	11.5	2.3
NT50U - NPU13 - 90	1.0~13.0	90	50	11.5	4.3

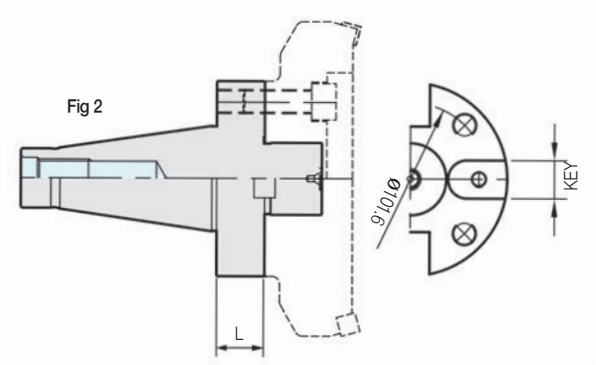
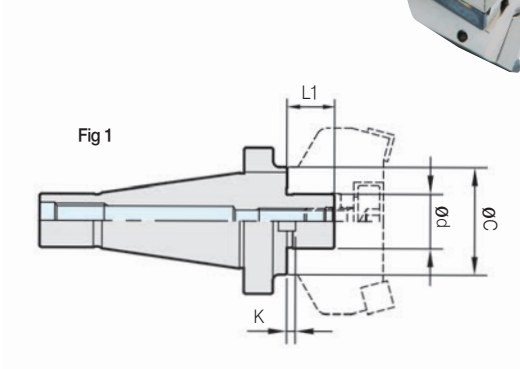
- ▶ 초경 드릴, 탭은 절대 사용을 금지해 주십시오.
- ▶ 절삭공구 최소 척킹 길이를 준수해 주시기 바랍니다.  
 NPU8-20mm이상  
 NPU13-30mm이상
- ▶ 스페너는 별매입니다. P149

- ▶ Please Prohibit use CARBIDE DRILL and CARBIDE TAP.
- ▶ Please follow minimum length of cutting tools.  
 NPU8 : more 20mm,  
 NPU13 : more 30mm.
- ▶ Spanner is ordered separately. P149

# FACE MILL ARBOR

CODE No.

**NT40** **U** **FMA25.4**  
 ↓ Tap style ↓ Cutter Type  
 Shank



## PRODUCT INFORMATION

■ JIS B4113 Face Milling용 입니다. ■ For face-milling cutter conforming to JIS B4113.

Code No.	ød	Cutter Dia	L	øC	L1	Key	K	Fig	Weight (kg)
NT40U - FMA25.4 (3R)	25.4	80	25	50	22	K9.5-S	5	1	1.2
FMA31.75 (4R)	31.75	100		60	30	K12.7-S	7	1	1.4
FMA38.1 (5R)	38.1	125		80	34	K15.87-S	9	1	2.0
FMA50.8 (6R)	50.8	160		98	36	K19-S	10	1	2.9
NT50U - FMA25.4 (3R)	25.4	80		30	50	22	K9.5-S	5	1
FMA31.75 (4R)	31.75	100	60		30	K12.7-S	7	1	4.0
FMA38.1 (5R)	38.1	125	80		34	K15.87-S	9	1	4.4
FMA50.8 (6R)	50.8	160	98		36	K19-S	10	1	4.6
FMA47.625(8R)	47.625	200	128		38	K25.4-S	12.5	2	6.0

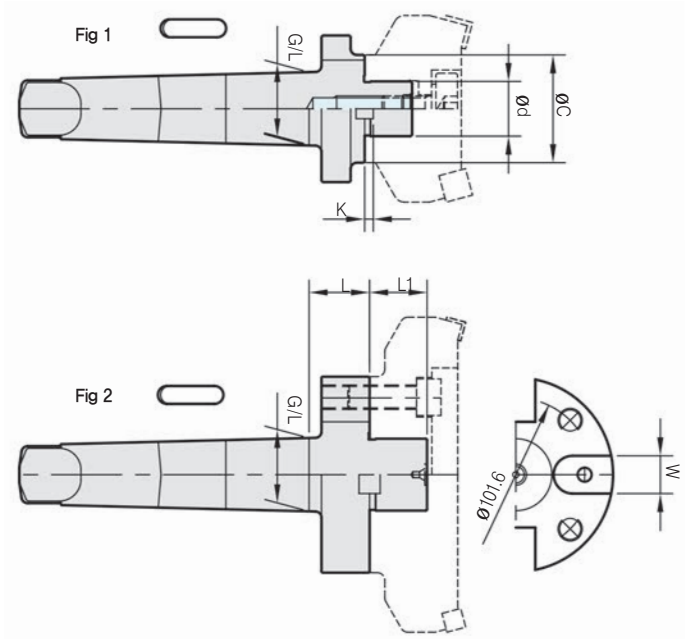
▶ 페이스밀아바 스페어 파트는 P71

▶ The spare parts for FACE MILL ARBOR are referred. P71

# MT FACE MILL ARBOR

CODE No.

**MT5** **T** **FMA25.4**  
 ↓ Tang Cutter Type  
 ↓ Shank



## PRODUCT INFORMATION

- JIS B4113 Face Milling용 입니다.
- Cotter pin : 156page 참조.
- 대형 Endmill이나 Tapping등의 중절삭 가공시 추력의 발생으로 Tool의 빠짐을 Cotter pin을 박음으로 방지할 수 있음.
- 장비 업체에 따라 Cotter pin 구멍이 다르므로 기계 회사명 및 A, B, L 치수를 알려주십시오.

- For face-milling cutter conforming to JIS B4113.
- Cotter pin : see 156page.
- Mounting cotter pin can protect the tools drap, such as big endmill or tap due to occurring thrust in heavy duty.
- Cotter pin types are different according to machine manufacturer, please point out machine manufacturer and the size of "A", "B", "L", when you order.

Code No.	ød	Cutter Dia	L	øC	L1	Key	K	Fig
MT5T - FMA25.4 (3R)	25.4	80	30	50	22	K9.5 - L	5	1
FMA31.75 (4R)	31.75	100		60	30	K12.7 - L	7	
FMA38.1 (5R)	38.1	125		80	34	K15.87 - L	9	
FMA50.8 (6R)	50.8	160	45	98	36	K19 - L	10	1
MT6T - FMA25.4 (3R)	25.4	80	30	50	22	K9.5 - L	5	
FMA31.75 (4R)	31.75	100		60	30	K12.7 - L	7	
FMA38.1 (5R)	38.1	125		80	34	K15.87 - L	9	
FMA50.8 (6R)	50.8	160	45	98	36	K19 - L	10	2
FMA47.625(8R)	47.625	200		128	38	K25.4	12.5	

▶ 페이스밀아바 스페어 파트는 P71

▶ The spare parts for FACE MILL ARBOR are refered. P71

NT/MT SHANK MT FACE MILL ARBOR

Excellent Precision  
Excellent Quality

**SELUX**  
NC TOOLING SYSTEM

# ST

**CHUCK & Item**

- STRAIGHT SSK COLLET CHUCK (MILLING)
- STRAIGHT SSK COLLET CHUCK (CNC)
- SHRINK FIT HOLDER
- STRAIGHT ER COLLET CHUCK (MILLING)
- STRAIGHT ER COLLET CHUCK (CNC)
- STRAIGHT SLIM ER COLLET CHUCK (MILLING)
- GYRO CHUCK
- STRAIGHT NC DRILL CHUCK
- STRAIGHT TAPPING CHUCK
- FLOATING ER TAP CHUCK
- STRAIGHT FACE MILL ARBOR
- ST PRO MILL ARBOR (CARBIDE)
- ST PRO MILL CUTTER (BALL TYPE)





# STRAIGHT SSK COLLET CHUCK (MILLING)

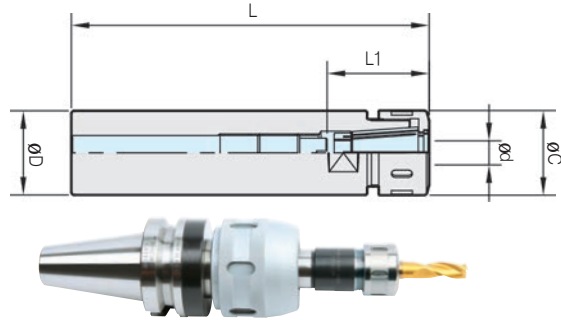
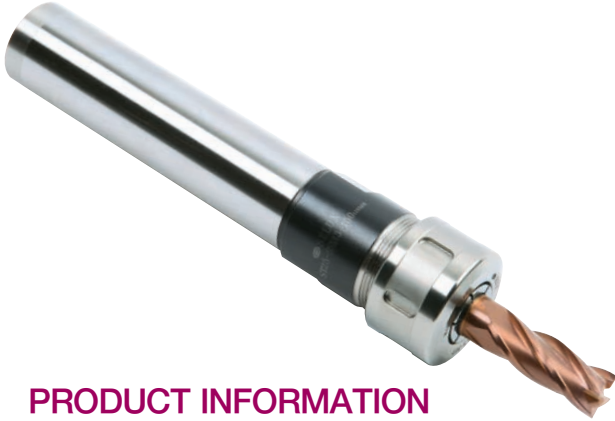


Coolant-through hole  
Clamping Range :  $\varnothing 1.0 \sim \varnothing 25.4$

CODE No.  

ST42	SSK16	165
------	-------	-----

  
 Shank      SC Collet Size      Length



## PRODUCT INFORMATION

- 8° Taper 의 강력한 파지력
- 높은 정밀도와 빠른 가공에 적합
- 드릴, 센터드릴, 엔드밀, 탭, 리머용으로 사용

- Powerful clamping force of 8° taper.
- Excellent Run-out Accuracy.
- SSK COLLET CHUCK is suitable for a various operation using drill, endmill, tap and reamer.

Code No.	ød	øD	L	øC	L1		Collet	Weight (kg)
					Min	Max		
ST20 - SSK 6 - 120	0.9~6.0	20	120	19.5	21	35	SC6	0.2
- 180			180					0.4
SSK10 - 140	1.75~10.0	20	140	27.5	30	50	SC10	0.3
- 200			200					0.5
SSK13 - 150	2.75~13.0	20	150	33	36	60	SC13	0.5
- 180			180					0.6
- 200			200					0.9
- 200			200					0.9
ST25 - SSK10 - 150	1.75~10.0	25	150	27.5	30	50	SC10	0.6
- 210	210		0.9					
SSK13 - 150	2.75~13.0	25	150	33	36	60	SC13	0.7
- 210			210					0.9
SSK16 - 150	2.75~16.0	25	150	40	45	70	SC16	0.8
- 200			200					1.0
ST32 - SSK10 - 150	1.75~10.0	32	150	27.5	30	50	SC10	0.7
- 200	200		1.1					
SSK13 - 150	2.75~13.0	32	150	33	36	60	SC13	0.9
- 250			250					1.2
SSK16 - 150	2.75~16.0	32	150	40	45	70	SC16	1.2
- 220			220					1.5
- 280	280	1.8						
SSK20 - 165	3.6~20.0	42	165	48	50	75	SC20	2.0
ST42 - SSK16 - 180	2.75~16.0		180					40
- 240		240	1.8					
SSK20 - 180	3.6~20.0	42	180	48	50	75	SC20	1.6
- 240			240					2.0
- 280			280					2.3
- 280			280					2.3
SSK25 - 200	15.6~25.4	42	200	55	55	85	SC25	1.8
- 250			250					2.1
- 250			250					2.1
- 300			300					2.5

- ▶ 너트, 조절나사 및 콜릿추출공구는 부속되어 있습니다.
- ▶ 스패너는 별매했습니다. P149
- ▶ Synchronized Tap 사용시 SSK10을 사용하십시오.  
Aluminum MAX Tapping M12  
Steel MAX Tapping M10  
Stainless Steel MAX Tapping M8  
위 사양 이상인경우는 Milling Chuck에 K-Collet을 사용하시길 바랍니다.
- ▶ SSK척 콜릿은 P138~P139
- ▶ 절삭공구 체결시 무리한 힘이 가해질시 너트및 홀더가 파손 될 수 있습니다.

- ▶ NUT, ADJUST SCREW, COLLET REMOVER are included.
- ▶ Spanner is ordered separately. P149
- ▶ Please use SSK10 when you use Synchronized Tap.  
Aluminum MAX Tapping M12  
Steel MAX Tapping M10  
Stainless Steel MAX Tapping M8  
If it has problem, We recommend K COLLET with Milling Chuck.
- ▶ SC COLLET is refered. P138 ~ P139
- ▶ The nut or shank of chuck can be destoried if you too strongly clamp nut and holder.

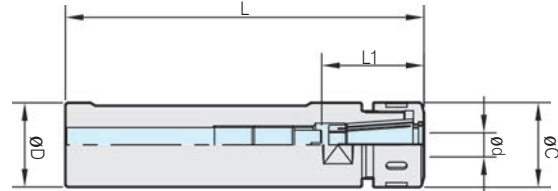


# STRAIGHT SSK COLLET CHUCK (CNC)



**Coolant-through hole**  
Clamping Range :  $\phi 1.0 \sim \phi 16.0$

CODE No.  
NC40 SSK16  
 ↓ SC Collet Size  
 Shank



## PRODUCT INFORMATION

- 8° Taper 의 강력한 파지력
- 높은 정밀도와 빠른 가공에 적합
- 드릴, 센터드릴, 엔드밀, 탭, 리머용으로 사용

- Powerful clamping force of 8° taper.
- Excellent Run-out Accuracy.
- SSK COLLET CHUCK is suitable for a various operation using drill, endmill, tap and reamer.

Code No.	$\phi d$	$\phi D$	L	$\phi C$	L1		Collet	Weight (kg)
					Min	Max		
NC25 - SSK 6	0.9~6.0	25	105	19.5	21	35	SC 6	0.3
SSK10	1.75~10.0		110	27.5	30	50	SC10	0.3
NC32 - SSK10	1.75~10.0	32	120	27.5	30	50	SC10	0.7
SSK16	2.75~16.0			40	45	70	SC16	0.8
SSK20	3.6~20.0			48	50	75	SC20	0.9
NC40 - SSK10	1.75~10.0	40	120	27.5	30	50	SC10	1.1
SSK16	2.75~16.0		130	40	45	70	SC16	1.2
SSK20	3.6~20.0			48	50	75	SC20	1.2

Type	Spare Parts			
	Basic		Option	
	Nut	Adjust Screw	Spanner	Collet
SSK 6	SCN- 6 (HEXA)	BTD0825-C	SC 6-SP	SC 6- $\phi$
SSK10	SCN-10 (HEXA)	BTD1225-C	SC10-SP	SC10- $\phi$
SSK13	SCN-13	BTD1525-C	SC13-SP	SC13- $\phi$
SSK16	SCN-16	BTD1830-C	SC16-SP	SC16- $\phi$
SSK20	SCN-20	BTD2230-C	SC20-SP	SC20- $\phi$
SSK25	SCN-25	BTD2838-C	SC25-SP	SC25- $\phi$

- ▶ 너트, 조절나사 및 콜릿추출도구는 부속되어 있습니다.
- ▶ 스패너는 별매입니다. **P149**
- ▶ Synchronized Tap 사용시 SSK10을 사용하십시오.  
 Aluminum MAX Tapping M12  
 Steel MAX Tapping M10  
 Stainless Steel MAX Tapping M8  
 위 사양 이상인경우는 Milling Chuck에 K-Collet을 사용하시길 바랍니다.
- ▶ SSK척 콜릿은 **P138~P139**
- ▶ 절삭공구 체결시 무리한 힘이 가해질시 너트 및 홀더가 파손 될 수 있습니다.
- ▶ NUT, ADJUST SCREW, COLLET REMOVER are included.
- ▶ Spanner is ordered separately. **P149**
- ▶ Please use SSK10 when you use Synchronized Tap.  
 Aluminum MAX Tapping M12  
 Steel MAX Tapping M10  
 Stainless Steel MAX Tapping M8  
 If it has problem, We recommend K COLLET with Milling Chuck.
- ▶ SC COLLET is refered. **P138 ~ P139**
- ▶ The nut or shank of chuck can be destoried if you too strongly clamp nut and holder.

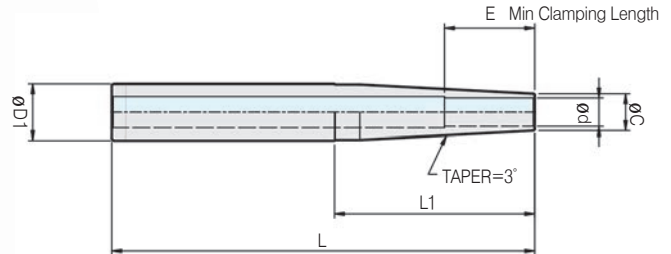
# SHRINK FIT HOLDER

Coolant-through hole

Clamping Range :  $\phi 3.0 \sim \phi 12.0$

CODE No.

ST20    SSF10    S    150  
 Shank    Chucking Dia    Shim    Length



## PRODUCT INFORMATION

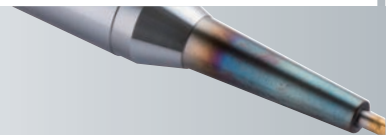
- 4D선단에서 3 $\mu$ m이내의 흔들림 정도
- 높은 정밀도와 강력한 파지력
- 대칭적, 슬림한 디자인으로 가공최적화
- 전제품 내부급유 Coolant Through Hole
- 3 $\mu$ m(T.I.R) Run-out at 4D away from shank nose.
- Excellent Run-out accuracy and powerful clamping.
- Optimal operation with slim and symmetrical design.
- All products can be used for center through coolant type.

Code No.	$\phi d$	$\phi C$	$\phi D1$	L	L1	E	Weight (kg)
ST16 - SSF 3S - 120	3	6	16	120	51	16	0.1
SSF 4S - 120	4	7					0.1
SSF 6S - 120	6	9					0.15
ST20 - SSF 3S - 150	3	6	20	150	40	16	0.25
SSF 4S - 150	4	7					0.25
SSF 6S - 150	6	9					0.25
- 200	6	9	20	200	110	26	0.3
- 250							0.4
SSF 8S - 150							8
- 200	8	11	20	200	90	26	0.3
- 250							0.4
SSF10S - 150							10
- 200	10	13	20	200	71	32	0.35
- 250							0.4
SSF12S - 150							12
- 200	12	15	20	200	52	36	0.35
- 250							0.45
- 250							0.45

- ▶ 열박음홀더 사용시 절삭공구 Shank경은 h6의 제품을 사용해 주십시오.
- ▶ 절삭공구는 초경 Shank만 대응합니다. (하이스 제품 사용금지)
- ▶ 열박음홀더 사용시 지정된 고주파 히팅기를 사용해서 절삭공구 체결을 권장합니다.
- ▶ SELUX 고주파 히팅기는 P145
- ▶ 절삭공구 최소 삽입길이를 준수해 주시기 바랍니다.
- ▶ 공구길이조정 Stopper는 별도 판매 입니다. P145
- ▶ 열박음척 사용시 척 내경에 있는 방청유를 제거후에 사용하셔야 합니다. 내구성 저하 원인이 됩니다.

- ▶ Please use only carbide cutting tools of a shank tolerance within H6 .
- ▶ Please use only carbide cutting tools for shink fit holder. (Prohibit use HSS CUTTING TOOLS)
- ▶ We recommend shrink fit equipment when you use shink fit holder.
- ▶ SELUX shrink fit equipment is refered. P145
- ▶ Please follow minimum insertion length of the cutting tools.
- ▶ Stopper for adjusting cutting tool lengh order separately. P145
- ▶ Please clean the shank outside and inside of shrink fit before use. If you don't clean the shrink fit, it has problem about Run-out and toolife.

# SHRINK FIT HOLDER

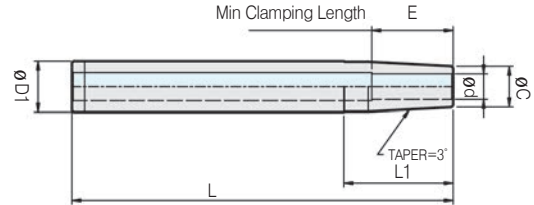


Coolant-through hole

Clamping Range :  $\phi 3.0 \sim \phi 20.0$

CODE No.

ST32    SSF10    150  
 Shank    Chucking Dia    Length



## PRODUCT INFORMATION

- 4D선단에서 3 $\mu$ m이내의 흔들림 정도
- 높은 정밀도와 강력한 파지력
- 대칭적,슬림한 디자인으로 가공최적화
- 전제품 내부급유 Coolant Through Hole
- 3 $\mu$ m(T.I.R) Run-out at 4D away from shank nose.
- Excellent Run-out accuracy and powerful clamping.
- Optimal operation with slim and symmetrical design.
- All products can be used for center through coolant type.

Code No.	$\phi d$	$\phi C$	$\phi D1$	L	L1	E	Weight (kg)
ST20 - SSF 4 - 150	4	8	20	150	40	16	0.3
SSF 6 - 150					62		0.3
- 200					100		0.35
- 250							0.4
SSF 8 - 150	8	13		150	71	26	0.3
- 200				200			0.35
- 250				250			0.4
SSF10 - 150				10			16
- 200	200	0.5					
- 250	250	0.6					
ST32 - SSF10 - 150	10	16			150	70	
- 200				200	0.8		
- 300			250	1.2			
SSF12 - 150			12	19	150		129
- 200	200	0.8					
- 300	300	1.25					
SSF16 - 150	16	24			150	83	
- 200			200	0.9			
- 300			300	1.3			
SSF20 - 150			20	28	150		50
- 200	200	0.9					
- 300	300	1.3					

- ▶ 열박음홀더 사용시 절삭공구 Shank경은 h6의 제품을 사용해 주십시오.
- ▶ 절삭공구는 초경 Shank만 대응합니다. (하이스 제품 사용금지)
- ▶ 열박음홀더 사용시 지정된 고주파 히팅기를 사용해서 절삭공구 체결을 권장합니다.
- ▶ SELUX 고주파 히팅기는 P145
- ▶ 절삭공구 최소 삽입깊이를 준수해 주시기 바랍니다.
- ▶ 공구길이조정 Stopper는 별도 판매 입니다. P145
- ▶ 열박음척 사용시 척 내경에 있는 방청유를 제거후에 사용하셔야 합니다. 내구성 저하 원인이 됩니다.

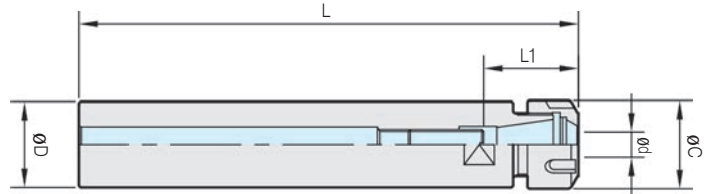
- ▶ Please use only carbide cutting tools of a shank tolerance within H6.
- ▶ Please use only carbide cutting tools for shrink fit holder. (Prohibit use HSS CUTTING TOOLS)
- ▶ We recommend shrink fit equipment when you use shrink fit holder.
- ▶ SELUX shrink fit equipment is referred. P145
- ▶ Please follow minimum insertion length of the cutting tools.
- ▶ Stopper for adjusting cutting tool length order separately. P145
- ▶ Please clean the shank outside and inside of shrink fit before use. If you don't clean the shrink fit, it has problem about Run-out and tool life.

# STRAIGHT ER COLLET CHUCK (MILLING)



**Coolant-through hole**  
Clamping Range :  $\phi 0.5 \sim \phi 20.0$

CODE No.  
**ST32** **ER20** **150**  
 ↓ ↓ ↓  
 Shank ER Collet Size Length



## PRODUCT INFORMATION

- 안정적인 정밀도와 파지력
- 쉽고빠른 공구교환
- 드릴, 엔드밀, 탭 다양한 사용범위
- Reliable accuracy and Powerful clamping force.
- Easy and quick tool exchange.
- ER COLLET CHUCK is suitable for a various operation using drill, endmill, tap.

Code No.	$\phi d$	$\phi D$	L	$\phi C$	L1		Collet	Weight (kg)
					Min	Max		
ST16 - ER11 - 120	0.5~7.0	16	120	19	19	34	ER11	0.2
ER16 - 150	0.5~10.0		150	28	23	43	ER16	0.2
ST20 - ER16 - 150	0.5~10.0	20	150	28	23	43	ER16	0.3
ER20 - 150	1.0~13.0			35	25	48	ER20	0.3
ST25 - ER16 - 150	0.5~10.0	25	150	28	23	43	ER16	0.5
ER20 - 150	1.0~13.0			35	25	48	ER20	0.5
ER25 - 150	1.0~16.0			42	34	54	ER25	0.6
ST32 - ER20 - 150	1.0~13.0	32	150	35	25	48	ER20	0.7
ER25 - 150	1.0~16.0			42	34	54	ER25	0.7
ER32 - 165	2.0~20.0		165	50	40	60	ER32	0.8
- 300		300					1.2	

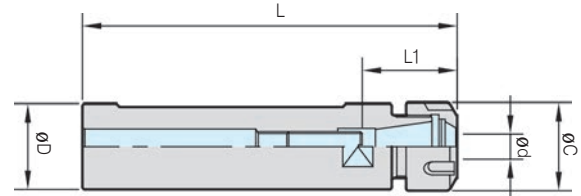
- ▶ 내부급유 사용시에는 방수형콜릿이나 방수형 너트를 사용 해주십시오.
- ▶ ER콜릿은 P140~P141
- ▶ 스페너는 별매했습니다. P149
- ▶ Please use waterproof collet and waterproof nut for operating centre through coolant type.
- ▶ ER COLLET is referred. P140 ~ P141
- ▶ Spanner is ordered separately. P149

# STRAIGHT ER COLLET CHUCK (CNC)



**Coolant-through hole**  
Clamping Range :  $\phi 0.5 \sim \phi 20.0$

CODE No.  
**NC32** **ER20**  
ER Collet Size  
Shank



## PRODUCT INFORMATION

- NC 선반, 소형 CNC 선반의 기본 Holder로써 (드릴, 센터드릴, 엔드밀, 탭, 소경 보링바, 리머)등을 사용. 특히 내경 보링바 (바이트)의 슬리브용으로 절삭 진동을 흡수하는 효과를 발휘하여 능률을 대폭 향상.
- 안정적인 정밀도와 파지력
- 쉽고빠른 공구교환
- 드릴, 엔드밀, 탭 다양한 사용범위
- Chuck is using as a tool holder(drill, center drill, endmill,tap, boring bar, reamer) for NC lathe and small CNC lathe, when it is used for sleeve of internal boring bar (bite), in particular, it is excellent increases the pro-ductivity by absorbing cutting vibration.
- Reliable accuracy and Powerful clamping force.
- Easy and quick tool exchange.
- ER COLLET CHUCK is suitable for a various operation using drill, endmill, tap.

Code No.	φd	φD	L	φC	L1		Collet	Weight (kg)
					Min	Max		
NC25 - ER11	0.5~7.0	25	100	19	19	34	ER11	0.3
ER16	0.5~10.0			28	23	43	ER16	0.5
ER20	1.0~13.0		110	35	25	48	ER20	0.5
ER25	1.0~16.0		120	42	34	54	ER25	0.6
NC32 - ER16	0.5~10.0	32	120	28	23	43	ER16	0.5
ER20	1.0~13.0			35	25	48	ER20	0.6
ER25	1.0~16.0		42	34	54	ER25	0.7	
ER32	2.0~20.0		130	50	40	60	ER32	0.8
NC40 - ER16	0.5~10.0	40	130	28	23	43	ER16	1.0
ER20	1.0~13.0			35	25	48	ER20	1.1
ER25	1.0~16.0			42	34	54	ER25	1.2
ER32	2.0~20.0			50	40	60	ER32	1.3

Spare Parts				
Type	Option			
	NUT	Adjust Screw	Spnner	ER Collet
ER11	UM/ER11(HEXA)	BTD0716-C	ER11-SP	ER11-φ
ER16	UM/ER16(HEXA)	BTD1025-C	ER16-SP	ER16-φ
ER20	UM/ER20(HEXA)	BTD1325-C	ER20-SP	ER20-φ
ER25	UX/ER25	BTD1830-C	ER25-SP	ER25-φ
ER32	UX/ER32	BTD2230-C	ER32-SP	ER32-φ
ER40	UX/ER40	BTD2838-C	ER40-SP	ER40-φ

- ▶ 내부급유 사용시에는 방수형 콜릿이나 방수형 너트를 사용 해주시시오. ▶ Please use waterproof collet and waterproof nut for operating centre through coolant type.
- ▶ ER콜릿은 P140~P141 ▶ ER COLLET is refered. P140 ~ P141
- ▶ 스페너는 별매입니다. P149 ▶ Spnner is ordered separately. P149

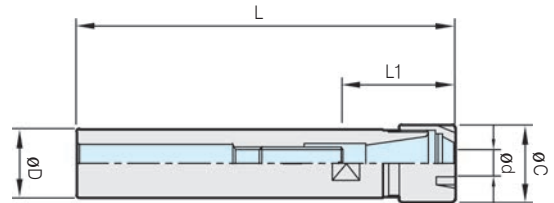


# STRAIGHT SLIM ER COLLET CHUCK (MILLING)

Coolant-through hole  
Clamping Range :  $\phi 0.5 \sim \phi 16.0$

CODE No.

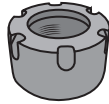

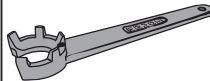

**ST25** **ER16** **M** **105**  
Shank ER Collet Size Slim Length



## PRODUCT INFORMATION

- 좁고 깊은 곳에 적합
- 뛰어난 정밀도와 파지력
- 척킹 범위  $\phi 0.5\text{mm} \sim \phi 16.0\text{mm}$
- Narrow and depth operation.
- High accuracy and powerful clamping force.
- Chucking Dia  $\phi 0.5\text{mm} \sim \phi 16.0\text{mm}$ .

Code No.	$\phi d$	$\phi D$	L	$\phi C$	L1		Collet	Weight (kg)
					Min	Max		
ST16 - ER11M - 170	0.5~7.0	16	170	16	19	34	ER11	0.2
ST20 - ER16M - 180			180					
- 250	0.5~10.0	20	250	22	23	43	ER16	0.4
ER20M - 180			180					
- 250	1.0~13.0	25	250	28	25	48	ER20	0.4
ST25 - ER16M - 180			180					
- 250	0.5~10.0	25	250	22	23	43	ER16	0.6
ER20M - 185			185					
- 250	1.0~13.0	32	250	28	25	48	ER20	0.8
ST32 - ER20M - 200			200					
- 300	1.0~13.0	32	300	28	25	48	ER20	1.3
ER25M - 200			200					
- 300	1.0~16.0	32	300	35	34	54	ER25	1.3
			300					

Type	Spare Parts			
	Basic		Option	
	NUT	Adjust Screw	Spanner	Collet
ER11M				
ER16M	SM/ER16M	BTD0716-C	ER11M-SP	ER11- $\phi$
ER20M	SM/ER16M	BTD1025-C	ER16M-SP	ER16- $\phi$
ER25M	SM/ER20M	BTD1325-C	ER20M-SP	ER20- $\phi$
	SM/ER25M	BTD1830-C	ER25M-SP	ER25- $\phi$

- ▶ ER콜릿은 P140~P141
- ▶ 스페너는 별매입니다.
- ▶ ER COLLET is referred. P140~P141
- ▶ Spanner is ordered separately.

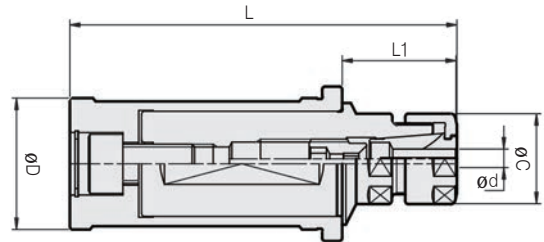
# GYRO CHUCK



Clamping Range :  $\phi 0.5 \sim \phi 16.0$

CODE No.

**ST32** **GYRO** **ER16** **135**  
 Shank ER Collet Size Length

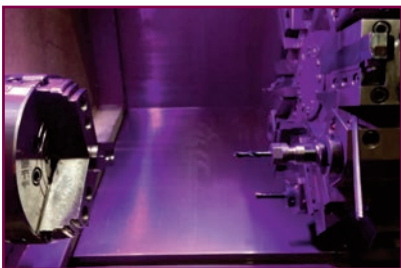


## PRODUCT INFORMATION

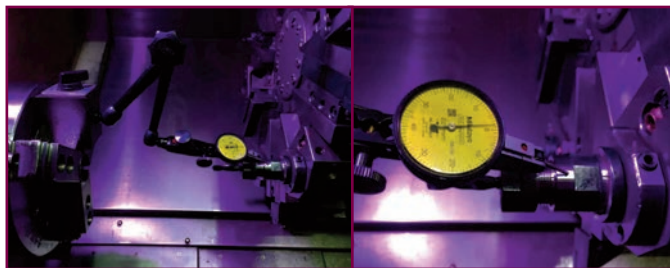
- CNC선반에서 드릴, 탭, 리머 작업시 장비의 공구편심으로 발생하는 문제를 단시간에 해결.
- GYRO척은 기존 X, Z축 터렛움직임에 Y축 미세조정을 할 수 있습니다.
- CNC선반 홀 가공에서 혁신적인 생산성 향상과 공구비용 절감효과
- 정밀한 가공으로 추가 보링작업 생략가능.
- GYRO CHUCK solve simply the chronic problems of the Cnc Lathe about eccentric cutting tool when drilling, tapping, reamer.
- GYRO CHUCK allow sensitivity adjustment of Y (includ X,Z).
- It Improves tool life and is effective the production of growth when operating hole.
- Pricision operation. (Don't need boring after drilling)

Code No.	$\phi d$	$\phi D$	L	L1	$\phi C$	Max Length.	Weight (kg)
ST32 - GYRO ER16 - 135	0,5-10,0	32	135	60	28	50	2,2
GYRO SSK10 - 135	1,75-10,0				27,5	60	2,2
ST40 - GYRO ER16 - 140	0,5-10,0	40	140	60	28	50	2,8
GYRO ER25 - 140	1,0-16,0				42	60	3,0
GYRO SSK10 - 140	1,75-10,0				27,5	60	2,8

## 사용방법 instructions



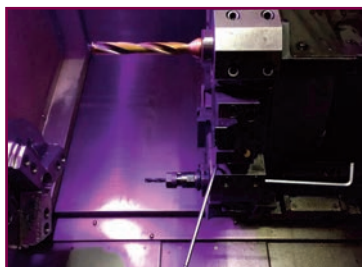
1.터렛에 있는 홀더고정 볼트와 GYRO척 뒤쪽에 있는 볼트를 풀어준다.  
 Please release bolt in turret and bolt in GRYO chuck



2.선반척에 인디게이터 부착후 돌려가며 GYRO척의 상크부의 동심도를 체크한다.  
 check RUN-OUT at shank of GYRO by turning the chuck of cnc lathe after fix the indicator on the chuck of cnc lathe for check how much the lathe have eccentric value



3.동심도 체크후 틀어진 양만큼 터렛의 X축과 GYRO척의 헤드로 돌려가며 원하는 보정값을 맞춘다.  
 adjusting head of GYRO chuck and X of cnc lathe by turning the chuck of cnc lathe

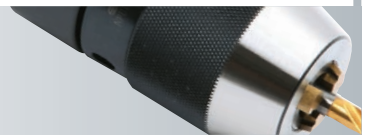


4.풀었던 GYRO척 뒤쪽 볼트를 잠그고 터렛의 홀더 고정볼트 위,아래를 한번에 천천히 잠가준다.  
 Please fasten bolt in turret and bolt in GRYO chuck



5.완료후 다시한번 보정값을 체크한 후에 가공을 시작한다.  
 Please finally check the RUN-OUT and start the operation

# STRAIGHT NC DRILL CHUCK

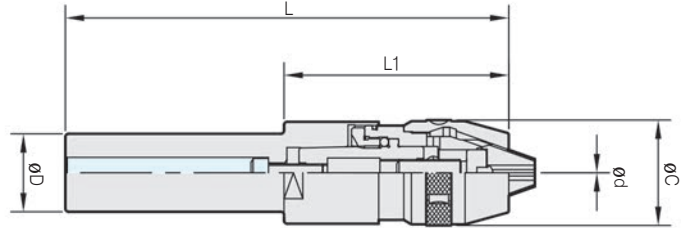


Clamping Range :  $\phi 0.5 \sim \phi 13.0$

CODE No.

**ST32** **NPU13**

Chucking Dia  
Shank



## PRODUCT INFORMATION

머시닝 센터의 일반적인 드릴링 공구입니다.

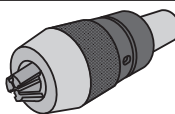
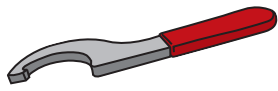
- 척과 샤프트가 일체형 구조로 길이가 짧음
- 가공정도 향상과 우수한 내구성
- 척의 탈락이 없고 주축 정지시 풀리지 않음

General Drillings for Machining Centers

- Unified body of chuck and shank reduces the length of tool.
- Improved working accuracy and superior durability.
- Chuck never detached at the sudden stop of main shaft.

Code No.	$\phi d$	$\phi D$	L	L1	$\phi C$	Weight (kg)
ST32 - NPU 8	0,3~0,8	32	150	80	38	1,0
	1,0~13,0		175	105		
ST42 - NPU 8	0,3~0,8	42	155	80	38	2,3
	1,0~13,0		180	105		

### Spare Parts

Type	Basic	
	Chuck	Spanner
NPU 8		
NPU13	NPU13	NPU13-SP

- ▶ 초경 드릴, 탭은 절대 사용을 금지해 주십시오.
- ▶ 절삭공구 최소 척킹 길이를 준수해 주시기 바랍니다.  
NPU8-20mm이상  
NPU13-30mm이상
- ▶ 스페너는 별매입니다.

- ▶ Please Prohibit use CARBIDE DRILL and CARBIDE TAP.
- ▶ Please follow minimum length of cutting tools.  
NPU8 : more 20mm  
NPU13 : more 30mm
- ▶ Spanner is ordered separately.

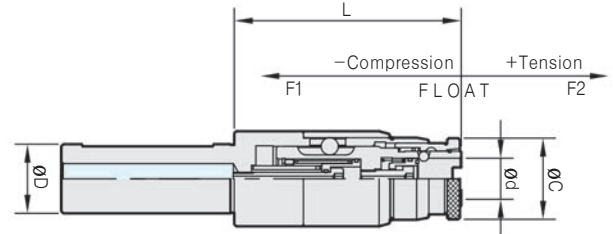
# STRAIGHT TAPPING CHUCK



Tapping Range : M3 ~ M24

CODE No.

**ST32** **TCH22** **165**  
 ↓ ↓ ↓  
 Shank MAX Tapping Length



## PRODUCT INFORMATION

- 플로팅 타입으로 인장수축 장치 내장
- 공구교환이 빠르고 편리함
- 관통구멍과 막힌구멍의 tapping 및 모든 tap 작업 가능
- The tapping chuck is equipped with tension system by floating type.
- Easy and quick tool exchange.
- It is possible for tapping operation of blind hole and through hole.

Code No.	$\phi d$	L	$\phi C$	$\phi D$	L1		Weight (kg)
					F1	F2	
ST32- TCH12 - 125	19	100	35	32	6	12	1.4
TCH22 - 165	31	130	52		10	15	1.8
ST40- TCH12 - 120	19	95	35	40	6	12	2.2
TCH22 - 160	31	125	52		10	15	2.4
ST42- TCH12 - 120	19	95	35	42	6	12	2.8
TCH22 - 160	31	125	52		10	15	3.0

▶ 적용 탭콜릿은 P137 ▶ Private tap collets are referred. P137

# FLOATING ER TAP CHUCK

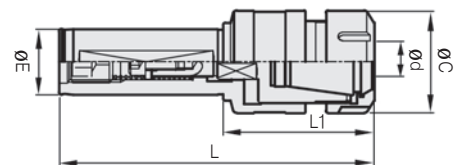


Clamping Range :  $\phi 0.5 \sim \phi 20.0$

※ CNC 선반 TAP작업시 능력 UP!!

CODE No.

**ST40** **FTER32** **85**  
 ↓ ↓ ↓  
 Shank ER Collet Size Length



## PRODUCT INFORMATION

- 플로팅 타입으로 탭 파손 방지
- Prevent the tap from breaking by frotting type.

Code No.	$\phi d$	$\phi C$	L	L1	Collet	$\phi E$	Weight (kg)
ST32 - FTER16 - 65	0.5~10.0	23	145	65	ER16	32	2.0
ST40 - FTER32 - 85	2.0~20.0	50	165	85	ER32	40	2.8

- ▶ CNC 선반 에서 탭작업가능
- ▶ SLA, MC척에 사용가능 합니다.
- ▶ ER콜릿은 P140~P141
- ▶ 스페너는 별매향입니다. P149
- ▶ It can do tapping operation at the CNC lathe.
- ▶ It can use with SIDE LOCK ARBOR and MILLING CHUCK.
- ▶ ER COLLET is referred. P140~P141
- ▶ Spanner is ordered separately. P149

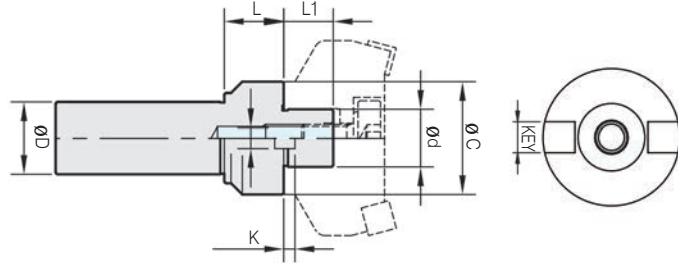
# STRAIGHT FACE MILL ARBOR

CODE No.

**ST32** **FMA25.4**

Shank

Cutter Type


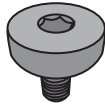




## PRODUCT INFORMATION

■ Sandvik T-MAX face mill cutter 전용 arbor 입니다. ■ Only For T-MAX face mill cutter arbor manufactured by sandvik.

Code No.	$\phi d$	Cutter Dia	$\phi D$	L	$\phi C$	L1	Key	K
ST20 - FMA25.4 (3R)	25.4	80	20	22	50	25	K9,5 - S	5
ST32 - FMA25.4 (3R)			32					
FMA31.75 (4R)	31.75	100	32	25	60	30	K12,7 - S	7
ST42 - FMA25.4 (3R)	25.4	80	42	22	50	25	K9,5 - S	5
FMA31.75 (4R)				25				

### Spare Parts

Type	Basic			
	Key	Clamp Bolt	Key Bolt	Wrench Bolt
FMA25.4				
FMA31.75	K12.7	MBA-M16	BX0515	-
FMA38.1	K15.85	MBA-M20	BX0616	-
FMA50.8	K19	MBA-M24	BX0820	-
FMA47.625	K25.4	-	BX1020	BX1645

▶ 스페어 파트 주문시에는 반드시 품명의 정확한 확인이 필요합니다.  
▶ Key 주문시에는 제품상세표에서 LONG/Short Key를 확인해주세요.

▶ Please pay attention to check spare parts list when you order.  
▶ Please check long/short key when you order.



# STRAIGHT FACE MILL ARBOR

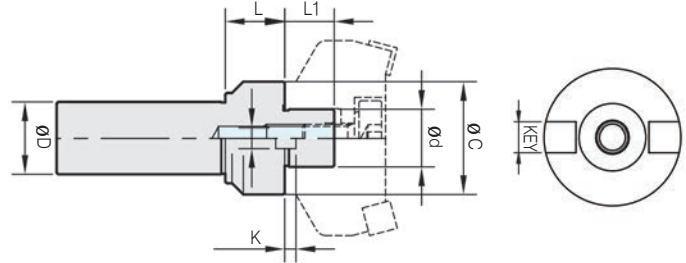


CODE No.

**ST32** **FMC22**

Shank

Cutter Type



## PRODUCT INFORMATION

■ Sandvik T-MAX face mill cutter 전용 arbor 입니다. ■ Only For T-MAX face mill cutter arbor manufactured by sandvik.

Code No.	$\phi d$	Cutter Dia	$\phi D$	L	$\phi C$	L1	Key	K
ST20 - FMC16	16	40	20	18	38	17	K8-S	5
FMC22	22	50/63		20	45	18	K10-S	5.5
ST32 - FMC16	16	40	32	18	38	17	K8-S	5
FMC22	22	50/63		20	45	18	K10-S	5.5
FMC27	27	63/80		22	60	20	K12-S	6
ST42 - FMC22	22	50/63	42	20	45	18	K10-S	5.5
FMC27	27	63/80		22	60	20	K12-S	6

### SpareParts

Type	Basic			
	Key	Clamp Bolt	Key Bolt	Wrench Bolt
FMC16	K8	-	BX0310	BX0820
FMC22	K10	-	BX0412	BX1025
FMC25_4	K9.5	MBA-M12	BX0412	BX1230(Option)
FMC27	K12.0	MBA-M12	BX0515	BX1230(Option)
FMC32	K14.0	MBA-M16	BX0615	BX1635(Option)
FMC38_1	K15.85	MBA-M16	BX0615	BX1635(Option)
FMC40	K15.85	MBA-M20	BX0615	BX1230(Option)

▶ 스페어 파트 주문시에는 반드시 품명의 정확한 확인이 필요합니다.  
▶ Key 주문시에는 제품상세표에서 LONG/Short Key를 확인해주세요.

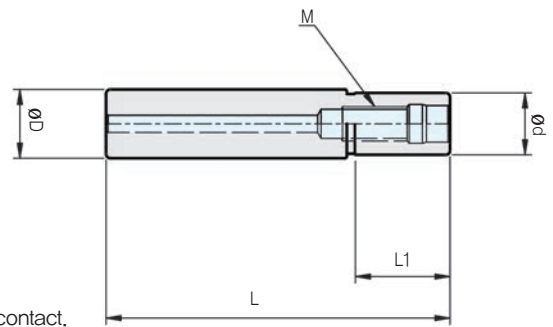
▶ Please pay attention to check spare parts list when you order.  
▶ Please check long/short key when you order.

# ST PRO MILL ARBOR (CARBIDE)



CODE No.

**ST16** **M06** **150**  
 Shank Cutter Type Length



## PRODUCT INFORMATION

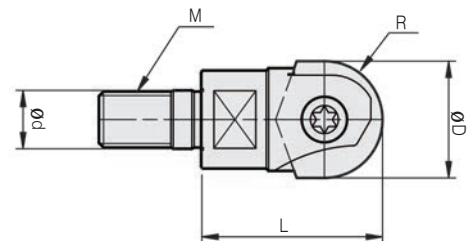
- 모듈라 방식으로 원가 절감
- 높은 정밀도
- 이면구속 체결로 흔들림 감소
- 헤드 교체로 다양한 작업가능
- Cost reduction effect with modular system.
- Excellent accuracy.
- Vibration damping effect due to dual face contact.
- A various operation with exchanging head.

Code No.	øD	ød	L	L1	M
ST10 - M06 - 150	10	9.8	150	24	M6
ST12 - M06 - 150	12	10.8	150	30	M6
ST16 - M06 - 150	16	14.4	120	24	M8
			200		
ST20 - M10 - 200	20	18	200	40	M10
			250		
ST25 - M12 - 250	25	22.5	250	48	M12
			300		

ST SHANK

ST PRO MILL ARBOR (CARBIDE) / ST PRO MILL CUTTER(Ball Type)

# ST PRO MILL CUTTER(Ball Type)



## PRODUCT INFORMATION

- HITACHI 인서트 호환
- 정삭 R작업 최적화
- Compatible with HITACHI insert.
- Optimal for R-finishing operation.

Code No.	R	øD	L	ød	M	Insert	Screw	Wrench
R05M0630	5	10	30	6.5	M6	ZPFG100, ZCFW100	TNS-5842	TXL-10
R06M0630	6	12				ZPFG120, ZCFW120	TNS-5843	TXT-20
R08M0830	8	16		8.5	M8	ZPFG160, ZCFW160	TNS-5844	
R10M1035	10	20	35	10.5	M10	ZPFG200, ZCFW200	TNS-5845	TXT-25
R12M1240	12.5	25	40	12.5	M12	ZPFG250, ZCFW250	TNS-5846	TXT-30

▶ 다양한 Type의 컷터 제작가능합니다.  
 ▶ 전용 스페너는 별매.

▶ Cutters can be made of a variety of Type.  
 ▶ Spanner is ordered separately.

Excellent Precision  
Excellent Quality

**SELUX**  
NC TOOLING SYSTEM

# ACCESSORY

## CHUCK & Item

HYDRAULIC COLLET  
K-COLLET (K TYPE)  
K-COLLET (NC TYPE)  
TAPER COLLET  
DRILL CHUCK COLLET  
TAP ADAPTER (TCA)  
SC COLLET  
ER COLLET  
ER COLLET SET  
TEST BAR  
CENTERING PLUG  
BLANK TOOL  
TAPER SLEEVE ADAPTER  
SLEEVE ADAPTER  
SHRINK FIT MACHINE  
TOOL SETTING STAND  
UNIVERSAL MAGNETIC BASE  
SPINDLE CLEANER  
TOUCH POINT SENSOR  
HEIGHT PRESETTER  
ZOP-50  
SPANNER  
GH SPANNER  
PULL STUD BOLT  
PULL STUD BOLT SPEC



# HYDRAULIC COLLET

Coolant-through hole

Clamping Range :  $\phi 3.0 \sim \phi 25.0$

**D-Collet**

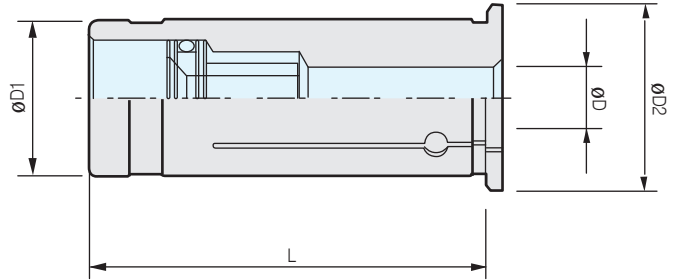
CODE No.

**D32**

**20**

Shank

Chucking Dia



## PRODUCT INFORMATION

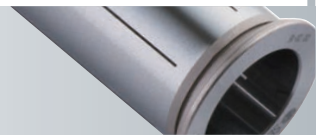
- 4D 선단에서 3 $\mu$ m이내의 흔들림정도
- 스페셜 SIZE는 주문제작.
- 공구 체결시 COLLET에 공구를 먼저 삽입한후 유압척에 콜릿을 삽입하시길 바랍니다.

- 3 $\mu$ m(T.I.R) Run-out at 4D away from shank nose.
- The speical size is made by order.
- Please insert collet in HYDRAURIC CHCUK after inserting the cutting tool in the collet.

Style	D1	D2	L	Weight (kg)
<b>D12</b>	12	16	46	0,1
<b>D20</b>	20	24	52	0,15
<b>D32</b>	32	36	63	0,2

Style	HYDRAULIC COLLET
<b>D12</b>	3,4,5,6,7,8
<b>D20</b>	3,4,5,6,7,8,9,10,11,12,13,14,15,16,17
<b>D32</b>	6,8,10,12,14,16,18,20,25

# HYDRAULIC COLLET



Coolant-through hole

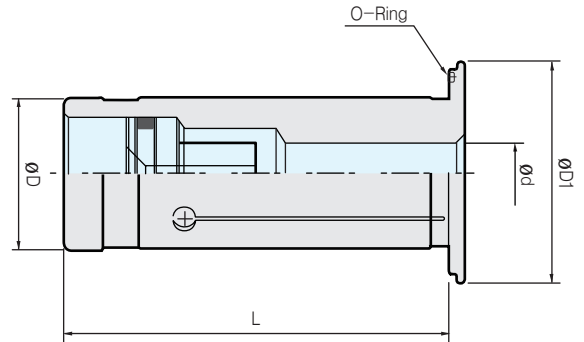
Clamping Range :  $\varnothing 3.0 \sim \varnothing 25.0$

OD-Collet

CODE No.

**OD32** **20**

Shank      Chucking Dia



## PRODUCT INFORMATION

- 4D 선단에서 3 $\mu$ m이내의 흔들림 정도.
- 스페셜 SIZE는 주문제작.
- 공구 체결시 COLLET에 공구를 먼저 삽입한후 유압척에 콜릿을 삽입하시길 바랍니다.
- 방수타입콜릿은 정밀도를 보증하기 위해 정밀 커팅으로 작업되어 있습니다.

- 3 $\mu$ m(T.I.R) Run-out at 4D away from shank nose.
- The speical size is made by order.
- Please insert collet in HYDRAURIC CHCUK after inserting the cutting tool in the collet.
- Waterproof collet has been cut very precisely to guarantee accuracy.

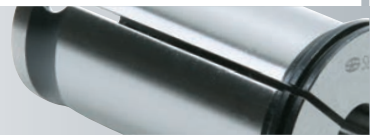
Style	D1	D2	L	Weight (kg)
<b>OD12</b>	12	21	47	0,1
<b>OD20</b>	20	29	52	0,15
<b>OD32</b>	32	39	63	0,2

Style	HYDRAULIC COLLET (Coolant type)
<b>OD12</b>	3,4,5,6,7,8
<b>OD20</b>	3,4,5,6,7,8,9,10,11,12,13,14,15,16,17
<b>OD32</b>	6,8,10,12,14,16,18,20,25

ACCESSORY HYDRAULIC COLLET



# K-COLLET (K TYPE)

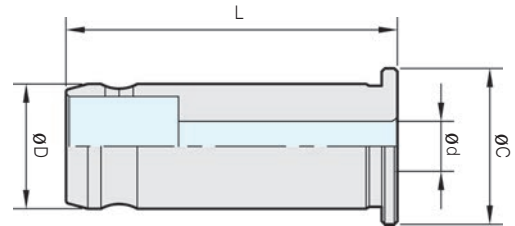


Coolant-through hole  
Clamping Range :  $\phi 3.0 \sim \phi 32.0$

CODE No.  

K32	8
-----	---

  
 ↓ Chucking Dia  
 ↓ Shank



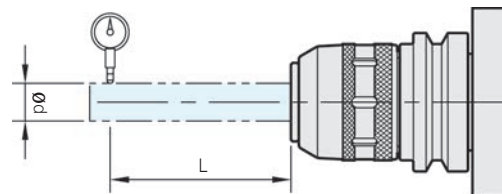
## PRODUCT INFORMATION

- 밀링척용 collet
  - 스페셜 size는 주문제작
  - Synchro Tap size 주문제작
  - 인치 size 주문제작
  - K-COLLET 전Size 재고관리
  - "●" 표는 표준외 품목
- Straight Collet is for Milling Chuck.
  - The speical size is made by order.
  - The synchro tap size is made by order.
  - The inch size is made by order.
  - We keep the stock for all size K-COLLET.
  - The mark "●" indicates the special size.

Style	$\phi D$	L	$\phi C$	Weight (kg)
<b>K20</b>	20	55	25	0.1
<b>K25</b>	25	59	30	0.2
<b>K32</b>	32	65	37	0.3
<b>K42</b>	42	70	47	0.5

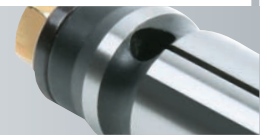
Style	K-COLLET
<b>K20</b>	●3, ●4, ●5, 6, ●7, 8, ●9, 10, ●11, 12, ●13, ●14, ●15, ●16, ●17, ●18
<b>K25</b>	6, 8, 10, 12, ●14, ●15, ●16, ●18, 20
<b>K32</b>	●3, ●4, ●5, 6, ●7, 8, ●9, 10, ●11, 12, ●13, ●14, ●15, ●16, ●17, ●18, ●19, 20 ●21, ●22, ●23, ●24, ●25, ●26, ●27, ●28
<b>K42</b>	●3, ●4, ●5, 6, ●7, 8, ●9, 10, ●11, 12, ●13, ●14, ●15, ●16, ●17, ●18, ●19, 20 ●21, ●22, ●23, ●24, ●25, ●26, ●27, ●28, ●29, ●30, ●31, 32, ●33, ●34, ●35, ●36, ●37, ●38

Style & $\phi d$	L	T.I.R( $\mu m$ )
K20	6,8,10	0,015
K25	12,16	
K32		
K42	20,25,32	



ACCESSORY STRAIGHT COLLET (K TYPE)

# K-COLLET (NC TYPE)



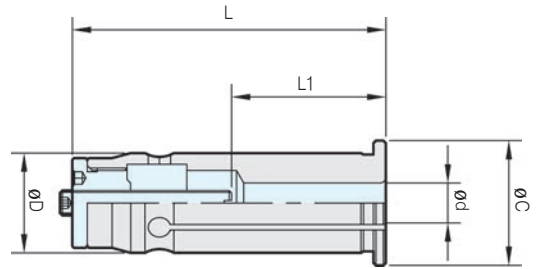
Clamping Range :  $\phi 3.0 \sim \phi 32.0$

## 길이 조절형 타입

CODE No.

NC32 8

Chucking Dia  
Shank



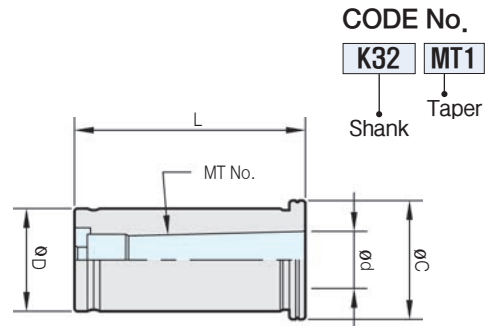
### PRODUCT INFORMATION

- 조절나사에 의해 공구길이조정
- 스페셜 size 주문가능

- The length is adjustable with an adjustable screw.
- The speical size is made by order

Code No.	$\phi d$	$\phi D$	L	$\phi C$	L1		Weight (kg)
					Min	Max	
NC20 - 6	6	20	63	25	30	50	0.1
- 8	8						
- 10	10						
- 12	12						
- 16	16						
NC25 - 6	6	25	68	30	30	58	0.25
- 8	8						
- 10	10						
- 12	12						
- 16	16						
- 20	20						
NC32 - 6	6	32	75	37	30	62	0.4
- 8	8						
- 10	10						
- 12	12						
- 16	16						
- 20	20						
- 25	25						
NC42 - 6	6	42	87	47	30	72	0.6
- 8	8						
- 10	10						
- 12	12						
- 16	16						
- 20	20						
- 25	25						
- 32	32		92				

# TAPER COLLET



## PRODUCT INFORMATION

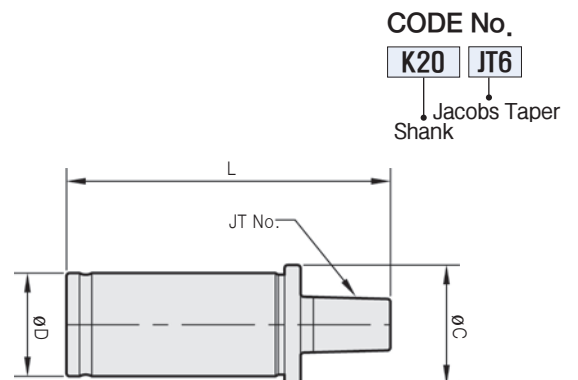
■ MT샙크 공구 체결용 collet

■ Should be used in MT Shank Tool.

Code No.	ød	MT No.	øD	L	øC	Weight (kg)
K20 - MT1	12,065	MT1	20	60	25	0,2
- MT2	17,780	MT2		72		
K25 - MT1	12,065	MT1	25	60	30	0,3
- MT2	17,780	MT2		72		
K32 - MT1	12,065	MT1	32	60	37	0,5
- MT2	17,780	MT2		72		
- MT3	23,825	MT3		90		
K42 - MT1	12,065	MT1	42	60	47	0,7
- MT2	17,780	MT2		72		
- MT3	23,825	MT3		90		
- MT4	31,267	MT4		113		

ACCESSORY TAPER COLLET / DRILL CHUCK COLLET

# DRILL CHUCK COLLET



## PRODUCT INFORMATION

■ JT샙크 공구 체결용 collet

■ Should be used in JT Shank Tool.

Code No.	JT No.	øD	L	øC	Weight (kg)
K20 - JT6	JT6	20	93	25	0,2
K25 - JT6		25	93	30	0,3
K32 - JT6		32	101	37	0,5
K42 - JT6		42	101	47	0,8



# SC COLLET



Coolant-through hole  
Clamping Range :  $\varnothing 0.9 \sim \varnothing 25.4$

CODE No.

**SC6**    **6**

↓  
Chucking Dia  
SC Collet Size



P Class Collet은 전체 Series에 대응이 가능합니다.

## PRODUCT INFORMATION

- 8° Taper 의 강력한 파지력
- 일반 타입 콜릿은 5 $\mu$ m 정도를 보증
- P Class 콜릿은 3 $\mu$ m 정도를 보증
- 전 제품 전수 검사, 품질 보증
- A타입은 End mill 정 size 사용
- C타입은 방수형 전용
- Powerful clamping force of 8° taper.
- The standard type is 5 $\mu$ m(T.I.R) RUN-OUT accuracy.
- The P CLASS is 3 $\mu$ m(T.I.R) RUN-OUT accuracy.
- The quality guaranteed by inspection all products.
- A type is just for endmill of natural number.
- C type is just for waterproof

Code No.	Range
SC6 - 1.0	0.9 ~ 1.0
1.25	1.1 ~ 1.25
1.5	1.25 ~ 1.5
1.75	1.5 ~ 1.75
2.0	1.75 ~ 2.0
2.25	2.0 ~ 2.25
2.5	2.25 ~ 2.5
2.75	2.5 ~ 2.75
3.0	2.8 ~ 3.0
3.5	3.0 ~ 3.5
4.0	3.5 ~ 4.0
4.5	4.0 ~ 4.5
5.0	4.5 ~ 5.0
5.5	5.0 ~ 5.5
6.0	5.5 ~ 6.0
SC10 - 2.0	1.75 ~ 2.0
2.25	2.0 ~ 2.25
2.5	2.25 ~ 2.5
2.75	2.5 ~ 2.75
3.0	2.75 ~ 3.0
3.5	3.0 ~ 3.5
4.0	3.5 ~ 4.0
4.5	4.0 ~ 4.5
5.0	4.5 ~ 5.0
5.5	5.0 ~ 5.5
6.0	5.5 ~ 6.0
6.5	6.0 ~ 6.5
7.0	6.5 ~ 7.0
7.5	7.0 ~ 7.5
8.0	7.5 ~ 8.0
8.5	8.0 ~ 8.5
9.0	8.5 ~ 9.0
9.5	9.0 ~ 9.5
10.0	9.5 ~ 10.0

Code No.	Range
SC13 - 3.0	2.75 ~ 3.0
3.5	3.0 ~ 3.5
4.0	3.5 ~ 4.0
4.5	4.0 ~ 4.5
5.0	4.5 ~ 5.0
5.5	5.0 ~ 5.5
6.0	5.5 ~ 6.0
6.5	6.0 ~ 6.5
7.0	6.5 ~ 7.0
7.5	7.0 ~ 7.5
8.0	7.5 ~ 8.0
8.5	8.0 ~ 8.5
9.0	8.5 ~ 9.0
9.5	9.0 ~ 9.5
10.0	9.5 ~ 10.0
10.5	10.0 ~ 10.5
11.0	10.5 ~ 11.0
11.5	11.0 ~ 11.5
12.0	11.5 ~ 12.0
12.5	12.0 ~ 12.5
13.0	12.5 ~ 13.0

Code No.	Range
SC16 - 3.0	2.75 ~ 3.0
3.5	3.0 ~ 3.5
4.0	3.5 ~ 4.0
4.5	4.0 ~ 4.5
5.0	4.5 ~ 5.0
5.5	5.0 ~ 5.5
6.0	5.5 ~ 6.0
6.5	6.0 ~ 6.5
7.0	6.5 ~ 7.0
7.5	7.0 ~ 7.5
8.0	7.5 ~ 8.0
8.5	8.0 ~ 8.5
9.0	8.5 ~ 9.0
9.5	9.0 ~ 9.5
10.0	9.5 ~ 10.0
10.5	10.0 ~ 10.5
11.0	10.5 ~ 11.0
11.5	11.0 ~ 11.5
12.0	11.5 ~ 12.0
12.5	12.0 ~ 12.5
13.0	12.5 ~ 13.0
13.5	13.0 ~ 13.5
14.0	13.5 ~ 14.0
14.5	14.0 ~ 14.5
15.0	14.5 ~ 15.0
15.5	15.0 ~ 15.5
16.0	15.5 ~ 16.0



# SC COLLET



**Coolant-through hole**  
Clamping Range :  $\varnothing 0.9 \sim \varnothing 25.4$

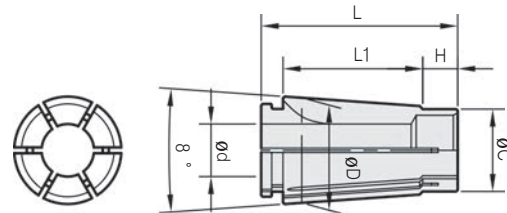
CODE No.

**SC6**   **6**

↓ Chucking Dia  
SC Collet Size



Style	$\varnothing D$	L	$\varnothing C$	L1	H
SC 6	10	25	7.5	17.6	3.8
SC10	15	30.5	12	21.3	5
SC13	19.5	39	15.5	32	5.5
SC16	24	45	18.8	32	8
SC20	28.5	54	23.4	41	8
SC25	35	57	28.9	43	8.5



Code No.	Range
SC20 - 4.0	3.6 ~ 4.0
4.5	4.0 ~ 4.5
5.0	4.5 ~ 5.0
5.5	5.0 ~ 5.5
6.0	5.5 ~ 6.0
6.5	6.0 ~ 6.5
7.0	6.5 ~ 7.0
7.5	7.0 ~ 7.5
8.0	7.5 ~ 8.0
8.5	8.0 ~ 8.5
9.0	8.5 ~ 9.0
9.5	9.0 ~ 9.5
10.0	9.5 ~ 10.0
10.5	10.0 ~ 10.5
11.0	10.5 ~ 11.0
11.5	11.0 ~ 11.5
12.0	11.5 ~ 12.0

Code No.	Range
SC20 - 12.5	12.0 ~ 12.5
13.0	12.5 ~ 13.0
13.5	13.0 ~ 13.5
14.0	13.5 ~ 14.0
14.5	14.0 ~ 14.5
15.0	14.5 ~ 15.0
15.5	15.0 ~ 15.5
16.0	15.5 ~ 16.0
16.5	16.0 ~ 16.5
17.0	16.5 ~ 17.0
17.5	17.0 ~ 17.5
18.0	17.5 ~ 18.0
18.5	18.0 ~ 18.5
19.0	18.5 ~ 19.0
19.5	19.0 ~ 19.5
20.0	19.5 ~ 20.0

Code No.	Range
SC25 - 16.0	15.6 ~ 16.0
16.5	16.0 ~ 16.5
17.0	16.5 ~ 17.0
17.5	17.0 ~ 17.5
18.0	17.5 ~ 18.0
18.5	18.0 ~ 18.5
19.0	18.5 ~ 19.0
19.5	19.0 ~ 19.5
20.0	19.5 ~ 20.0
20.5	20.0 ~ 20.5
21.0	20.5 ~ 21.0
21.5	21.0 ~ 21.5
22.0	21.5 ~ 22.0
22.5	22.0 ~ 22.5
23.0	22.5 ~ 23.0
23.5	23.0 ~ 23.5
24.0	23.5 ~ 24.0
24.5	24.0 ~ 24.5
25.0	24.5 ~ 25.0
25.4	25.0 ~ 25.4

- ▶ SC 콜릿 정밀급 주문시 SC10- $\varnothing P$ 로 주문하여 주십시오.
- ▶ SC 콜릿 방수형 주문시 SC10- $\varnothing C$ 로 주문하여 주십시오.
- ▶ SSK척 / GSK척은 P48~51
- ▶ 너트에서 콜릿 추출시 반드시 콜릿 추출도구를 사용하십시오. SSK척에 부속되어 있습니다.

- ▶ Please order SC10- $\varnothing P$  for accuracy SC COLLET. ( " P CLASS" )
- ▶ Please order SC10- $\varnothing C$  for waterproof SC COLLET.
- ▶ SSK / GSK CHUCK is referred. P48~51
- ▶ Please use collet remover when you separate SK COLLET from NUT. (Collet remover is included)

ACCESSORY SC COLLET

# ER COLLET

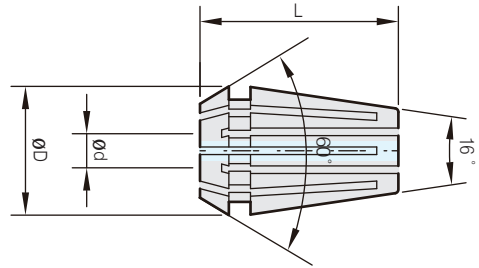


Coolant-through hole  
Clamping Range :  $\varnothing 3.0 \sim \varnothing 32.0$

CODE No.

ER11 6

내경  
ER Collet Type



## PRODUCT INFORMATION

- 높은 정밀도와 다양한 규격
- 강력한 파지력
- $\varnothing 0.5 \sim \varnothing 26.0\text{mm}$  척킹
- Excellent accuracy and various specification.
- Powerful gripping.
- Chucking diameter  $\varnothing 0.5 \sim \varnothing 26.0\text{mm}$

Code No.	Range	$\varnothing D$	L	Run-out
ER11- $\varnothing$	0.5	11.5	17.0	0.010
ER16- $\varnothing$		17.0	27.5	
ER20- $\varnothing$		21.0	31.5	
ER25- $\varnothing$	1.0	26.0	34.0	
ER32- $\varnothing$		33.0	40.0	
ER40- $\varnothing$		41.0	46.0	

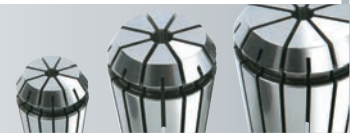
- ▶ GER정밀급 콜릿은 당사에 문의 하여 주십시오
- ▶ ER척은 P52~54

- ▶ Please contact us for accuracy collet "GER".
- ▶ ER CHUCK is referred. P52~54

ACCESSORY

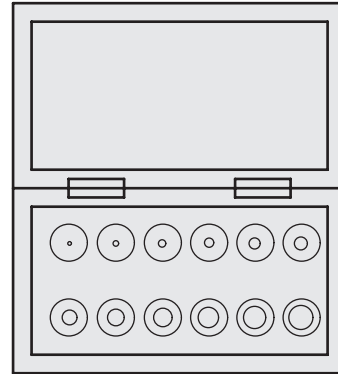
ER COLLET

# ER COLLET SET



**Coolant-through hole**  
Clamping Range :  $\phi 3.0 \sim \phi 32.0$

CODE No.  
**ER11** **SET**  
 ↓            ↓  
               세트  
 ER Collet Type



## PRODUCT INFORMATION

- 높은 정밀도와 다양한 규격
- 강력한 파지력
- $\phi 0.5 \sim \phi 26.0\text{mm}$  척킹
- Excellent accuracy and various specification.
- Powerful gripping.
- Chucking diameter  $\phi 0.5 \sim \phi 26.0\text{mm}$

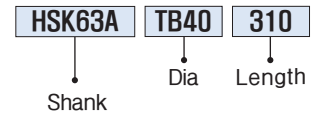
Code No.	Range	Clamping Range	PCS
ER11-Set	0.5	0.5 ~ 7.0	13
ER16-Set		0.5 ~ 10.0	10
ER20-Set		1.0 ~ 13.0	12
ER25-Set	1.0	1.0 ~ 16.0	15
ER32-Set		2.0 ~ 20.0	18
ER40-Set		3.0 ~ 26.0	23

ACCESSORY  
ER COLLET SET

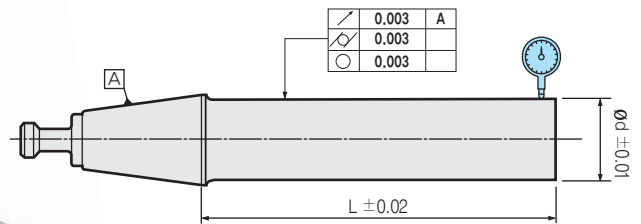
# TEST BAR

기계점검 정도 Check의 필수품  
Sub-Zero 처리에 의한 경년변화 방지,  
관리에 편리하도록 나무 Box에 보관

CODE No.



출하시  $\phi d$ 와 L의 실측치수가  
마킹되어 있습니다.

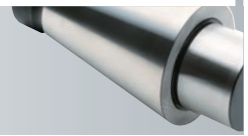


## PRODUCT INFORMATION

- $\phi d$ 에 대한 진원도, 직진도, 원통도 0.003mm이내
- 3mm(T.I.R) Runout Accuracy.
- 스페셜 Size 주문제작
- The speical size is made by order.

Code No.	$\phi d$	L
BT30 - TB30 - 210	28	220
BT40 - TB40 - 310	40	310
BT50 - TB50 - 300	60	310
HSK 40A - TB30 - 170	30	170
HSK 50A - TB40 - 220	40	220
HSK 63A - TB40 - 310	40	310
HSK100A - TB50 - 310	50	310





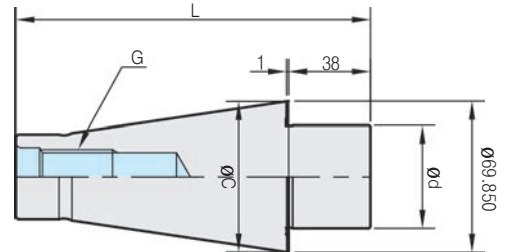
# CENTERING PLUG



CODE No.

**NT50** **CP8(47.625)**

Shank      Chucking Dia



Code No.	ød	Cutter Dia	L	øC	G
NT50 - CP8(47.625)	47.625	200	164	69.56	UNC1" -8
CP8(60)	60				M24X3



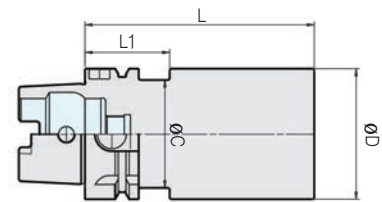
# BLANK TOOL



CODE No.

**HSK63A** **BLK63** **150**

Shank      Dia      Length



Code No.	øD	øC	L	L1
HSK40A - BLK42 - 180	42	34	180	35
HSK50A - BLK52 - 200	52	42	200	42
HSK63A - BLK63 - 150	63	52	150	42
- 250			250	
BLK82 - 200			200	
HSK100A - BLK 102 - 150	102	85	150	45
- 250			250	
BLK 126 - 200			200	
BT30 - BLK48 - 180	48	44	180	30
BT40 - BLK63 - 150	63	61	150	35
- 250			250	
BLK82 - 200			200	
BT50 - BLK102 - 150	102	98	150	48
- 250			250	
BLK126 - 200			200	

- ▶ 상크부와 테이퍼부의 열처리 경도를 블랭크툴의 특성 및 용도에 맞게 제작되었습니다.
- ▶ 스페셜 Size 주문제작

- ▶ The blank tool has a compatible hardness for use and feature of blank tool.
- ▶ The special size is order-made.

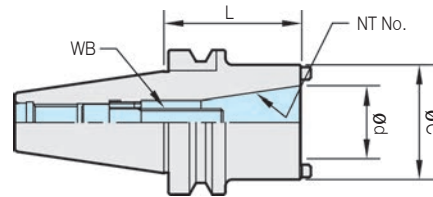
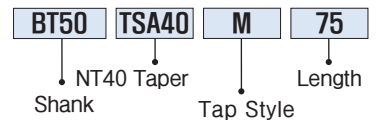
ACCESSORY CENTERING PLUG / BLANK TOOL



# TAPER SLEEVE ADAPTER



CODE No.



## PRODUCT INFORMATION

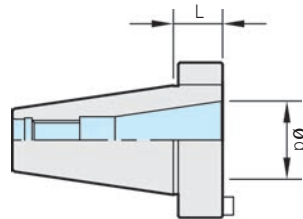
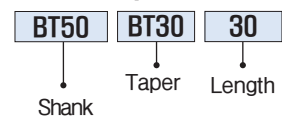
- NT Type 을 BT Type으로 변환 어댑터
- NT Type Change BT Type Adapter.

Code No.	φd	NT No.	L	φC	WB
BT40 - TSA30U - 60	φ31.75	NT30	60	50	UNC1/2-13
TSA30M - 60					M12 x 1,75
BT50 - TSA40U - 75	φ44.45	NT40	75	70	UNC5/8-11
TSA40M - 75					M16 x 2,0

# SLEEVE ADAPTER



CODE No.



## PRODUCT INFORMATION

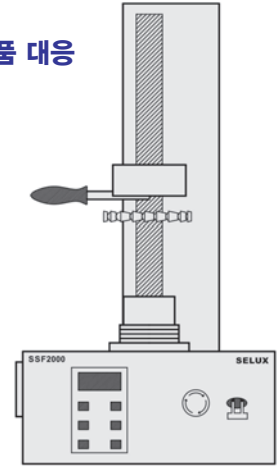
- 툴 프레셋터 전용 공구입니다.
- Tool presetter optional accessories.
- Special size도 제작합니다.
- Special size can be ordered.

Code No.	φd	L
BT40 - BT30 - 20	31,75	20
BT50 - BT30 - 30	31,75	30
BT40 - 30	44,45	30

# SHRINK FIT MACHINE



BT, GBT, HSK, SK전제품 대응



## PRODUCT INFORMATION

- 홀더 재질 스텝, SUS 소재 대응
- 100V~240V 대응.
- 공구는 초경재질만 대응(하이스 사용불가)
- 한,일 공동 개발제품.

- It is possible to use shrink fit made by steel and SUS.
- Main voltage is 100 ~ 220 voltage.
- Please use just only CARBIDE. (prohibit using HSS)
- It is the product of joint development with Korean and Japaneses.

Code No.	A	B	H
SSF2000	350	360	730

## Chucking Time

홀더내경	코일내경	초경	
		삽입	탈착
4	20	6	6
6	20	6	6
8	20	6	6
10	20	8	6
12	20	12	6
16	30	20	10
20	40	20	12
32	50	20	30

- ▶ 퓨즈 및 내열장갑은 부속되어 있습니다.
- ▶ 코일은 20mm 기본포함 사항입니다. 그외 사이즈는 별도 구매입니다.
- ▶ 자세한 사용법 및 주의 사항은 설명서를 참고하여 주시기 바랍니다.
- ▶ 제품고장시 A/S는 당사에 문의하여 주시기 바랍니다.

- ▶ Fuse and gloves are included.
- ▶ 20mm Coil is including basic issue. Other size is a separate purchase.
- ▶ Details of use and precautions refer to instruction.
- ▶ Please contact us for after service.



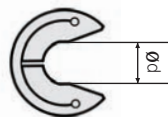
ACCESSORY

SHRINK FIT MACHINE

## Stopper



열박음시 공구길이 조정



Code No.	ød
STP-ø	3, 3.175, 4, 6, 8, 10, 12, 16, 20, 25

# TOOL SETTING STAND



CODE No.

**BT50**   **TSS**

↓ Tool setting stand  
Shank

## PRODUCT INFORMATION

- 45° 형으로 편리한 사용
- HSK용 수직형 타입
- Easy to use by 45° type.
- The vertical type for HSK.

Code No.	Taper	Angle type
BT 30 - TSS	BT30	45°
BT 40 - TSS	BT40	45°
BT 50 - TSS	BT50	45°
HSK 50 - TSS	HSK50	90° (VERTICAL)
HSK 63 - TSS	HSK63	90° (VERTICAL)
HSK100 - TSS	HSK100	90° (VERTICAL)

# UNIVERSAL MAGNETIC BASE



CODE No.

**UMB**   **340**

↓ Length  
Universal magnetic base

## PRODUCT INFORMATION

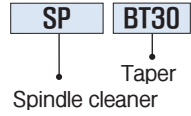
- 편리한 조작과 수평길이 340mm의 긴 측정범위
- 강력한 마그네틱 베이스로 완전고정
- 클램프 다이얼 하나로 관절부 완벽고정 흔들림 없음.
- 다이얼 인디게이터는 별도구매
- Easy to use and have a long measuring range that is 340mm.
- Complete fix by powerful magnetic base.
- It is possible to fix axial joint just only fastening the clamp dial.
- The dial indicator is not included.

Code No.	Holding Power	BASE SIZE			Arm Length	Weight (kg)
		L	W	H		
<b>UMB-34</b>	80KG	60	50	55	340mm	1.5

# SPINDLE CLEANER



CODE No.



## PRODUCT INFORMATION

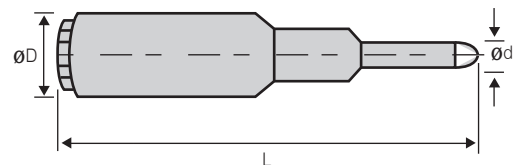
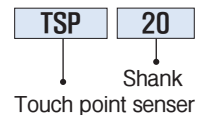
- 고급 양모지로 제작
- 장비 스피들내의 정전기 발생을 방지하며 스피들과 공구의 수명을 연장가능
- The cleaner is made of lambskin.
- It is for antistatic feature on the machine spindle and improve the tool life and the spindle

Code No.	Taper
SP - BT30	BT30
SP - BT40	BT40
SP - BT50	BT50
SP - HSK50	HSK50
SP - HSK63	HSK63
SP - HSK100	HSK100

# TOUCH POINT SENSOR



CODE No.



## PRODUCT INFORMATION

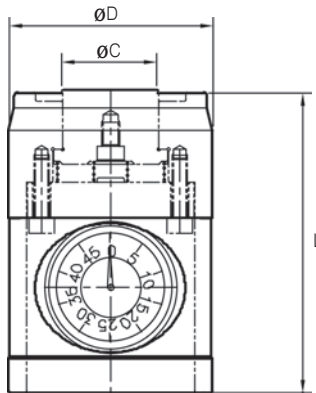
- 주의: 터치 포인트 센서는 회전시 사용을 금지합니다.
- Notice to optical edge finder that is not suitable used for rotatory.

Code No.	øD	L	ød
TPS - 20	20	158	10
TPS - 32	32	158	10

ACCESSORY

SPINDLE CLEANER / TOUCH POINT SENSOR

# HEIGHT PRESETER



CODE No.  
**HP** **100**  
 ↓ ↓  
 Height preserter Length

## PRODUCT INFORMATION

- MCT/선삭의 커터 길이 설정용
- 설계고도 : 100±0.003
- 연마된 평행판을 사용하면 간단히 설정 가능.
- For setting length on machining centers.
- Setting height : 100±0.003
- Easy to be calibrated by a ground parallel or gauge block.

Code No.	Hight	øD	øC	L
HP - 100	100±0.003	68	36	100

ACCESSORY

HEIGHT PRESETER / ZOP-50

# ZOP-50



CODE No.  
**ZOP** **50**  
 ↓ ↓  
 Zop Length

## PRODUCT INFORMATION

- MCT/선삭의 커터 길이 설정용
- 설계고도 : 50±0.005
- 연마된 평행판을 사용하면 간단히 설정 가능.
- 터치시 발광효과
- For setting length on machining centers.
- Setting height : 50±0.005
- Easy to be calibrated by a ground parallel or gauge block.
- Touch grow effects.

Code No.	Hight
ZOP - 50	50±0.005



# SPANNER



CODE No.  
**MC20** **SP**  
 Milling chuck Size      Spanner

MC SPANNER		ER, SSK SPANNER			
Code no.	Size	Code no.	ER	호환성	SSK
MC20 - SP	50-55	SP	ER11-SP		SC 6-SP
MC25 - SP	56-61		ER16-SP	←-----→	SC10-SP
MC32 - SP	68-73		ER20-SP		SC13-SP
MC42 - SP	88-96		ER25-SP	←-----→	SC16-SP
			ER32-SP	←-----→	SC20-SP
			ER40-SP	←-----→	SC25-SP

# GH SPANNER



CODE No.  
**GH20** **SP**  
 Size      Spanner

- GH핸들은 사용이 간편하며 고속회전용 너트에 대응합니다.
- GH spanner is for high speed nut and easy to use.
- 일반스페너의 50%힘만으로 체결이 가능 합니다.
- It just need 50% power comparing to general spanner.

GH SPANNER			
Code no.	HIGH SPEED MILLING CHUCK	호 환 성	HIGH SPEED GSK COLLET CHUCK
GH6 - SP			SC 6-PH
GH10 - SP			SC10-PH
GH16 - SP			SC16-PH
GH20 - SP	MC20-GH	←-----→	SC20-PH
GH25 - SP	MC25-GH	←-----→	SC25-PH
GH32 - SP	MC32-GH		

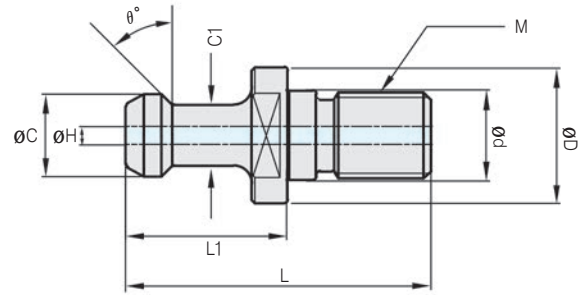
ACCESSORY SPANNER / GH SPANNER

# PULL STUD BOLT



CODE No.

**P40T** **1**



## PRODUCT INFORMATION

- 인장강도가 높은 소재사용
- 침탄열처리
- 완전 연마 처리
- Raw material that has excellent tensile strength.
- Cementation heat treatment.
- Complete grinding face.

Code No.		ød	øD	L	øC	C1	θ°	L1	M	øH						
PS - 16	P30T - 1	12,5	16,5	43	11	7	45°	23	M12							
PS - 17	P30T - 2						30°									
	P30T - 1(ø 2,5)						45°				2,5					
PS - 1	P40T - 1	17	23	60	15	10	45°	35	M16							
PS - 2	P40T - 2						30°									
PS - 73	P40T - 1(ø 3)						45°				3					
PS - H28	P40T - 1HS						30°				3(O-RING)					
PS - 75	P40T - 2(ø 3)						0°	3								
PS - 08	PS40 - 3F						54,6							29,6		
PS - G5	PS40 - 1F															
PS - G58	PS - G58						22	44,11			18,80	12,45	45°	19,11		7
PS - G51	PS - G51															
PS - 805	PS - 805						23	54			19	14	15°	29		6
PS - 806	PS - 806															
PS - P5	MP - 40	23	50	15	10	0°	25		7							
PS - 309	DIN69872 - A40															
PS - 302	DIN69872 - B40															
PS - A1	ISO7388/2 - A40	22,5	44,5	18,95	12,95	45°	16,4		7,35							
PS - A4	ISO7388/2 - B40															
PS - 5	P50T - 1	25	38	85	23	17	45°	45	M24							
PS - 6	P50T - 2						30°									
PS - 5E	P50T - 1(ø 7)						45°				7					
	P50T - 1HS						30°				7(O-RING)					
PS - 6E	P50T - 2(ø 7)						0°	7								
PS - 0	PS50 - 1F						7								7(O-RING)	
PS - H33	PS50 - 1FH															
	PS50 - 1F(ø 7)															
PS - G45	PS - G45						37	65,2			28,97	20,83	45°	25,2		10
PS - G41	PS - G41															
PS - 809	PS - 809	38	74	28	21	15°	34		10							
PS - 810	PS - 810															
PS - P	MP - 50	36	71	24	18	0°	31									
PS - B1	PS50 - 1L	38	110	22	16	30°	72									
PS - 512	DIN69872 - A50	36	74	28	21	15°	34		11,5							
PS - 581	DIN69872 - B50															
PS - A3	ISO7388/2 - A50															
PS - A6	ISO7388/2 - B50	37	65,5	29,1	19,6	45°	25,55		11,5							

- ▶ 사용할 기계의 폴스터드볼트 사양을 꼭 확인후 주문해 주십시오.
- ▶ Center Through 기계에 오일홀이 없는 폴스터드 볼트사용시에는 단면이 연마되어 있는 제품을 사용하셔야 합니다.

- ▶ Please order after checking specifications of pull stud bolt for Machining center.
- ▶ When you use pull stud bolt without oil hole at the center through machine you must use the pull stud bolt grinded face.

ACCESSORY PULL STUD BOLT

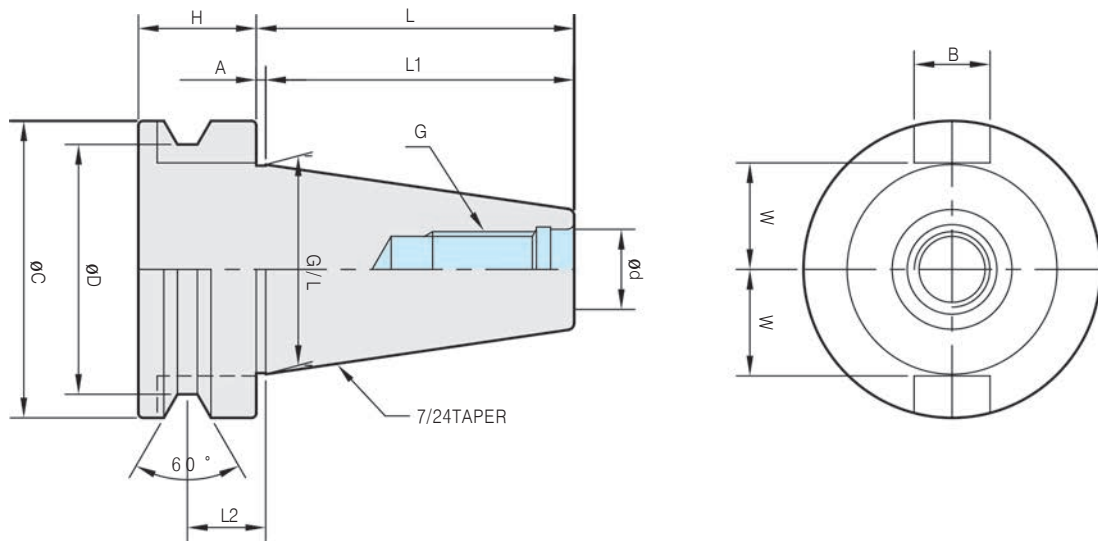
# PULL STUD BOLT SPEC



장비 회사명	모델명	공구 형식	PSB	Oil Hole Type	장비 회사명	모델명	공구 형식	PSB	Oil Hole Type				
DOOSAN	ACE-TC3200D	BT30	P30T-1	P40T-1(3)	SMEC	Any Mill LCV30A/B	BT30	P30T-2					
	ACE-TC400					Any Mill LCV55S		BT50	P50T-2	P50T-2(7)			
	ACE-HC400/500	Any Mill LCV650S	P50T-1	P50T-1		P50T-1(7)							
	ACE-HP4000/5100	Any Mill LCV66											
	ACE-V430	Any Mill LCV80											
	ACE-VC500	DMC-3000	P50T-1F	PS50-1FH									
	ACE-VM5410/510	BT40	P40T-1	P40T-1		P40T-1(3)							
	ACE-VM600						BT50	P50T-1	P50T-1(7)				
	ACE-VMD450	BT40	JISB6339 B40 (PS-805)	P40T-1(3)		HWACH EON	SIRIUS-1	BT30	P30T-1				
	Mynx 410						SIRIUS-550	BT40	P40T-1	P40T-1(3)			
	Mynx NM410				SIRIUS-UL/ULG		BT50	PS50-1F	PS50-1FH				
	ACE-H100				SIRIUS-12580								
	ACE-HM500/630/800				SIRIUS-650/650N								
	ACE-HP500/630				SIRIUS-700								
	ACE-VM710				SIRIUS-7040		BT40	P40T-1	P40T-1(3)				
	ACE-VM900/950				SIRIUS-850/850N								
	Mynx 500				BT50		P50T-1	P50T-1(7)	HASS	TM-1/2	BT40	P40T-1	P40T-1(3)
	Mynx 650									VF-4SS/3SS/2SS			
	Mynx 750	VF-2TR											
	NR 510M	VF-5/50TR	BT50	P50T-1		P50T-1(7)							
NR 700	VF-9/50												
NR 5000	VF-8/50												
VM 70(H)	BT40			MAZZAK				PS-G51					
VM 84					BT50			PS-G41					
VM 925L	BT40			MORI SEKI				PS40-3F					
VM 560/50					BT50			PS50-1F	PS50-1FH				
WA	MX 380/420	BT30	P30T-1		S&T (구 통일)	BT40	P40T-1	P40T-1(3)					
	VX 380T/420T								FX-500H	BT40	P40T-2	P40T-2(3)	
	KV 45/45P	TCH-45											
	VX 400/460	TNV-40A	BT50	P50T-2		P50T-2(7)							
	VX 500	TNV-80A											
	VX 510M/660M	TCH-50											
	VX 700/40	TCH-80											
	VX 700/50	TCH80TS											
	KV 60N/90	TNV-650V											
	VX 750												
	WA500/50												

**NATIONAL TAPER SHANK**

# MAS 403(BT) JIS B6339



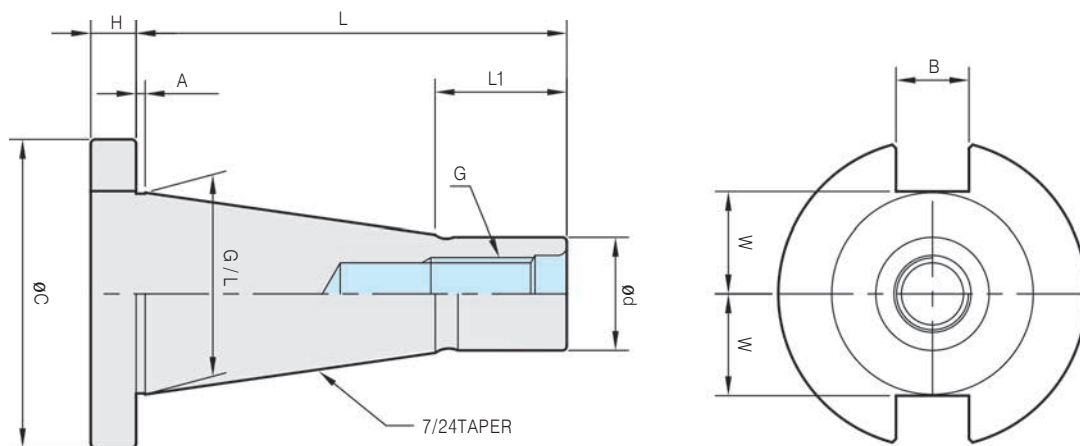
(mm)

Taper	ød	G/L	øD	L	øC	L1	L2	H	A	B	W	G
BT30	12,5	31,75	38	50,4	46	48,4	13,6	20	2	16,1	16,3	M12 x 1,75
BT40	17	44,45	53	67,4	63	65,4	16,6	25	2	16,1	22,6	M16 x 2,0
BT50	25	69,85	85	104,8	100	101,8	13,2	35	3	25,7	35,4	M24 x 3,0
BT60	31	1,7,95	135	164,8	155	161,8	28,2	45	3	25,7	60,1	M30 x 3,5

TECHNICAL

# NATIONAL TAPER SHANK

## DIN 2080(NT) JIS B6101



TECHNICAL

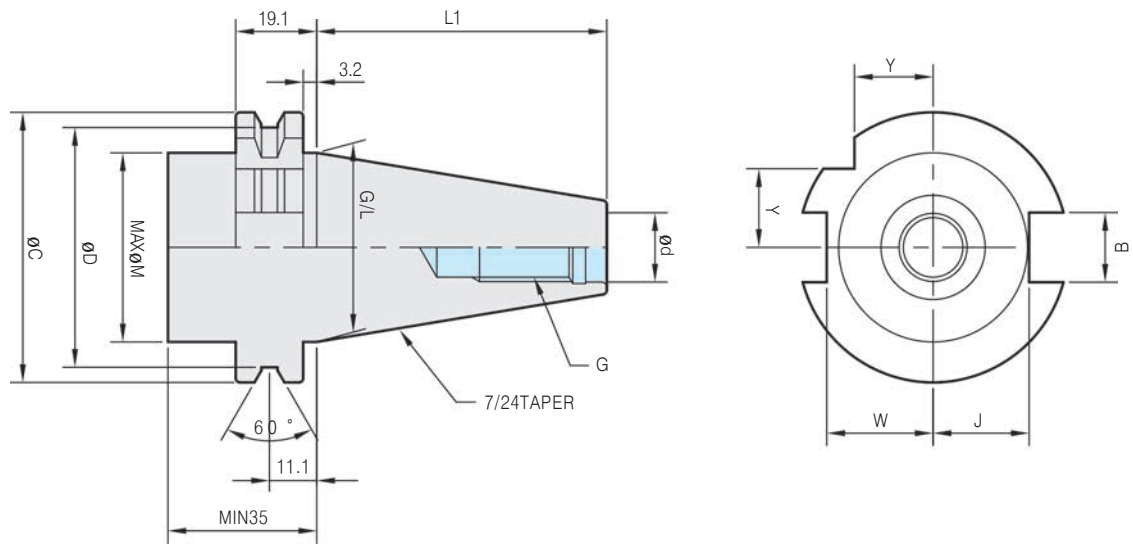
Taper	ød	G/L	L	øC	L1	H	A	B	W	G
NT30	17.4	31.75	70	46	20	10	1.6	16.1	16.2	U1/2" -13
NT40	25	44.45	95	68	29	10	1.6	16.1	22.5	U5/8" -11
NT50	39	69.85	130	98	26	15	3.2	25.7	35	U1/8
NT60	60.2	107.95	210	158	45	16	3.2	25.7	60.1	U1,1/4-7



**NATIONAL TAPER SHANK**

# DIN69871-1A/ISO7388

## SK/ISO

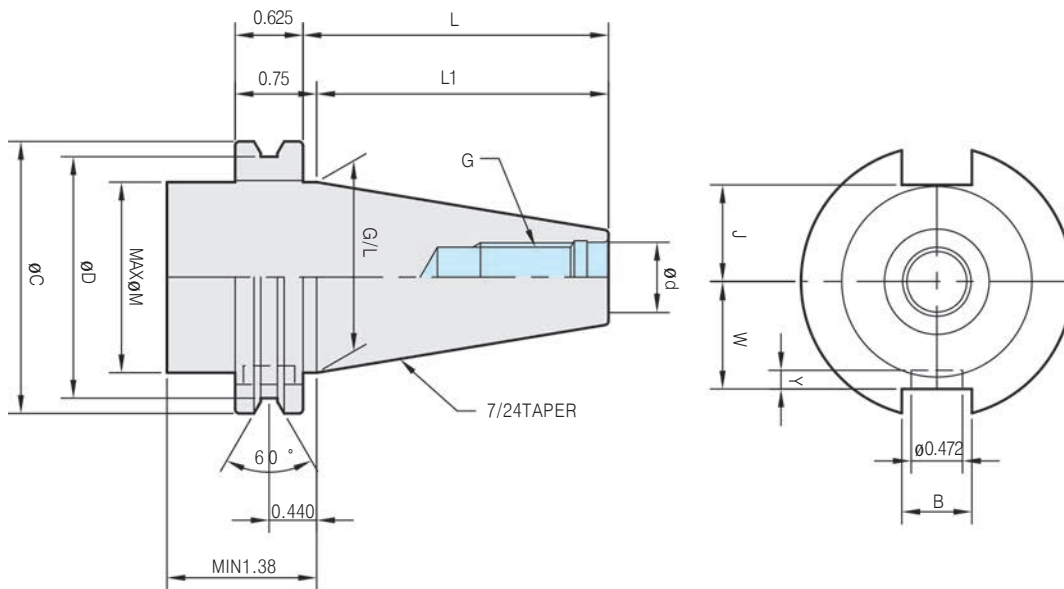


(mm)

Taper	ød	G/L	øD	øC	L1	øM	J	W	B	Y	G
SK30	13	31,75	44,3	50	47,8	75	16,4	19	16,1	15	M12 * 1,75
SK40	17	44,45	56,25	63,55	68,4	50	22,8	25	16,1	18,5	M16 * 2,0
SK50	25	69,85	91,25	97,5	101,75	80	35,5	37,7	25,7	30	M24 * 3,0

**NATIONAL TAPER SHANK**

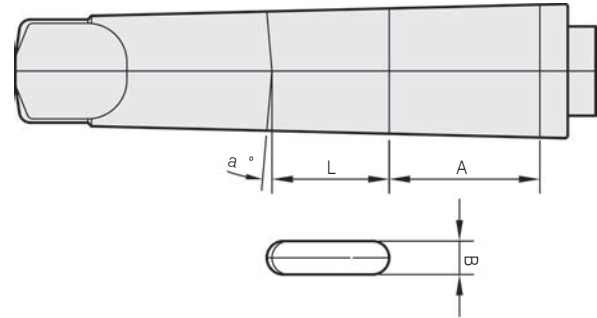
# ANSI B5,50 CATERPILLAR



(inch)

Taper	ød	G/L	øD	L	øC	L1	øM	J	W	B	Y	G
CAT30	0,516	1,250	1,531	2,000	1,812	1,875	1,250	0,640	0,735	0,645	0,218	UNC1/2" -13
CAT40	0,641	1,750	2,219	2,812	2,5000	2,687	1,750	0,890	0,985	0,645	0,218	UNC5/8" -11
CAT50	1,031	2,750	3,594	4,125	3,874	4,000	2,750	1,390	1,485	1,020	0,343	UNC1" -8

# COTTER PIN SPEC



## PRODUCT INFORMATION

- 대형 Endmill이나 Tapping등의 중절삭 가공시 추력의 발생으로 툴의 빠짐을 Cotter pin을 박음으로 방지가능.
- 장비 업체에 따라 Cotter pin 구멍이 다르므로 기계 회사명 및 A, B, L 치수를 알려주십시오.

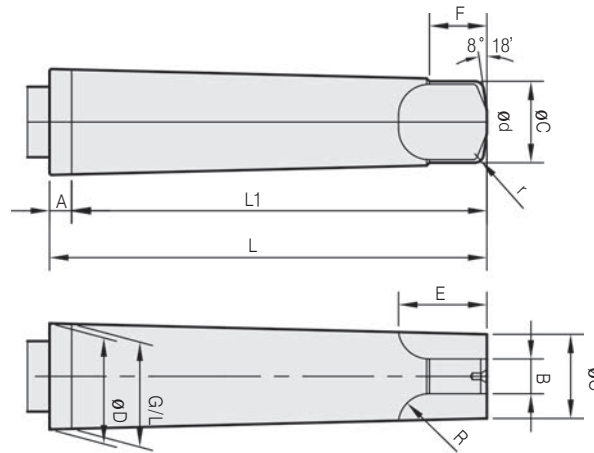
- Mounting cotter pin can protect the tools drap, such as big endmill or tap due to occurring thrust in heavy duty.
- Cotter pin types are different according to machine manufacturer, please point out machine manufacturer and the size of "A", "B", "L" when you order.

Taper	Maker	Cotter Pin Code	A	L	B	a°	Machine
MT4	Aoyama	A	44	25	12,2	-	
	Yoshida	Y	10	18	8,0	-	YR3
			14	15	8,0	-	YR2
	Ooya	O	9	21	8,0	-	YD2, YD3
			5	18	8,2	-	R2000
			9	10	8,2	-	RA2-1300
	Okuma	B	26	30	8,2	-	RE-1250A
	Ikegai	I	33	24	10,0	8,18'	
Kurashiki	K	26,3	28,7	12,2	5,0		
MT5	Aoyama	A	48	38	13,3	5,0	
	Yoshida	Y	9	31,7	13,0	5,0	
	Ooya	O	22	15	12,2	-	RE2-1300
			15	20	12,2	-	RE3-1600
	Okuma	B	27	38,8	12,2	3,30'	
	Ikegai	I	52	33	13,0	5,0	
	Kurashiki	K	52	33	13,0	5,0	
	Nomura	N	27	35	12,2	8,18'	
	Shinada	S	37	37	16,0	-	
	Toshiba	T	50	35	13,0	-	
Daewoo	D	52	33	13,0	5,0		
MT6	Ooya	O	25	28	19,3	-	
	Okuma	B	37	46,7	16,4	3,30'	
	Ikegai	I	52	42	16,2	5,0	
	Kurashiki	K	54	37	16,3	8,18'	
	Nomura	N	27	37,6	16,2	8,18'	
	Shinada	S	56,5	46	19,0	-	
	Toshiba	T	54	40	16,0	-	
	Daewoo	D	52	45	16,2	5,0	
Kia	W	54	41,3	16,2	-		

TECHNICAL

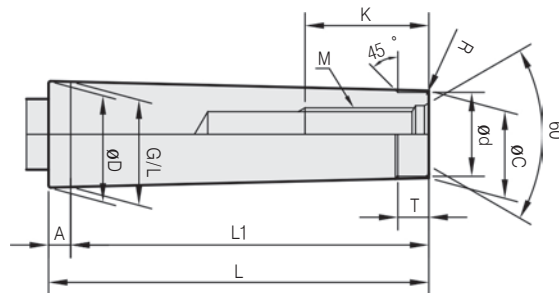
# MORSE TAPER SHANK

## JIS B4003



(mm)

MT No.	Taper	Angle(a/2)	G/L	øD	L	øC	L1	A	ød	B	E	F	R	r
MT0	1/19,212	1,29 26,91"	9,045	9,201	59,5	6,104	56,5	3,0	6,0	3,9	10,5	6,5	6,5	1,0
MT1	1/20,047	1,25 43,46"	12,065	12,240	65,5	8,972	62,0	3,5	8,7	5,2	13,5	8,5	8,5	1,2
MT2	1/20,020	1,25 50,04"	17,780	18,030	80,8	14,034	75,0	5,0	13,5	6,3	16	10	10	1,6
MT3	1/19,922	1,26 15,72"	23,825	24,076	99,0	19,107	94,0	5,0	18,5	7,9	20	13	13	2,0
MT4	1/19,254	1,29 15,21"	31,267	31,605	124,0	25,164	117,5	6,5	24,5	11,9	24	16	16	2,5
MT5	1/19,002	1,30 26,02"	44,399	44,741	156,0	36,531	149,5	6,5	35,7	15,9	29	19	19	3,0
MT6	1/19,180	1,29 35,86"	63,348	63,765	218,0	52,399	210,0	8,0	51,0	19,0	40	27	27	4,0
MT7	1/19,231	1,29 21,61"	83,058	83,578	296,0	68,186	286,0	10	66,8	28,6	54	35	35	5,0

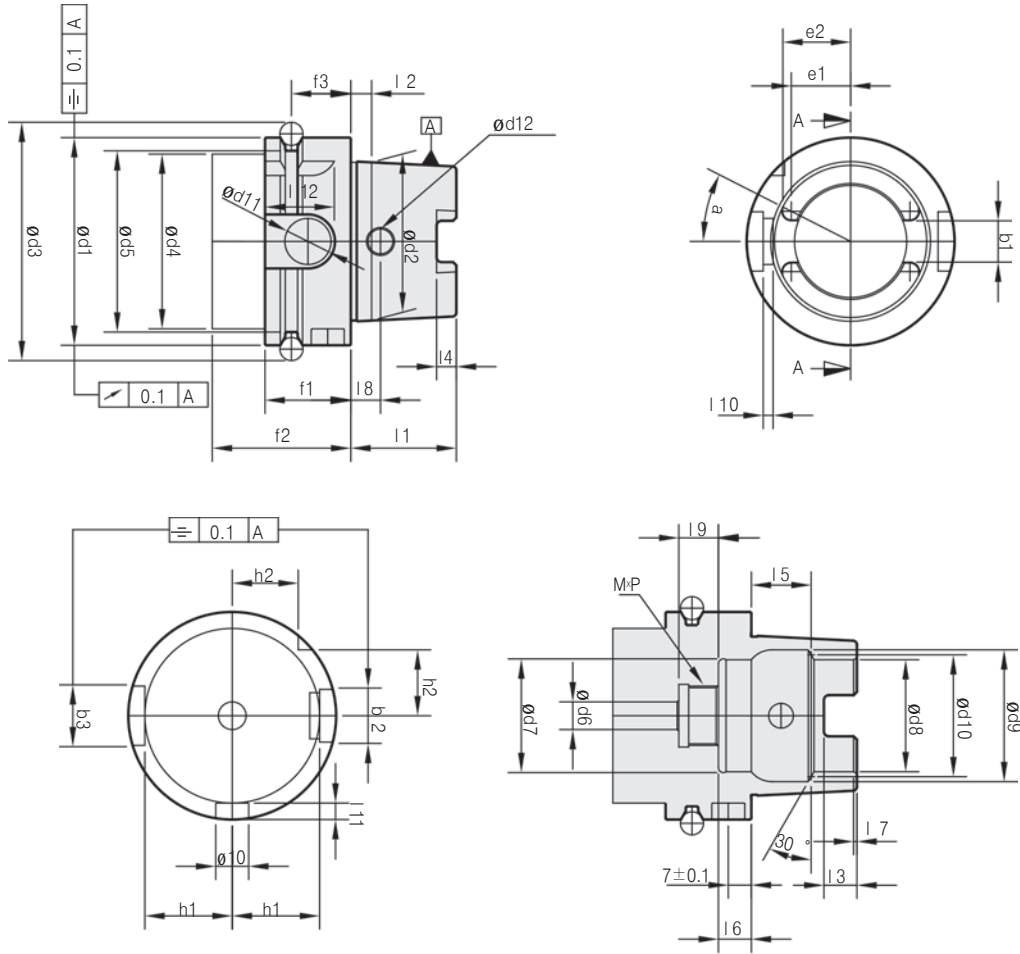


(mm)

MT No.	Taper	Angle(a/2)	G/L	øD	L	øC	L1	A	ød	M	K	T	R
MT0	1/19,212	1,29 26,91"	9,045	9,201	53	6,442	50	3,0	6,0	-	6,5	4	0,3
MT1	1/20,047	1,25 43,46"	12,065	12,240	57	9,396	53,5	3,5	9,0	M6	8,5	5	0,5
MT2	1/20,020	1,25 50,04"	17,780	18,030	69	14,583	64	5,0	14,0	M10	10	5	0,5
MT3	1/19,922	1,26 15,72"	23,825	24,076	86	19,759	81	5,0	19,0	M12	13	7	0,6
MT4	1/19,254	1,29 15,21"	31,267	31,605	109	25,943	102,5	6,5	25,0	M16	16	9	1,0
MT5	1/19,002	1,30 26,02"	44,399	44,741	136	37,584	129,5	6,5	35,7	M20	19	9	2,5
MT6	1/19,180	1,29 35,86"	63,348	63,765	190	53,856	182	8,0	51,0	M24	27	12	4,0
MT7	1/19,231	1,29 21,61"	83,058	83,578	260	70,058	250	10	65,0	M33	35	18,5	5,0

# HSK TAPER SHANK(A-TYPE)

# DIN69893-1 ISO12164-1:2001



(mm)

Taper	$\varnothing d_1$	$\varnothing d_2$	$\varnothing d_3$	$\varnothing d_4$	$\varnothing d_5$	$\varnothing d_6$	$\varnothing d_7$	$\varnothing d_8$	$\varnothing d_9$	$\varnothing d_{10}$	b1	b2
HSK50	50	38,009	59,3	42	43	6,8	26,5	26	32	29	10,54	14
HSK63	63	48,010	72,3	53	55	8,4	34,5	34	40	37	12,54	18
HSK100	100	75,013	109,75	88	92	12	63,5	53	63	58	20,02	22

Taper	$\varnothing d_3$	a	e1	e2	h1	h2	f1	f2	f3	l1	l2	l3
HSK50	12	27, ±3	13,88	16,26	21	15,5	26	42	18	25	5	7,5
HSK63	16		17,99	20,37	26,5	20,0	26	42	18	32	6,3	10
HSK100	20		27,37	32,25	44	31,5	29	45	20	50	10	15

Taper	14	15	16	17	18	19	l10	l11	l12	$\varnothing 11$	$\varnothing d_{12}$	M&P
HSK50	4,5	14,13	10	1	7,5	10	2,7	5,1	19	11	6	M16*1,0
HSK63	6	18,13	10	1	9	12	2,7	5,0	21	14	7,5	M18*1,0
HSK100	10	28,56	12,5	1,5	15	16	5,2	4,9	24	16	12	M24*1,5



## 安全上 의 注意 (Attention for Safety)

當社의 製品을 愛用해 주셔서 대단히 감사합니다.  
 항상 製品의 品質向上 및 安全한 製品을 만들기 위하여 努力하고 있습니다.  
 弊社製品의 取扱 및 使用時 下記 事項에 注意하여 주시기 바랍니다.  
 Thank you very much for being used habitually our product.  
 We're trying to produce safe products and quality improvement.  
 Please, pay attention the following items when handle and use of our company's products.



取扱 부주의의 경우 危險한 狀況이 發生되는 경우가 있습니다.  
 危險을 防止하기 위한 注意事項 이므로 取扱 說明書의 內容을 반드시 읽고 注意事項을 준수하여 作業 하여 주시기 바랍니다.  
 In the case of mishandling there is occasion that critical situation is occurred.  
 For preventing danger, read contents of the instructions certainly and observe and work caution.

## 安全上 의 注意 (Safety Notice)

- ★ 製品을 들고 운반 시 BOX에서 꺼낼 때 落下에 注意하여 주십시오.
- ★ BOX가 많을 경우나 무거운 것을 取扱시는 특히 주의해 주세요. 必要에 따라서는 運搬 機具를 사용해 주십시오.
- ★ When take out from the box in process of transport, pay attention in descent.
- ★ Pay attention specially, when handle a lot of or heavy ghing, if necessary, use conveyance instrument.

## 切削工具 取扱時 注意 (Attention at cutting tool treatment)

- ★ 切削工具는 항상 Presetter나 治具에 確實히 固定한 후 作業하여 주십시오.
- ★ 切削工具를 Holder에 끼울 때는 날부위를 손으로 直接 만지는 일이 없도록 注意하여 주십시오.
- ★ 切削工具 탈착용 工具는 지정된 工具를 사용하여 주십시오. 탈착구가 安全하게 장착 되었는지 확인 후 천천히 잠귀 주십시오. Hammer나 Pipe를 사용하여 잠그지 말아 주십시오.
- ★ Cutting tool works after fixing certainly to presetter or fixture components.
- ★ Do not to touch the edge directly with hands and pay attention when insert cutting tool to holder.
- ★ Use designated tool for desorption of cutting tool. Please lock slowly after confirmation what desorption part is inserted safe. Do not use hammer or pipe to lock.

## 加工時의 注意 (Attention at processing)

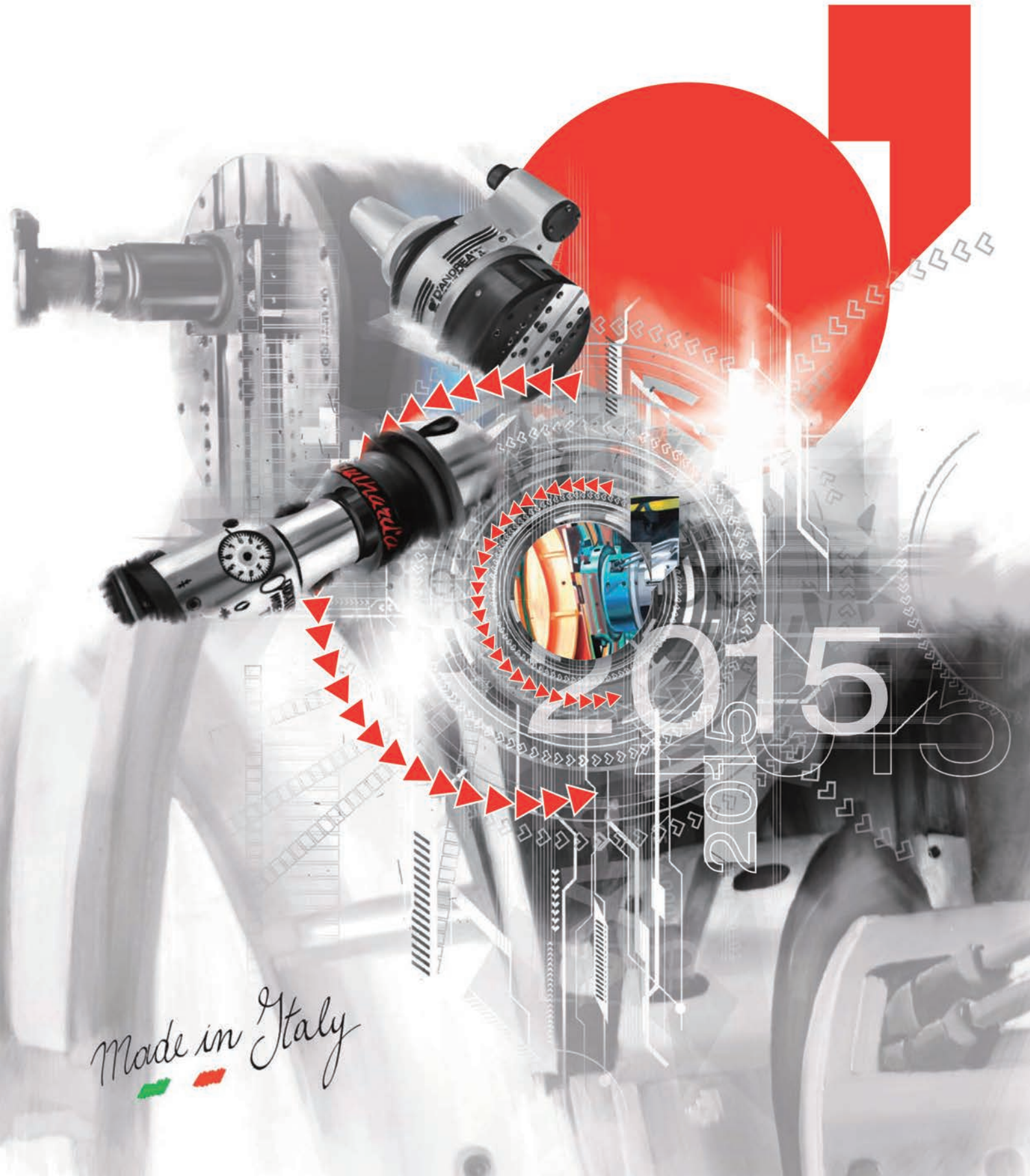
- ★ Holder의 回傳中에는 만지지 말아 주십시오. 다칠 수 있습니다.
- ★ 加工中에는 高熱의 切削 Chip이 됩니다. 切傷, 火傷의 염려가 있으니 安全 Cover, 保護안경을 着用해 주십시오.
- ★ 高壓 Coolant 加工의 절차시 切削工具 先端에 손이나 신체를 가까이 하지 마십시오. 誤操作의 경우 切削工具가 튀어 나갈 수 있습니다.
- ★ Holder등을 本來의 目的 이외에 使用시 改造, 分解하지 않도록 해 주십시오. 事故의 原因이 됩니다.
- ★ Please do not touch during holder's revolution, can be hurt.
- ★ Cutting chip of high temperature bounds during processing. As there is worry of incised wound and burn put safety cover and goggle.
- ★ In the case of malfunction, cutting tool can bound. Therefore, keep hands or body distance from vertical hem of cutting tool on process of high tension coolant.
- ★ Remodeling and disassembly cause and accidents.

## 加工時의 注意 (Attention at processing)

- ★ Chuck類을 長期間 保管하는 경우 切削工具를 分解해 保管해 주십시오. 保持力 低下의 原因이 됩니다. 만약 長期間 保管된 경우에는 Cap을 느슨하게 하고 다시 Chucking을 한 후 가공해 주십시오.
- ★ 切削 Chip은 Air로 깨끗이 불고 防清油를 塗布하여 Taper 부분에 손상을 입지 않도록 保管해 주십시오.
- ★ 以上, 弊社製品을 使用하는데 있어 安全上의 基本的인 注意項目들이나 各製品별에 대한 注意項目은 取扱說明書에 記載되어 있습니다. 製品 使用前에 반드시 取扱說明書を 읽어 주십시오. 그 밖에 詳細한 內容은 弊社에 문의 바랍니다.
- ★ In case of keeping kinds of chuck for a long term, please classify and keep cutting tool. It cause decline of the maintenance power. If it is kept for a long term, let the cap out chuck again before processing.
- ★ Blows cutting clip cleanly by air and spreads rust preventing oil for keeping not to damage for taper segment.
- ★ The facts mentioned above are basic matters that require attention to use our company products safety. Notice of each products are in the instruction manual, before using products, read instructions certainly. for further information, please contact our compan

# D'ANDREA®

TECHNOLOGY FOR HIGH PRECISION



*Made in Italy*







Marino D'Andrea, the founder  
Marino D'Andrea, il fondatore



The first boring and facing head  
La prima testa per sfacciare e alesare

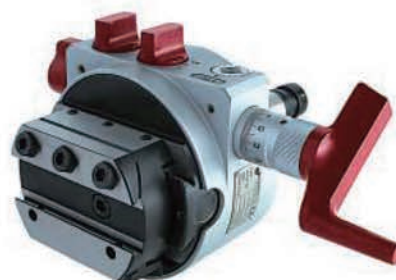


Golden Compass  
award for industrial design



The first D'Andrea logo type (1961)  
Il primo logo tipo di D'Andrea (1961)

- Quality, Experience, Technology, High precision, Innovation, Professional skills are the strongest points that made the firm and the whole D'Andrea production winning on the Italian and the worldwide market.
- Qualità, Esperienza, Tecnologia, Alta precisione, Innovazione, Competenza, sono i punti di forza che hanno reso vincente l'azienda e tutta la produzione D'Andrea sul mercato nazionale ed internazionale.



• A tradition going back over 50 years in the field and a big passion for mechanics have been allowing D'Andrea to go on strengthening its position on domestic and international markets over the years. D'Andrea now has a 30% share of the market for modular systems and a 10% share of the entire toolholders sector (including modular systems), at the top in its sector in Italy. D'Andrea is internationally prominent in the field of large diameters precision boring.

• Una tradizione con più di 50 anni di attività nel settore e una grande passione per la meccanica hanno fatto sì che, nel corso degli anni, D'Andrea consolidasse sempre di più la sua posizione sul mercato nazionale ed internazionale. Attualmente D'Andrea detiene il 30% della quota di mercato dei sistemi modulari e il 10% nell'intero settore dei portautensili (comprensivo anche dei modulari) posizionandosi come leader nazionale. A livello internazionale, D'Andrea detiene la posizione di leadership nell'alesatura di precisione dei grandi diametri.

# D'ANDREA MODULHARD'ANDREA

- INDEX
- INHALTSVERZEICHNIS
- ÍNDICE
- INDEX
- INDICE

- ARBORS
- GRUNDAUFNAHMEN
- ACOPLAMIENTOS BASE
- MANDRINS
- ATTACCHI BASE

- EXTENSIONS REDUCTIONS AND COOLANT FEED
- VERLÄNGERUNGEN, REDUZIERUNGEN UND KÜHLMITTELZUFUHR
- PROLONGACIONES REDUCCIONES Y CONDUCTORES PARA REFRIGERANTE
- RALLONGES-RÉDUCTIONS ET ADDUCTEURS ARROSAGE
- PROLUNGHE RIDUZIONI E ADDUTTORI REFRIGERANTE

- DOUBLE-BIT HEADS
- ZWEISCHNEIDERBOHRKÖPFE
- CABEZALES DE DOS CUCHILLAS
- TÊTES À DOUBLE TRANCHANT
- TESTINE BITAGLIANTI

p.240 • RFR



p.240 • TNT



p.63 • ISO 26623-1 PSC



p.64 • DIN 69871 FC



p.66-67 • DIN 69871



p.70 • ANSI/CAT



p.71 • ISO 50/60 D.60



p.71 • DIN 228/B 1806



p.72 • MR



p.61-62 • HSK DIN 69893



p.63 • ISO 26622-1 KM



p.65 • MAS 403 BT FC



p.68-69 • MAS 403 BT



p.70 • DIN 2080



p.71 • DIN 228/A 2207



p.71 • R8



p.72 • DIN 2079



p.72 • BR



p.73 • BMD



p.74 • PR



p.75 • RD



p.75 • RD



p.76 • RD



p.76 • RAV



p.77 • BLC



p.80-85 • TS . .  
Ø 18 - 200



p.84-85 • SS . .



p.85 • PT



p.98-102-106-120-138 • PS 31



p.98-102-106-120-138 • CW 32



p.99-121-125-129-139 • P25



p.103-107 • P22



p.123-127-141-145 • P20.30



p.124-128-132-142-146 • PS



p.125-129-131-143-147 • P



p.97-101-105-111-113-119 • B . .  
p.123-127-137-141-145



p.241 • KIT K20.50  
Ø 6 - 30





• TESTAROSSA

p.88-91 • **TRD 25-80**  
Ø 28 - 120



p.91 • **SS. . - SF. .**

p.92-95 • **TRC 14-40**  
Ø 14.5 - 66



p.95 • **SF. .**

p.96-99 • **TRC 50** • **KIT K01**  
Ø 2.5 - 110 Ø 6 - 110



p.100-103 • **TRC 63** • **KIT K01**  
Ø 6 - 125 Ø 6 - 125



p.104-107 • **TRC 80** • **KIT K01**  
Ø 6 - 125 Ø 6 - 200



p.99-103-107 • **SF. .**



p.108-111 • **TRC 32 HS** • **KIT K01**  
Ø 2.5 - 18 Ø 2.5 - 12



p.108-111 • **TRM 32 HSB** • **KIT K01**  
Ø 2.5 - 18 Ø 2.5 - 12



p.112-113 • **TRC 50 HS** • **KIT K01**  
Ø 2.5 - 22 Ø 6 - 22



p.112-113 • **TRM 50 HSB** • **KIT K01**  
Ø 2.5 - 22 Ø 6 - 22



p.114-117 • **TRM 16-40**  
Ø 18 - 63



p.117 • **SF. .**

p.118-121 • **TRM 50** • **KIT K01**  
Ø 2.5 - 108 Ø 6 - 108



p.122-125 • **TRM 50/63** • **KIT K01**  
• **TRM 63/63** Ø 2.5 - 125 Ø 6 - 125



p.126-129 • **TRM 50/80** • **KIT K01**  
• **TRM 80/80** Ø 2.5 - 160 Ø 6 - 220



p.130-133 • **TRM 80/125**  
Ø 36 - 500



• **KIT K01**  
Ø 36 - 410

p.134-139 • **TR 50 PSC 40**  
• **TR 50 PSC 50**  
• **TR 50 PSC 63**  
Ø 2.5 - 108



• **KIT K01**  
Ø 6 - 108

p.140-147 • **TR 63 PSC 63** • **KIT K01**  
• **TR 80 PSC 80** Ø 2.5 - 160 Ø 6 - 220



• **KIT K01**  
Ø 6 - 220

p.121-125-129-133 • **SF. .**  
p.139-143-147



p.148-153 • **BPS . . . .**  
Ø 200 -2800



p.154 • **TR 200**  
Ø 200 -2800



p.155 • **SF. .**

p.155 • **SS. .**



p.154 • **CW** p.154 • **PRL**



p.156 • **TP** p.156 • **PC**



p.157 • **TU** p.157 • **AS..45°**



p.158-159 • **INSERT . . . .**



p.160-161 • **INFO**



p.253 • **Win Tool**

- CHUCKING TOOLS
- ADAPTER
- ADAPTADORES
- ADAPTATEURS
- ADATTATORI

p.170 • **PE**



p.170 • **MHD FORCE**



p.171 • **AW**



p.172 • **PF**



p.173 • **CM**



p.174 • **AM**



p.174 • **B16**



p.174 • **NS**



p.175 • **ACR/NC**



p.175 • **ACR**





# D'ANDREA MODULHARD'ANDREA

- WHAT IS MHD'?
- WAS IST DAS MHD'?
- ¿QUÉ ES EL MHD'?
- QU'EST-CE QUE LE MHD'?
- COS'È L'MHD'?



**KR** MHD는 매우 견고하고 유연성이 필요한 보링, 밀링, 드릴링, 탭핑 작업을 하는 머신닝센터에서 적합한 초정밀 모듈러 시스템을 틀 출더 입니다. 원통 모양과 원뿔 모양의 홀더의 연결은 11개 크기로 구성되어 있으며 basic arbor인 HSK, BT, DIN, 캠프 샹크, 익스텐션, 리덕션 그리고 아답터를 포함한 모든 요소들을 호환하며 사용할 수 있습니다. 직경 2.5mm ~ 2800mm의 광범위한 보링작업은 MHD 라인을 가지고 황삭 작업과 2마이크론 미세 조정이 가능한 정삭 작업을 완벽하게 가공할 수 있습니다.

**GB** High precision modular toolholders for machine tools and machining centers that allow boring, milling, drilling, and tapping operations to be carried out with extreme flexibility and rigidity. The cylindrical-conical coupling comes in eleven, sizes, ensuring the interchangeability of all the elements of the system that includes the base arbors HSK, DIN, BT, CAT and Polygon-shank, toolholder extensions, reductions, and adapters. The broad boring program for machining diameters from 2.5 to 2800 mm completes the MHD' line with roughing double-bit heads and centesimal and micrometric Testarossa finishing heads with a 2µm sensitivity adjustment.

**D** Modulare Hochpräzisions-Werkzeughalter für Werkzeugmaschinen und Bearbeitungszentren, die mit extremer Flexibilität und Starre Ausbohr-, Fräs-, Bohr-, und Gewindebohrarbeiten ermöglichen. Die zylindrisch-konische Verbindung in elf Größen garantiert die Austauschbarkeit aller Elemente des Systems, das Basisanschlüsse HSK, DIN, BT und CAT und Polygon-shank Verlängerungen, Reduktionen und Adapter für Werkzeughalter mit einschließt. Das vielseitige Ausbohrprogramm zur Bearbeitung von Durchmessern von 2,5 bis 2800 mm, vervollständigt die Linie MHD' mit den zweischneidigen Grobbearbeitungsköpfen und den zentesimalen und mikrometrischen Feinbearbeitungsköpfen Testarossa mit einer Einstellfeinheit von 2µm.

**E** Portaherramientas modulares de alta precisión para máquinas herramientas y centros de mecanizado que permiten efectuar con extrema flexibilidad y rigidez, operaciones de mandrinado, fresado, taladrado y roscado. El acoplamiento cilíndrico-cónico disponible en once tamaños, garantiza la intercambiabilidad de todos los elementos del sistema, que incluye uniones base HSK, DIN, BT y CAT y Polygon-shank, prolongadores, reducciones y adaptadores portaherramientas. El amplio programa de mandrinado para la elaboración de diámetros de 2,5 a 2800 mm, completa la línea MHD' con los cabezales de desbaste de doble cuchilla y los cabezales de acabado centesimales y micrométricos Testarossa con sensibilidad de ajuste de 2µm.

**I** Portautensili modulari di alta precisione per macchine utensili e centri di lavoro che consentono di eseguire con estrema flessibilità e rigidità, operazioni di alesatura, fresatura, foratura e maschiatura. L'accoppiamento cilindrico-conico disponibile in undici grandezze, garantisce l'intercambiabilità di tutti gli elementi del sistema, che include attacchi base HSK, DIN, BT, CAT e Polygon-shank, prolunghe, riduzioni e adattatori portautensili. Il ricco programma di alesatura per la lavorazione di diametri da 2,5 a 2800 mm, completa la linea MHD' con le testine di sgrossatura bitaglianti e le testine di finitura centesimali e micrometriche Testarossa con sensibilità di regolazione di 2µm.



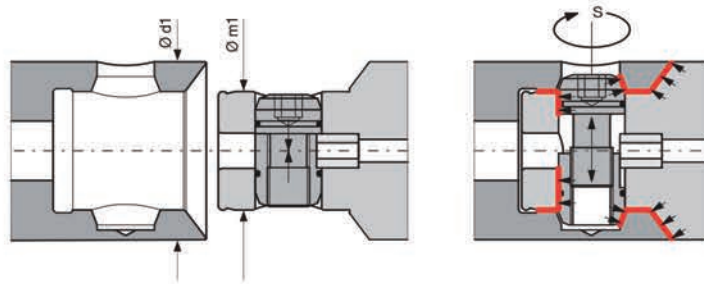
**KR** MHD의 연결은 밀링과 보링작업동안 최고의 견고함을 보증하기 때문에 MHD 툴링 시스템의 핵심입니다.  
MHD 연결은 특허된 원기둥, 원뿔모양의 홀더의 연결 및 고정, 크램핑을 위한 원통 모양의 익스텐딩 볼트에 의해서 완성됩니다.

**GB** The MHD' coupling is the heart of the tool system as it ensures utmost rigidity and concentricity during milling and boring operations. This is achieved by the (patented) cylindrical-conical fit and by a radial expanding bolt for clamping and driving.

**D** Die MHD' Kupplung ist das Kernstück des MODULHARD'ANDREA, da sie maximale Starrheit und Konzentrizität beim Fräsen und Bohren sichert. Das wird durch die (patentierte) zylindrisch-konische Passfläche und den radialen Spreizbolzen für Axialspannung und Mitnahme erreicht.

**E** El acoplamiento MHD' es el punto de fuerza del MODULHARD'ANDREA, porque permite fresar y mandrinar con la máxima rigidez y concentricidad, gracias al acoplamiento (patentado) cilíndrico-cónico y al perno radial expansible para el bloqueo axial y el arrastre.

**I** L'attacco MHD' è il punto di forza del Modulhard'andrea perché consente di fresare ed alesare con massima rigidità e concentricità grazie all'accoppiamento (brevettato) cilindrico-conico e al perno radiale espandibile per il bloccaggio assiale e il trascinamento.



MHD'	Ø d1	Ø m1	S	Nm
MHD' 14	14	10	2,5	2 - 2,5
MHD' 16	16			
MHD' 20	20	13	3	4 - 4,5
MHD' 25	25	16	3	6,5 - 7,5
MHD' 32	32	20	4	7 - 8
MHD' 40	40	25	5	16 - 18
MHD' 50	50	32	6	30 - 35
MHD' 63	63	42	8	70 - 80
MHD' 80	80			
MHD' 110	110	76	14	200 - 220
MHD' 140	140			

- GENERAL INFORMATIONS
- ALLGEMEINES
- INFORMACIONES GENERALES
- GENERALITES
- INFORMAZIONI GENERALI

- KR** 1 툴 클램프에 기본 아바를 위치 시킨다.  
2 구성품의 익스텐딩 핀이 돌출되지 않는 것을 확인하고 필요한 구성품(어댑터, 익스텐션, 보링헤드)을 아바에 넣는다.  
3 제공된 렌치나 토크렌치로 익스텐딩 핀을 시계 방향으로 돌려서 완전히 고정시킨다.

**GB Assembly:** Secure the arbor to a rigid support. Fit the required component (adaptor, extension, boring head etc.) to the arbor ensuring that the radial expanding pin does not project from the cylindrical part. Clamp the component by turning the radial pin clockwise with the exagonal wrench provided or with a torque wrench. **Disassembly:** secure the arbor to a rigid support. Unlock the radial pin by turning it counterclockwise.

**D Montage:** Die Grundaufnahme in einer Halterung befestigen. Gewünschtes Komponente (Reduzierung, Verlängerun, Ausdrehkopf usw.) einsetzen. Darauf achten, dass der radiale Spreizbolzen nicht aus dem zylindrischen Teil heraus ragt. Element durch Rechtsdrehen des Spreizbolzens mit dem mitgelieferten Sechskantschlüssel oder einem Drehmomentschlüssel festklemmen. **Demontage:** Grundaufnahme in einer Halterung befestigen. Spreizbolzen durch Linksdrehen lösen.

**E Montaje:** Asegurar el acoplamiento base en un soporte. Montar el elemento deseado (reducción, prolongación, cabezal para mandrinar etc.) asegurándose que el perno radial no sobresalga del núcleo cilíndrico. Fijar girando en sentido horario el perno radial con la llave exagonal en dotación o con una llave torsiométrica. **Desmontaje:** Asegurar el acoplamiento base en un soporte. Desbloquear, girando a fondo en sentido antihorario, el perno radial.

**I Montaggio:** Assicurare l'attacco base in un supporto. Montare l'elemento desiderato (riduzione, prolunga, testina per alesare ecc.) assicurandosi che il perno radiale non sporga dal mozzo cilindrico. Bloccare ruotando in senso orario il perno radiale con la chiave esagonale in dotazione o con una chiave torsiométrica. **Smontaggio:** Assicurare l'attacco base in un supporto. Sbloccare, ruotando a fondo in senso antiorario, il perno radiale.



# D'ANDREA MODULHARD'ANDREA

- ARBORS EXTENSIONS REDUCTIONS
- GRUNDAUFNAHMEN VERLÄNGERUNGEN REDUZIERUNGEN
- ACOPLAMIENTOS BASE PROLONGACIONES REDUCCIONES
- MANDRINS RALLONGES RÉDUCTIONS
- ATTACCHI BASE PROLUNGHE RIDUZIONI

**KR** **아바** D'ANDREA는 DIN69871 A-B, MAS 403BT, DIN 2080, ANSI-CAT, ISO 26623-1등 모든 규격의 아바를 AT3 공차로 생산합니다. D'ANDREA는 직경 125mm이상, 250mm 이상의 깊이의 홀가공시 MHD80,110,140 사용을 권장합니다. 익스텐션(EXTENSIONS) 다양한 길이의 익스텐션들은 가공 깊이에 따라 유연하게 적용할 수 있도록 각각의 MHD 규격에 연결하여 사용할 수 있습니다. 리덕션(REDUCTION) 작은 규격의 MHD 구성 요소들을 리덕션으로 연결하여 큰 규격의 구성요소들과 연결하여 사용할 수 있습니다.

**GB** **ARBORS.** Arbors are manufactured in accordance with DIN 69871 A-B, MAS 403 BT, DIN 2080, ANSI-CAT, DIN 69893-A, ISO 26623-1 and are made of carburized steel, hardened and ground to AT3 tolerance. Arbor sizes MHD' 80, 110 and 140 are recommended for heavy milling and for bores deeper than 250 mm and exceeding 125 mm diameter. Special arbors are available on request.

**EXTENSIONS.** Extensions of various lengths are available for each MHD' size, allowing greater flexibility in machining depth.

**REDUCTIONS.** MHD' components of a smaller size can be used by means of adaptor sleeves which allow greater interchangeability and ensure tool rigidity.

**D** **GRUNDAUFNAHMEN.** Die Grundaufnahmen entsprechen den Normen DIN 69871 A-B, MAS 403 BT, DIN 2080, ANSI-CAT, DIN 69893-A, ISO 26623-1. Sie werden aus Einsatzstahl gefertigt, gehärtet und auf Toleranz AT3 geschliffen. Für schwere Fräsarbeiten und Bohrungen mit Tiefen über 250 mm und Durchmesser über 125 mm ist der Einsatz von Grundaufnahmen Größe MHD' 80, 110 und 140 zweckmäßig. Grundaufnahmen in Sonderausführung sind auf Anfrage lieferbar.

**VERLÄNGERUNGEN.** Für jede MHD' Größe sind Verlängerungen verschiedener Länge vorhanden, die eine größere Anpassungsfähigkeit an die Bearbeitungstiefe ermöglichen.

**REDUZIERUNGEN.** Die Reduzierungen ermöglichen die Verwendung der Komponenten kleinerer MHD' Größen. Damit ist eine umfassende Austauschbarkeit und größere Steifigkeit gegeben.

**E** **ACOPLAMIENTOS BASE.** Los acoplamiento son realizados según las normas DIN 69871 A-B, MAS 403 BT, DIN 2080, ANSI-CAT, DIN 69893-A, ISO 26623-1 y son construidos en acero cementado, templado y rectificado según tabla AT3. El empleo de acoplamiento con tamaños MHD' 80, 110 y 140 son aconsejables para operaciones de fuerte fresado y para los mandrinados profundos, por encima de los 250 mm con diámetros superiores a 125 mm. A petición, se pueden construir acoplamiento especiales.

**PROLONGACIONES.** Para cada tamaño de MHD' existen prolongaciones de diferentes longitudes que permiten optimizar las profundidades de mecanización deseadas.

**REDUCCIONES.** Las reducciones permiten utilizar componentes de un tamaño MHD' más pequeño y, por lo tanto, tener mayor intercambiabilidad y estabilidad de la herramienta.

**I** **ATTACCHI BASE.** Gli attacchi sono realizzati secondo le norme DIN 69871 A-B, MAS 403 BT, DIN 2080, ANSI-CAT, DIN 69893-A, ISO 26623-1 e sono costruiti in acciaio cementato, temperato e rettificato secondo la tabella AT3. L'impiego di attacchi con grandezze MHD' 80, 110 e 140 sono consigliati per operazioni di fresatura pesante e per alesature profonde oltre i 250 mm con diametri superiori a 125 mm. A richiesta si possono costruire attacchi speciali.

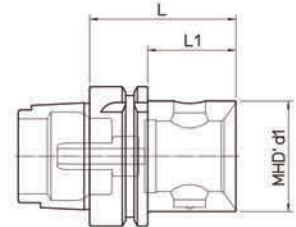
**PROLUNGHE.** Per ogni grandezza di MHD' esistono prolunghe di differenti lunghezze che consentono di ottimizzare le profondità di lavorazione desiderate.

**RIDUZIONI.** Le riduzioni permettono di utilizzare componenti di una grandezza MHD' più piccola e quindi avere maggiore intercambiabilità e stabilità dell'utensile.



- ARBORS
- GRUNDAUFNAHMEN
- ACOPLAMIENTOS BASE
- MANDRINS
- ATTACCHI BASE

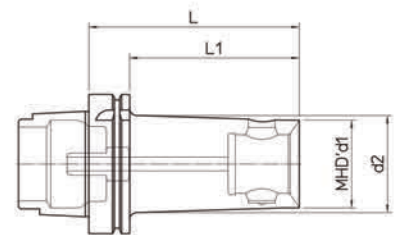
## DIN 69893 HSK-A



- Supplied with coolant tube
- Lieferung inklusive Kühlmittelrohr
- Completo con racor para el refrigerante
- Pourvu de raccord pour liquide d'arrosage
- Completo di raccordo per il refrigerante

HSK-A	REF.	CODE	MHD' d <sub>1</sub>	L	L <sub>1</sub>	kg
40	HSK-A40 MHD'32.48	41 6 32 15 040 20	32	48	28	0.4
50	HSK-A50 MHD'50.66	41 6 50 15 050 20	50	66	-	0.6
63	HSK-A63 MHD'40.60	41 6 40 15 063 20	40	60	34	0.7
	HSK-A63 MHD'50.66	41 6 50 15 063 20	50	66	40	0.9
	HSK-A63 MHD'63.75	41 6 63 15 063 20	63	75	-	1.1
80	HSK-A80 MHD'50.70	41 6 50 15 080 20	50	70	44	1.5
	HSK-A80 MHD'63.80	41 6 63 15 080 20	63	80	54	1.8
	HSK-A80 MHD'80.86	41 6 80 15 080 20	80	86	-	2.1
100	HSK-A100 MHD'50.72	41 6 50 15 100 20	50	72	43	2.4
	HSK-A100 MHD'63.82	41 6 63 15 100 20	63	82	53	2.7
	HSK-A100 MHD'80.88	41 6 80 15 100 20	80	88	59	3

## DIN 69893 HSK-A



- Supplied with coolant tube
- Lieferung inklusive Kühlmittelrohr
- Completo con racor para el refrigerante
- Pourvu de raccord pour liquide d'arrosage
- Completo di raccordo per il refrigerante

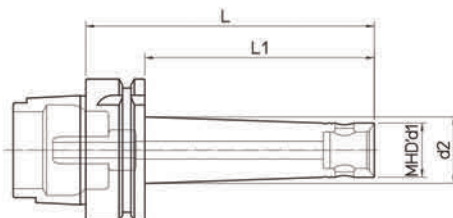
HSK-A	REF.	CODE	MHD' d <sub>1</sub>	d <sub>2</sub>	L	L <sub>1</sub>	kg
63	HSK-A63 MHD'40.120	41 6 40 15 063 28	40	46	120	94	1.4
	HSK-A63 MHD'50.120	41 6 50 15 063 28	50	-			1.7
100	HSK-A100 MHD'50.120	41 6 50 15 100 28	50	60	150	121	3.2
	HSK-A100 MHD'63.150	41 6 63 15 100 28	63	70			4.5
	HSK-A100 MHD'80.180	41 6 80 15 100 28	80	-			180



# D'ANDREA MODULHARD'ANDREA

- ARBORS
- GRUNDAUFNAHMEN
- ACOPLAMIENTOS BASE
- MANDRINS
- ATTACCHI BASE

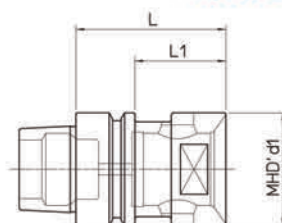
## DIN 69893 HSK-A



- Supplied with coolant tube
- Lieferung inklusive Kühlmittelrohr
- Completo con racor para el refrigerante
- Pourvu de raccord pour liquide d'arrosage
- Completo di raccordo per il refrigerante

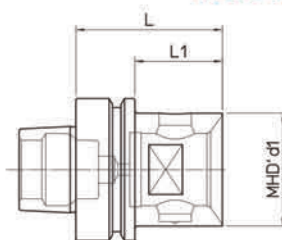
HSK-A	REF.	CODE	MHD' d1	d2	L	L1	kg
63	HSK-A63 MHD'16.63	41 6 16 06 563 20	16	17	63	37	0.7
	HSK-A63 MHD'16.100	41 6 16 10 563 20		19.5	100	74	0.8
	HSK-A63 MHD'20.63	41 6 20 06 563 20	20	-	63	37	0.6
	HSK-A63 MHD'20.90	41 6 20 09 563 20		22.5	90	64	0.8
	HSK-A63 MHD'20.125	41 6 20 12 563 20		25	125	99	0.9
	HSK-A63 MHD'25.63	41 6 25 06 563 20	25	-	63	37	0.7
	HSK-A63 MHD'25.90	41 6 25 09 563 20		27	90	64	0.9
	HSK-A63 MHD'25.125	41 6 25 12 563 20		29.5	125	99	1
	HSK-A63 MHD'32.90	41 6 32 09 563 20		32	33.5	90	64
	HSK-A63 MHD'32.125	41 6 32 12 563 20	36		125	99	1.2

## DIN 69893 HSK-E



HSK-E	REF.	CODE	MHD' d1	L	L1	kg
40	HSK-E40 MHD'32.42	41 6 32 15 040 25	32	42	22	0.5
50	HSK-E50 MHD'50.66	41 6 50 15 050 25	50	66	-	0.6
63	HSK-E63 MHD'50.66	41 6 50 15 063 25			40	0.9

## DIN 69893 HSK-F



HSK-F	REF.	CODE	MHD' d1	L	L1	kg
63	HSK-F63 MHD'50.65	41 6 50 15 063 26	50	65	39	0.8





- ARBORS
- GRUNDAUFNAHMEN
- ACOPLAMIENTOS BASE
- MANDRINS
- ATTACCHI BASE

## ISO 26623-1 PSC



fig.1

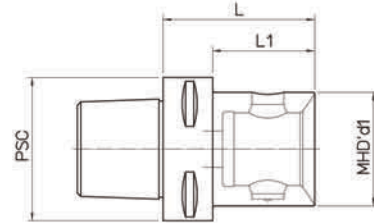
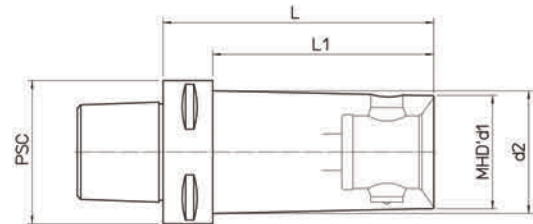
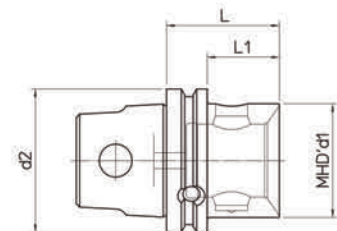


fig.2



PSC	REF.	CODE	MHD' d <sub>1</sub>	d <sub>2</sub>	L	L <sub>1</sub>	Kg.	fig.
40	PSC 40 - MHD' 32.42	41 6 32 26 040 04	32	-	42	22	0.3	1
	PSC 40 - MHD' 40.45	41 6 40 26 040 04	40		45	-	0.4	
50	PSC 50 - MHD' 50.55	41 6 50 26 050 05	50	-	55	-	0.8	1
63	PSC 63 - MHD' 40.50	41 6 40 26 063 05	40		44	120	98	
	PSC 63 - MHD' 40.120	41 6 40 26 063 12	50	-	55	33	0.8	1
	PSC 63 - MHD' 50.55	41 6 50 26 063 05		54	67	45	1.1	1
	PSC 63 - MHD' 50.67	41 6 50 26 063 06	54		120	98	1.9	2
	PSC 63 - MHD' 50.120	41 6 50 26 063 12	63	-	77	-	1.8	1
	PSC 63 - MHD' 63.77	41 6 63 26 063 07		77	-	1.8	1	
80	PSC 80 - MHD' 50.60	41 6 50 26 080 06	50	-	60	30	2	1
	PSC 80 - MHD' 50.120	41 6 50 26 080 12	50	54	120	90	2.8	
	PSC 80 - MHD' 63.70	41 6 63 26 080 07	63	-	70	40	2.3	1
	PSC 80 - MHD' 63.150	41 6 63 26 080 15		67	150	120	4	2
	PSC 80 - MHD' 80.75	41 6 80 26 080 07	80	-	75	-	2.6	1
	PSC 80 - MHD' 80.120	41 6 80 26 080 12		80	-	120	-	
100	PSC 100 - MHD' 80.80	41 6 80 26 100 08	110	-	80	44	3.5	1
	PSC 100 - MHD' 110.120	41 6 91 26 100 12		110	-	120	84	

## ISO 26622-1 KM



KM	REF.	CODE	MHD' d <sub>1</sub>	d <sub>2</sub>	L	L <sub>1</sub>	kg
63	RD KM - MHD' 50.50	65 70 950 0506 3	50	63	50	32	0.8
	RD KM - MHD' 63.70	65 70 963 0506 3	63		70	-	1.2

# D'ANDREA

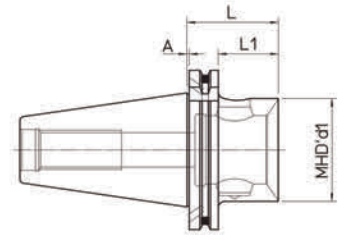
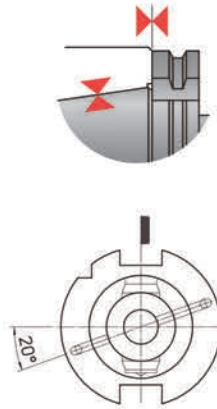
## MODULHARD'ANDREA

### FACE CONTACT

- ARBORS
- GRUNDAUFNAHMEN
- ACOPLAMIENTOS BASE
- MANDRINS
- ATTACCHI BASE

### DIN 69871 FC

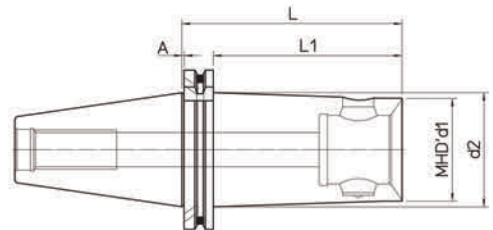
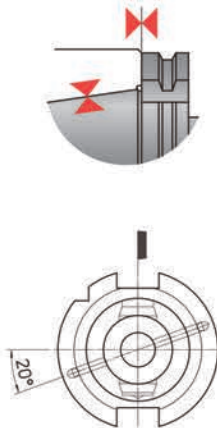
#### FACE CONTACT AD+B



DIN	REF.	CODE	MHD' d <sub>1</sub>	A	L	L <sub>1</sub>	Kg.
40	DIN69871-AD+B40 FC MHD'50.48	41 6 50 01 040 21F	50	1	48	29	0.9
	DIN69871-AD+B40 FC MHD'63.80	41 6 63 01 040 21F	63		80	-	1.5
50	DIN69871-AD+B50 FC MHD'50.48	41 6 50 01 050 21F	50	1.5	48	29	2.5
	DIN69871-AD+B50 FC MHD'63.56	41 6 63 01 050 21F	63		56	37	2.8
	DIN69871-AD+B50 FC MHD'80.62	41 6 80 01 050 21F	80		62	43	3.4

### DIN 69871 FC

#### FACE CONTACT AD+B

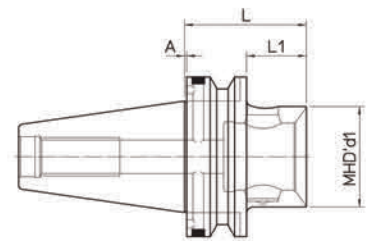
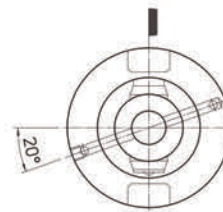
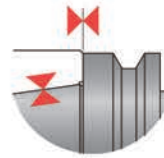


DIN	REF.	CODE	MHD' d <sub>1</sub>	d <sub>2</sub>	A	L	L <sub>1</sub>	Kg.
40	DIN69871-AD+B40 FC MHD'50.120	41 6 50 01 040 28F	50	-	1	120	101	1.7
50	DIN69871-AD+B50 FC MHD'50.120	41 6 50 01 050 28F		59				3.5
	DIN69871-AD+B50 FC MHD'50.200	41 6 50 01 050 27F	68	6.1				
	DIN69871-AD+B50 FC MHD'63.150	41 6 63 01 050 28F	75.5	5.2				
	DIN69871-AD+B50 FC MHD'63.250	41 6 63 01 050 27F	80	7.1				
	DIN69871-AD+B50 FC MHD'80.180	41 6 80 01 050 28F	80	180	6.9			
	DIN69871-AD+B50 FC MHD'80.300	41 6 80 01 050 27F		300	9.2			
	DIN69871-AD+B50 FC MHD'110.150	41 6 91 01 050 21F		150	7.6			
	DIN69871-AD+B50 FC MHD'110.250	41 6 91 01 050 28F	110	250	9.5			



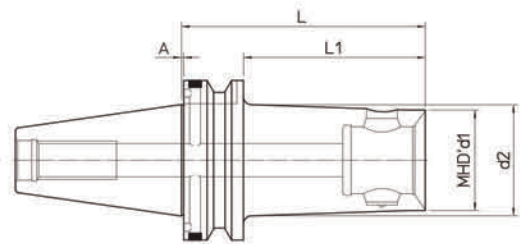
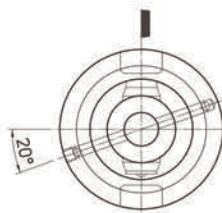
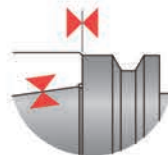
- ARBORS
- GRUNDAUFNAHMEN
- ACOPLAMIENTOS BASE
- MANDRINS
- ATTACCHI BASE

## MAS 403 BT FC FACE CONTACT AD+B



DIN	REF.	CODE	MHD' d <sub>1</sub>	A	L	L <sub>1</sub>	Kg.
40	MAS403 BT40 FC AD+B MHD'50.48	41 6 50 01 040 31F	50	1	48	21	0.9
	MAS403 BT40 FC AD+B MHD'63.66	41 6 63 01 040 31F	63		66	-	1.2
50	MAS403 BT50 FC AD+B MHD'50.66	41 6 50 01 050 31F	50	1.5	75	28	3.2
	MAS403 BT50 FC AD+B MHD'63.75	41 6 63 01 050 31F	63			37	3.7
	MAS403 BT50 FC AD+B MHD'80.75	41 6 80 01 050 31F	80			4	

## MAS 403 BT FC FACE CONTACT AD+B

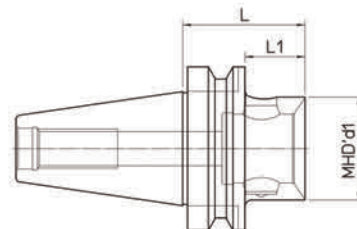
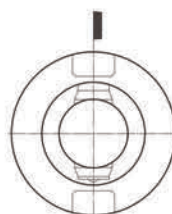


DIN	REF.	CODE	MHD' d <sub>1</sub>	d <sub>2</sub>	A	L	L <sub>1</sub>	Kg.
40	MAS403 BT40 FC AD+B MHD'50.120	41 6 50 01 040 38F	50	-	1	120	93	1.9
50	MAS403 BT50 FC AD+B MHD'50.120	41 6 50 01 050 38F		57.5			82	4.2
	MAS403 BT50 FC AD+B MHD'50.200	41 6 50 01 050 37F	66	200	162	4.5		
	MAS403 BT50 FC AD+B MHD'63.150	41 6 63 01 050 38F	73.5	150	112	5.8		
	MAS403 BT50 FC AD+B MHD'63.250	41 6 63 01 050 37F	84	250	212	6.1		
	MAS403 BT50 FC AD+B MHD'80.180	41 6 80 01 050 38F	80	-	1.5	180	142	7.5
	MAS403 BT50 FC AD+B MHD'80.300	41 6 80 01 050 37F				300	262	9.2
	MAS403 BT50 FC AD+B MHD'110.150	41 6 91 01 050 31F	110	-	1.5	150	-	8.1
	MAS403 BT50 FC AD+B MHD'110.250	41 6 91 01 050 38F				250	-	9.5



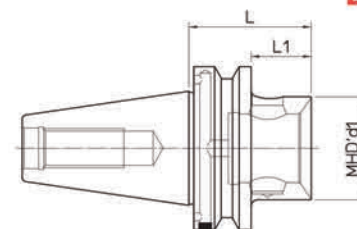
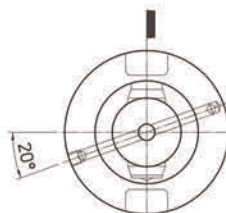
- ARBORS
- GRUNDAUFNAHMEN
- ACOPLAMIENTOS BASE
- MANDRINS
- ATTACCHI BASE

### MAS 403 BT



BT	REF.	CODE	MHD' d <sub>1</sub>	L	L <sub>1</sub>	kg
30	MAS403 BT30 MHD'32.32	41 6 32 01 030 30	32	32	10.5	0.5
	MAS403 BT30 MHD'40.35.5	41 6 40 01 030 30	40	35.5	14	0.6
	MAS403 BT30 MHD'50.60	41 6 50 01 030 30	50	60	-	0.7
35	MAS403 BT35 MHD'50.60	41 6 50 01 035 30			36	0.8
40	MAS403 BT40 MHD'40.45	41 6 40 01 040 30	40	45	18	0.6
	MAS403 BT40 MHD'50.38.5	41 6 50 01 040 39	50	38.5	11.5	0.8
	MAS403 BT40 MHD'50.48	41 6 50 01 040 30		48	21	0.9
	MAS403 BT40 MHD'50.56	41 6 50 01 040 80	56	29	1.1	
	MAS403 BT40 MHD'63.66	41 6 63 01 040 30	63	66	-	1.2
45	MAS403 BT45 MHD'50.62	41 6 50 01 045 30	50	62	29	1.7
	MAS403 BT45 MHD'63.70	41 6 63 01 045 30	63	70	37	2.3
	MAS403 BT45 MHD'80.70	41 6 80 01 045 30	80			2.7
50	MAS403 BT50 MHD'50.66	41 6 50 01 050 30	50	66	28	3.3
	MAS403 BT50 MHD'63.50	41 6 63 01 050 39	63	50	12	3.4
	MAS403 BT50 MHD'63.75	41 6 63 01 050 30		75	37	3.7
	MAS403 BT50 MHD'80.50	41 6 80 01 050 39	80	50	12	3.8
	MAS403 BT50 MHD'80.75	41 6 80 01 050 30		75	37	4
	MAS403 BT50 MHD'110.140	41 6 91 01 050 30	110	140	-	6.8
	MAS403 BT50 MHD'140.150	41 6 94 01 050 30	140	150	-	9.2
60	MAS403 BT60 MHD'110.110	41 6 91 01 060 30	110	110	63	11.5
	MAS403 BT60 MHD'110.200	41 6 91 01 060 38	140	200	152	18.1
	MAS403 BT60 MHD'140.100	41 6 94 01 060 30		100	52	12.9
	MAS403 BT60 MHD'140.250	41 6 94 01 060 38	250	202	30.1	

### MAS 403 BT B

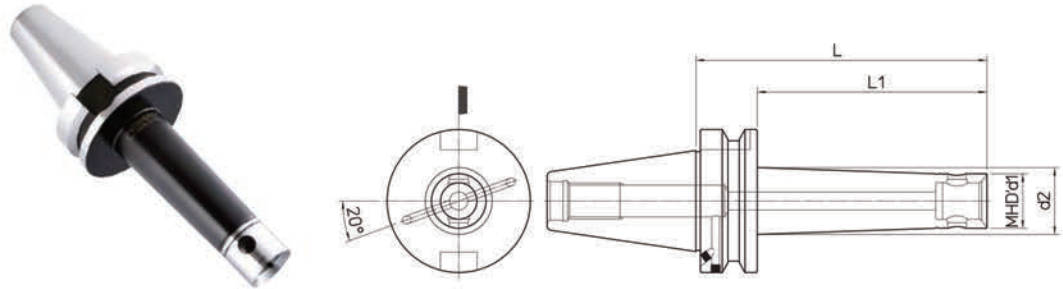


BT	REF.	CODE	MHD' d <sub>1</sub>	L	L <sub>1</sub>	kg
40	MAS403 BT40B MHD'50.48	41 6 50 01 040 31	50	48	21	0.9
	MAS403 BT40B MHD'63.66	41 6 63 01 040 31	63	66	-	1.2
50	MAS403 BT50B MHD'50.66	41 6 50 01 050 31	50	66	28	3.5
	MAS403 BT50B MHD'63.75	41 6 63 01 050 31	63	75	37	3.7
	MAS403 BT50B MHD'80.75	41 6 80 01 050 31	80			4



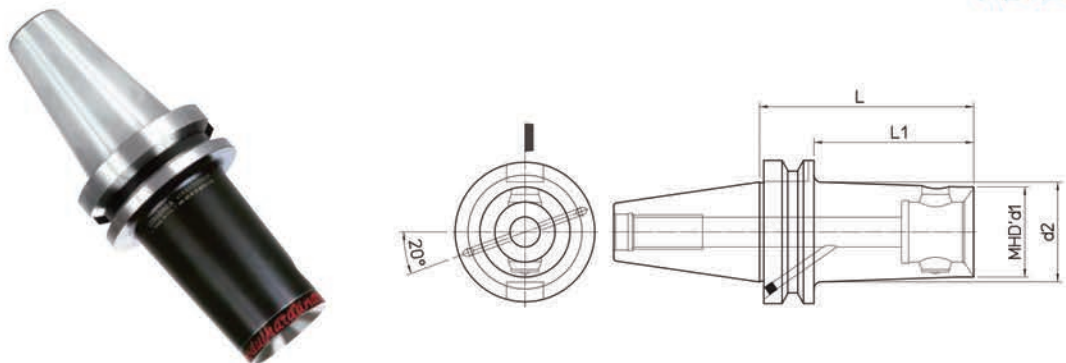
- ARBORS
- GRUNDAUFNAHMEN
- ACOPLAMIENTOS BASE
- MANDRINS
- ATTACCHI BASE

## MAS 403 BT AD+B



BT	REF.	CODE	MHD' d <sub>1</sub>	d <sub>2</sub>	L	L <sub>1</sub>	kg
40	MAS403 BT40-AD+B MHD'16.45	41 6 16 04 140 31	16	-	45	18	0.8
	MAS403 BT40-AD+B MHD'16.63	41 6 16 06 140 31		17	63	36	0.9
	MAS403 BT40-AD+B MHD'16.100	41 6 16 10 140 31		19.5	100	73	1
	MAS403 BT40-AD+B MHD'20.50	41 6 20 05 140 31	20	-	50	23	0.9
	MAS403 BT40-AD+B MHD'20.80	41 6 20 08 140 31		22	80	53	1
	MAS403 BT40-AD+B MHD'20.125	41 6 20 12 140 31		25	125	98	1.1
	MAS403 BT40-AD+B MHD'25.50	41 6 25 05 140 31	25	-	50	23	1
	MAS403 BT40-AD+B MHD'25.80	41 6 25 08 140 31		26.5	80	53	1.1
	MAS403 BT40-AD+B MHD'25.125	41 6 25 12 140 31		29.5	125	98	1.2
	MAS403 BT40-AD+B MHD'32.50	41 6 32 05 140 31	32	-	50	23	1.1
	MAS403 BT40-AD+B MHD'32.80	41 6 32 08 140 31		33	80	53	1.2
	MAS403 BT40-AD+B MHD'32.125	41 6 32 12 140 31		36	125	98	1.4

## MAS 403 BT AD+B

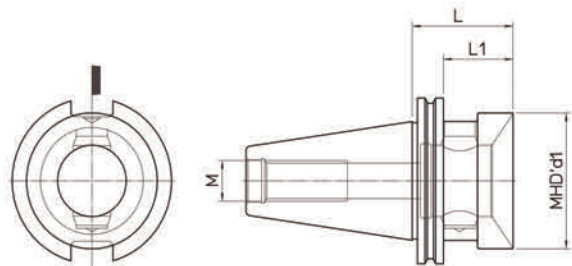


BT	REF.	CODE	MHD' d <sub>1</sub>	d <sub>2</sub>	L	L <sub>1</sub>	kg
40	MAS403 BT40-AD+B MHD'40.120	41 6 40 01 040 38	40	44.5	120	93	0.9
	MAS403 BT40-AD+B MHD'50.120	41 6 50 01 040 38	50	-			1.9
50	MAS403 BT50-AD+B MHD'50.120	41 6 50 01 050 38		60	-	82	4.2
	MAS403 BT50-AD+B MHD'63.150	41 6 63 01 050 38	63	70	150	112	5.8
	MAS403 BT50-AD+B MHD'80.180	41 6 80 01 050 38	80	-	180	142	7.5



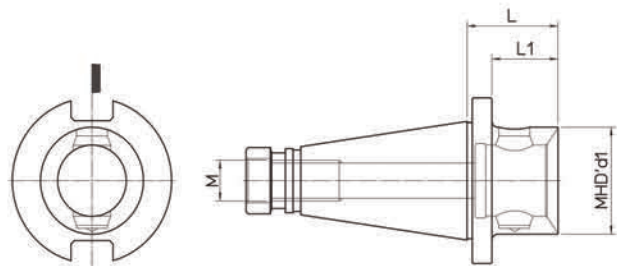
- ARBORS
- GRUNDAUFNAHMEN
- ACOPLAMIENTOS BASE
- MANDRINS
- ATTACCHI BASE

### ANSI/CAT



ANSI/CAT	REF.	CODE	MHD' d1	L	L1	M	kg
40	ANSI/CAT40 MHD'50.66	41 6 50 01 040 40	50	66	47	M16	1.1
	ANSI/CAT40 MHD'63.100	41 6 63 01 040 40	63	100	-		1.9
45	ANSI/CAT45 MHD'50.48	41 6 50 01 045 40	50	48	29	M20	1.7
	ANSI/CAT45 MHD'63.75	41 6 63 01 045 40	63	75	56		2.1
	ANSI/CAT45 MHD'80.80	41 6 80 01 045 40	80	80	-		2.7
50	ANSI/CAT50 MHD'50.48	41 6 50 01 050 40	50	48	29	M24	2.4
	ANSI/CAT50 MHD'63.56	41 6 63 01 050 40	63	56	37		2.9
	ANSI/CAT50 MHD'80.62	41 6 80 01 050 40	80	62	43		3.2

### DIN 2080-A 'OTT'

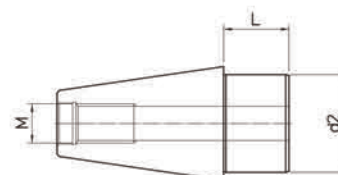


ISO	REF.	CODE	MHD' d1	L	L1	M	kg
30	DIN2080-A30 MHD'50.58	41 6 50 01 030 00	50	58	-	M12	0.6
40	DIN2080-A40 MHD'50.48	41 6 50 01 040 00	50	48	36.5	M16	0.9
	DIN2080-A40 MHD'63.60	41 6 63 01 040 00	63	60	-		1.2
45	DIN2080-A45 MHD'50.48	41 6 50 01 045 00	50	48	33	M20	1.6
	DIN2080-A45 MHD'63.60	41 6 63 01 045 00	63	60	45		1.9
	DIN2080-A45 MHD'80.66	41 6 80 01 045 00	80	66	-		2.2
50	DIN2080-A50 MHD'50.48	41 6 50 01 050 00	50	48	33	M24	2.6
	DIN2080-A50 MHD'63.56	41 6 63 01 050 00	63	56	41		2.7
	DIN2080-A50 MHD'80.60	41 6 80 01 050 00	80	60	45		3.2



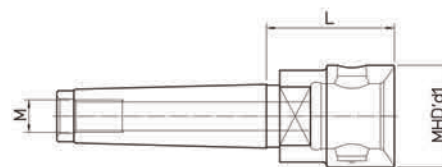
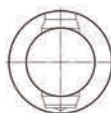
- ARBORS
- GRUNDAUFNAHMEN
- ACOPLAMIENTOS BASE
- MANDRINS
- ATTACCHI BASE

**ISO 50 D.60**  
**ISO 60 D.60**



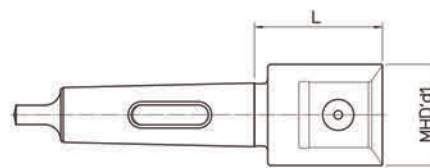
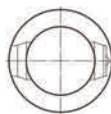
REF.	CODE	d2	L	M	Kg.
ISO 50 D.60	71ISO-50-DC6040	60	40	24	4.8
ISO 60 D.60	71ISO-60-DC6040			30	9.7

**DIN 228/A 2207**



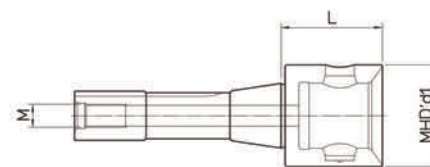
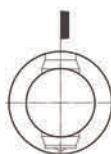
MORSE	REF.	CODE	MHD' d1	L	M	kg
4	MORSE4-A MHD'50.63	41 6 50 03 004 00	50	63	M16	0.9
4 SIP	MORSE4-A SIP MHD'50.63	41 6 50 03 004 01			M14	

**DIN 228/B 1806**



MORSE	REF.	CODE	MHD' d1	L	kg
4	MORSE4-B MHD'50.56	41 6 50 02 004 00	50	56	0.9
5	MORSE5-B MHD'63.65	41 6 63 02 005 00	63	65	1.5

**R8**



REF.	CODE	MHD' d1	L	M	kg
R 8	41 6 50 05 008 00	50	50	M12x1.75	0.8

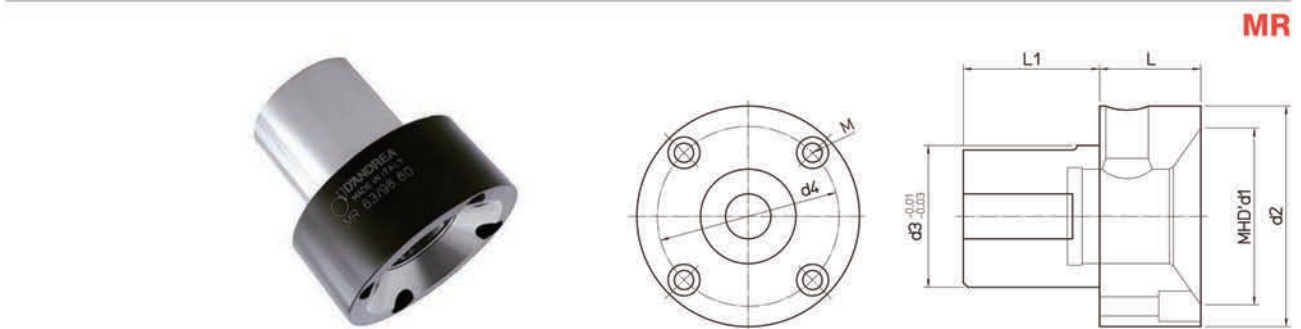
**D'ANDREA**

# D'ANDREA MODULHARD'ANDREA

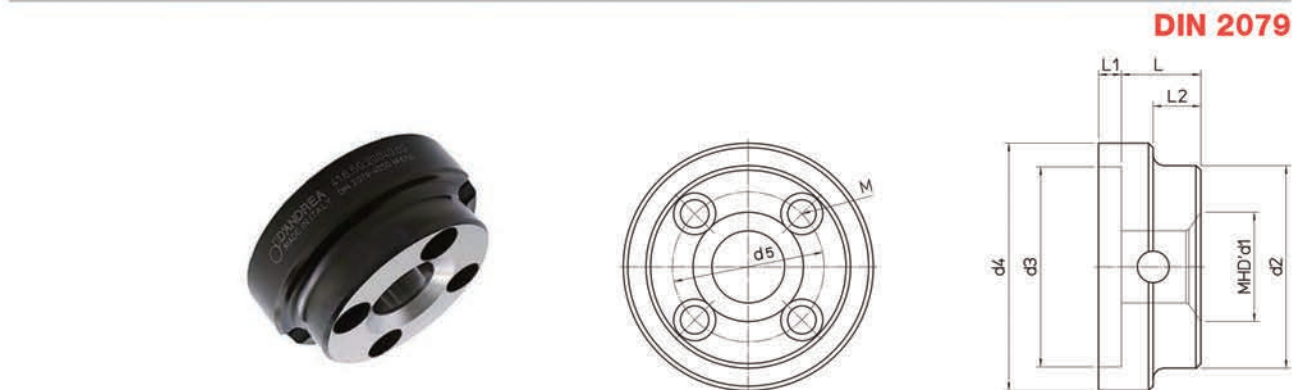
- ARBORS
- GRUNDAUFNAHMEN
- ACOPLAMIENTOS BASE
- MANDRINS
- ATTACCHI BASE



REF.	CODE	MHD' d <sub>1</sub>	L	L <sub>1</sub>	d <sub>2</sub>	kg	fig.
BR 16/16.100	65 70 816 0100 1	16	100	-	16	0.15	1
BR 20/20.125	65 70 820 0125 1	20	125	-	20	0.3	
BR 25/32.35	41 6 32 08 025 00	32	100	35	25	0.7	2
BR 32/50.60	41 6 50 08 032 00	50	140	60	32	1	



REF.	CODE	MHD' d <sub>1</sub>	d <sub>2</sub>	d <sub>3</sub>	d <sub>4</sub>	L	L <sub>1</sub>	M	kg
MR 50/80.80	45 02 080 0106 0	63 ~ 80	80	50	65	45	50	M6	1.5
MR 63/98.80	45 02 098 0106 0		98	63	80		60	M8	3.1
MR 80/130.80	45 02 130 0124 0		130	80	104.6		80	M10	6.1



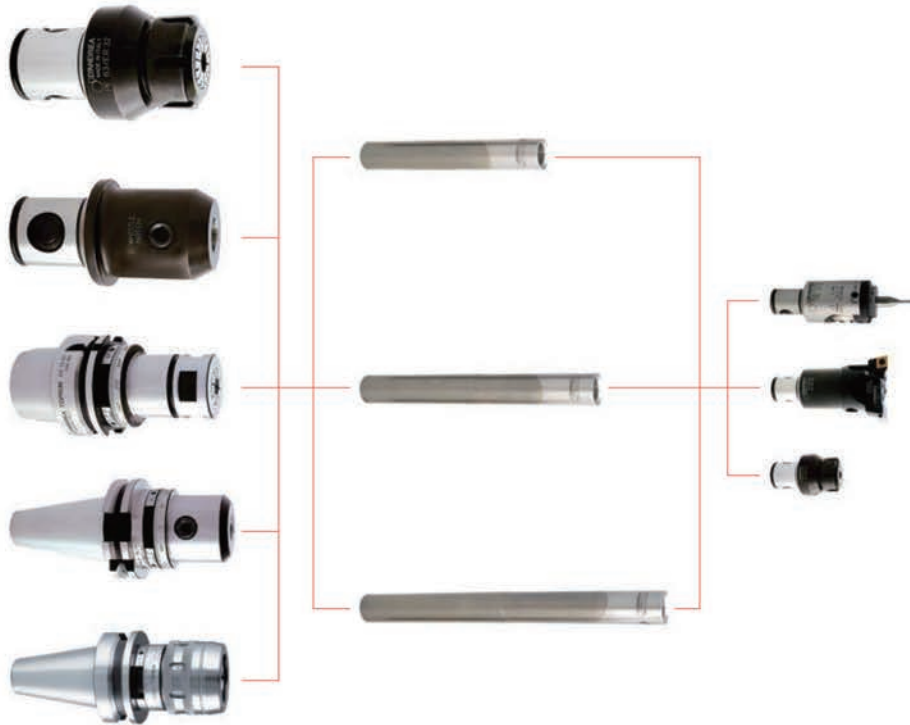
REF.	CODE	MHD' d <sub>1</sub>	d <sub>2</sub>	d <sub>3</sub>	d <sub>4</sub>	d <sub>5</sub>	L	L <sub>1</sub>	L <sub>2</sub>	M	kg
DIN 2079-40.50	41 6 50 20 040 00	50	90	88.89	110	66.7	35	10	21	M12	1.8
DIN 2079-40.63	41 6 63 20 040 00	63					47		31		2
DIN 2079-50.63	41 6 63 20 050 00	63	135	128.57	150	101.6	45	12	36	M16	5.4
DIN 2079-50.80	41 6 80 20 050 00	80					50		98		5.3
DIN 2079-50.110	41 6 91 20 050 00	110					112		8.4		
DIN 2079-50.140	41 6 94 20 050 00	140					122		108		9.5

D'ANDREA



- CARBIDE BARS FOR DEEP-HOLE MACHINING
- HARTMETALL-BOHRSTANGENFÜR TIEFLOCH-BEARBEITUNGEN
- BARRAS DE METAL DURO PARA MECANIZACIONES DE AGUJEROS PROFUNDOS
- BARRES CARBURE POUR USINAGES DE TROUS PROFONDS
- BARRE IN METALLO DURO PER LAVORAZIONI DI FORI PROFONDI

## BMD PROGRAM



## BMD



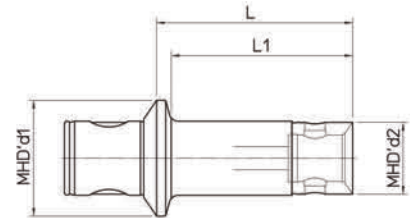
REF.	CODE	MHD' d <sub>1</sub>	d <sub>2</sub>	L	L <sub>1</sub>	kg
BMD 16/16.110	65 70 816 0110 5	16	16	110	50	0.3
BMD 16/16.140	65 70 816 0140 5			140	63	0.4
BMD 16/16.170	65 70 816 0170 5			170	80	0.5
BMD 20/20.135	65 70 820 0135 5	20	20	135	63	0.6
BMD 20/20.170	65 70 820 0170 5			170	80	0.75
BMD 20/20.210	65 70 820 0210 5			210	100	0.9
BMD 25/25.160	65 70 825 0160 5	25	25	160	80	1
BMD 25/25.205	65 70 825 0205 5			205	100	1.3
BMD 25/25.255	65 70 825 0255 5			255	125	1.6
BMD 32/32.195	65 70 832 0195 5	32	32	195	100	2.1
BMD 32/32.250	65 70 832 0250 5			250	125	2.8
BMD 32/32.315	65 70 832 0315 5			315	160	3.5



# D'ANDREA MODULHARD'ANDREA

- REDUCTIONS
- REDUZIERUNGEN
- REDUCCIONES
- RÉDUCTIONS
- RIDUZIONI

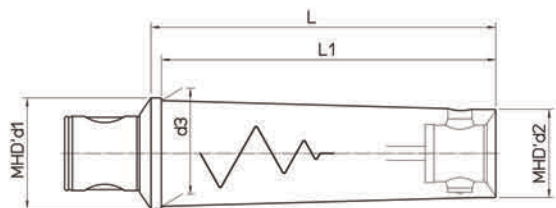
**RD**



REF.	CODE	MHD' d <sub>1</sub>	MHD' d <sub>2</sub>	L	L <sub>1</sub>	kg
RD 50/16.40	65 70 050 0016 2	50	16	40	32	0.2
RD 50/16.74	65 70 050 0016 3			74	65	0.25
RD 50/20.70	65 70 050 0020 2		20	70	62	0.3
RD 50/20.93	65 70 050 0020 3			93	85	0.35
RD 50/25.87	65 70 050 0025 2		25	87	80	0.6
RD 50/25.117	65 70 050 0025 3			117	110	0.65
RD 50/32.87	65 70 050 0032 2		32	87	80	0.75
RD 50/32.144	65 70 050 0032 3			144	137	1
RD 50/40.87	65 70 050 0040 2		40	87	80	0.9
RD 50/40.176	65 70 050 0040 3			176	170	1.8

- VIBRATION-DAMPING REDUCTIONS
- VIBRATIONSARME REDUZIERUNGEN
- REDUCCIONES ANTI-VIBRACIÓN
- RÉDUCTIONS ANTI-VIBRATOIRES
- RIDUZIONI ANTIVIBRANTI

**RAV**



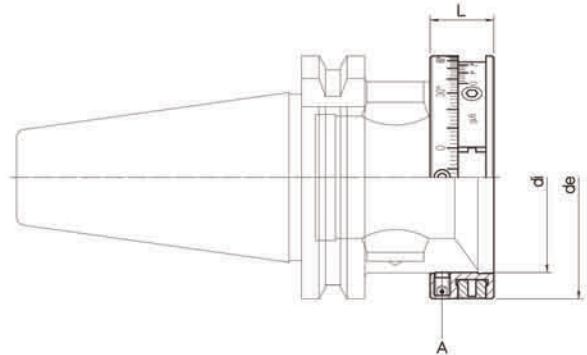
REF.	CODE	MHD' d <sub>1</sub>	MHD' d <sub>2</sub>	d <sub>3</sub>	L	L <sub>1</sub>	kg
RAV 50/16.74	65 70 050 0016 5	50	16	17.5	74	65	0.4
RAV 50/20.93	65 70 050 0020 5		20	21.5	93	85	0.5
RAV 50/25.117	65 70 050 0025 5		25	27	117	110	0.8
RAV 50/32.144	65 70 050 0032 5		32	35	144	138	1.4
RAV 50/40.176	65 70 050 0040 5		40	47	176	170	2.5
RAV 63/50.220	65 70 063 0050 5	63	50	60	220	214	5.6
RAV 80/63.280	65 70 080 0063 5	80	63	77	280	272	10.6





- BALANCING RINGS
- AUSWUCHTRINGE
- ANILLOS DE EQUILBRADO
- BAGUES D'ÉQUILIBRAGE
- ANELLI DI BILANCIATURA

**BLC**



REF.	CODE	MHD'	de	di (G6)	L
BLC 42.32	38 17 25 032 001	32	42	31.5	14
BLC 50.40	38 17 25 040 001	40	50	39.5	15
BLC 63.50	38 17 25 050 001	50	63.5	49.8	16
BLC 80.63	38 17 25 063 001	63	80	62.8	18

**KR** BLC 바란스 링은 눈금을 가진 두개의 평행추로 셋팅하여 사용 됩니다. 바란스 링 사용을 사용함으로써 동심도 및 정삭 조도 향상, 툴 라이프 향상의 장점을 가지며 가공시 공구 진동을 최소화 하여 머신닝 센터의 스피indle 베어링을 보호할 수 있습니다.

※ 조립 방법 : 아바의 플라스틱 링을 제거하고 BLC 바란스 링을 삽입후 나사로 조여주십시오.

**GB** The BLC balancing ring, only by setting the two incorporated graduated counterweights, allows to balance, in an accurate and economical way, the toolholder on which it is mounted. The use of the BLC ring provides the following advantages: improved accuracy and surface finish; considerable extension of tool life; considerable extension of spindle bearings life; drastic reduction of vibrations and noise level in the machining centre.

**ASSEMBLY:** Remove the plastic guard ring; insert the BLC ring and lock the A screws.

**D** Der Auswuchtring BLC mit integrierten und beweglichen Gewichten ermöglicht es, den Werkzeughalter, an dem der Ring montiert ist, genau und wirtschaftlich auszuwuchten. Die Verwendung des BLC Auswuchtrings an Werkzeughaltern bietet folgende Vorteile: verbesserte Genauigkeit und Oberflächenfertigung (Qualität); merkbar höhere Lebensdauer der Werkzeuge und Schneidwerkzeuge; Schonung der Spindellager, dadurch deutlich höhere Lebensdauer; erhebliche Verminderung von Vibrationen und Geräuschen am Arbeitsplatz.

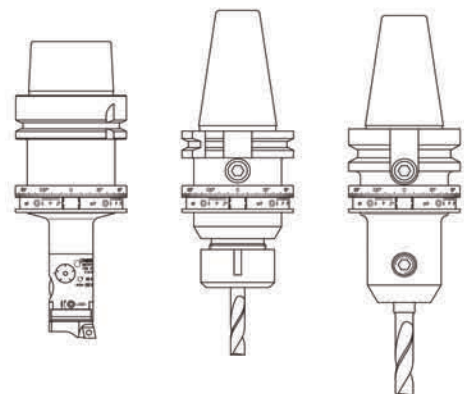
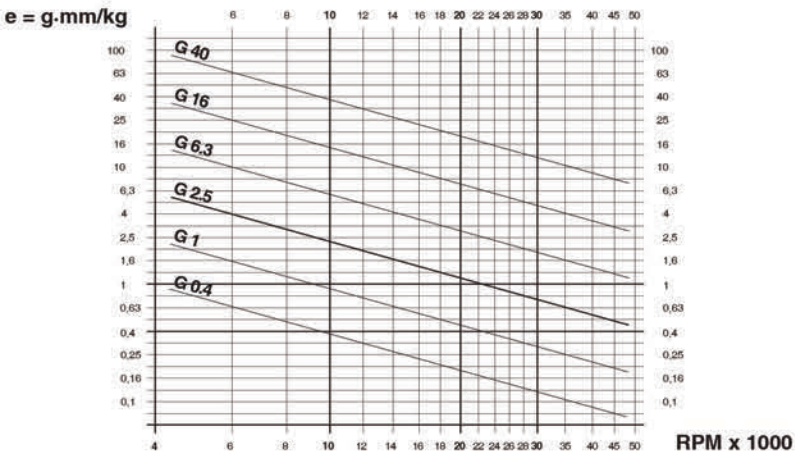
**MONTAGE:** Schutzring aus Kunststoff entfernen; Auswuchtring BLC einsetzen und Schrauben A spannen.

**E** El anillo de equilibrado BLC, con el simple posicionamiento de los dos contrapesos graduados incorporados, permite equilibrar, en forma precisa y económica, el portaherramientas en el cual va montado. La utilización del anillo BLC da las siguientes ventajas: mejora la precisión y la calidad de las superficies mecanizadas; aumenta la duración de la herramienta; prolonga la vida del husillo del centro de mecanizado; reduce las vibraciones y la rumorosidad del centro de mecanizado.

**MONTAJE:** Quitar el anillo de protección de plástico; insertar anillo BLC y fijar los tornillos A.

**I** L'anello di bilanciatura BLC, con il semplice posizionamento dei due tasselli graduati incorporati, permette di equilibrare, in modo preciso ed economico, il portautensile nel quale lo stesso viene montato. L'utilizzo dell'anello BLC dà i seguenti vantaggi: migliora la precisione e la qualità delle superfici lavorate; aumenta la durata dell'utensile; allunga la vita del mandrino del centro di lavoro; riduce le vibrazioni e la rumorosità del centro di lavoro.

**MONTAGGIO:** Togliere l'anello di protezione in plastica; inserire l'anello BLC e bloccare le viti A.



**D'ANDREA**

*testarossa d'andrea*

### TS

### TRD

### TRC

### TRC HS

			p. 94 • <b>TRC 14</b> Ø 14.5 ~ 18		
p.82 • <b>TS 16/16</b> Ø 18 ~ 22			p. 94 • <b>TRC 16</b> Ø 18 ~ 24		p.116 • <b>TRM 16</b> Ø 18 ~ 23
p.82 • <b>TS 20/20</b> Ø 22 ~ 28			p. 94 • <b>TRC 20</b> Ø 22 ~ 30		p.116 • <b>TRM 20</b> Ø 22 ~ 29
p.82 • <b>TS 25/25</b> Ø 28 ~ 38	p.90 • <b>TRD 25</b> Ø 28 ~ 36	p.94 • <b>TRC 25</b> Ø 28 ~ 40			p.116 • <b>TRM 25</b> Ø 28 ~ 38
p.82 • <b>TS 32/32</b> Ø 35.5 ~ 50	p.90 • <b>TRD 32</b> Ø 36 ~ 46	p.94 • <b>TRC 32</b> Ø 35 ~ 53	p.110 • <b>TRC 32 HS</b> Ø 2.5 ~ 18		p.116 • <b>TRM 32</b> Ø 35.5 ~ 50
p.82 • <b>TS 40/40</b> Ø 50 ~ 68	p.90 • <b>TRD 40</b> Ø 46 ~ 60	p.94 • <b>TRC 40</b> Ø 48 ~ 66			p.116 • <b>TRM 40</b> Ø 48 ~ 63
p.83 • <b>TS 50/50</b> Ø 68 ~ 90	p.83 • <b>TS 50/63</b> Ø 90 ~ 120	p.90 • <b>TRD 50</b> Ø 60 ~ 75	p.96 • <b>TRC 50</b> Ø 2.5 ~ 110	p.112 • <b>TRC 50 HS</b> Ø 2.5 ~ 22	p.118 • <b>TRM 50</b> Ø 2.5 ~ 108
p.83 • <b>TS 63/63</b> Ø 90 ~ 120		p.90 • <b>TRD 63</b> Ø 75 ~ 95	p.100 • <b>TRC 63</b> Ø 72 ~ 125		
p.83 • <b>TS 80/80</b> Ø 120 ~ 200		p.90 • <b>TRD 80</b> Ø 95 ~ 120	p.104 • <b>TRC 80</b> Ø 88 ~ 200		

# BORING SYSTEM

**TRM**  
2μm

**TRM HSB**  
2μm



**INSERTS**

p.110 • **TRM 32 HSB**  
Ø 2.5 ~ 18



p.122 • **TRM 50/63** p.126 • **TRM 50/80** p.112 • **TRM 50 HSB**  
Ø 6 ~ 125    Ø 6 ~ 160    Ø 2.5 ~ 22



p.122 • **TRM 63/63**  
Ø 6 ~ 125



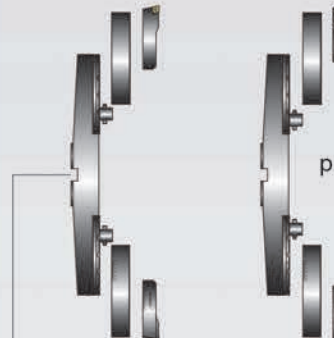
p.126 • **TRM 80/80** p.130 • **TRM 80/125**  
Ø 6 ~ 160    Ø 36 ~ 500



**BPS**

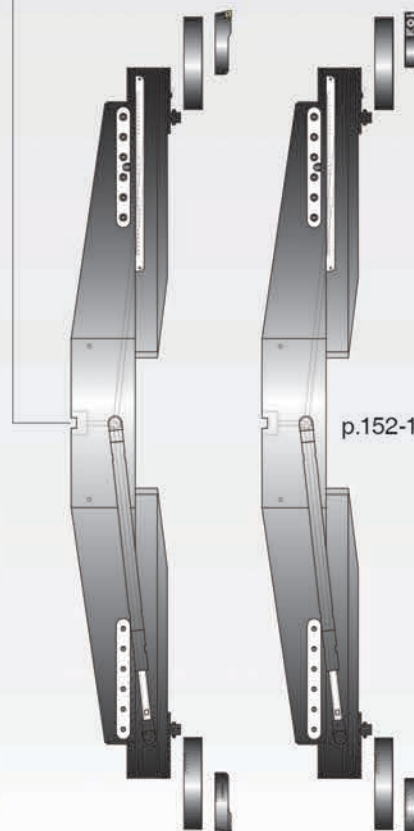
p.154 • **TR 200**  
2μm

p.150-151 • **BPS 200 - 800**  
Ø 200 ~ 1200



p.154 • **TR 200**  
2μm

p.152-153 • **BPS 1000 - 1600**  
Ø 1000 ~ 2800



**D'ANDREA**



- DOUBLE-BIT HEADS
- ZWEISCHNEIDERBOHRKÖPFE
- CABEZALES DE DOS CUCHILLAS
- TÊTES À DOUBLE TRANCHANT
- TESTINE BITAGLIANTI



- 1**
- Body
  - Körper
  - Cuerpo
  - Corps
  - Corpo
- 2**
- Setting screws
  - Einstellschraube
  - Tornillo de regulación
  - Vis de réglage
  - Vite di regolazione

- 3**
- Expanding pin
  - Spreizbolzen
  - Perno radial expansible
  - Tige radiale expansible
  - Perno radiale espandibile
- 4**
- Coolant outlets
  - Kühlmittelaustritt
  - Agujeros salida refrigerante
  - Sortie du liquide d'arrosage
  - Fori uscita refrigerante
- 5**
- Bit holders
  - Plattenhalter
  - Portaplaquita
  - Porte-plaquettes
  - Seggio portainseriti
- 6**
- Tools clamp screws
  - Werkzeugklemmschrauben
  - Tornillos bloqueo herramienta
  - Vis blocage outil
  - Viti bloccaggio utensile

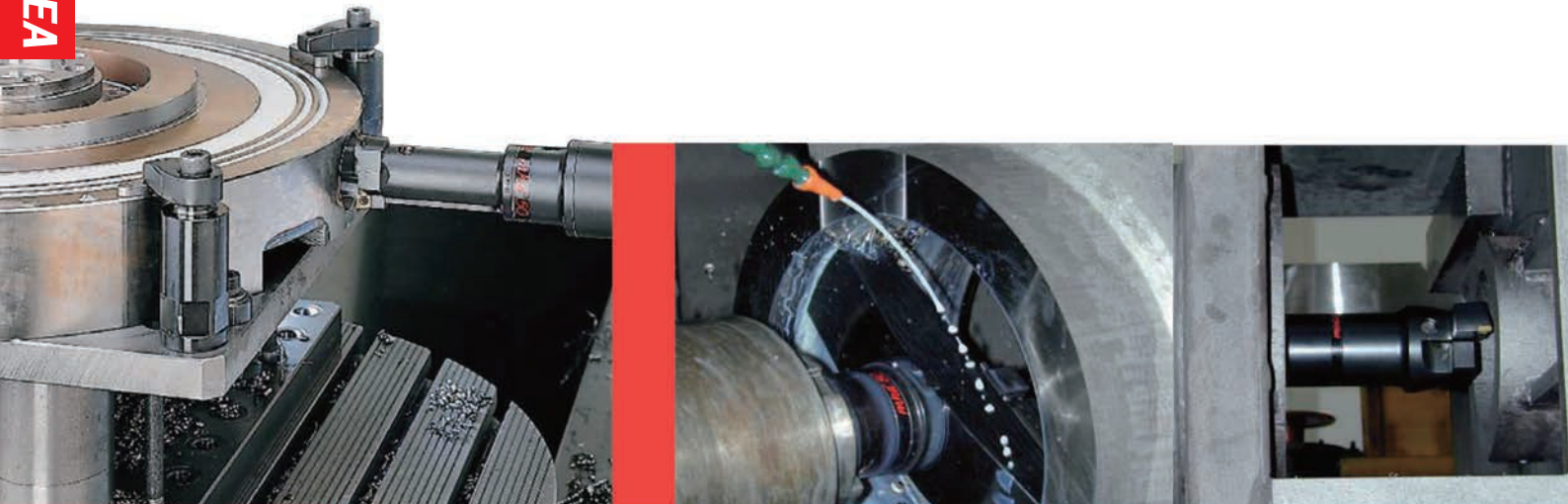
**KR** DOUBLE-BIT HEAD는 조립이 용이하고 클램핑 나사와 커터 사이의 일정한 간격을 두고 bit holder 와 insert 홀더 그리고 헤드와 일정한 간격으로 세레이션된 면끼리의 조립으로 인하여 매우 견고합니다.

**GB** The double-bit heads are easy and extremely rigid thanks to the extensive area serrated with contacts between the bit holder and upper insert holder and the heads, together with the constant distance between the seat of the clamping screws and the cutter.

**D** Die Zweischniderköpfe sind aufgrund des einfachen Aufbaus und der großen, verzahnten Kontaktfläche zwischen Plattenhalter und Kopf zusammen mit dem gleichbleibenden Abstand zwischen Wendepaltensitz und Plattenhalterklemmung extrem stabil.

**E** Los cabezales de dos cuchillas son sencillos y extremamente rígidos gracias a las amplias superficies dentadas de contacto entre los asientos porta-plaquitas y los cabezales mismos, así como a la distancia constante entre los tornillos de sujeción del asiento y el filo de corte.

**I** Le testine bitaglienti sono semplici ed estremamente rigide grazie alle ampie superfici dentellate di contatto tra i seggi portainseriti e le testine stesse, unitamente alla distanza costante tra la vite di serraggio del seggio ed il tagliente.



# TS Ø 18 ~ 200

- DOUBLE-BIT HEADS
- ZWEISCHNEIDERBOHRKÖPFE
- CABEZALES DE DOS CUCHILLAS
- TÊTES À DOUBLE TRANCHANT
- TESTINE BITAGLIENTI

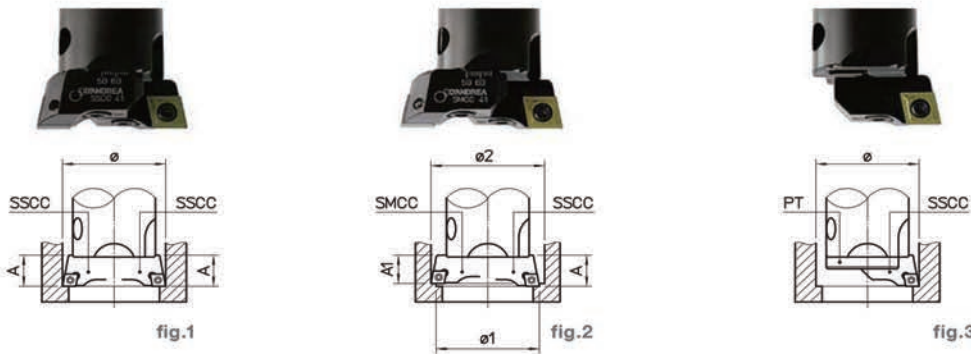
**KR** Cutting edge 들의 Radial setting은 툴 프리셋터에서 해야 합니다. TS 보링바에는 두꺼운 chip 제거에 관련된 황삭 작업을 위해 두개의 bit holder를 조립합니다.

**GB USE.** The radial setting of the cutting edges should be carried out with tool presetting equipment. The boring bars are fitted with two bit holders for roughing operations involving heavy chip removal. The double-bit boring bars may include:

**D EINSATZ.** Die Durchmessereinstellung der Wendeplatten ist auf einem Maschinenwerkzeug-voreinstellgerät vorzunehmen. Mit zwei Plattenhaltern werden die Köpfe für Schrupperarbeiten mit starker Spanabnahme verwendet. Diese Köpfe können umfassen:

**E EMPLEO.** La regulación diametral de los cortes se efectúa sobre un banco presetting para herramientas. Se utilizan con dos asientos para operaciones de desbaste con fuerte arranque de viruta. Los cabezales de dos cuchillas pueden estar compuestos con:

**I IMPIEGO.** La regolazione diametrale dei taglienti va eseguita su un banco di presetting di utensili. Si utilizzano con due seggi per operazioni di sgrossatura con forti asportazioni. I bareni bitaglianti possono essere composti con:



**fig. 1 KR** 두개의 cutting edge가 동일한 높이 및 동일한 Radial 거리로 셋팅되는 두개의 SSCC bit holder 사용은 빠른 황삭 작업을 위해 사용합니다.

**GB** two SSCC bit holders on the same plane and with the two cutting edges set at identical radial distance for high feed rate roughing operations.

**D** zwei Plattenhalter SSCC auf gleicher Höhe mit der Schneidkante der Wendeplatten auf gleichem Durchmesser einstellen. Für Schrupperarbeiten mit großem Vorschub.

**E** dos asientos SSCC alineados y con la punta de la plaquita sobre el mismo diámetro para operaciones de desbaste con fuertes avances.

**I** due seggi SSCC allineati e con la punta degli inserti sullo stesso diametro per operazioni di sgrossatura con forti avanzamenti.

**fig. 2 KR** 두개의 cutting edge가 서로 상이한 높이 및 Radial 거리로 셋팅 되는 한 개의 SSCC bit holder와 한 개의 SMCC bit holder 사용은 깊은 홀의 빠른 황삭 작업을 위해 사용합니다.

**GB** an SSCC bit holder and an SMCC bit holder not at the same plane and with the two cutting edges set at different radial distances for high cutting depth roughing operations.

**D** je einen Plattenhalter SSCC und SMCC auf verschiedener Höhe mit der Schneidkante der Wendeplatten auf verschiedenem Durchmesser einstellen für Schrupperarbeiten mit großer Spantiefe.

**E** un asiento SSCC y un asiento más bajo SMCC desalineados y con la punta de las plaquitas sobre diámetros diversos para operaciones de desbaste con fuertes profundidades de pasada.

**I** un seggio SSCC ed un seggio più basso SMCC disallineati e con la punta degli inserti su diametri diversi per operazioni di sgrossatura con forti profondità di passata.

**fig. 3 KR** TS 보링바는 일반적인 chip 제거에 연관된 정삭 및 황삭 작업을 위해 한 개의 bit holder를 조립하여 사용합니다. 단 PT(보호 플레이트) 항상 조립되어야 합니다.

**GB** the boring bars are fitted with a single bit holder for roughing and finishing operations involving normal chip removal. The serrated surface protection plate PT should always be fitted.

**D** mit einem Plattenhalter werden die Bohrstangen für Schlicht- und Schrupperarbeiten mit normaler Spanabnahme verwendet. PT Schutzplatte für die Kerbzahnfläche immer aufsetzen.

**E** se utilizan con un solo asiento para operaciones de acabado y desbaste con normal arranque de viruta. Recordar siempre montar la plaquita PT para la protección de la superficie dentada.

**I** si utilizzano con un solo seggio per operazioni di finitura e sgrossatura con normali asportazioni di truciolo. Ricordarsi sempre di montare la piastrina PT per la protezione della superficie dentellata.

**TS 16/16**  
Ø 18 ~ 22



**TS 20/20**  
Ø 22 ~ 28



**TS 25/25**  
Ø 28 ~ 38



**TS 32/32**  
Ø 35.5 ~ 50



**TS 40/40**  
Ø 50 ~ 68



**TS 50/50**  
Ø 68 ~ 90



**TS 50/63**  
Ø 90 ~ 120



**TS 63/63**  
Ø 90 ~ 120



**TS 80/80**  
Ø 120 ~ 200

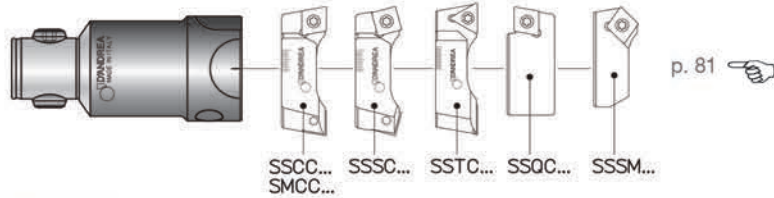




# D'ANDREA MODULHARD'ANDREA

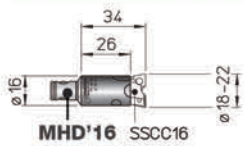
## TS 16~40 Ø 18 ~ 68

- DOUBLE-BIT HEADS
- ZWEISCHNEIDERBOHRKÖPFE
- CABEZALES DE DOS CUCHILLAS
- TÊTES À DOUBLE TRANCHANT
- TESTINE BITAGLIANTI

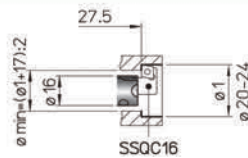


REF.	CODE	Kg.
TS 16/16	45 55 016 0034 0	0.05
TS 20/20	45 55 020 0040 0	0.09
TS 25/25	45 55 025 0050 0	0.2
TS 32/32	45 55 032 0063 0	0.35
TS 40/40	45 55 040 0080 0	0.7

REF.	CODE	Kg.
TS 50/50	45 53 050 0100 0	1.5
TS 50/63	45 53 063 0080 0	2
TS 63/63	45 54 063 0125 0	3
TS 80/80	45 54 080 0140 0	5.3

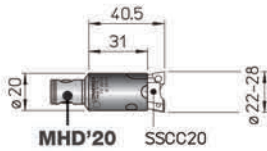


MHD'16 SSCC16

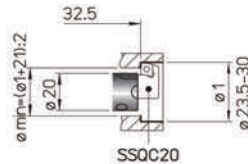


SSQC16

### TS 16/16 Ø 18 ~ 22

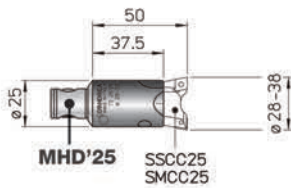


MHD'20 SSCC20

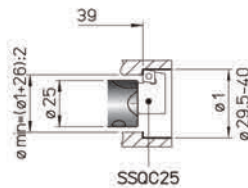


SSQC20

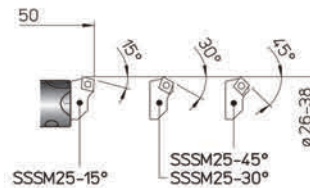
### TS 20/20 Ø 22 ~ 28



MHD'25 SSCC25  
SMCC25



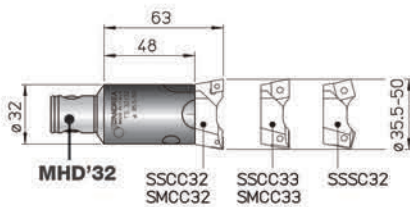
SSQC25



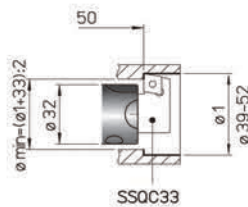
SSSM25-15°

SSSM25-45°  
SSSM25-30°

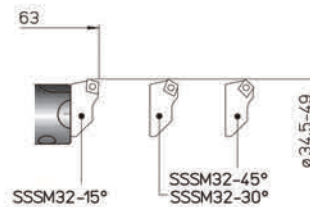
### TS 25/25 Ø 28 ~ 38



MHD'32 SSCC32  
SMCC32 SSCC33  
SMCC33 SSSC32



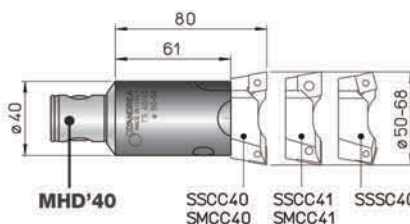
SSQC33



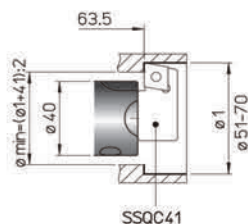
SSSM32-15°

SSSM32-45°  
SSSM32-30°

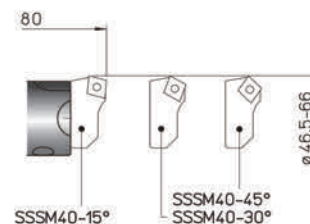
### TS 32/32 Ø 35.5 ~ 50



MHD'40 SSCC40  
SMCC40 SSCC41  
SMCC41 SSSC40



SSQC41



SSSM40-15°

SSSM40-45°  
SSSM40-30°

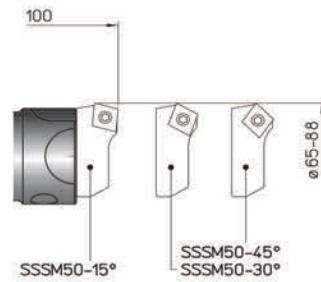
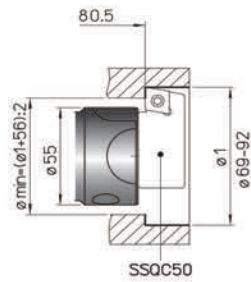
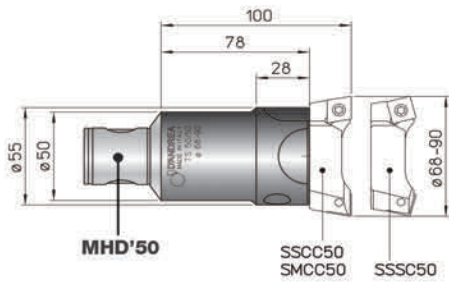
### TS 40/40 Ø 50 ~ 68

D'ANDREA

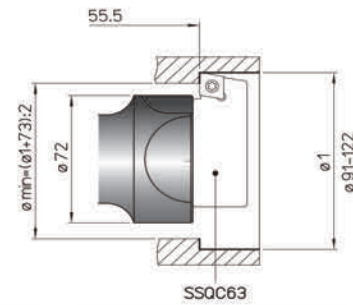
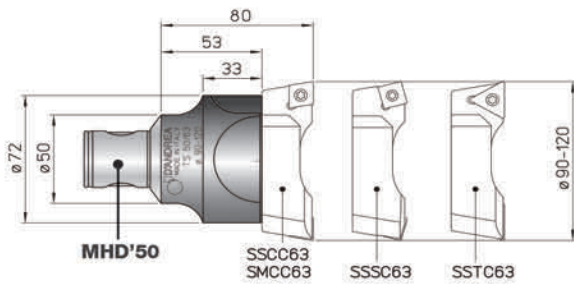


# TS 50~80 Ø 68 ~ 200

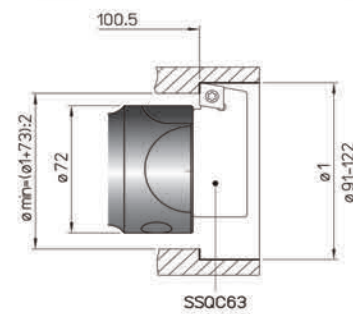
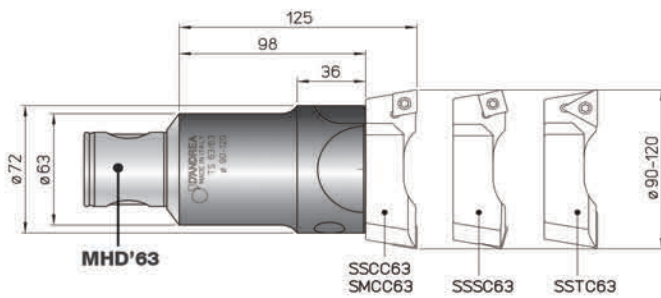
- DOUBLE-BIT HEADS
- ZWEISCHNEIDERBOHRKÖPFE
- CABEZALES DE DOS CUCHILLAS
- TÊTES À DOUBLE TRANCHANT
- TESTINE BITAGLIANTI



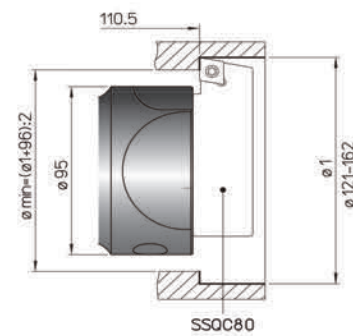
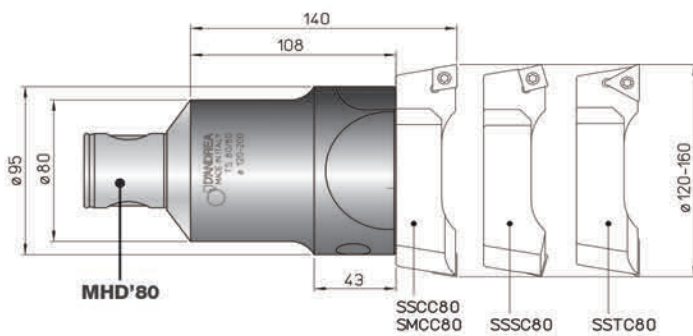
**TS 50/50**  
Ø 68 ~ 90



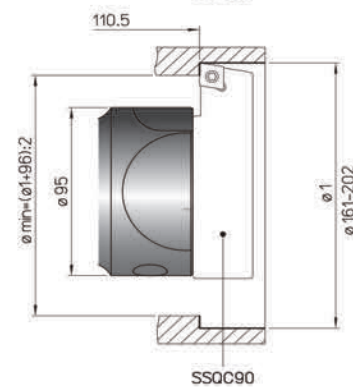
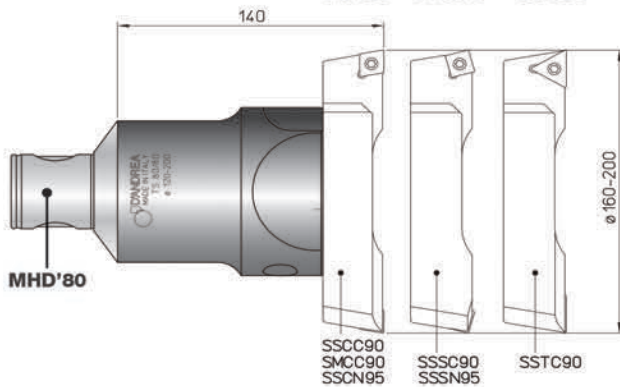
**TS 50/63**  
Ø 90 ~ 120



**TS 63/63**  
Ø 90 ~ 120



**TS 80/80**  
Ø 120 ~ 160



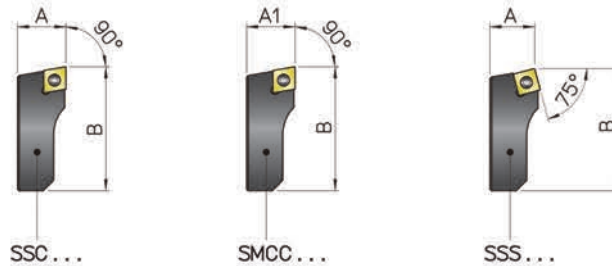
Ø 160 ~ 200

**D'ANDREA**

# D'ANDREA MODULHARD'ANDREA

- BIT-HOLDERS FOR DOUBLE-BIT ITEMS
- PLATTENHALTER FÜR ZWEISCHNEIDERWERKZEUGE
- PORTAPLAQUITAS PARA ASIENTOS A DOS CUCHILLAS
- PORTE-PLAQUETTES POUR PRODUITS À DEUX COUPANTS
- SEGGI PER BITAGLIENTI

**SSCC - SMCC - SSSC**



REF.	CODE	A	A1	B					Kg.
SSCC 16	47 050 05 16 201	8		15	CCMT 0602..	-	TS 25	TORX T08	0.003
SSCC 20	47 050 05 20 201	9.5		19					0.006
SSCC 25	47 050 05 25 201	12.5	-	23					0.01
SSCC 32	47 050 05 32 201			32					0.02
SSCC 33	47 050 05 32 204	15		32	CCMT 09T3..	-	TS 4	TORX T15	0.025
SSCC 40	47 050 05 40 201		-	40					0.06
SSCC 41	47 050 05 40 204	19		40	CCMT 1204..	-	TS5	TORX T25	0.06
SSCC 50	47 050 05 50 204	22		54					0.1
SSCC 63	47 050 05 63 201	27		70.5					0.2
SSCC 80	47 050 05 80 201	32		94.5					0.5
SSCC 90	47 050 05 90 201		-	130					0.7
SSCN 95	47 050 05 95 201	40			CNM. 1906..		p. 152		0.9
SMCC 25	47 050 05 25 203		-	12.3	CCMT 0602..	-	TS 25	TORX T08	0.01
SMCC 32	47 050 05 32 203			23					0.02
SMCC 33	47 050 05 32 205		-	14.8	CCMT 09T3..	-	TS 4	TORX T15	0.025
SMCC 40	47 050 05 40 203			32					0.06
SMCC 41	47 050 05 40 205		-	18.7	CCMT 1204..	-	TS 5	TORX T25	0.06
SMCC 50	47 050 05 50 205			40					0.1
SMCC 63	47 050 05 63 203		-	21.7					0.2
SMCC 80	47 050 05 80 203			54					0.5
SMCC 90	47 050 05 90 203			70.5					0.7
SMCC 95	47 050 05 95 203		-	26.7	130				
SSSC 32	47 050 05 32 202	15		32		SCMT 09T3..	TS 4	TORX T15	0.02
SSSC 40	47 050 05 40 202	19		40					0.06
SSSC 50	47 050 05 50 202	22		54		SCMT 1204..	TS 5	TORX T25	0.1
SSSC 63	47 050 05 63 202	27		70.5	0.2				
SSSC 80	47 050 05 80 202	32		94.5	0.5				
SSSC 90	47 050 05 90 202		-	130	0.7				
SSSN 95	47 050 05 95 202	40			SNM. 1906..		p. 152		0.9

**D'ANDREA**

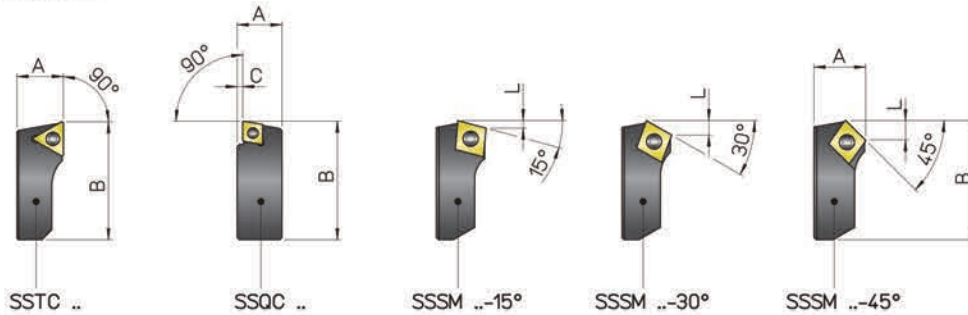




# TS 16~80 Ø 18 ~ 200

- BIT-HOLDERS FOR DOUBLE-BIT ITEMS
- PLATTENHALTER FÜR ZWEISCHNEIDERWERKZEUGE
- PORTAPLAQUITAS PARA ASIENTOS A DOS CUCHILLAS
- PORTE-PLAQUETTES POUR PRODUITS À DEUX COUPANTS
- SEGGI PER BITAGLIANTI

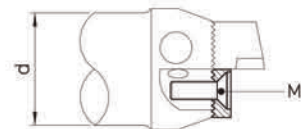
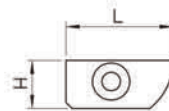
**SSTC - SSQC - SSSM**



REF.	CODE	A	B	C	L	$\Delta$	$\square$			Kg.
SSTC 63	47 050 05 63 206	27	70.5	-	-	TCMT 2204..	-	TS 5	TORX T25	0.2
SSTC 80	47 050 05 80 206	32	94.5	-	-	TCMT 2204..	-	TS 5	TORX T25	0.5
SSTC 90	47 050 05 90 206		130	0.7						
SSQC 16	47 050 05 16 261	10	16	2	-	-	CCMT 0602..	TS 25	TORX T08	0.005
SSQC 20	47 050 05 20 261	11	19.5	1.5	-	-	CCMT 0602..	TS 25	TORX T08	0.008
SSQC 25	47 050 05 25 261	14.5	24	2.5	-	-				0.02
SSQC 33	47 050 05 33 261	17	32	3	-	-	CCMT 09T3..	TS 4	TORX T15	0.03
SSQC 41	47 050 05 41 261	21	42	3.5	-	-	CCMT 1204..	TS 5	TORX T25	0.08
SSQC 50	47 050 05 50 261	24.5	57							0.15
SSQC 63	47 050 05 63 261	28.5	76	31.5	-	-	CCMT 1204..	TS 5	TORX T25	0.3
SSQC 80	47 050 05 80 261	101	0.6							
SSQC 90	47 050 05 90 261	122	0.8							
SSSM 25-15°	47 050 05 25 211	12.5	23	-	1.6	-	CCMT 0602..	TS 25	TORX T08	0.01
SSSM 25-30°	47 050 05 25 213			3						
SSSM 25-45°	47 050 05 25 215			4.3						
SSSM 32-15°	47 050 05 32 211	15	31	-	1.6	-	CCMT 0602..	TS 25	TORX T08	0.025
SSSM 32-30°	47 050 05 32 213			3						
SSSM 32-45°	47 050 05 32 215			4.3						
SSSM 40-15°	47 050 05 40 211	19	39	-	2.4	-	CCMT 09T3..	TS 4	TORX T15	0.06
SSSM 40-30°	47 050 05 40 213			4.6						
SSSM 40-45°	47 050 05 40 215			6.5						
SSSM 50-15°	47 050 05 50 211	22	53	-	3.2	-	CCMT 1204..	TS 5	TORX T25	0.1
SSSM 50-30°	47 050 05 50 213			6.2						
SSSM 50-45°	47 050 05 50 215			8.8						

- COVER PLATES
- ABDECKPLATTEN
- PROTECCIONES
- CACHES DE PROTECTION
- PROTEZIONI MILLERIGHE

**PT**



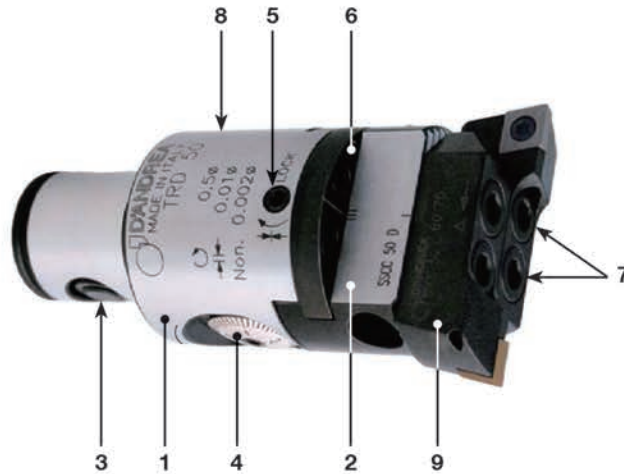
REF.	CODE	d	H	L	M
PT 16	38 47 65 000160	16	7	14	M 3x12
PT 20	38 47 65 000200	20	8.5	17	M 4x14
PT 25	38 47 65 000250	25	10.2	21	M 4x16
PT 32	38 47 65 000320	32	13.9	28	M 5x20
PT 40	38 47 65 000400	40	17.4	35	M 6x25
PT 50	38 47 65 000500	50	21.4	47.5	M 8x25
PT 63	38 47 65 000630	63	26.4	62	M 10x30
PT 80	38 47 65 000800	80	33.9	82.5	M 12x35

# D'ANDREA MODULHARD'ANDREA

**TRD** Ø 28 ~ 120

- DOUBLE-BIT TESTAROSSA
- TESTAROSSA ZWEISCHNEIDERKÖPFE
- TESTAROSSA DE DOS CUCHILLAS
- DOUBLE TRANCHANT TESTAROSSA
- TESTAROSSA BITAGLIENTE

- Body
  - Körper
  - Cuerpo
  - Corps
  - Corpo
- Slide toolholder
  - Werkzeugschlitten
  - Guía portaherramientas
  - Coulisseau
  - Slitta portautensili
- Expanding radial pin
  - Spreizbolzen
  - Perno radial expansible
  - Tige radiale expansible
  - Perno radiale espandibile
- Vernier scale
  - Nonius
  - Nonio
  - Vernier
  - Nonio
- Slide clamp screw
  - Schlittenklemmschraube
  - Tornillo bloqueo guía
  - Vis blocage coulisseau
  - Vite bloccaggio slitta
- Coolant outlet
  - Kühlmittelaustritt
  - Agujero salida refrigerante
  - Sortie du liquide d'arrosage
  - Uscita refrigerante



Dom. Brev. Dep.  
Patent Pending

- Tools clamp screws
  - Werkzeugklemmschrauben
  - Tornillos bloqueo herramienta
  - Vis blocage outil
  - Viti bloccaggio utensile
- Oiler
  - Schmiernippel
  - Engrasador
  - Graisseur
  - Oliatore
- Bit holder
  - Plattenhalter
  - Portaplaquita
  - Porte-plaquettes
  - Seggio portainseriti

**10 µm**  
nonio  
**2 µm**  
vernier



**KR** TRD HEAD 는 황삭과 정교한 정삭 작업을 동시에 가공할수 있습니다.

**GB** The main advantage of the TRD head is that it can be pre-regulated independently of the bit holders found on the slide. This allows both roughing and high precision finish work at the same time.

**D** Der Hauptvorteil der TRD Köpfe liegt darin, dass die auf dem Schlitten montierten Sitze unabhängig voneinander voreingestellt werden können. Dies ermöglicht gleichzeitige Grob- und Feinbearbeitungen.

**E** El punto fuerte de los TRD es el pre-ajuste independiente de los asientos montados sobre la corredera que permiten realizar a la vez operaciones de desbaste y acabado.

**I** Il punto di forza delle TRD è la pre-regolazione indipendente dei seggi montati sulla slitta che consentono di eseguire contemporaneamente lavorazioni di sgrossatura e di finitura.





**KR** 더블 BIT TRD HEAD 는 5마이크론의 Radial 조절이 가능한 슬라이드 메커니즘으로 정교함과 견고함을 동시에 만족시켜 황삭과 정교한 정삭 작업을 동시에 가공이 가능하며 할 수 있다. 또한 눈금을 쉽게 읽을 수 있고 장비에서 즉시 효과를 확인할 수 있다.

**GB FEATURES.** The double-bit TRD heads allow both roughing and high precision finish thanks to their rigidity and the sensitivity of the sliding mechanism which can achieve radial correction of 5 microm. This can be effected directly on the machine and easily read on the vernier scale.

**D MERKMALE.** Die TRD Zweischneiderköpfe ermöglichen eine kombinierte und hochpräzise Vor- und Fertigbearbeitung. Dank der Steifigkeit und der auf radial 5 µm über Skala genauen Schlittenverstellung kann das Mass direkt an der Maschine korrigiert werden.

**E CARACTERÍSTICAS.** Los cabezales de dos cuchillas TRD permiten realizar operaciones combinadas de desbaste y acabado de alta precisión, gracias a su rigidez y a la sensibilidad del mecanismo de deslizamiento con ajuste de 5 micras en radio, que puede leerse en el nonio y realizarse directamente en la máquina.

**I CARATTERISTICHE.** Le testine bitaglianti TRD consentono lavorazioni combinate di sgrossatura e finitura di alta precisione, grazie alla loro rigidezza e alla sensibilità dello spostamento slitta con regolazione di 5 micron sul raggio, leggibile sul nonio ed eseguibile anche in macchina.

**TRD 25**  
Ø 28 ~ 36



**TRD 32**  
Ø 36 ~ 46



**TRD 40**  
Ø 46 ~ 60



**TRD 50**  
Ø 60 ~ 75



**TRD 63**  
Ø 75 ~ 95



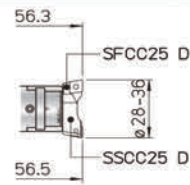
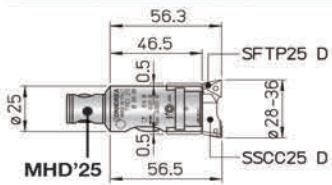
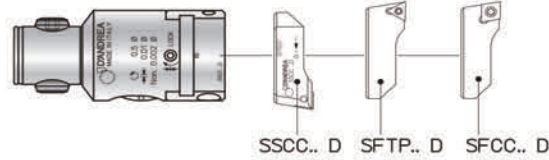
**TRD 80**  
Ø 95 ~ 120



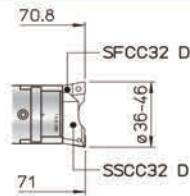
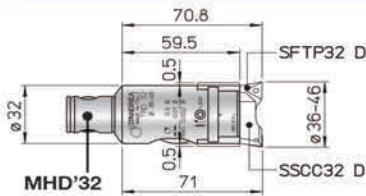
# D'ANDREA MODULHARD'ANDREA

## TRD 25~80 Ø 28 ~ 120

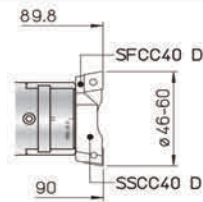
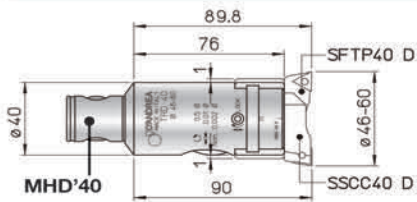
- DOUBLE-BIT TESTAROSSA
- TESTAROSSA ZWEISCHNEIDERKÖPFE
- TESTAROSSA DE DOS CUCHILLAS
- DOUBLE TRANCHANT TESTAROSSA
- TESTAROSSA BITAGLIANTE



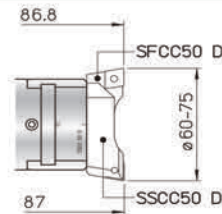
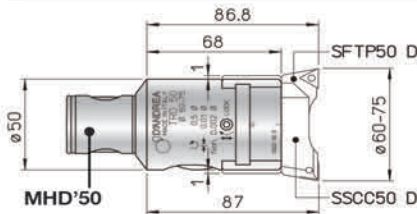
**TRD 25**  
Ø 28 ~ 36



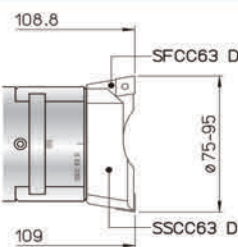
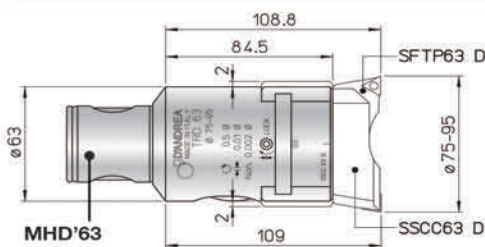
**TRD 32**  
Ø 36 ~ 46



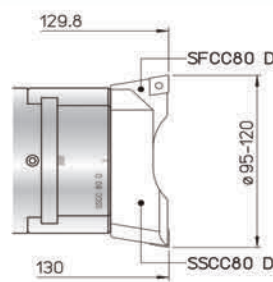
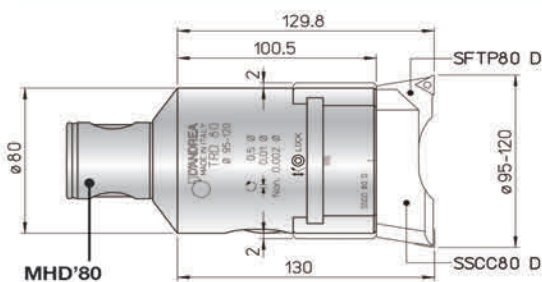
**TRD 40**  
Ø 46 ~ 60



**TRD 50**  
Ø 60 ~ 75



**TRD 63**  
Ø 75 ~ 95



**TRD 80**  
Ø 95 ~ 120



- DOUBLE-BIT TESTAROSSA
- TESTAROSSA ZWEISCHNEIDERKÖPFE
- TESTAROSSA DE DOS CUCHILLAS
- DOUBLE TRANCHANT TESTAROSSA
- TESTAROSSA BITAGLIENTE

**TRD**

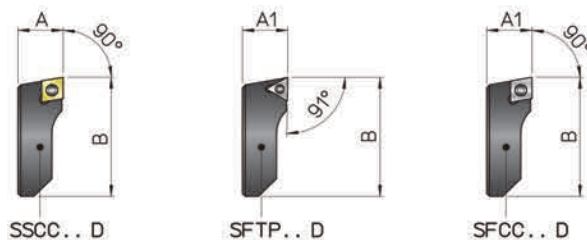


**10 µm**  
nonio vernier **2 µm**

REF.	CODE	Kg.
TRD 25	45 50 225 0057 1	0.2
TRD 32	45 50 232 0071 1	0.35
TRD 40	45 50 240 0090 1	0.7
TRD 50	45 50 250 0086 1	1.5
TRD 63	45 50 263 0108 1	2.7
TRD 80	45 50 280 0129 1	4.8

- BIT-HOLDERS FOR DOUBLE-BIT TESTAROSSA
- PLATTENHALTER FÜR TESTAROSSA ZWEISCHNEIDERBOHRKÖPFE
- ASIENTOS PARA TESTAROSSA DE DOS CUCHILLAS
- DOUBLE TRANCHANT TESTAROSSA
- SEGGI PER TESTAROSSA BITAGLIENTE

**SS-SF**

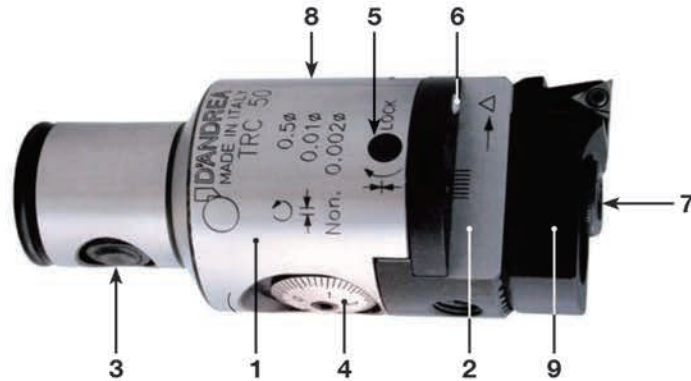


REF.	CODE	A	A1	B					Kg.
SSCC 25 D	47 050 05 25 220	10	-	24	-	CCMT 0602..	TS 25	TORX T08	0.008
SSCC 32 D	47 050 05 32 220	11.5	-	30	-				0.015
SSCC 40 D	47 050 05 40 220	14	-	40	-				0.03
SSCC 50 D	47 050 05 50 220	19	-	54	-	CCMT 09T3..	TS 4	TORX T15	0.06
SSCC 63 D	47 050 05 63 220	24.5	-	68	-				0.15
SSCC 80 D	47 050 05 80 220	29.5	-	87	-				0.3
SFTP 25 D	47 050 05 25 030	-	9.8	24	TPGX 0902..	-	CS 250T		0.008
SFTP 32 D	47 050 05 32 030	-	11.3	30					0.015
SFTP 40 D	47 050 05 40 030	-	13.8	40					0.03
SFTP 50 D	47 050 05 50 030	-	18.8	54	TPGX 1103..	-	CS 300890T	TORX T08	0.06
SFTP 63 D	47 050 05 63 030	-	24.3	68					0.15
SFTP 80 D	47 050 05 80 030	-	29.3	87					0.3
SFCC 25 D	47 050 05 25 020	-	9.8	24	-	CCGT 0602..	TS 25	TORX T08	0.008
SFCC 32 D	47 050 05 32 020	-	11.3	30	-				0.015
SFCC 40 D	47 050 05 40 020	-	13.8	40	-				0.03
SFCC 50 D	47 050 05 50 020	-	18.8	54	-	CCGT 09T3..	TS 4	TORX T15	0.06
SFCC 63 D	47 050 05 63 020	-	24.3	68	-				0.15
SFCC 80 D	47 050 05 80 020	-	29.3	87	-				0.3



- 1 • Body  
• Körper  
• Cuerpo  
• Corps  
• Corpo
- 2 • Slide toolholder  
• Werkzeugschlitten  
• Guía portaherramientas  
• Coulisseau  
• Slitta portautensili
- 3 • Expanding radial pin  
• Spreizbolzen  
• Perno radial expansible  
• Tige radiale expansible  
• Perno radiale espandibile
- 4 • Vernier scale  
• Nonius  
• Nonio  
• Vernier  
• Nonio
- 5 • Slide clamp screw  
• Schlittenklemmschraube  
• Tornillo bloqueo guía  
• Vis blocage coulisseau  
• Vite bloccaggio slitta
- 6 • Coolant outlet  
• Kühlmittelaustritt  
• Agujero salida refrigerante  
• Sortie du liquide d'arrosage  
• Uscita refrigerante

- 7 • Tools clamp screws  
• Werkzeugklemmschrauben  
• Tornillo bloqueo herramienta  
• Vis blocage outil  
• Viti bloccaggio utensile
- 8 • Oiler  
• Schmiernippel  
• Engrasador  
• Graisseur  
• Oliatore
- 9 • Bit holder  
• Plattenhalter  
• Portaplaquita  
• Porte-plaquettes  
• Seggio portainseriti



**10 µm**  
nonio  
vernier **2 µm**



**KR** IT6 공차의 매우 정교한 작업 또는 우수한 표면 조도가 요한 작업은 TRC HEAD 사용이 해결할 수 있다. TRC HEAD 는 매우 정교하며 5 마이크로미터의 Radial 조정은 눈금으로 쉽게 읽을 수 있고 장비에서 즉시 효과를 확인 할 수 있습니다.

**GB FEATURES.** High precision work to IT6 tolerance, with excellent surface finish, is achieved using TRC boring heads. These are very sensitive and radial correction of 5 micron can be effected directly on the machine and easily read on the vernier scale.

**D MERKMALE.** Die TRC Köpfe ermöglichen Bearbeitungen mit hoher Präzision und Toleranzen mit Grad IT6 bei hochwertiger Oberflächengüte. Sie besitzen eine Feinverstellung mit einer Genauigkeit von radial 5 µm, wobei das Maß auf der Skala abgelesen und auch direkt an der Maschine eingestellt werden kann.

**E CARACTERÍSTICAS.** Los cabezales TRC permiten realizar operaciones de alta precisión con tolerancias de grado IT6 con un extraordinario acabado de la superficie. Tienen una sensibilidad de ajuste de 5 micras en radio, de fácil lectura en el nonio y corregibles directamente sobre la máquina.

**I CARATTERISTICHE.** Le testine TRC consentono lavorazioni di alta precisione con tolleranze di grado IT6 con ottima finitura superficiale. Hanno una sensibilità di regolazione di 5 micron sul raggio, facilmente leggibile sul nonio ed eseguibile anche in macchina.



**TRC 14**  
Ø 14.5 ~ 18



**TRC 16**  
Ø 18 ~ 24



**TRC 20**  
Ø 22 ~ 30



**TRC 25**  
Ø 28 ~ 40



**TRC 32**  
Ø 35 ~ 53



**TRC 40**  
Ø 48 ~ 66



**TRC 50**  
Ø 2.5 ~ 110



**TRC 63**  
Ø 6 ~ 125



**TRC 80**  
Ø 6 ~ 200

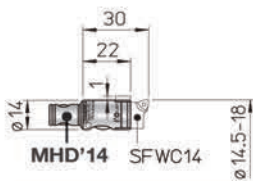
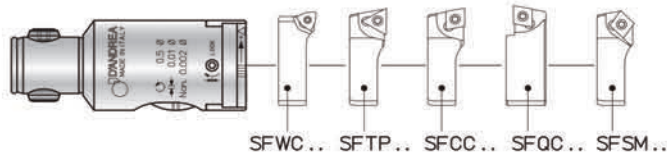




# D'ANDREA MODULHARD'ANDREA

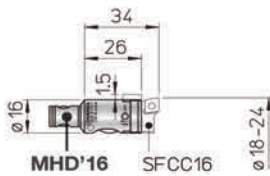
**TRC 14~40** Ø 14.5 ~ 66

• TESTAROSSA

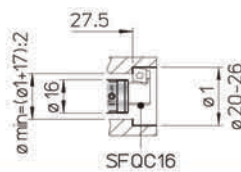


MHD'14 SFWC14

**TRC 14**  
Ø 14.5 ~ 18

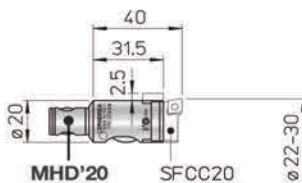


MHD'16 SFCC16

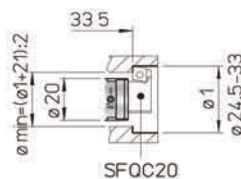


SFQC16

**TRC 16**  
Ø 18 ~ 24

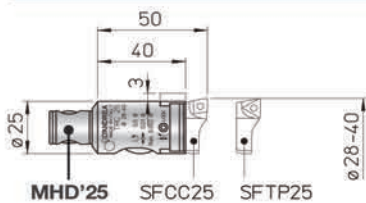


MHD'20 SFCC20

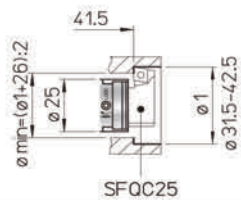


SFQC20

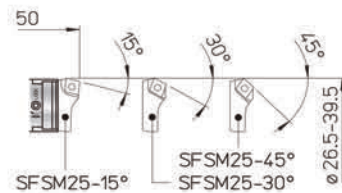
**TRC 20**  
Ø 22 ~ 30



MHD'25 SFCC25 SFTP25

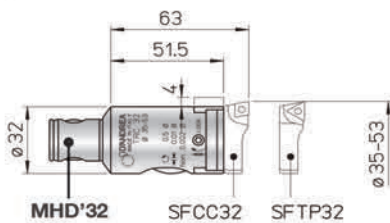


SFQC25

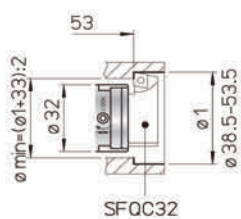


SFSM25-15° SFSM25-45° SFSM25-30°

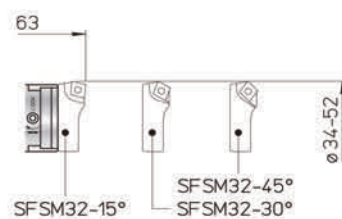
**TRC 25**  
Ø 28 ~ 40



MHD'32 SFCC32 SFTP32

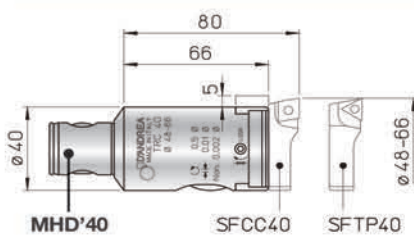


SFQC32

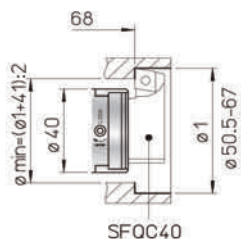


SFSM32-15° SFSM32-45° SFSM32-30°

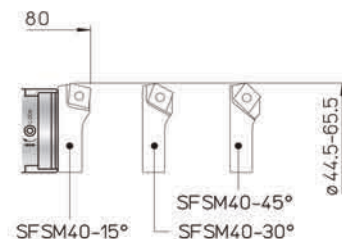
**TRC 32**  
Ø 35 ~ 53



MHD'40 SFCC40 SFTP40



SFQC40



SFSM40-15° SFSM40-45° SFSM40-30°

**TRC 40**  
Ø 48 ~ 66

**D'ANDREA**



• TESTAROSSA

**TRC**

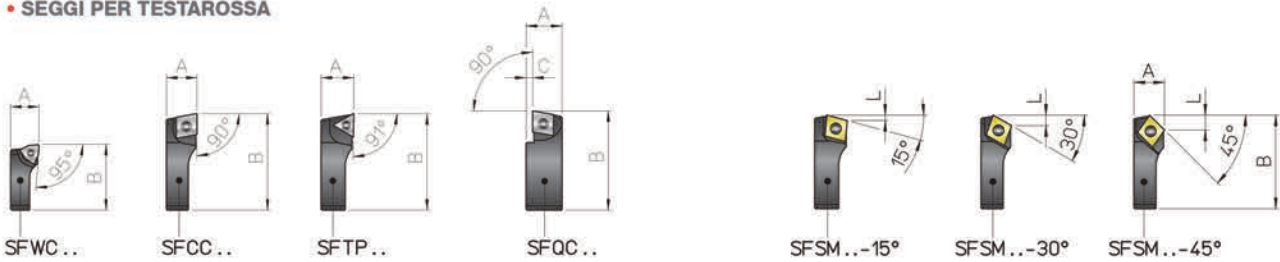


**10 μm**  
nonio  
vernier **2 μm**

REF.	CODE	Kg.
TRC 14	45 50 114 0030 1	0.02
TRC 16	45 50 116 0034 1	0.05
TRC 20	45 50 120 0040 1	0.1
TRC 25	45 50 125 0050 1	0.2
TRC 32	45 50 132 0063 1	0.35
TRC 40	45 50 140 0080 1	0.7

- BIT-HOLDERS FOR TESTAROSSA
- PLATTENHALTER FÜR TESTAROSSA
- PORTA-PLAQUITAS PARA TESTAROSSA
- PORTE-PLAQUETTES POUR TESTAROSSA
- SEGGI PER TESTAROSSA

**SF**



REF.	CODE	A	B	C	L						Kg.
SFWC 14	47 050 05 14 002	8	14	-	-	WCGT 0201..	-	-	TS 211	TORX T06	0.003
SFCC 16	47 050 05 16 002	8	17	-	-	-	-	-	-	-	0.003
SFCC 20	47 050 05 20 002	8.5	21	-	-	-	CCGT 0602..	-	TS 25	TORX T08	0.005
SFCC 25	47 050 05 25 002	10	26.5	-	-	-	-	-	-	-	0.01
SFCC 32	47 050 05 32 002	11.5	34.5	-	-	-	-	-	-	-	0.02
SFCC 40	47 050 05 40 002	14	44	-	-	-	CCGT 09T3..	-	TS 4	TORX T15	0.04
SFTP 25	47 050 05 25 001	10	26.5	-	-	-	-	TPGX 0902..	CS 250T	TORX T08	0.01
SFTP 32	47 050 05 32 001	11.5	34.5	-	-	-	-	-	-	-	0.02
SFTP 40	47 050 05 40 001	14	44	-	-	-	-	TPGX 1103..	CS 300890T	-	0.04
SFQC 16	47 050 05 16 062	10	18	2	-	-	-	-	-	-	0.005
SFQC 20	47 050 05 20 062	10.5	22.5	-	-	-	CCMT 0602..	-	TS 25	TORX T08	0.008
SFQC 25	47 050 05 25 062	12	28.5	2.5	-	-	-	-	-	-	0.01
SFQC 32	47 050 05 32 062	13.5	35.5	-	-	-	-	-	-	-	0.03
SFQC 40	47 050 05 40 062	16.5	46	3	-	-	CCMT 09T3..	-	TS 4	TORXT15	0.06
SFSM 25-15°	47 050 05 25 011	10	25.5	-	1.6	-	-	-	-	-	0.01
SFSM 25-30°	47 050 05 25 013			-	3	-	-	-	-	-	
SFSM 25-45°	47 050 05 25 015			-	4.3	-	-	-	-	-	
SFSM 32-15°	47 050 05 32 011	11.5	33.5	-	1.6	-	CCMT 0602..	-	TS 25	TORX T08	0.02
SFSM 32-30°	47 050 05 32 013			-	3	-	-	-	-	-	
SFSM 32-45°	47 050 05 32 015			-	4.3	-	-	-	-	-	
SFSM 40-15°	47 050 05 40 011	14	42.5	-	2.4	-	-	-	-	-	0.03
SFSM 40-30°	47 050 05 40 013			-	4.6	-	CCMT 09T3..	-	TS 4	TORXT15	
SFSM 40-45°	47 050 05 40 015			-	6.5	-	-	-	-	-	

**D'ANDREA**

# D'ANDREA MODULHARD'ANDREA

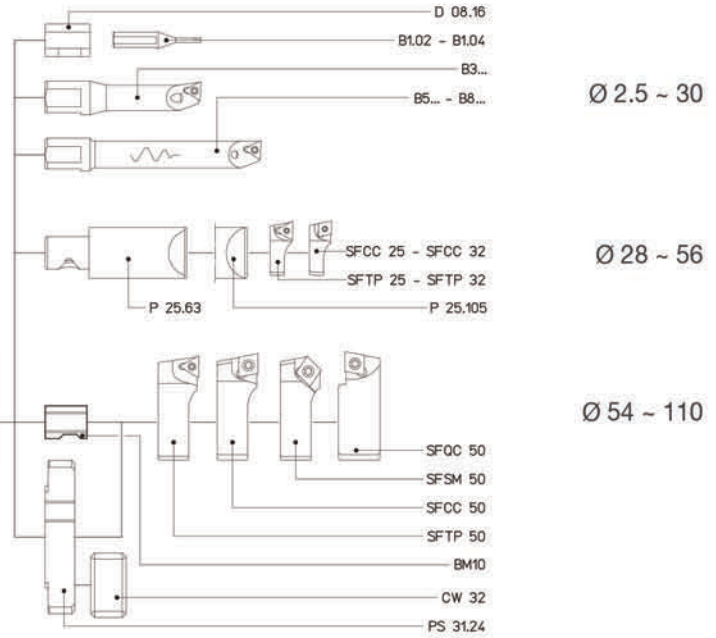
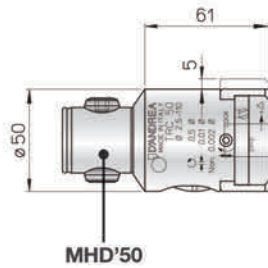
**TRC 50** Ø 2.5 ~ 110

• TESTAROSSA



**10 µm**

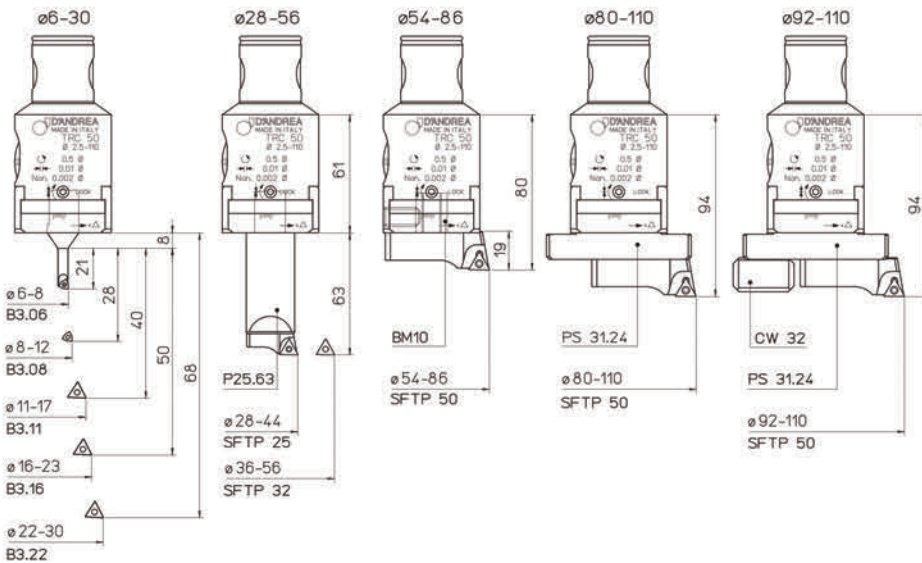
nonio  
vernier 2 µm



REF.	CODE	Kg.
TRC 50	45 50 150 0080 1	1

**KIT K01**

Ø 6 ~ 110



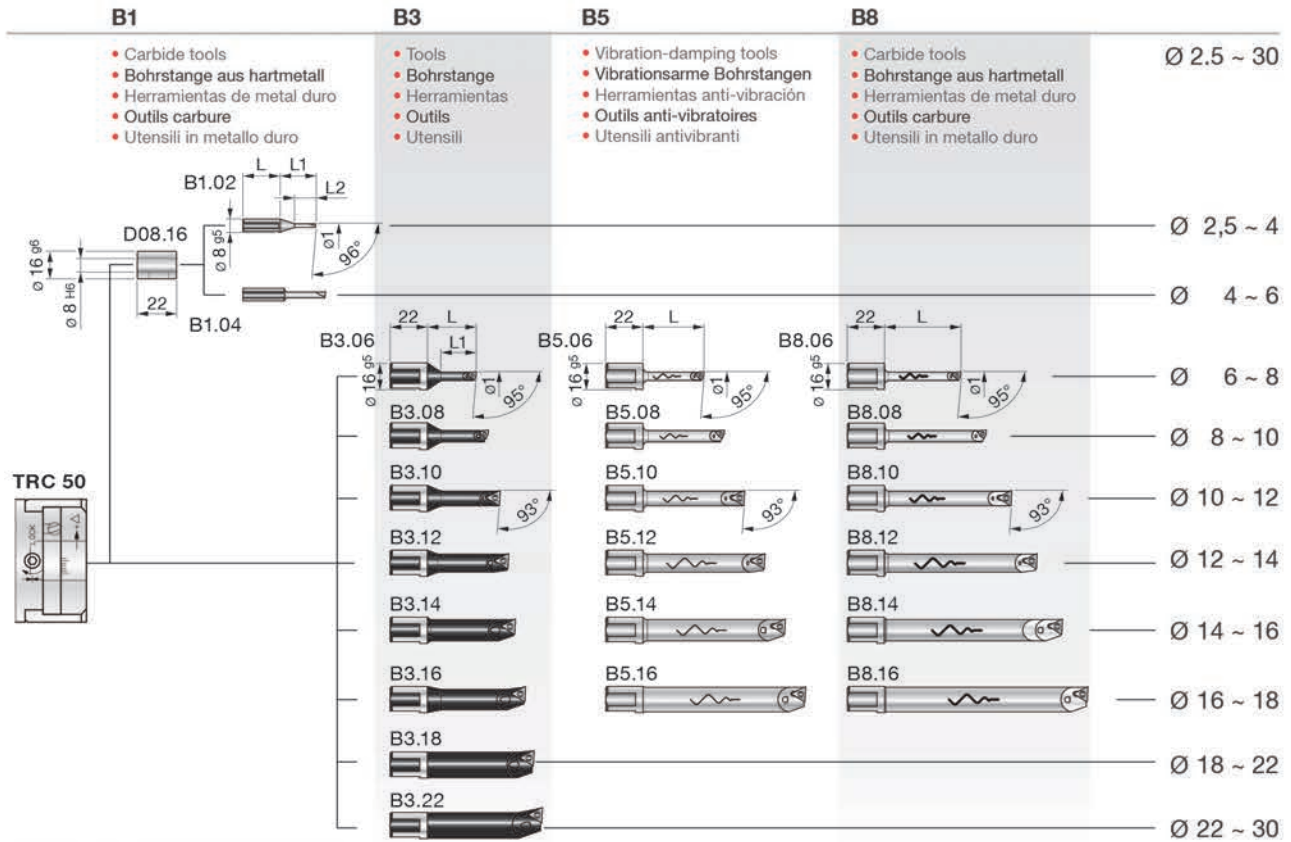
K01 TRC 50		
1 TRC 50	1 B3.06	1 SFTP25
1 P25.63	1 B3.08	1 SFTP32
1 BM10	1 B3.11	1 SFTP50
1 PS 31.24	1 B3.16	
1 CW 32	1 B3.22	
5 TPGX 090202L DC100		
1 TPGX 110302L DC100		
2 WCGT 020102L DC100		

REF.	CODE	Ø
K01 TRC 50	65 50 150 1050 2	6 - 110

**D'ANDREA**







REF.	CODE	Kg.
D08.16	20 056 01 16 08 2	0.02

REF.	CODE	Ø1	L	L1	L2	Kg.
B1.02	57 201 05 02 001	2.5 ~ 4	22	21	12.5	0.02
B1.04	57 201 05 04 001	4 ~ 6	24	24	-	-

REF.	CODE	Ø1	L	L1	⊖	⚠	⌚	🔧	Kg.
B3.06	57 201 05 06 001	6 ~ 8	29	21	WCGT 0201..	-	TS 21	TORX T06	0.035
B3.08	57 201 05 08 001	8 ~ 10	36	28			TS 211		0.04
B3.10	57 201 05 10 001	10 ~ 12	43	35					0.05
B3.11	57 201 05 11 001	11 ~ 13	48	40					0.055
B3.12	57 201 05 12 001	12 ~ 14	48	42					0.06
B3.14	57 201 05 14 001	14 ~ 16	52	50	-	TPGX 0902..	CS 250 T	TORX T08	0.07
B3.16	57 201 05 16 001	16 ~ 18	58	-					-
B3.18	57 201 05 18 001	18 ~ 22	63	-					0.1
B3.22	57 201 05 22 001	22 ~ 30	68	-					-

B5.06	57 201 05 06 105	6 ~ 8	36	-	WCGT 0201..	-	TS 21	TORX T06	0.075
B5.08	57 201 05 08 105	8 ~ 10	48	-			TS 211		0.09
B5.10	57 201 05 10 105	10 ~ 12	60	-					0.1
B5.12	57 201 05 12 105	12 ~ 14	72	-					-
B5.14	57 201 05 14 105	14 ~ 16	84	-	-	TPGX 0902..	CS 250 T	TORX T08	0.2
B5.16	57 201 05 16 105	16 ~ 18	96	-					0.3

B8.06	57 201 05 06 108	6 ~ 8	45	-	WCGT 0201..	-	TS 21	TORX T06	0.065
B8.08	57 201 05 08 108	8 ~ 10	60	-			TS 211		0.08
B8.10	57 201 05 10 108	10 ~ 12	75	-					0.1
B8.12	57 201 05 12 108	12 ~ 14	90	-					-
B8.14	57 201 05 14 108	14 ~ 16	105	-	-	TPGX 0902..	CS 250 T	TORX T08	0.2
B8.16	57 201 05 16 108	16 ~ 18	120	-					0.3

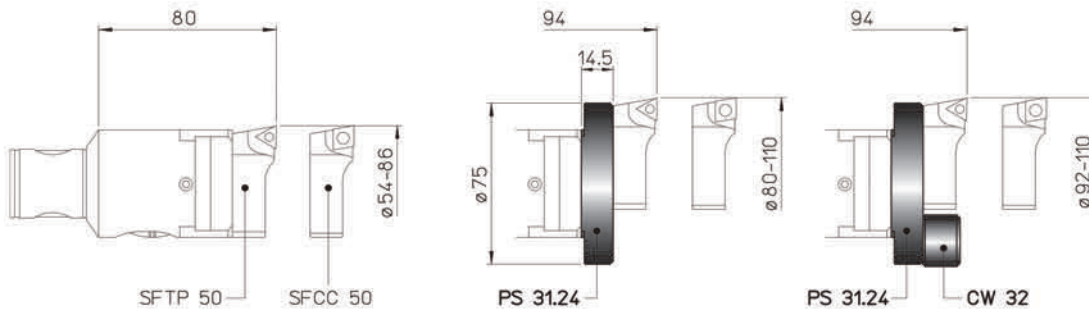
**D'ANDREA**



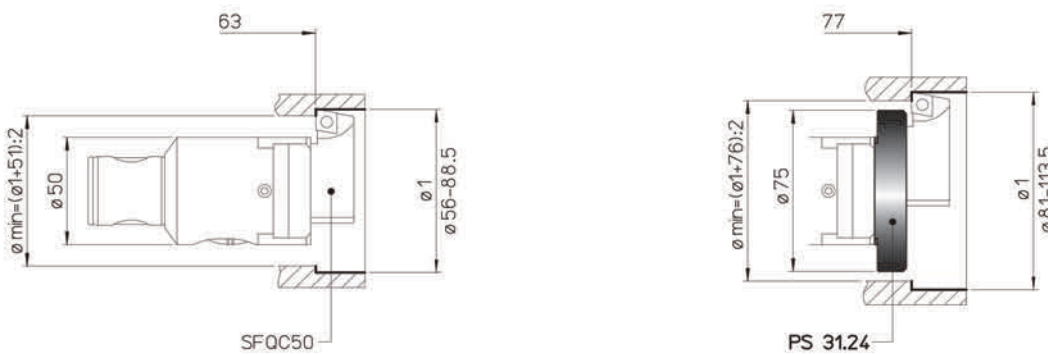
### TRC 50 Ø 52 ~ 113.5

- TOOLHOLDERS FOR TESTAROSSA
- WERKZEUGE FÜR TESTAROSSA
- PORTAHERRAMIENTAS PARA TESTAROSSA
- PORTE-OUTILS POUR TESTAROSSA
- PORTAUTENSILI PER TESTAROSSA

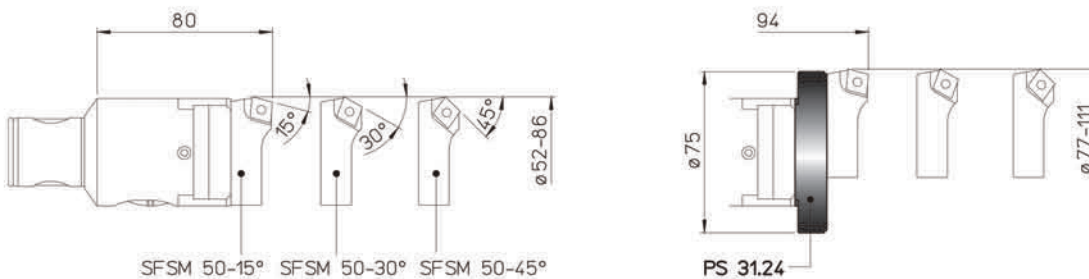
**PS 31**  
**CW 32**  
Ø 54 ~ 110



**PS 31**  
Ø 56 ~ 113.5



**PS 31**  
Ø 52 ~ 111

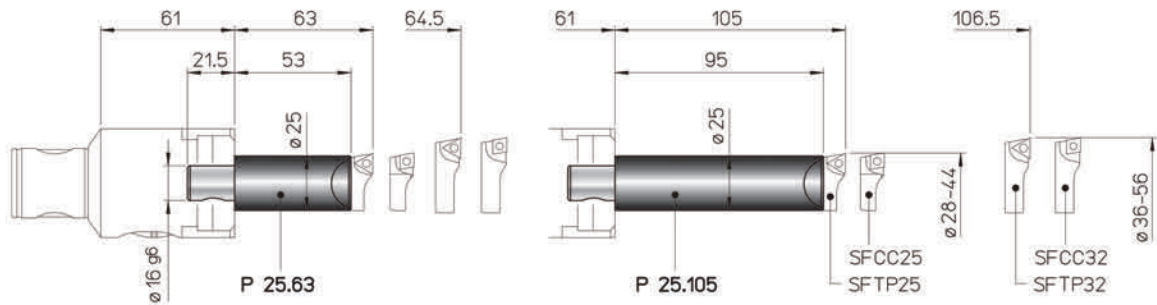


REF.	CODE	Kg.
PS 31.24	43 30 24 14 075 1	0.2
CW 32	39 20 110 032 01	0.5



- TOOLHOLDERS FOR TESTAROSSA
- WERKZEUGE FÜR TESTAROSSA
- PORTAHERRAMIENTAS PARA TESTAROSSA
- PORTE-OUTILS POUR TESTAROSSA
- PORTAUTENSILI PER TESTAROSSA

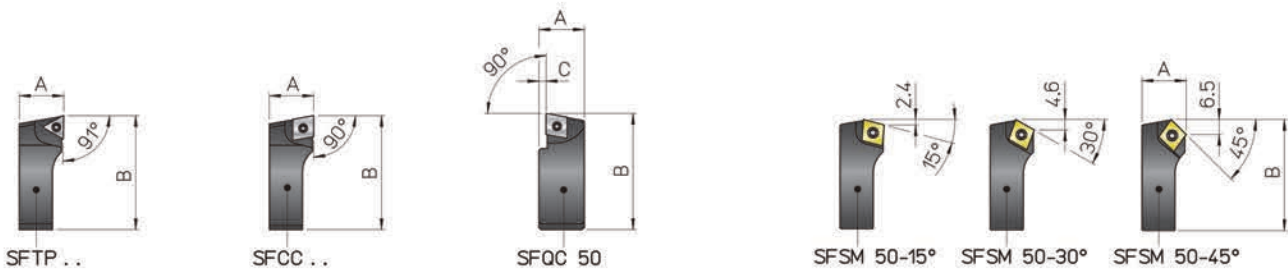
**PS 25**  
Ø 28 ~ 56



REF.	CODE	Kg.
P25.63	43 51 16 25 063 0	0.5
P25.105	43 51 16 25 105 0	0.8

- BIT-HOLDERS FOR TESTAROSSA
- PLATTENHALTER FÜR TESTAROSSA
- PORTA-PLAQUITAS PARA TESTAROSSA
- PORTE-PLAQUETTES POUR TESTAROSSA
- SEGGI PER TESTAROSSA

**SF**



REF.	CODE	A	B	C	△	□	⌢	⌘	Kg.
SFTP 25	47 050 05 25 001	10	26.5	-	TPGX 0902..	-	CS 250T	TORX T08	0.01
SFTP 32	47 050 05 32 001	11.5	34.5	-	-	-	CS 300890T		0.02
SFTP 50	47 050 05 50 001	19	52	-	TPGX 1103..	-	-		0.08
SFCC 25	47 050 05 25 002	10	26.5	-	-	CCGT 0602..	TS 25	TORX T08	0.01
SFCC 32	47 050 05 32 002	11.5	34.5	-	-	-	-	TORX T08	0.02
SFCC 50	47 050 05 50 002	19	52	-	-	CCGT 09T3..	TS 4	TORX T15	0.08
SFQC 50	47 050 05 50 062	20.5	53	3	-	CCMT 09T3..	TS 4	TORXT15	0.1
SFSM 50-15°	47 050 05 50 011	19	50.5	-	-	CCMT 09T3..	TS 4	TORXT15	0.07
SFSM 50-30°	47 050 05 50 013								
SFSM 50-45°	47 050 05 50 015								

**D'ANDREA**

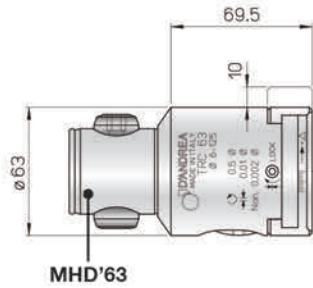
# D'ANDREA MODUL HARD'ANDREA

**TRC 63** Ø 6 ~ 125

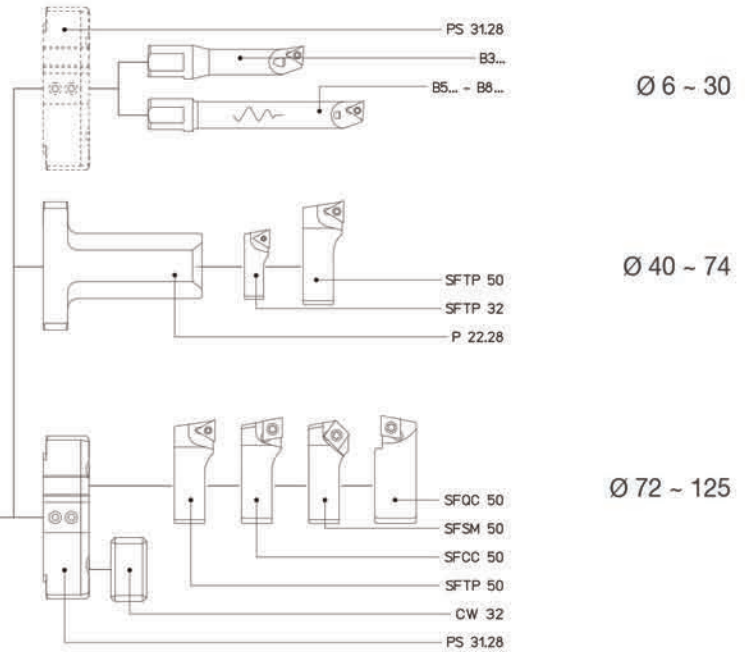
• TESTAROSSA



**10 μm**  
nonio  
vernier **2 μm**

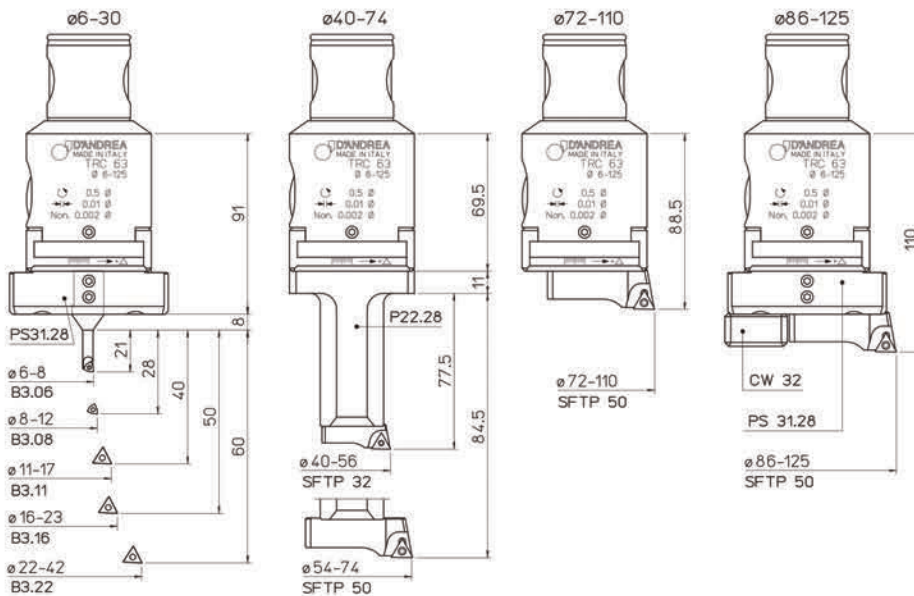


MHD'63



REF.	CODE	Kg.
TRC 63	45 50 163 0100 1	2

**KIT K01**  
Ø 6 ~ 125

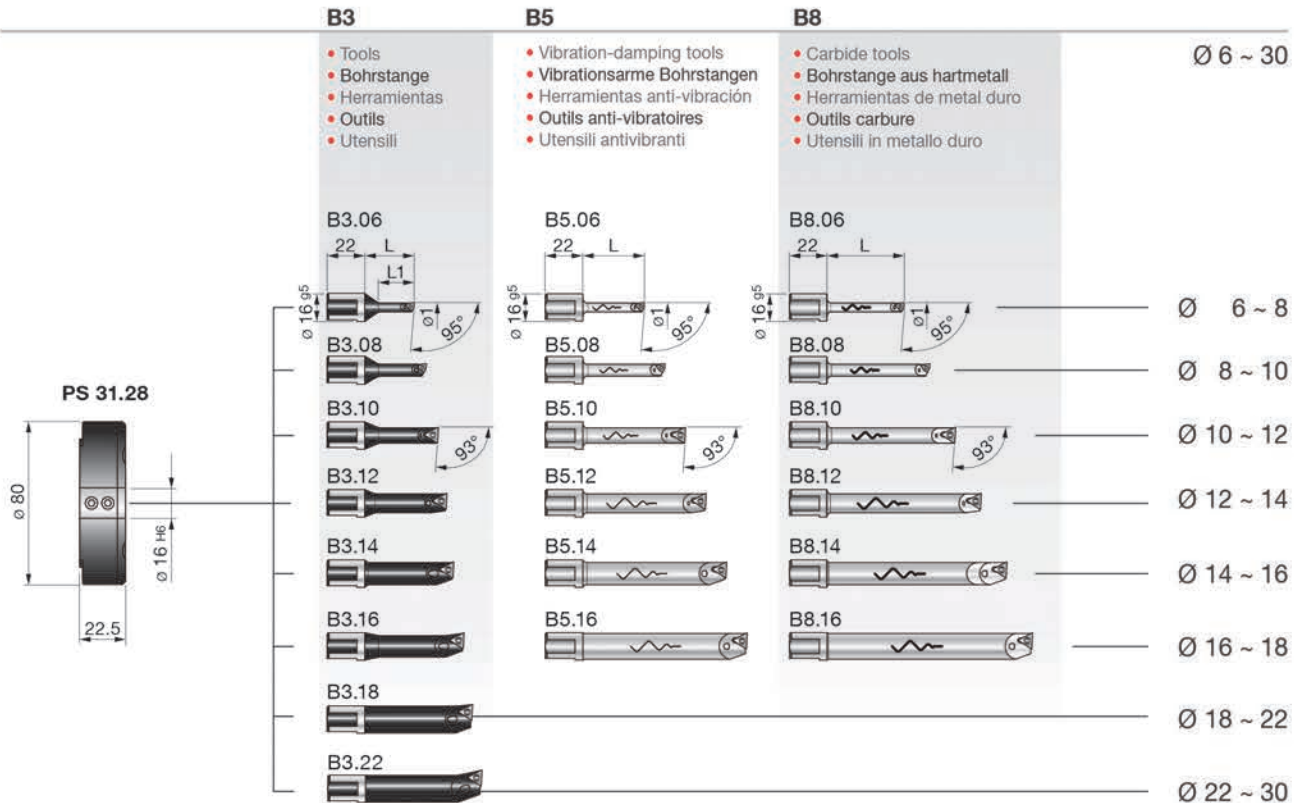


K01 TRC 63	
1 TRC 63	
1 PS31.28	1 B3.06
1 CW 32	1 B3.08
1 P22.28	1 B3.11
1 SFTP32	1 B3.16
1 SFTP50	1 B3.22
5 TPGX 090202L DC100	
1 TPGX 110302L DC100	
2 WCGT 020102L DC100	

REF.	CODE	Ø
K01 TRC 63	65 50 163 1063 2	6 ~ 125

**D'ANDREA**





REF.	CODE	Kg.
PS 31.28	43 30 28 22 080 1	0.3

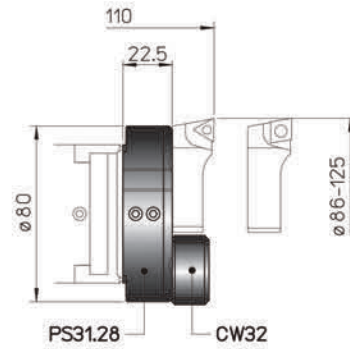
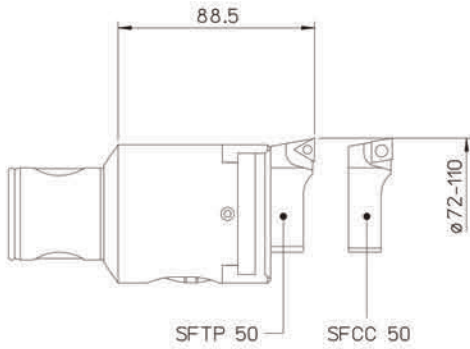
REF.	CODE	Ø1	L	L1	⊖	⊕	⌢	🔑	Kg.
B3.06	57 201 05 06 001	6 - 8	29	21	WCGT 0201..	-	TS 21	TORX T06	0.035
B3.08	57 201 05 08 001	8 - 10	36	28					0.04
B3.10	57 201 05 10 001	10 - 12	43	35	-	TPGX 0902..	CS 250 T	TORX T08	0.05
B3.11	57 201 05 11 001	11 - 13	48	40					0.055
B3.12	57 201 05 12 001	12 - 14	48	42					0.06
B3.14	57 201 05 14 001	14 - 16	52	50	-	TPGX 0902..	CS 250 T	TORX T08	0.07
B3.16	57 201 05 16 001	16 - 18	58	50					0.07
B3.18	57 201 05 18 001	18 - 22	63	-	-	TPGX 0902..	CS 250 T	TORX T08	0.1
B3.22	57 201 05 22 001	22 - 30	68	-					0.1
B5.06	57 201 05 06 105	6 - 8	36	-	WCGT 0201..	-	TS 21	TORX T06	0.075
B5.08	57 201 05 08 105	8 - 10	48						0.09
B5.10	57 201 05 10 105	10 - 12	60	-	-	TPGX 0902..	CS 250 T	TORX T08	0.1
B5.12	57 201 05 12 105	12 - 14	72						0.2
B5.14	57 201 05 14 105	14 - 16	84						0.3
B5.16	57 201 05 16 105	16 - 18	96	-	-	TPGX 0902..	CS 250 T	TORX T08	0.3
B8.06	57 201 05 06 108	6 - 8	45	-					WCGT 0201..
B8.08	57 201 05 08 108	8 - 10	60		0.08				
B8.10	57 201 05 10 108	10 - 12	75	-	-	TPGX 0902..	CS 250 T	TORX T08	0.1
B8.12	57 201 05 12 108	12 - 14	90						0.2
B8.14	57 201 05 14 108	14 - 16	105						0.3
B8.16	57 201 05 16 108	16 - 18	120	-	-	TPGX 0902..	CS 250 T	TORX T08	0.3
B8.16	57 201 05 16 108	16 - 18	120	-					0.3



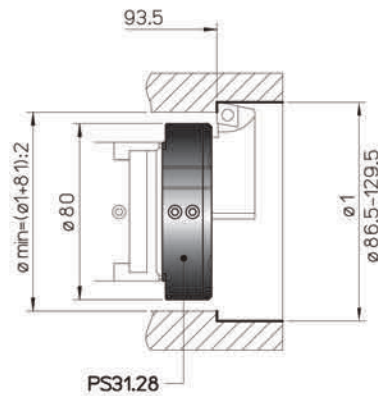
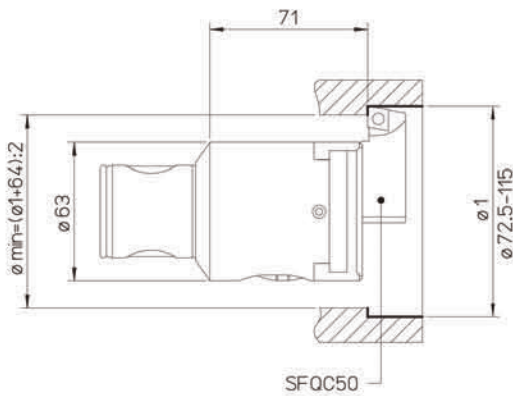
### TRC 63 Ø 69 ~ 129.5

- TOOLHOLDERS FOR TESTAROSSA
- WERKZEUGE FÜR TESTAROSSA
- PORTAHERRAMIENTAS PARA TESTAROSSA
- PORTE-OUTILS POUR TESTAROSSA
- PORTAUTENSILI PER TESTAROSSA

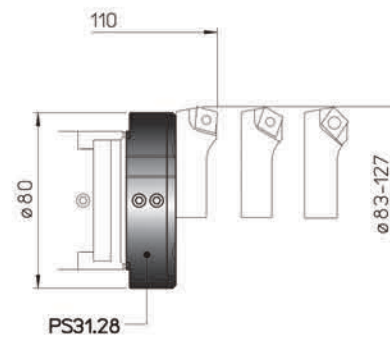
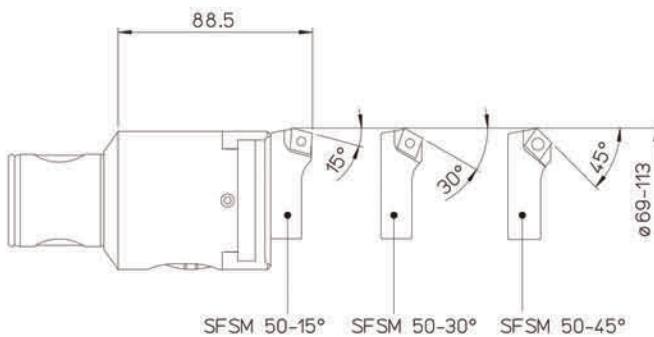
**PS 31**  
**CW 32**  
Ø 72-125



**PS 31**  
Ø 72.5 ~ 129.5



**PS 31**  
Ø 69 ~ 127

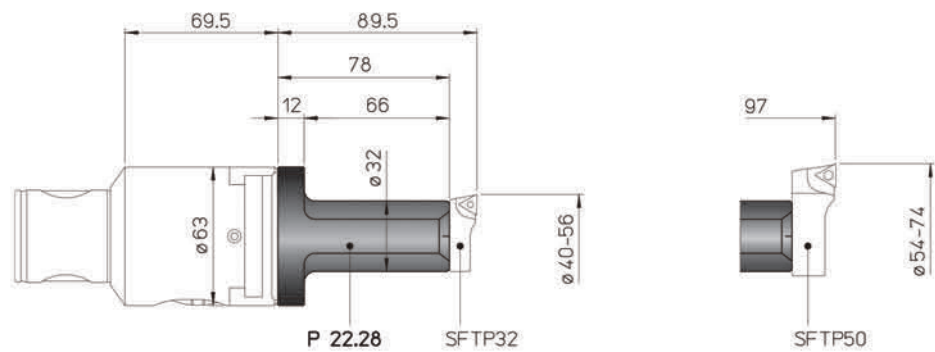


REF.	CODE	Kg.
PS 31.28	43 30 28 22 080 1	0.3
CW 32	39 20 110 032 01	0.5



- TOOLHOLDERS FOR TESTAROSSA
- WERKZEUGE FÜR TESTAROSSA
- PORTAHERRAMIENTAS PARA TESTAROSSA
- PORTE-OUTILS POUR TESTAROSSA
- PORTAUTENSILI PER TESTAROSSA

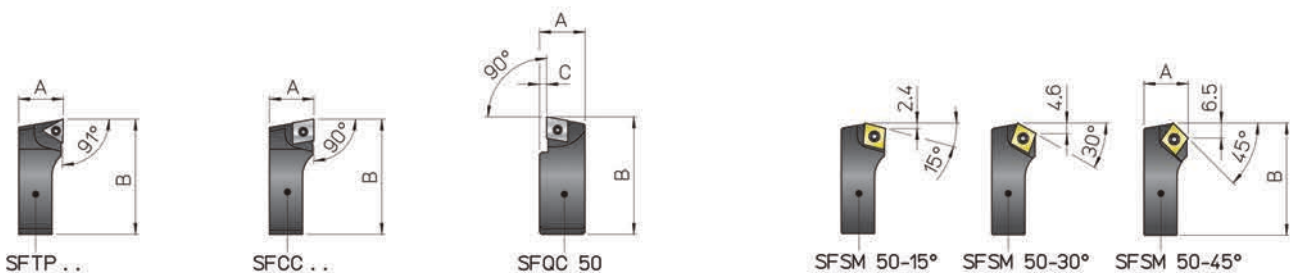
**P 22**  
Ø 40 ~ 74



REF.	CODE	Ø
P 22.28	43 30 28 22 063 1	0.45

- BIT-HOLDERS FOR TESTAROSSA
- PLATTENHALTER FÜR TESTAROSSA
- PORTA-PLAQUITAS PARA TESTAROSSA
- PORTE-PLAQUETTES POUR TESTAROSSA
- SEGGI PER TESTAROSSA

**SF**



REF.	CODE	A	B	C	△	⊖	⌢	⌘	Kg.
SFTP 32	47 050 05 32 001	11.5	34.5	-	TPGX 0902..	-	CS 250T	TORX T08	0.02
SFTP 50	47 050 05 50 001	19	52	-	TPGX 1103..	-	CS 300890T		0.08
SFCC 50	47 050 05 50 002	19	52	-	-	CCGT 09T3..	TS 4	TORX T15	0.08
SFQC 50	47 050 05 50 062	20.5	53	3	-	CCMT 09T3..	TS 4	TORXT15	0.1
SF5M 50-15°	47 050 05 50 011	19	50.5	-	-	CCMT 09T3..	TS 4	TORXT15	0.07
SF5M 50-30°	47 050 05 50 013								
SF5M 50-45°	47 050 05 50 015								

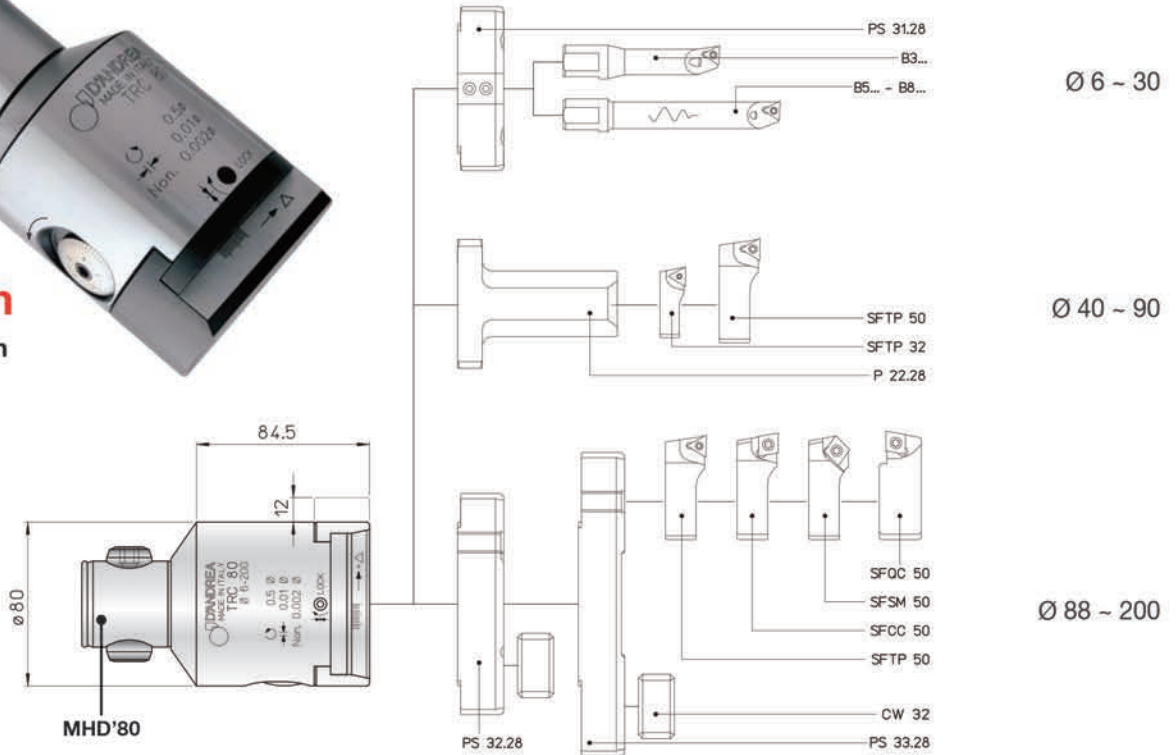
# D'ANDREA MODULHARD'ANDREA

**TRC 80** Ø 6 ~ 200

• TESTAROSSA

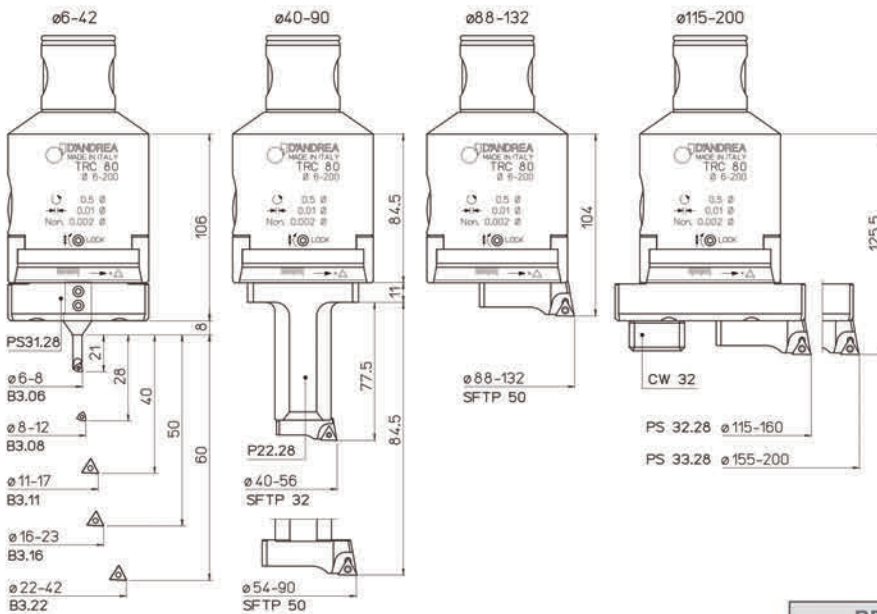


**10 μm**  
nonio  
vernier 2 μm



REF.	CODE	Kg.
TRC 80	45 50 180 0120 1	3.8

**KIT K01**  
Ø 6 ~ 200

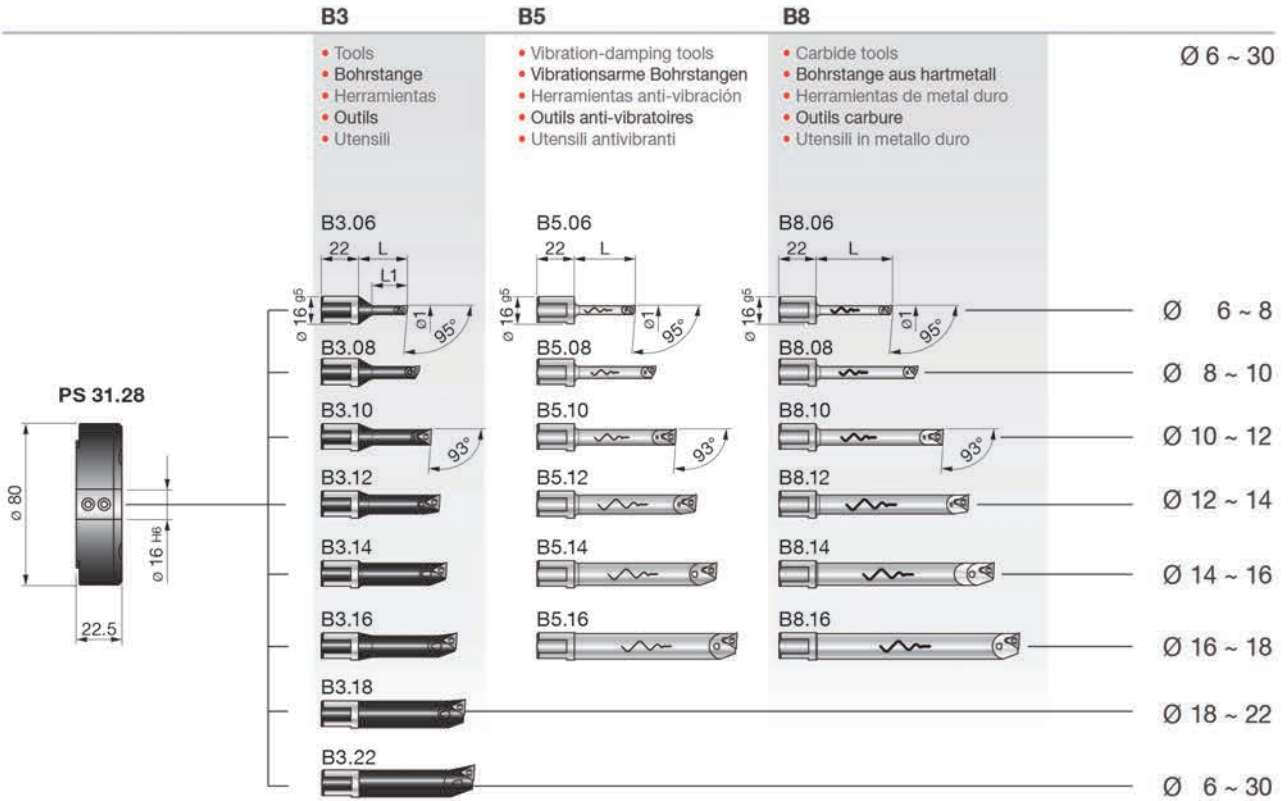


K01 TRC 80		
1 TRC 80	1 B3.06	1 SFTP32
1 PS31.28	1 B3.08	1 SFTP50
1 PS32.28	1 B3.11	
1 PS33.28	1 B3.16	
1 CW 32	1 B3.22	
1 P22.28		
5 TPGX 090202L DC100		
1 TPGX 110302L DC100		
2 WCGT 020102L DC100		

REF.	CODE	Ø
K01 TRC 80	65 50 180 1080 2	6 ~ 200

**D'ANDREA**





REF.	CODE	Kg.
PS 31.28	43 30 28 22 080 1	0.3

REF.	CODE	Ø1	L	L1	⊖	⊖	⊖	⊖	Kg.
B3.06	57 201 05 06 001	6 - 8	29	21	WCGT 0201..	-	TS 21	TORX T06	0.035
B3.08	57 201 05 08 001	8 - 10	36	28			TS 211		0.04
B3.10	57 201 05 10 001	10 - 12	43	35	-	TPGX 0902..	CS 250 T	TORX T08	0.05
B3.11	57 201 05 11 001	11 - 13	48	40					0.055
B3.12	57 201 05 12 001	12 - 14	48	42					0.06
B3.14	57 201 05 14 001	14 - 16	52	50					0.07
B3.16	57 201 05 16 001	16 - 18	58	-	-	-	-	-	0.1
B3.18	57 201 05 18 001	18 - 22	63	-					
B3.22	57 201 05 22 001	22 - 30	68	-					
B5.06	57 201 05 06 105	6 - 8	36	-	WCGT 0201..	-	TS 21	TORX T06	0.075
B5.08	57 201 05 08 105	8 - 10	48	-			TS 211		0.09
B5.10	57 201 05 10 105	10 - 12	60	-	-	TPGX 0902..	CS 250 T	TORX T08	0.1
B5.12	57 201 05 12 105	12 - 14	72	-					0.2
B5.14	57 201 05 14 105	14 - 16	84	-					0.2
B5.16	57 201 05 16 105	16 - 18	96	-					0.3
B8.06	57 201 05 06 108	6 - 8	45	-	WCGT 0201..	-	TS 21	TORX T06	0.065
B8.08	57 201 05 08 108	8 - 10	60	-			TS 211		0.08
B8.10	57 201 05 10 108	10 - 12	75	-	-	TPGX 0902..	CS 250 T	TORX T08	0.1
B8.12	57 201 05 12 108	12 - 14	90	-					0.2
B8.14	57 201 05 14 108	14 - 16	105	-					0.2
B8.16	57 201 05 16 108	16 - 18	120	-					0.3

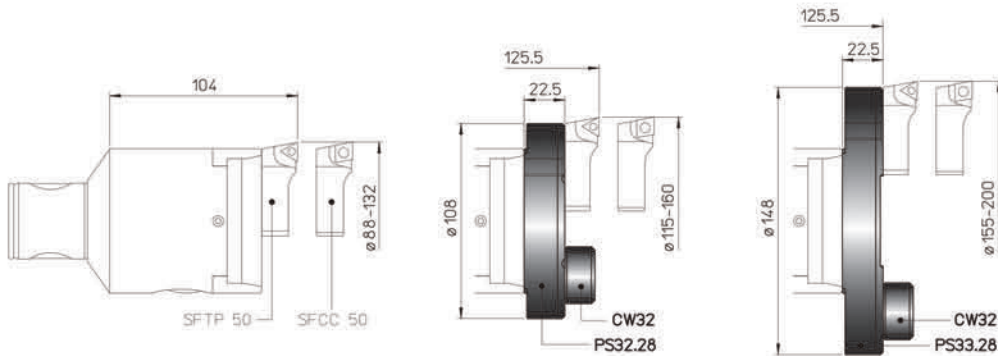
**D'ANDREA**



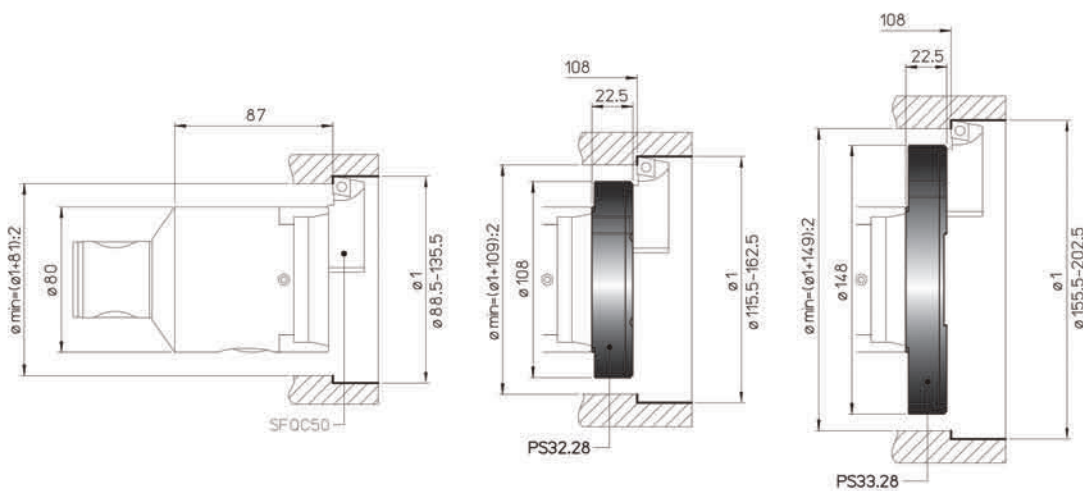
## TRC 80 Ø 85 ~ 202.5

- TOOLHOLDERS FOR TESTAROSSA
- WERKZEUGE FÜR TESTAROSSA
- PORTAHERRAMIENTAS PARA TESTAROSSA
- PORTE-OUTILS POUR TESTAROSSA
- PORTAUTENSILI PER TESTAROSSA

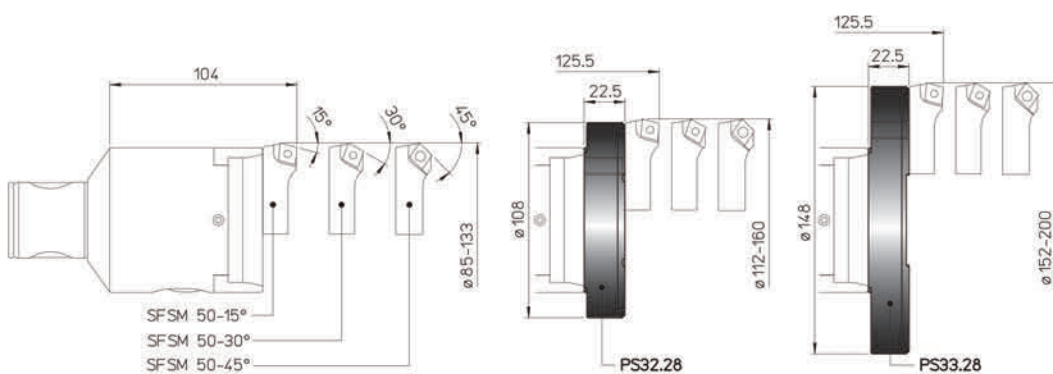
**PS**  
**CW 32**  
Ø 88~ 200



**PS**  
Ø 88.5 ~ 202.5



**PS**  
Ø 85 ~ 200

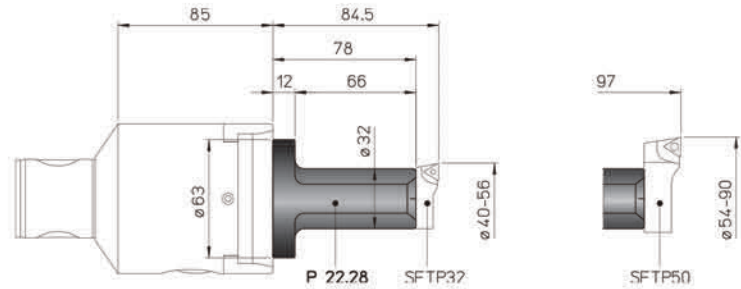


REF.	CODE	Kg.
PS 32.28	43 30 28 22 108 1	0.5
PS 33.28	43 30 28 22 148 1	0.6
CW 32	39 20 110 032 01	0.5



- TOOLHOLDERS FOR TESTAROSSA
- WERKZEUGE FÜR TESTAROSSA
- PORTAHERRAMIENTAS PARA TESTAROSSA
- PORTE-OUTILS POUR TESTAROSSA
- PORTAUTENSILI PER TESTAROSSA

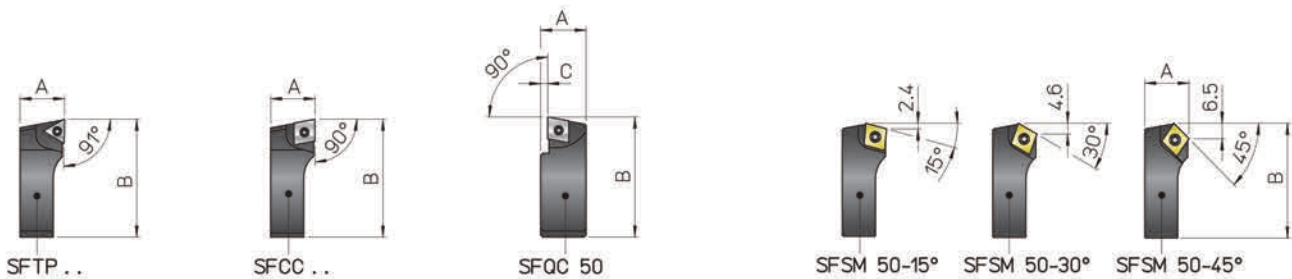
**P 22**  
Ø 40 ~ 90



REF.	CODE	Kg.
P 22.28	43 30 28 22 063 1	0.45

- BIT-HOLDERS FOR TESTAROSSA
- PLATTENHALTER FÜR TESTAROSSA
- PORTA-PLAQUITAS PARA TESTAROSSA
- PORTE-PLAQUETTES POUR TESTAROSSA
- SEGGI PER TESTAROSSA

**SF**

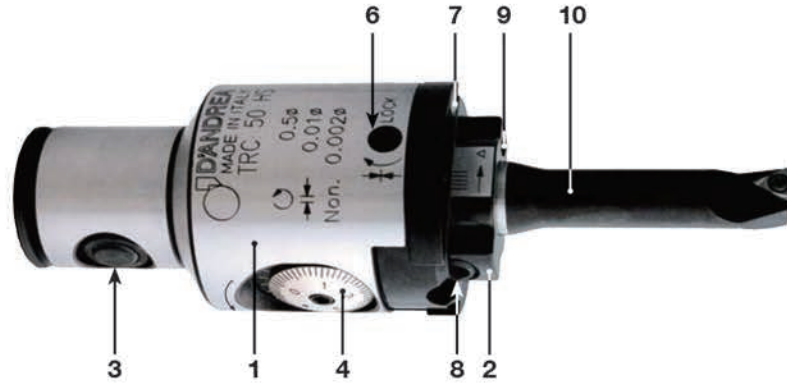


REF.	CODE	A	B	C	△	⊖	⊓	⊔	Kg.
SFTP 32	47 050 05 32 001	11.5	34.5	-	TPGX 0902..	-	CS 250T	TORX T08	0.02
SFTP 50	47 050 05 50 001	19	52	-	TPGX 1103..	-	CS 300890T		0.08
SFCC 50	47 050 05 50 002	19	52	-	-	CCGT 09T3..	TS 4	TORX T15	0.08
SFQC 50	47 050 05 50 062	20.5	53	3	-	CCMT 09T3..	TS 4	TORXT15	0.1
SF5M 50-15°	47 050 05 50 011	19	50.5	-	-	CCMT 09T3..	TS 4	TORXT15	0.07
SF5M 50-30°	47 050 05 50 013								
SF5M 50-45°	47 050 05 50 015								

### TRC HS

RPM MAX 12.000

Ø 2.5 ~ 22



10 µm  
nonio  
vernier 2 µm



- 1 • Body  
• Körper  
• Cuerpo  
• Corps  
• Corpo
- 2 • Slide toolholder  
• Werkzeugschlitten  
• Guía portaherramientas  
• Coulisseau  
• Slitta portautensili
- 3 • Expanding radial pin  
• Spreizbolzen  
• Perno radial expansible  
• Tige radiale expansible  
• Perno radiale espandibile
- 4 • Vernier scale  
• Nonius  
• Nonio  
• Vernier  
• Nonio
- 5 • Micrometric vernier scale  
• Mikrometrischer Nonius  
• Nonio micrométrico  
• Vernier micrométrique  
• Nonio micrometrico

TRC 32 HS  
Ø 2.5 ~ 18



TRC 50 HS  
Ø 2.5 ~ 22



**KR** IT6 공차의 매우 정교한 작업 또는 우수한 표면 조도가 요한 작업은 TRC HS HEAD 사용으로 해결할 수 있습니다. TRC HS HEAD 는 매우 정교하며 5 마이크로미터의 Radial 조정은 눈금으로 쉽게 읽을 수 있고 장비에서 즉시 효과를 확인 할 수 있습니다.

**GB FEATURES.** High precision work to IT6 tolerance, with excellent surface finish, is achieved using TRC HS boring heads. These are very sensitive and radial correction of 5 micron can be effected directly on the machine and easily read on the vernier scale.

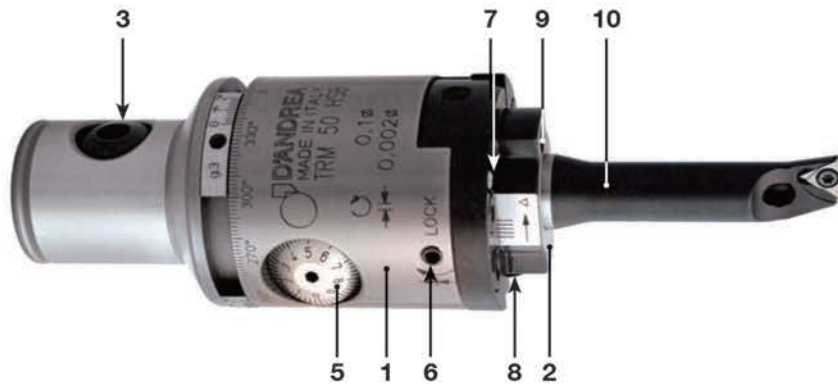
**D MERKMALE.** Die TRC HS Köpfe ermöglichen Bearbeitungen mit hoher Präzision und Toleranzen mit Grad IT6 bei hochwertiger Oberflächengüte. Sie besitzen eine Feinverstellung mit einer Genauigkeit von radial 5 µm, wobei das Maß auf der Skala abgelesen und auch direkt an der Maschine eingestellt werden kann.

**E CARACTERÍSTICAS.** Los cabezales TRC HS permiten realizar operaciones de alta precisión con tolerancias de grado IT6 con un extraordinario acabado de la superficie. Tienen una sensibilidad de ajuste de 5 micras en radio, de fácil lectura en el nonio y corregibles directamente sobre la máquina.

**I CARATTERISTICHE.** Le testine TRC HS consentono lavorazioni di alta precisione con tolleranze di grado IT6 con ottima finitura superficiale. Hanno una sensibilità di regolazione di 5 micron sul raggio, facilmente leggibile sul nonio ed eseguibile anche in macchina.







**TRM HSB**  
RPM MAX 20.000  
Ø 2.5 ~ 22

2 µm



- 6 • Slide clamp screw  
• Schlittenklemmschraube  
• Tornillo bloqueo guía  
• Vis blocage coulisseau  
• Vite bloccaggio slitta
- 7 • Coolant outlet  
• Kühlmittelaustritt  
• Agujero salida refrigerante  
• Sortie du liquide d'arrosage  
• Uscita refrigerante
- 8 • Tools clamp screws  
• Werkzeugklemmschrauben  
• Tornillo bloqueo herramienta  
• Vis blocage outil  
• Viti bloccaggio utensile
- 9 • Oiler  
• Schmiernippel  
• Engrasador  
• Graisseur  
• Oliatore
- 10 • Tool  
• Werkzeug  
• Herramienta  
• Outil  
• Utensile

TRM 32 HSB  
Ø 2.5 ~ 18



TRM 50 HSB  
Ø 2.5 ~ 22



**KR** IT6 공차의 매우 정교한 작업 또는 우수한 표면 조도가 요한 작업은 TRM HSB HEAD 사용으로 해결할 수 있습니다. TRM HSB HEAD 는 매우 정교하며 1 마이크로미터의 Radial 조정은 눈금으로 쉽게 읽을 수 있고 장비에서 즉시 효과를 확인 할 수 있습니다.

**GB FEATURES.** High precision work to IT6 tolerance, with excellent surface finish, is achieved using TRM HSB boring heads. These are very sensitive and radial correction of 1 micron can be effected directly on the machine and easily read on the vernier scale.

**D MERKMALE.** Die TRM HSB Köpfe ermöglichen Bearbeitungen mit hoher Präzision und Toleranzen mit Grad IT6 bei hochwertiger Oberflächengüte. Sie besitzen eine Feinverstellung mit einer Genauigkeit von radial 1 µm, wobei das Maß auf der Skala abgelesen und auch direkt an der Maschine eingestellt werden kann.

**E CARACTERÍSTICAS.** Los cabezales TRM HSB permiten realizar operaciones de alta precisión con tolerancias de grado IT6 con un extraordinario acabado de la superficie. Tienen una sensibilidad de ajuste de 1 micras en radio, de fácil lectura en el nonio y corregibles directamente sobre la máquina.

**I CARATTERISTICHE.** Le testine TRM HSB consentono lavorazioni di alta precisione con tolleranze di grado IT6 con ottima finitura superficiale. Hanno una sensibilità di regolazione di 1 micron sul raggio, facilmente leggibile sul nonio ed eseguibile anche in macchina.

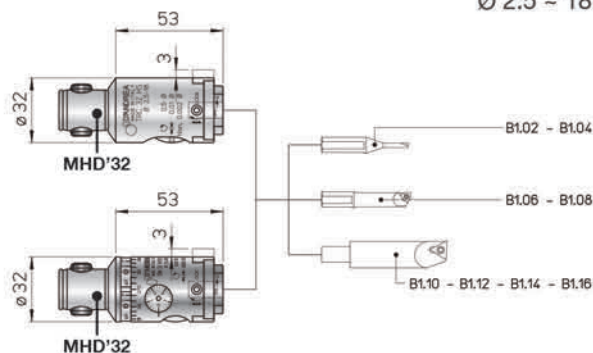




**TRC 32 HS**  
Ø 2.5 ~ 18  
RPM MAX 12.000

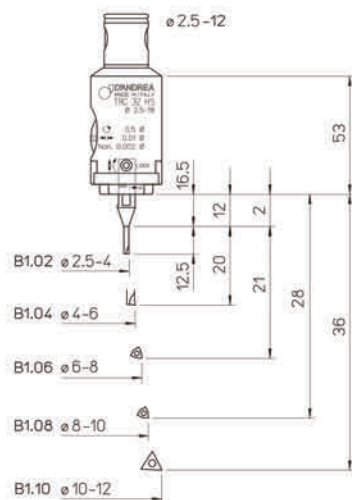


**TRM 32 HSB**  
Ø 2.5 ~ 18  
RPM MAX 20.000



**TRC 32 HS**  
**TRM 32 HSB**  
Ø 2.5 ~ 18

REF.	CODE	Kg.
TRC 32 HS	45 50 332 0053 1	0.35
TRM 32 HSB	45 51 032 0053 1	

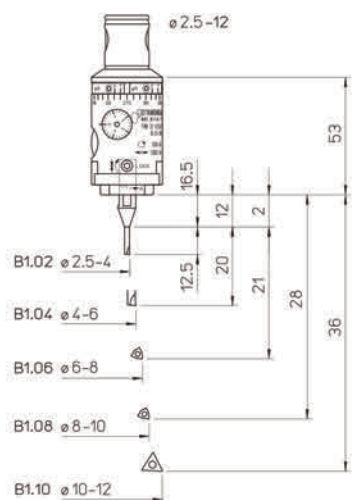


**KIT K01**  
**TRC 32 HS**  
Ø 2.5 ~ 12



K01 TRC 32 HS		
1 TRC32HS	1 B1.04	1 B1.08
1 B1.02	1 B1.06	1 B1.10
5 TPGX 090202L DC100		
2 WCGT 020102L DC100		

REF.	CODE	Ø
K01 TRC 32 HS	65 50 332 3032 2	2.5 ~ 12



**KIT K01**  
**TRM 32 HSB**  
Ø 2.5 ~ 12



K01 TRM 32 HSB		
1 TRM32HSB	1 B1.04	1 B1.08
1 B1.02	1 B1.06	1 B1.10
5 TPGX 090202L DC100		
2 WCGT 020102L DC100		

REF.	CODE	Ø
K01 TRM 32 HSB	65 50 032 3032 1	2.5 ~ 12

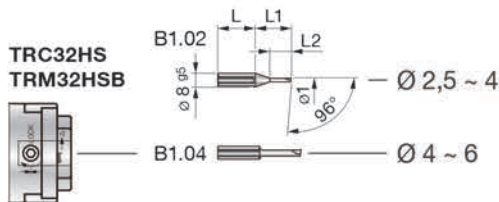


# TRC 32 HS TRM 32 HSB Ø 2.5 ~ 18

*testarossad'andrea*

B1

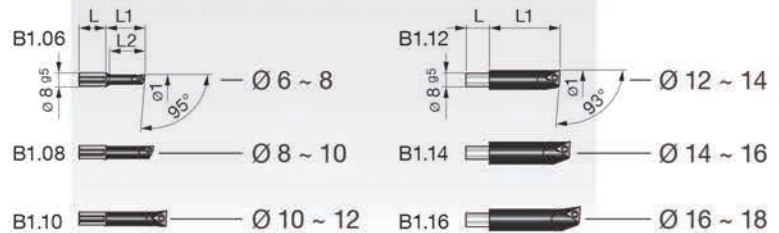
- Carbide tools
- Bohrstange aus hartmetall
- Herramientas de metal duro
- Outils carbure
- Utensili in metallo duro



B1

- Tools
- Bohrstange
- Herramientas
- Outils
- Utensili

Ø 2.5 ~ 22



REF.	CODE	Ø1	L	L1	L2	Kg.
B1.02	57 201 05 02 001	2.5 ~ 4	22	21	12.5	0.02
B1.04	57 201 05 04 001	4 ~ 6	24	24	-	

REF.	CODE	Ø1	L	L1	L2	⚠	⚠	🔧	🔧	Kg.
B1.06	57 201 05 06 000	6 ~ 8	16	23	21	WCGT 0201..	-	TS 21	TORX T06	0.01
B1.08	57 201 05 08 000	8 ~ 10		28	-					0.015
B1.10	57 201 05 10 000	10 ~ 12		36						0.02
B1.12	57 201 05 12 000	12 ~ 14	14	42	-	-	TPGX 0902..	CS 250 T	TORX T08	0.03
B1.14	57 201 05 14 000	14 ~ 16		48						0.04
B1.16	57 201 05 16 000	16 ~ 18		54						0.05

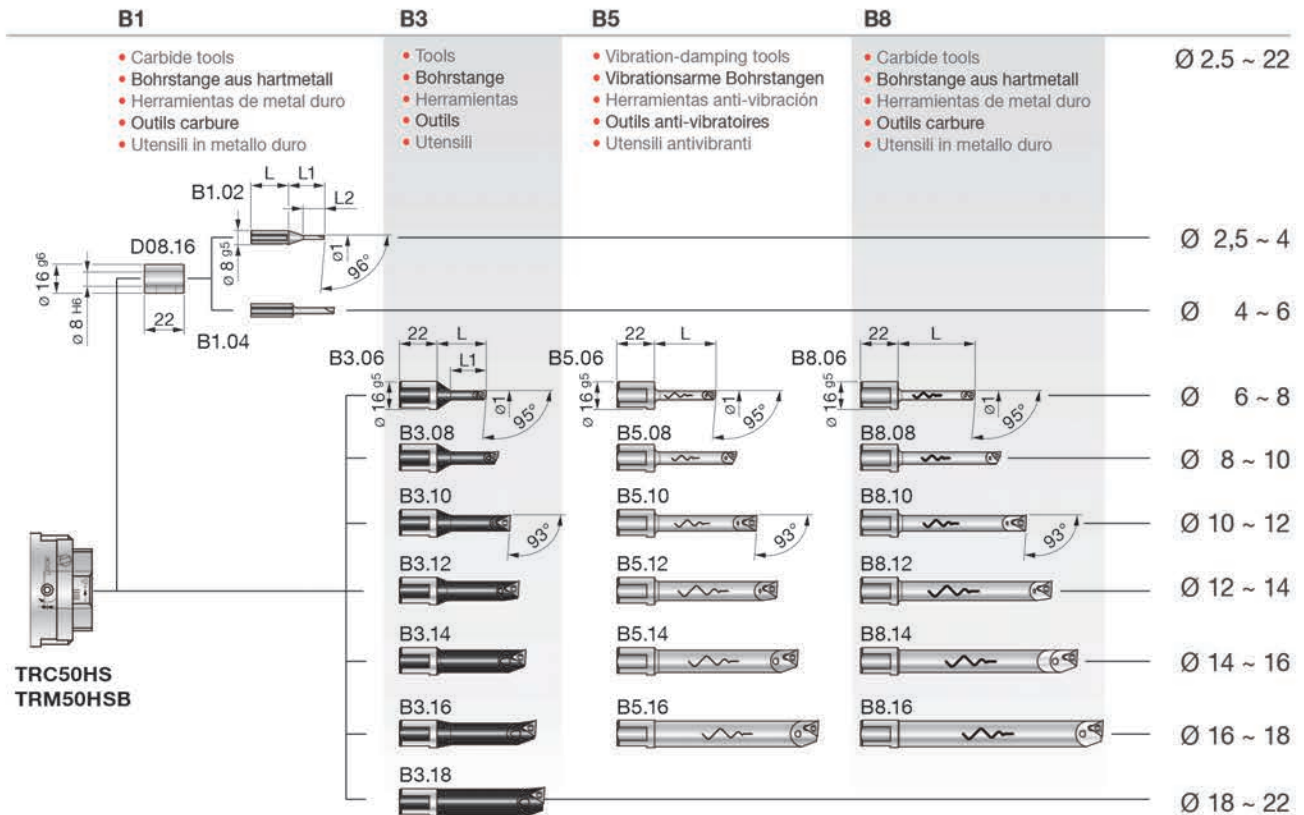
**D'ANDREA**





# TRC 32 HS TRM 32 HSB Ø 2.5 ~ 22

*testarossad'andrea*



REF.	CODE	Kg.
D08.16	20 056 01 16 08 2	0.02

REF.	CODE	Ø1	L	L1	L2	Kg.
B1.02	57 201 05 02 001	2.5 - 4	22	21	12.5	0.02
B1.04	57 201 05 04 001	4 - 6	24	24	-	

REF.	CODE	Ø1	L	L1	△	△	⌘	⌘	Kg.
B3.06	57 201 05 06 001	6 - 8	29	21	WCGT 0201..	-	TS 21	TORX T06	0.035
B3.08	57 201 05 08 001	8 - 10	36	28					TS 211
B3.10	57 201 05 10 001	10 - 12	43	35	-	TPGX 0902..	CS 250 T	TORX T08	0.05
B3.11	57 201 05 11 001	11 - 13	48	40					0.055
B3.12	57 201 05 12 001	12 - 14	48	42					0.06
B3.14	57 201 05 14 001	14 - 16	52	50					0.07
B3.16	57 201 05 16 001	16 - 18	58	-					0.1
B3.18	57 201 05 18 001	18 - 22	63	-					0.1

B5.06	57 201 05 06 105	6 - 8	36	-	WCGT 0201..	-	TS 21	TORX T06	0.075
B5.08	57 201 05 08 105	8 - 10	48						TS 211
B5.10	57 201 05 10 105	10 - 12	60	-	TPGX 0902..	CS 250 T	TORX T08	0.1	
B5.12	57 201 05 12 105	12 - 14	72					0.2	
B5.14	57 201 05 14 105	14 - 16	84					0.3	
B5.16	57 201 05 16 105	16 - 18	96						

B8.06	57 201 05 06 108	6 - 8	45	-	WCGT 0201..	-	TS 21	TORX T06	0.065
B8.08	57 201 05 08 108	8 - 10	60						TS 211
B8.10	57 201 05 10 108	10 - 12	75	-	TPGX 0902..	CS 250 T	TORX T08	0.1	
B8.12	57 201 05 12 108	12 - 14	90					0.2	
B8.14	57 201 05 14 108	14 - 16	105					0.3	
B8.16	57 201 05 16 108	16 - 18	120						

**D'ANDREA**





**MR** TRM HEAD 는 녹방지를 위해 특수 코팅으로 제작되었습니다. IT6 공차의 매우 정교한 작업 또는 우수한 표면 조도가 요한 작업은 TRM HEAD 사용으로 해결할 수 있습니다. TRM HEAD 는 매우 정교하며 1 마이크로미터의 Radial 조정은 눈금으로 쉽게 읽을 수 있고 장비에서 즉시 효과를 확인 할 수 있습니다.

**BB FEATURES.** The TRM heads in the D'Andrea Testarossa line have protective rustproof coating. High precision work to IT6 tolerance, with excellent surface finish, is achieved using TRM boring heads. These are very sensitive and radial correction of 1 micron can be effected directly on the machine and easily read on the vernier scale.

**D MERKMALE.** Die TRM Köpfe der Testarossa-Serie besitzen eine rostbeständige Oberfläche. Die TRM-Köpfe ermöglichen ermöglichen Bearbeitungen mit hoher Präzision und Toleranzen mit Grad IT6 bei hochwertiger Oberflächengüte. Sie besitzen eine Feinverstellung mit einer Genauigkeit von radial 1 µm, wobei das Maß auf der Skala abgelesen und auch direkt an der Maschine eingestellt werden kann.

**E CARACTERÍSTICAS.** Los cabezales TRM de la línea Testarossa D'Andrea cuentan con una protección superficial anticorrosión. Los cabezales TRM permiten realizar operaciones de alta precisión con tolerancias de grado IT6 con un extraordinario acabado de la superficie. Tienen una sensibilidad de ajuste de 1 micra en radio, de fácil lectura en el nonio y corregibles directamente sobre la máquina.

**I CARATTERISTICHE.** Le testine TRM della linea Testarossa D'Andrea hanno una protezione superficiale anticorrosiva. Le testine TRM consentono lavorazioni di alta precisione con tolleranze di grado IT6 con ottima finitura superficiale. Hanno una sensibilità di regolazione di 1 micron sul raggio, facilmente leggibile sul nonio ed eseguibile anche in macchina.



**TRM 16**

Ø 18 ~ 23



**TRM 20**

Ø 22 ~ 29



**TRM 25**

Ø 28 ~ 38



**TRM 32**

Ø 35.5 ~ 50



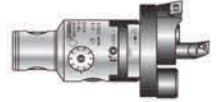
**TRM 40**

Ø 48 ~ 63



**TRM 50**

Ø 2.5 ~ 108



**TRM 50/63**

Ø 6 ~ 125



**TRM 63/63**

Ø 6 ~ 125



**TRM 50/80**

Ø 6 ~ 160



**TRM 80/80**

Ø 6 ~ 160

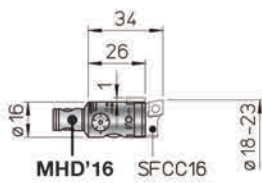
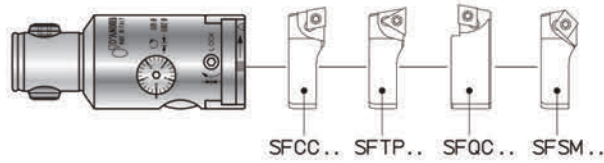


**TRM 80/125**

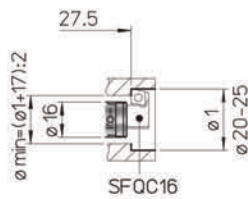
Ø 36 ~ 500





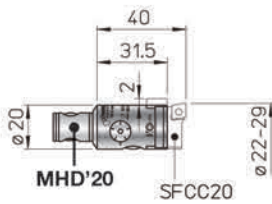


MHD'16 SFCC16

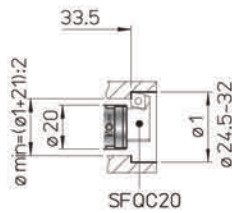


SFQC16

**TRM 16**  
Ø 18 ~ 23

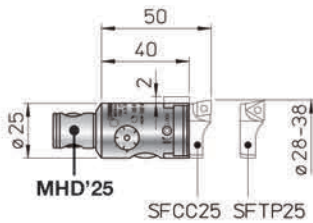


MHD'20 SFCC20

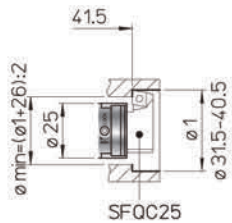


SFQC20

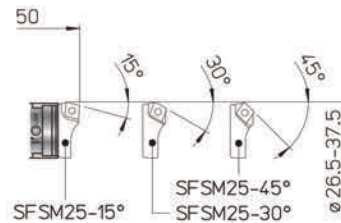
**TRM 20**  
Ø 22 ~ 29



MHD'25 SFCC25 SFTP25



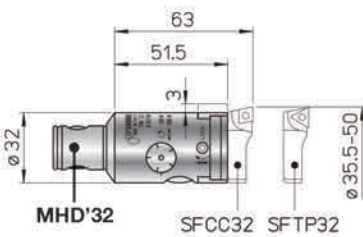
SFQC25



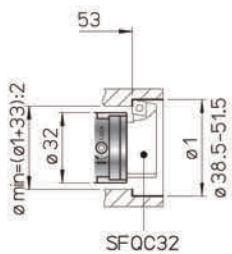
SFSM25-15°

SFSM25-45°  
SFSM25-30°

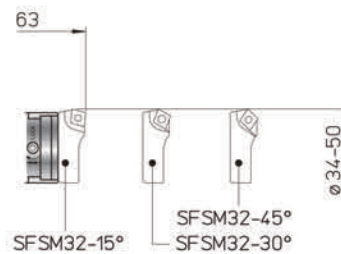
**TRM 25**  
Ø 28 ~ 38



MHD'32 SFCC32 SFTP32



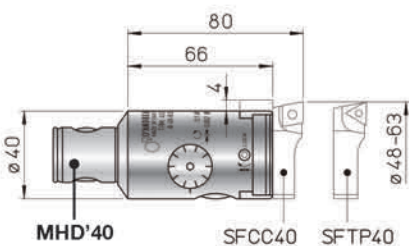
SFQC32



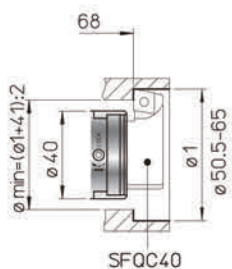
SFSM32-15°

SFSM32-45°  
SFSM32-30°

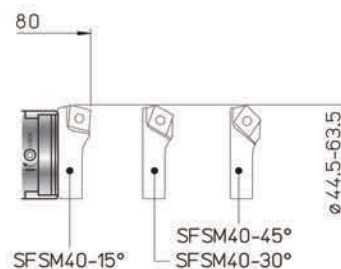
**TRM 32**  
Ø 35.5 ~ 50



MHD'40 SFCC40 SFTP40



SFQC40



SFSM40-15°

SFSM40-45°  
SFSM40-30°

**TRM 40**  
Ø 48 ~ 63



TRM



2 µm

REF.	CODE	Kg.
TRM 16	45 50 016 0034 1	0.05
TRM 20	45 50 020 0040 1	0.1
TRM 25	45 50 025 0050 0	0.2
TRM 32	45 50 032 0063 0	0.35
TRM 40	45 50 040 0080 0	0.7

- BIT-HOLDERS FOR TESTAROSSA
- PLATTENHALTER FÜR TESTAROSSA
- PORTA-PLAQUITAS PARA TESTAROSSA
- PORTE-PLAQUETTES POUR TESTAROSSA
- SEGGI PER TESTAROSSA

SF



REF.	CODE	A	B	C	L					Kg.
SFCC 16	47 050 05 16 002	8	17							0.003
SFCC 20	47 050 05 20 002	8.5	21			CCGT 0602..	-	TS 25	TORX T08	0.005
SFCC 25	47 050 05 25 002	10	26.5	-	-					0.01
SFCC 32	47 050 05 32 002	11.5	34.5							0.02
SFCC 40	47 050 05 40 002	14	44	-	-	CCGT 09T3..	-	TS 4	TORX T15	0.04
SFTP 25	47 050 05 25 001	10	26.5	-	-		TPGX 0902..	CS 250T	TORX T08	0.01
SFTP 32	47 050 05 32 001	11.5	34.5							0.02
SFTP 40	47 050 05 40 001	14	44	-	-		TPGX 1103..	CS 300890T		0.04
SFQC 16	47 050 05 16 062	10	18	2						0.005
SFQC 20	47 050 05 20 062	10.5	22.5							0.008
SFQC 25	47 050 05 25 062	12	28.5	2.5			CCMT 0602..	TS 25	TORX T08	0.01
SFQC 32	47 050 05 32 062	13.5	35.5							0.03
SFQC 40	47 050 05 40 062	16.5	46	3	-		CCMT 09T3..	TS 4	TORXT15	0.06
SFSM 25-15°	47 050 05 25 011	10	25.5	-	1.6	-	CCMT 0602..	TS 25	TORX T08	0.01
SFSM 25-30°	47 050 05 25 013				3					
SFSM 25-45°	47 050 05 25 015				4.3					
SFSM 32-15°	47 050 05 32 011	11.5	33.5	-	1.6	-	CCMT 0602..	TS 25	TORX T08	0.02
SFSM 32-30°	47 050 05 32 013				3					
SFSM 32-45°	47 050 05 32 015				4.3					
SFSM 40-15°	47 050 05 40 011	14	42.5	-	2.4	-	CCMT 09T3..	TS 4	TORXT15	0.03
SFSM 40-30°	47 050 05 40 013				4.6					
SFSM 40-45°	47 050 05 40 015				6.6					

D'ANDREA



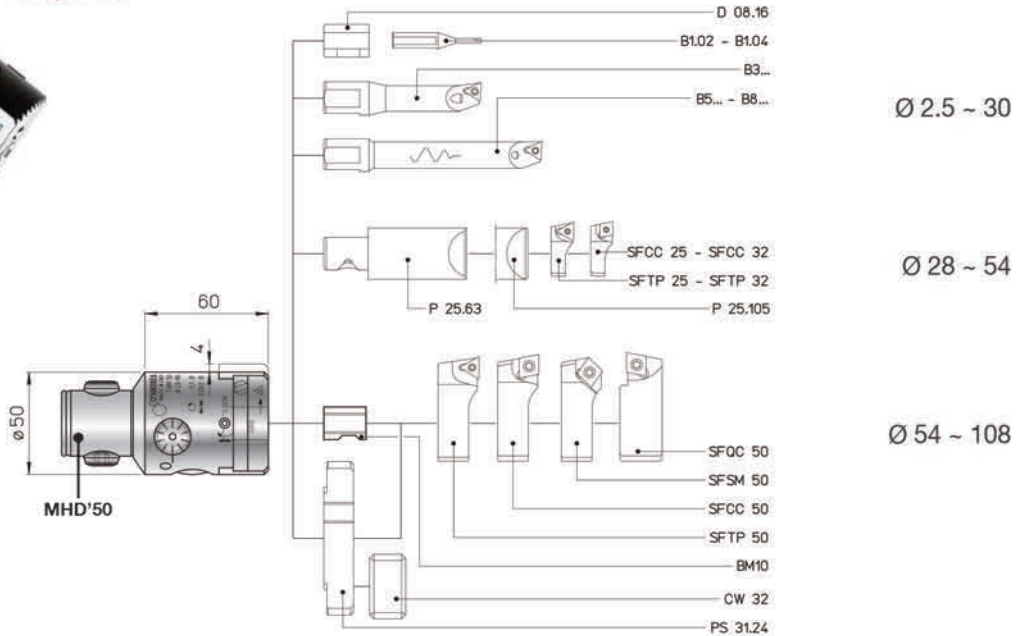
# D'ANDREA MODULHARD'ANDREA

**TRM 50** Ø 2.5 ~ 108

• TESTAROSSA

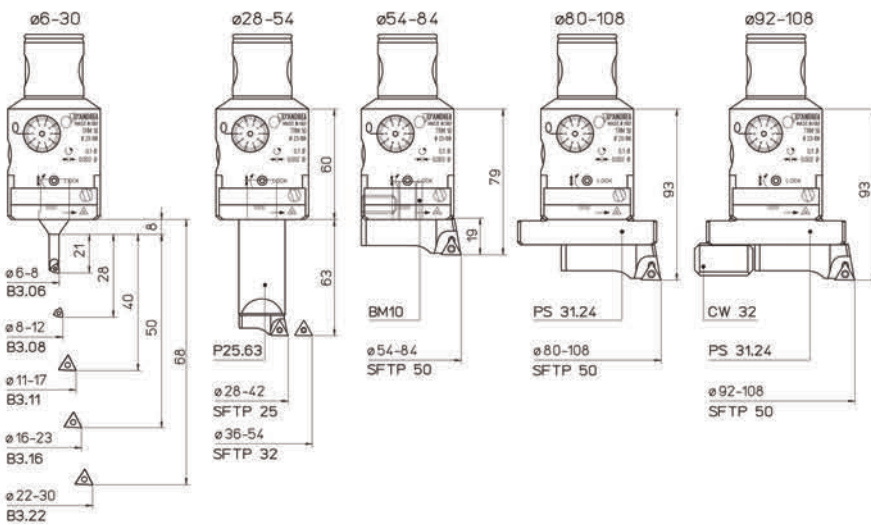


**2 μm**



REF.	CODE	Kg.
TRM 50	45 50 050 0050 0	1

**KIT K01**  
Ø 6 ~ 108

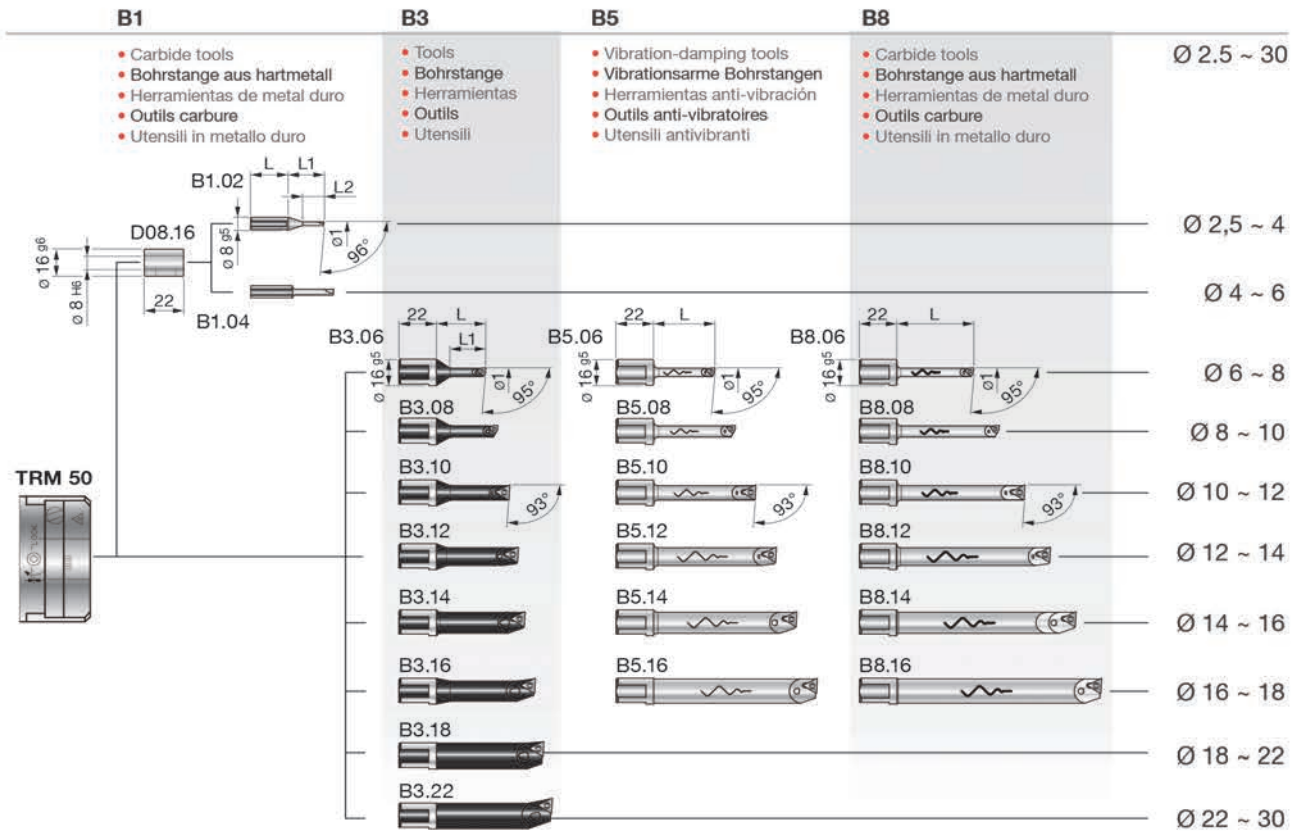


K01 TRM 50		
1 TRM 50	1 B3.06	1 SFTP25
1 P25.63	1 B3.08	1 SFTP32
1 BM10	1 B3.11	1 SFTP50
1 PS 31.24	1 B3.16	
1 CW 32	1 B3.22	
1 TPGX 110302L DC100		
5 TPGX 090202L DC100		
2 WCGT 020102L DC100		

REF.	CODE	Ø
K01 TRM 50	65 50 050 1050 1	6 ~ 108

**D'ANDREA**





REF.	CODE	Kg.
D08.16	20 056 01 16 08 2	0.02

REF.	CODE	Ø1	L	L1	L2	Kg.
B1.02	57 201 05 02 001	2.5 ~ 4	22	21	12.5	0.02
B1.04	57 201 05 04 001	4 ~ 6	24	24	-	

REF.	CODE	Ø1	L	L1	△	△	⌋	⌋	Kg.
B3.06	57 201 05 06 001	6 ~ 8	29	21	WCGT 0201..	-	TS 21	TORX T06	0.035
B3.08	57 201 05 08 001	8 ~ 10	36	28			TS 211		0.04
B3.10	57 201 05 10 001	10 ~ 12	43	35					0.05
B3.11	57 201 05 11 001	11 ~ 13	48	40					0.055
B3.12	57 201 05 12 001	12 ~ 14	48	42					0.06
B3.14	57 201 05 14 001	14 ~ 16	52	50	-	TPGX 0902..	CS 250 T	TORX T08	0.07
B3.16	57 201 05 16 001	16 ~ 18	58						
B3.18	57 201 05 18 001	18 ~ 22	63						0.1
B3.22	57 201 05 22 001	22 ~ 30	68						

B5.06	57 201 05 06 105	6 ~ 8	36		WCGT 0201..	-	TS 21	TORX T06	0.075
B5.08	57 201 05 08 105	8 ~ 10	48				TS 211		0.09
B5.10	57 201 05 10 105	10 ~ 12	60						0.1
B5.12	57 201 05 12 105	12 ~ 14	72		-	TPGX 0902..	CS 250 T	TORX T08	0.2
B5.14	57 201 05 14 105	14 ~ 16	84						0.3
B5.16	57 201 05 16 105	16 ~ 18	96						

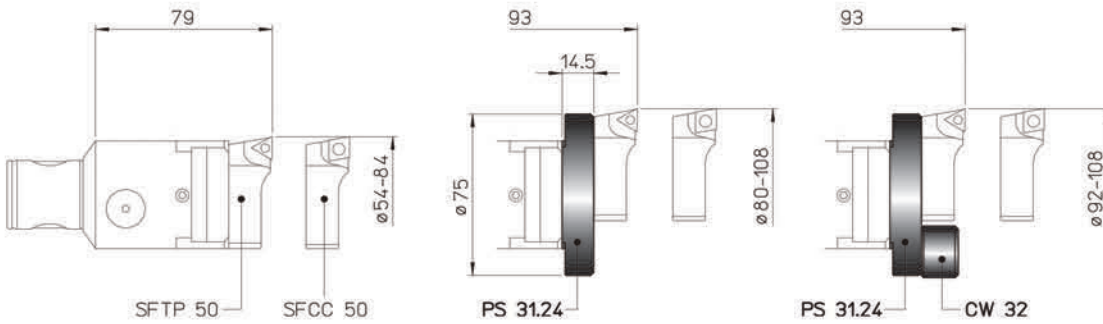
B8.06	57 201 05 06 108	6 ~ 8	45		WCGT 0201..	-	TS 21	TORX T06	0.065
B8.08	57 201 05 08 108	8 ~ 10	60				TS 211		0.08
B8.10	57 201 05 10 108	10 ~ 12	75						0.1
B8.12	57 201 05 12 108	12 ~ 14	90		-	TPGX 0902..	CS 250 T	TORX T08	0.2
B8.14	57 201 05 14 108	14 ~ 16	105						0.3
B8.16	57 201 05 16 108	16 ~ 18	120						

D'ANDREA

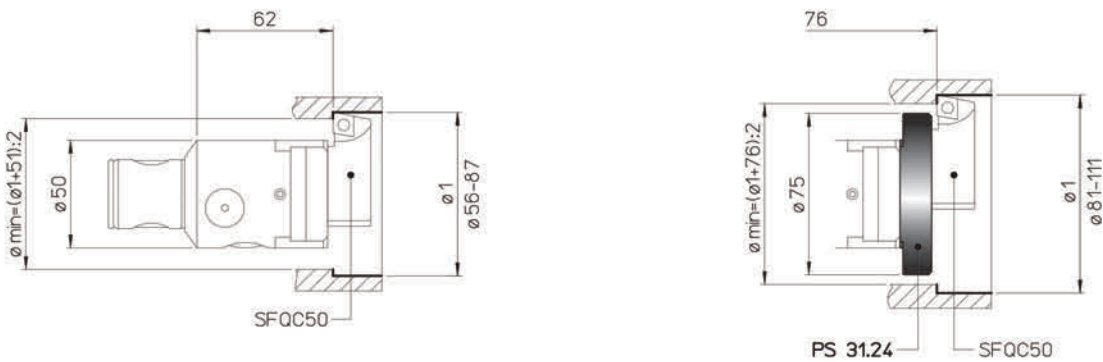
## TRM 50 Ø 52 ~ 108

- TOOLHOLDER FOR TESTAROSSA
- GRUNDHALTER FÜR TESTAROSSA
- PORTAHERRAMIENTAS PARA TESTAROSSA
- PORTE-OUTILS POUR TESTAROSSA
- PORTAUTENSILI PER TESTAROSSA

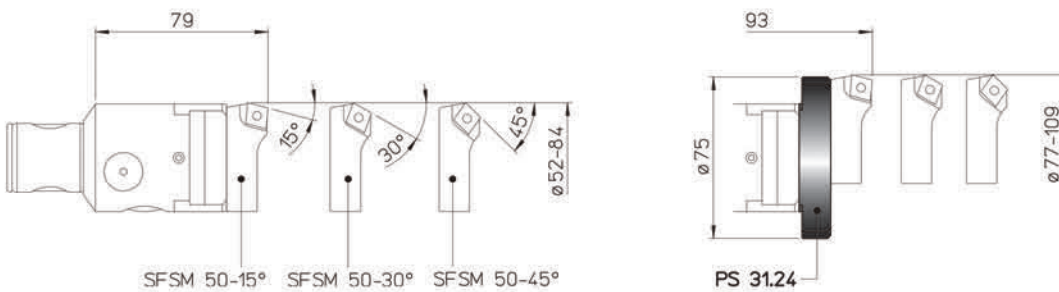
**PS 31**  
**CW 32**  
Ø 54 ~ 108



**PS 31**  
Ø 56 ~ 111



**PS 31**  
Ø 52 ~ 109



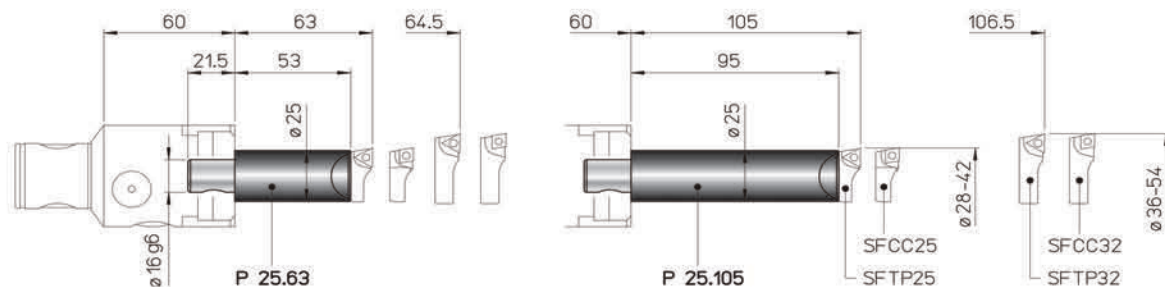
REF.	CODE	Kg.
PS 31.24	43 30 24 14 075 1	0.2
CW 32	39 20 110 032 01	0.5





- TOOLHOLDERS FOR TESTAROSSA
- GRUNDHALTER FÜR TESTAROSSA
- PORTAHERRAMIENTAS PARA TESTAROSSA
- PORTE-OUTILS POUR TESTAROSSA
- PORTAUTENSILI PER TESTAROSSA

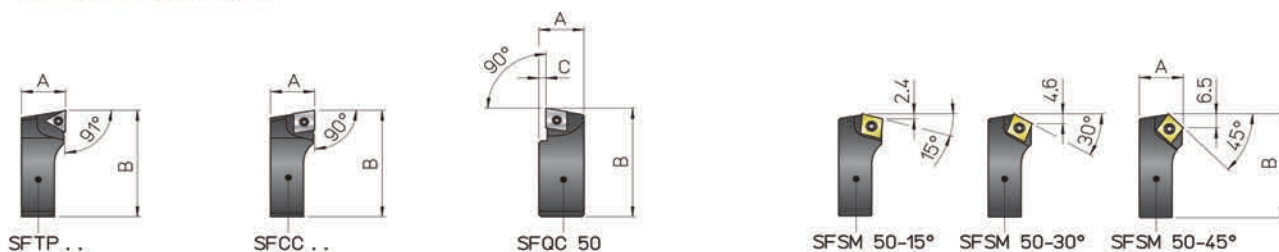
**PS 25**  
Ø 28 ~ 54



REF.	CODE	Kg.
P25.63	43 51 16 25 063 0	0.5
P25.105	43 51 16 25 105 0	0.8

- BIT-HOLDERS FOR TESTAROSSA
- PLATTENHALTER FÜR TESTAROSSA
- PORTA-PLAQUITAS PARA TESTAROSSA
- PORTE-PLAQUETTES POUR TESTAROSSA
- SEGGI PER TESTAROSSA

**SF**



REF.	CODE	A	B	C					Kg.
SFTP 25	47 050 05 25 001	10	26.5	-	TPGX 0902..	-	CS 250T	TORX T08	0.01
SFTP 32	47 050 05 32 001	11.5	34.5	-	-	-	0.02		
SFTP 50	47 050 05 50 001	19	52	-	TPGX 1103..	-	CS 300890T		0.08
SFCC 25	47 050 05 25 002	10	26.5	-	-	CCGT 0602..	TS 25	TORX T08	0.01
SFCC 32	47 050 05 32 002	11.5	34.5	-	-	CCGT 09T3..	TS 4	TORX T15	0.02
SFCC 50	47 050 05 50 002	19	52	-	-	CCGT 09T3..	TS 4	TORX T15	0.08
SFQC 50	47 050 05 50 062	20.5	53	3	-	CCMT 09T3..	TS 4	TORXT15	0.1
SFSM 50-15°	47 050 05 50 011	19	50.5	-	-	CCMT 09T3..	TS 4	TORXT15	0.07
SFSM 50-30°	47 050 05 50 013								
SFSM 50-45°	47 050 05 50 015								



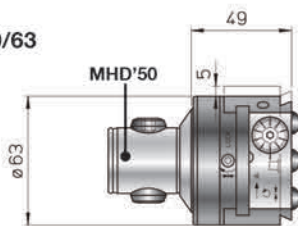
# D'ANDREA MODULHARD'ANDREA

**TRM 50/63**  
**TRM 63/63** Ø 2.5 ~ 125

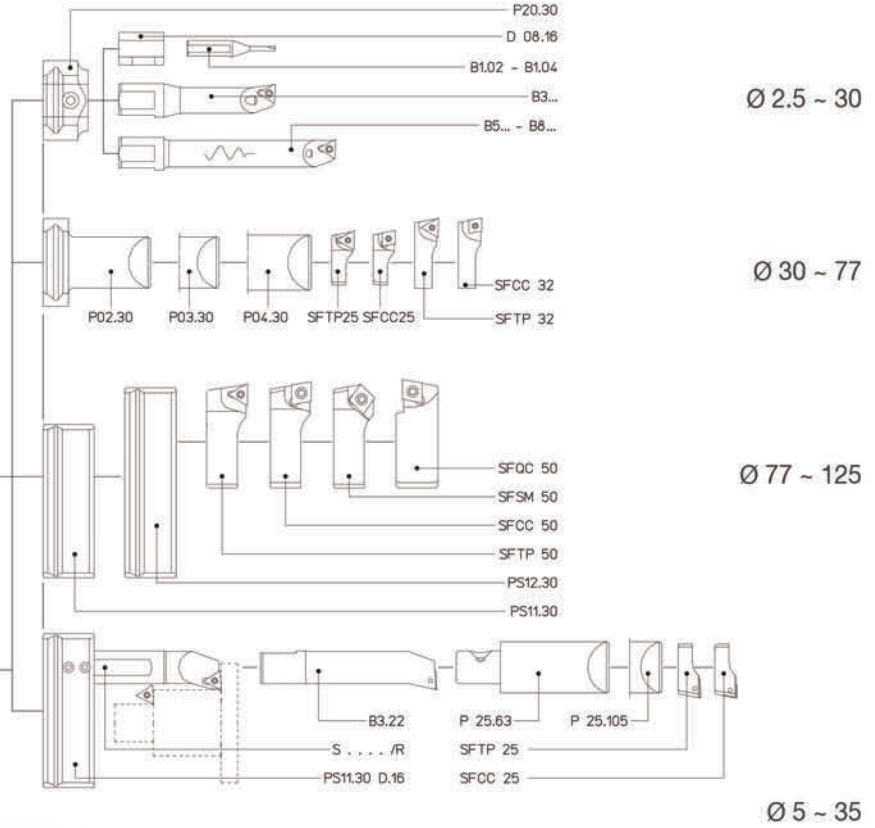
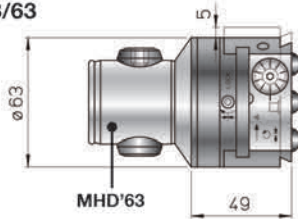
• TESTAROSSA



TRM 50/63

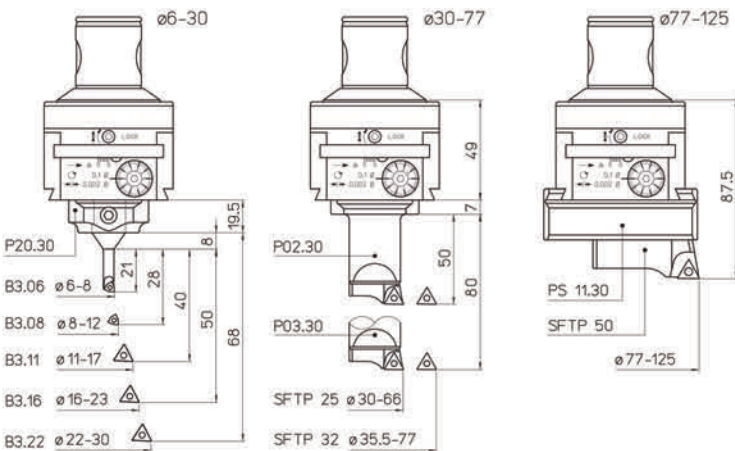


TRM 63/63



REF.	CODE	Kg.
TRM 50/63	45 50 050 0063 0	1.1
TRM 63/63	45 50 063 0063 0	1.5

**KIT K01**  
Ø 6 ~ 125



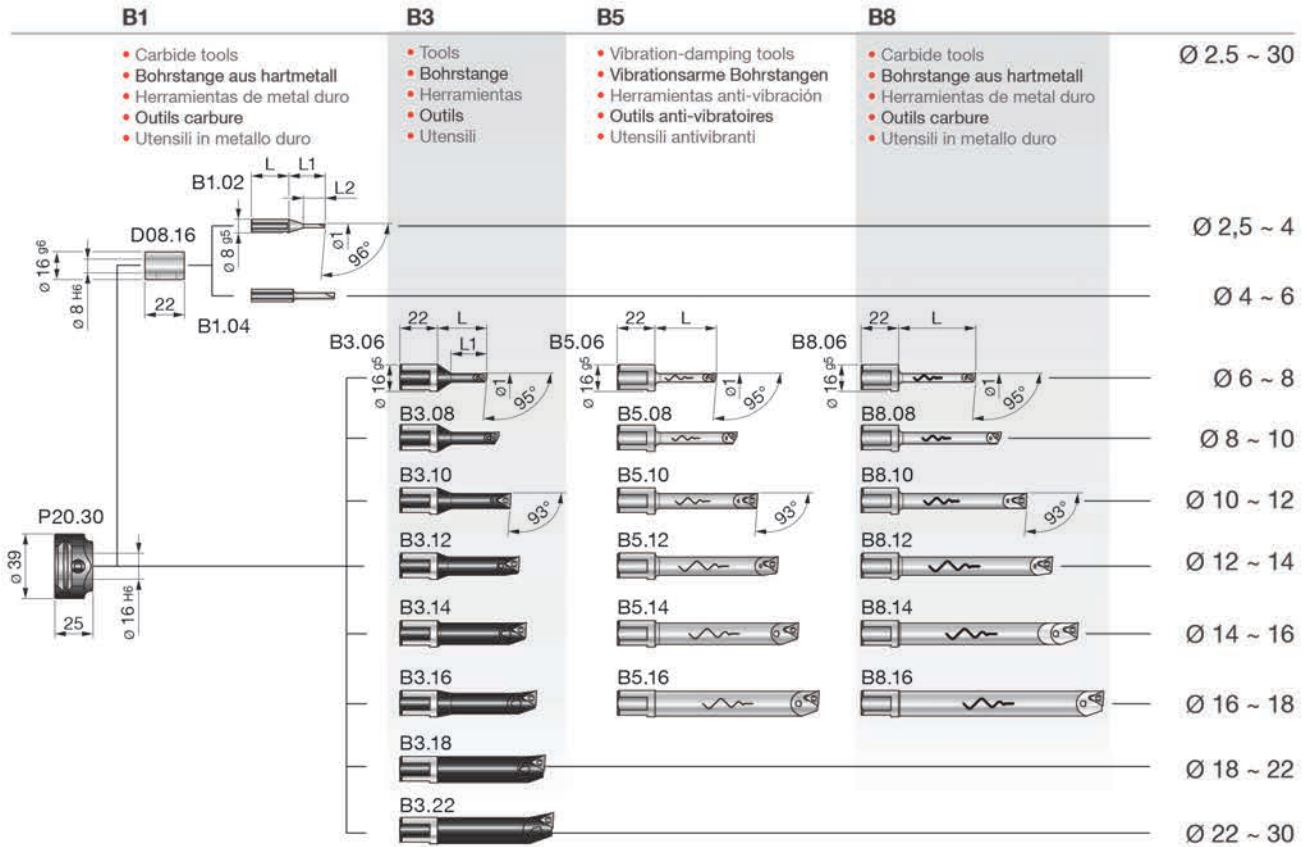
K01 TRM 50/63 - 63/63			
1 TRM../ 63			
1 P20.30	1 P02.30	1 SFTP25	1 B3.06
1 PS11.30	1 P03.30	1 SFTP32	1 B3.08
5 TPGX 090202L DC100		1 SFTP50	1 B3.11
1 TPGX 110302L DC100			1 B3.16
2 WCGT 020102L DC100			1 B3.22
REF.	CODE	Ø	
K01 TRM 50/63	65 50 050 1063 1	6 ~ 125	
K01 TRM 63/63	65 50 063 1063 1	6 ~ 125	

D'ANDREA



**TRM 50/63**  
**TRM 63/63** Ø 2.5 ~ 30

*testarossadandrea*



- B1**
- Carbide tools
  - Bohrstange aus hartmetall
  - Herramientas de metal duro
  - Outils carbure
  - Utensili in metallo duro

- B3**
- Tools
  - Bohrstange
  - Herramientas
  - Outils
  - Utensili

- B5**
- Vibration-damping tools
  - Vibrationsarme Bohrstangen
  - Herramientas anti-vibración
  - Outils anti-vibratoires
  - Utensili antivibranti

- B8**
- Carbide tools
  - Bohrstange aus hartmetall
  - Herramientas de metal duro
  - Outils carbure
  - Utensili in metallo duro

Ø 2.5 ~ 30

Ø 2,5 ~ 4

Ø 4 ~ 6

Ø 6 ~ 8

Ø 8 ~ 10

Ø 10 ~ 12

Ø 12 ~ 14

Ø 14 ~ 16

Ø 16 ~ 18

Ø 18 ~ 22

Ø 22 ~ 30

REF.	CODE	Kg.
D08.16	20 056 01 16 08 2	0.02

REF.	CODE	Kg.
P20.30	43 10 30 16 030 0	0.2

REF.	CODE	Ø1	L	L1	L2	Kg.
B1.02	57 201 05 02 001	2.5 ~ 4	22	21	12.5	0.02
B1.04	57 201 05 04 001	4 ~ 6	24	24	-	

REF.	CODE	Ø1	L	L1	△	△	⌋	⌋	Kg.
B3.06	57 201 05 06 001	6 ~ 8	29	21	WCGT 0201..	-	TS 21	TORX T06	0.035
B3.08	57 201 05 08 001	8 ~ 10	36	28					TS 211
B3.10	57 201 05 10 001	10 ~ 12	43	35	-	TPGX 0902..	CS 250 T	TORX T08	0.05
B3.11	57 201 05 11 001	11 ~ 13	48	40					0.055
B3.12	57 201 05 12 001	12 ~ 14	48	42					0.06
B3.14	57 201 05 14 001	14 ~ 16	52	50					0.07
B3.16	57 201 05 16 001	16 ~ 18	58	-					0.1
B3.18	57 201 05 18 001	18 ~ 22	63	-					0.1
B3.22	57 201 05 22 001	22 ~ 30	68	-	-	-	-	0.1	

B5.06	57 201 05 06 105	6 ~ 8	36	-	WCGT 0201..	-	TS 21	TORX T06	0.075
B5.08	57 201 05 08 105	8 ~ 10	48						TS 211
B5.10	57 201 05 10 105	10 ~ 12	60	-	TPGX 0902..	CS 250 T	TORX T08	0.1	
B5.12	57 201 05 12 105	12 ~ 14	72					0.2	
B5.14	57 201 05 14 105	14 ~ 16	84					0.3	
B5.16	57 201 05 16 105	16 ~ 18	96					0.3	

B8.06	57 201 05 06 108	6 ~ 8	45	-	WCGT 0201..	-	TS 21	TORX T06	0.065
B8.08	57 201 05 08 108	8 ~ 10	60						TS 211
B8.10	57 201 05 10 108	10 ~ 12	75	-	TPGX 0902..	CS 250 T	TORX T08	0.1	
B8.12	57 201 05 12 108	12 ~ 14	90					0.2	
B8.14	57 201 05 14 108	14 ~ 16	105					0.2	
B8.16	57 201 05 16 108	16 ~ 18	120					0.3	

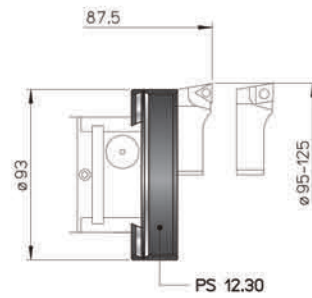
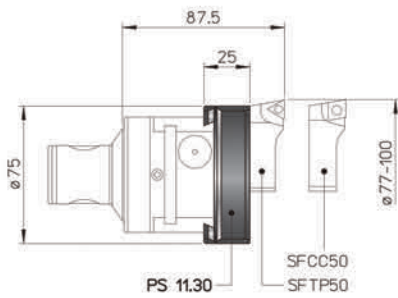
**D'ANDREA**

### TRM 50/63 TRM 63/63 Ø 77 ~ 127

- TOOLHOLDERS FOR TESTAROSSA
- GRUNDHALTER FÜR TESTAROSSA
- PORTAHERRAMIENTAS PARA TESTAROSSA
- PORTE-OUTILS POUR TESTAROSSA
- PORTAUTENSILI PER TESTAROSSA

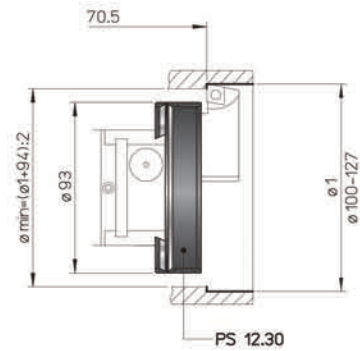
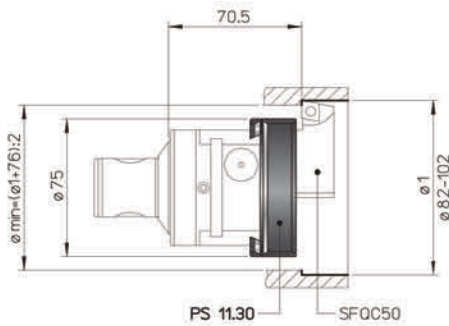
**PS**

Ø 77 ~ 125



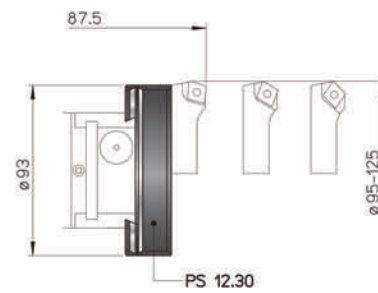
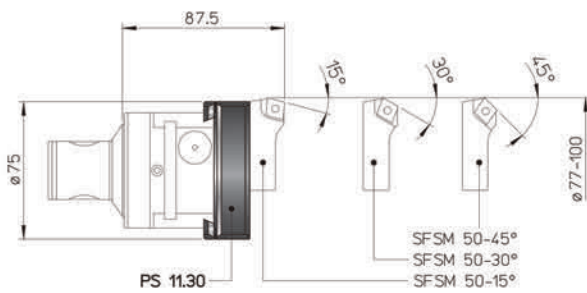
**PS**

Ø 82 ~ 127



**PS**

Ø 77 ~ 125



REF.	CODE	Kg.
PS 11.30	43 30 30 26 075 0	0.4
PS 12.30	43 30 30 26 095 0	0.5



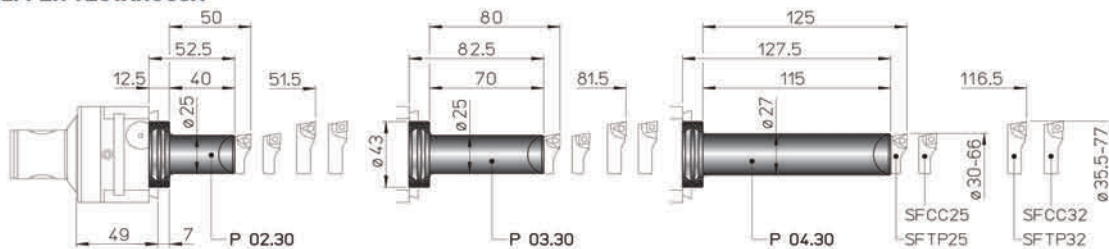


**TRM 50/63**  
**TRM 63/63** Ø 5 ~ 77

*testarossa d'andrea*

- TOOLHOLDERS FOR TESTAROSSA
- GRUNDHALTER FÜR TESTAROSSA
- PORTAHERRAMIENTAS PARA TESTAROSSA
- PORTE-OUTILS POUR TESTAROSSA
- PORTAUTENSILI PER TESTAROSSA

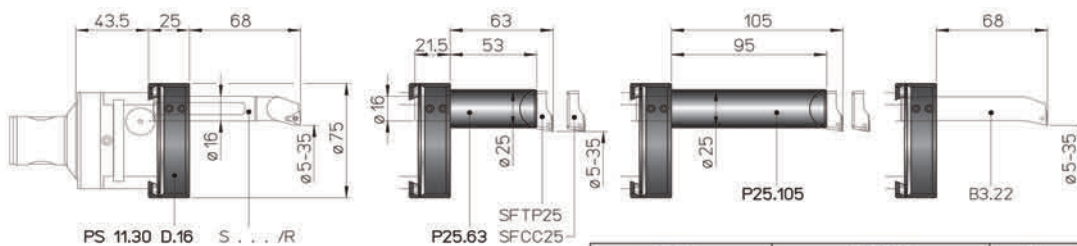
**P**  
Ø 30 ~ 77



REF.	CODE	Kg.
P02.30	43 10 30 25 040 0	0.3
P03.30	43 10 30 25 070 0	0.4
P04.30	43 10 30 25 115 0	0.7

- TESTAROSSA EXTERNAL TURNING
- TESTAROSSA AUSSENDREHEN
- TESTAROSSA TORNEADO EXTERIOR
- TESTAROSSA TOURNAGE EXTÉRIEUR
- TESTAROSSA TORNITURA ESTERNA

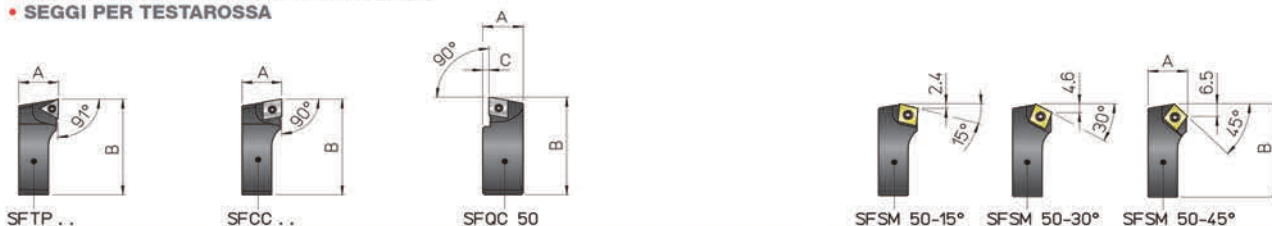
**PS + P25**  
Ø 5 ~ 35



REF.	CODE	Kg.
PS 11.30 D.16	43 30 30 26 075 5	0.4
P25.63	43 51 16 25 063 0	0.5
P25.105	43 51 16 25 105 0	0.8

- BIT-HOLDERS FOR TESTAROSSA
- PLATTENHALTER FÜR TESTAROSSA
- PORTA-PLAQUITAS PARA TESTAROSSA
- PORTE-PLAQUETTES POUR TESTAROSSA
- SEGGI PER TESTAROSSA

**SF**



REF.	CODE	A	B	C	△	⊖	⊔	⌘	Kg.
SFTP 25	47 050 05 25 001	10	26.5	-	TPGX 0902..	-	CS 250T	TORX T08	0.01
SFTP 32	47 050 05 32 001	11.5	34.5	-	-	-	-		0.02
SFTP 50	47 050 05 50 001	19	52	-	TPGX 1103..	-	CS 300890T		0.08
SFCC 25	47 050 05 25 002	10	26.5	-	-	CCGT 0602..	TS 25	TORX T08	0.01
SFCC 32	47 050 05 32 002	11.5	34.5	-	-	-	-	TORX T08	0.02
SFCC 50	47 050 05 50 002	19	52	-	-	CCGT 09T3..	TS 4	TORX T15	0.08
SFQC 50	47 050 05 50 062	20.5	53	3	-	CCMT 09T3..	TS 4	TORXT15	0.1
SFSM 50-15°	47 050 05 50 011	19	50.5	-	-	CCMT 09T3..	TS 4	TORXT15	0.07
SFSM 50-30°	47 050 05 50 013								
SFSM 50-45°	47 050 05 50 015								



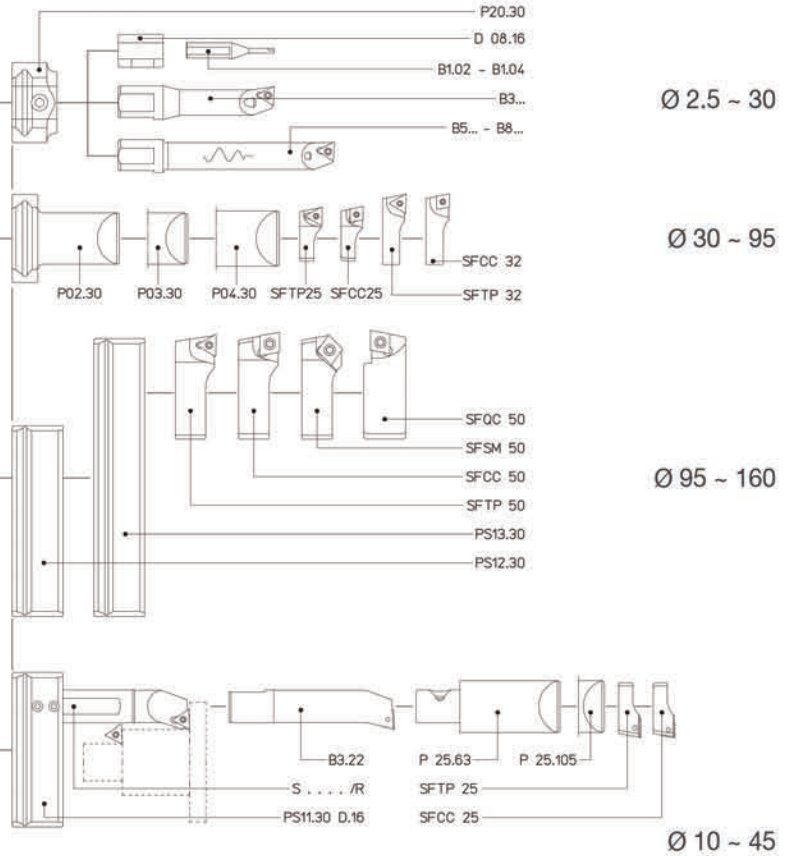
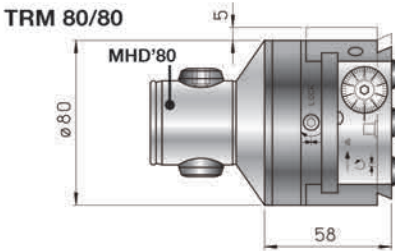
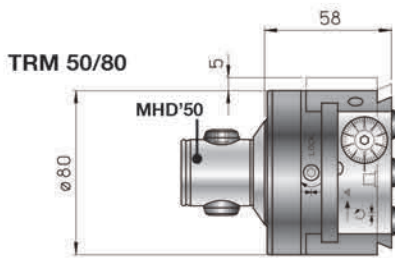
# D'ANDREA MODULHARD'ANDREA

**TRM 50/80**  
**TRM 80/80** Ø 2.5 ~ 160

• TESTAROSSA

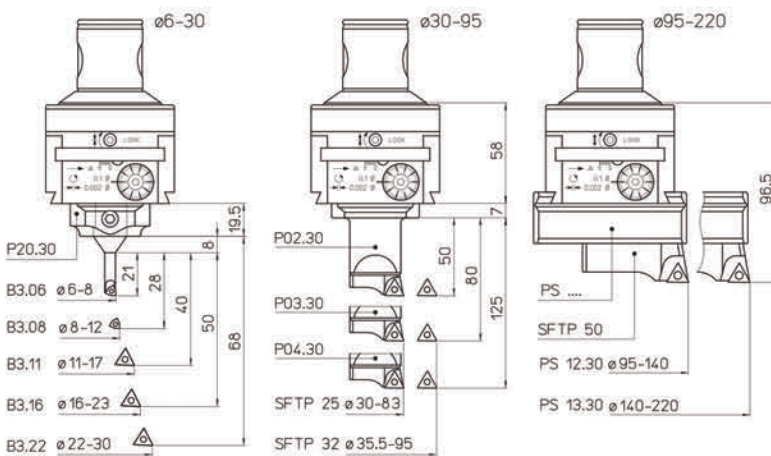


2 μm



REF.	CODE	Kg.
TRM 50/80	45 50 050 0080 0	2
TRM 80/80	45 50 080 0080 0	2.5

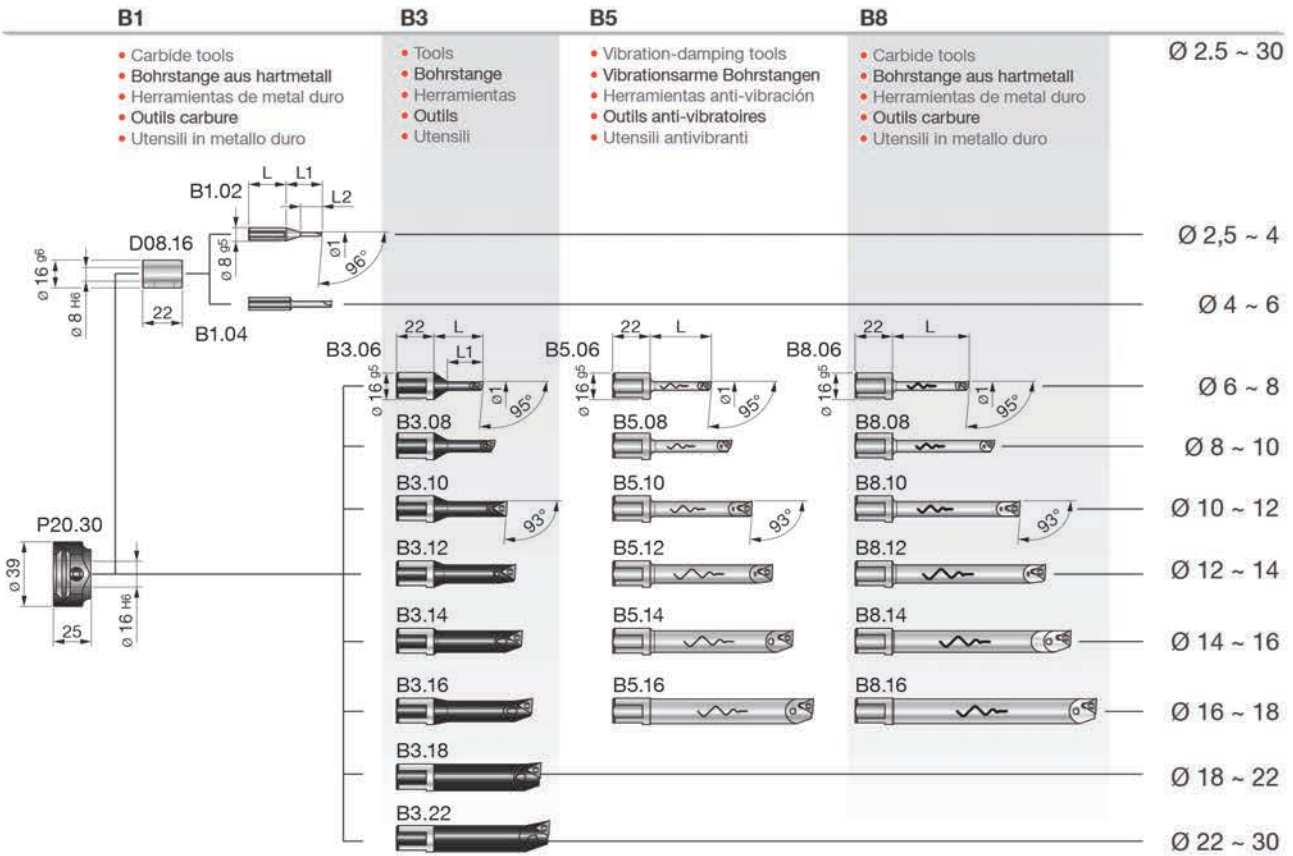
**KIT K01**  
Ø 6 ~ 220



K01 TRM 50/80 - 80/80			
1 TRM./ 80			
1 P20.30	1 P02.30	1 SFTP25	1 B3.06
1 PS12.30	1 P03.30	1 SFTP32	1 B3.08
1 PS13.30	1 P04.30	1 SFTP50	1 B3.12
5 TPGX 090202L DC100			1 B3.16
1 TPGX 110302L DC100			1 B3.22
2 WCGT 020102L DC100			

REF.	CODE	Ø
K01 TRM 50/80	65 50 050 1080 1	6 ~ 220
K01 TRM 80/80	65 50 080 1080 1	





REF.	CODE	Kg.
D08.16	20 056 01 16 08 2	0.02

REF.	CODE	Kg.
P20.30	43 10 30 16 030 0	0.2

REF.	CODE	Ø1	L	L1	L2	Kg.
B1.02	57 201 05 02 001	2.5 ~ 4	22	21	12.5	0.02
B1.04	57 201 05 04 001	4 ~ 6	24	24	-	

REF.	CODE	Ø1	L	L1	⊖	⚠	⌄	⌄	Kg.
B3.06	57 201 05 06 001	6 ~ 8	29	21	WCGT 0201..	-	TS 21	TORX T06	0.035
B3.08	57 201 05 08 001	8 ~ 10	36	28			TS 211		0.04
B3.10	57 201 05 10 001	10 ~ 12	43	35	-	TPGX 0902..	CS 250 T	TORX T08	0.05
B3.11	57 201 05 11 001	11 ~ 13	48	40					0.055
B3.12	57 201 05 12 001	12 ~ 14	48	42					0.06
B3.14	57 201 05 14 001	14 ~ 16	52	50					0.07
B3.16	57 201 05 16 001	16 ~ 18	58	-	-	-	-	-	0.1
B3.18	57 201 05 18 001	18 ~ 22	63	-					
B3.22	57 201 05 22 001	22 ~ 30	68	-					

B5.06	57 201 05 06 105	6 ~ 8	36	-	WCGT 0201..	-	TS 21	TORX T06	0.075
B5.08	57 201 05 08 105	8 ~ 10	48				TS 211		0.09
B5.10	57 201 05 10 105	10 ~ 12	60		-	TPGX 0902..	CS 250 T	TORX T08	0.1
B5.12	57 201 05 12 105	12 ~ 14	72						0.2
B5.14	57 201 05 14 105	14 ~ 16	84						0.3
B5.16	57 201 05 16 105	16 ~ 18	96						0.3

B8.06	57 201 05 06 108	6 ~ 8	45	-	WCGT 0201..	-	TS 21	TORX T06	0.065
B8.08	57 201 05 08 108	8 ~ 10	60				TS 211		0.08
B8.10	57 201 05 10 108	10 ~ 12	75		-	TPGX 0902..	CS 250 T	TORX T08	0.1
B8.12	57 201 05 12 108	12 ~ 14	90						0.2
B8.14	57 201 05 14 108	14 ~ 16	105						0.3
B8.16	57 201 05 16 108	16 ~ 18	120						0.3

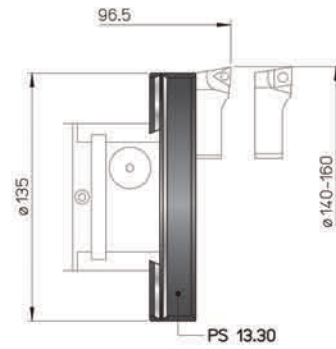
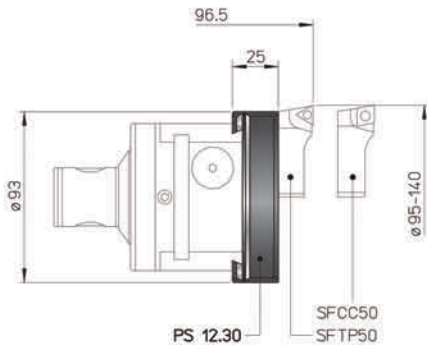
**D'ANDREA**

### TRM 50/80 TRM 80/80 Ø 95 ~ 162

- TOOLHOLDERS FOR TESTAROSSA
- GRUNDHALTER FÜR TESTAROSSA
- PORTAHERRAMIENTAS PARA TESTAROSSA
- PORTE-OUTILS POUR TESTAROSSA
- PORTAUTENSILI PER TESTAROSSA

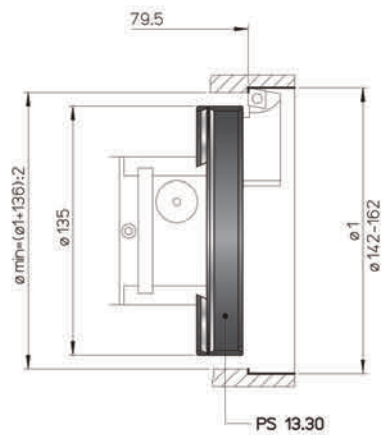
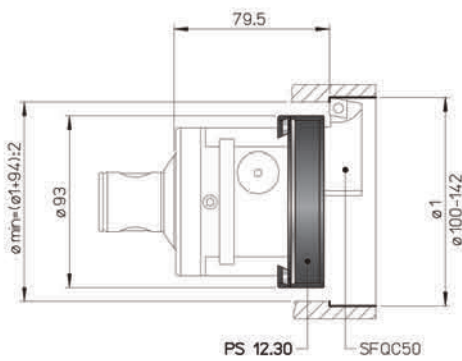
**PS**

Ø 95 ~ 160



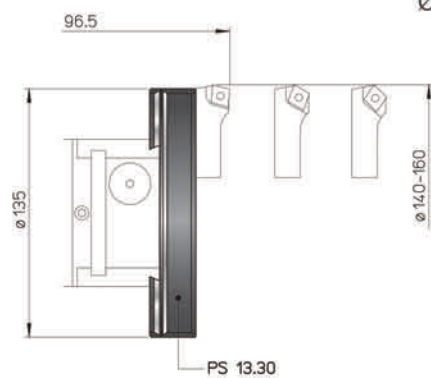
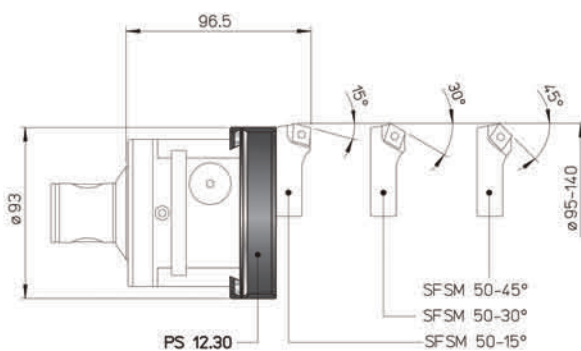
**PS**

Ø 100 ~ 162



**PS**

Ø 95 ~ 160



REF.	CODE	Kg.
PS 12.30	43 30 30 26 095 0	0.5
PS 13.30	43 30 30 26 140 0	0.7



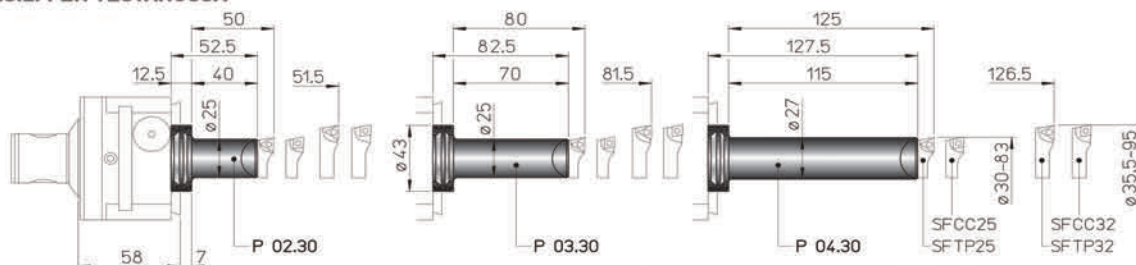


# TRM 50/80 TRM 80/80 Ø 10 ~ 95

*testarossa d'andrea*

- TOOLHOLDERS FOR TESTAROSSA
- WERKZEUGE FÜR TESTAROSSA
- PORTAHERRAMIENTAS PARA TESTAROSSA
- PORTE-OUTILS POUR TESTAROSSA
- PORTAUTENSILI PER TESTAROSSA

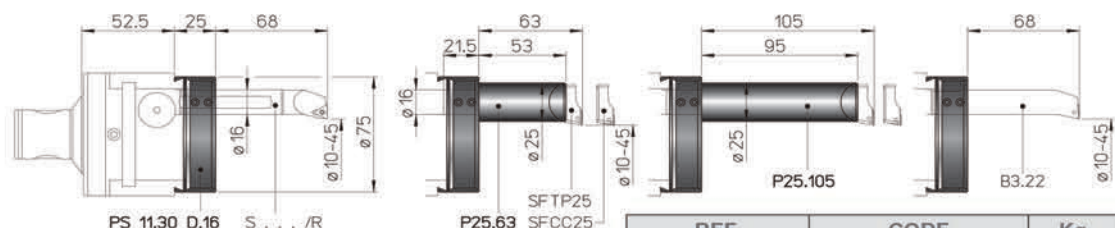
**P**  
Ø 30 ~ 95



REF.	CODE	Kg.
P02.30	43 10 30 25 040 0	0.3
P03.30	43 10 30 25 070 0	0.4
P04.30	43 10 30 25 115 0	0.7

- TESTAROSSA EXTERNAL TURNING
- TESTAROSSA AUSSENDREHEN
- TESTAROSSA TORNEADO EXTERIOR
- TESTAROSSA TOURNAGE EXTÉRIEUR
- TESTAROSSA TORNITURA ESTERNA

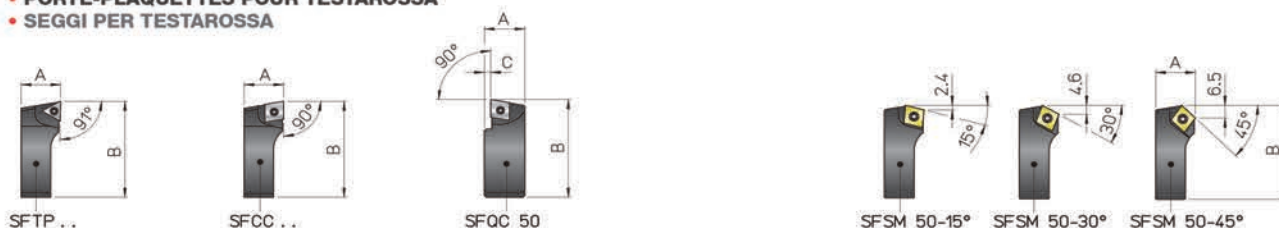
**PS + P25**  
Ø 10 ~ 45



REF.	CODE	Kg.
PS 11.30 D.16	43 30 30 26 075 5	0.4
P25.63	43 51 16 25 063 0	0.5
P25.105	43 51 16 25 105 0	0.8

- BIT-HOLDERS FOR TESTAROSSA
- PLATTENHALTER FÜR TESTAROSSA
- PORTA-PLAQUITAS PARA TESTAROSSA
- PORTE-PLAQUETTES POUR TESTAROSSA
- SEGGI PER TESTAROSSA

**SF**



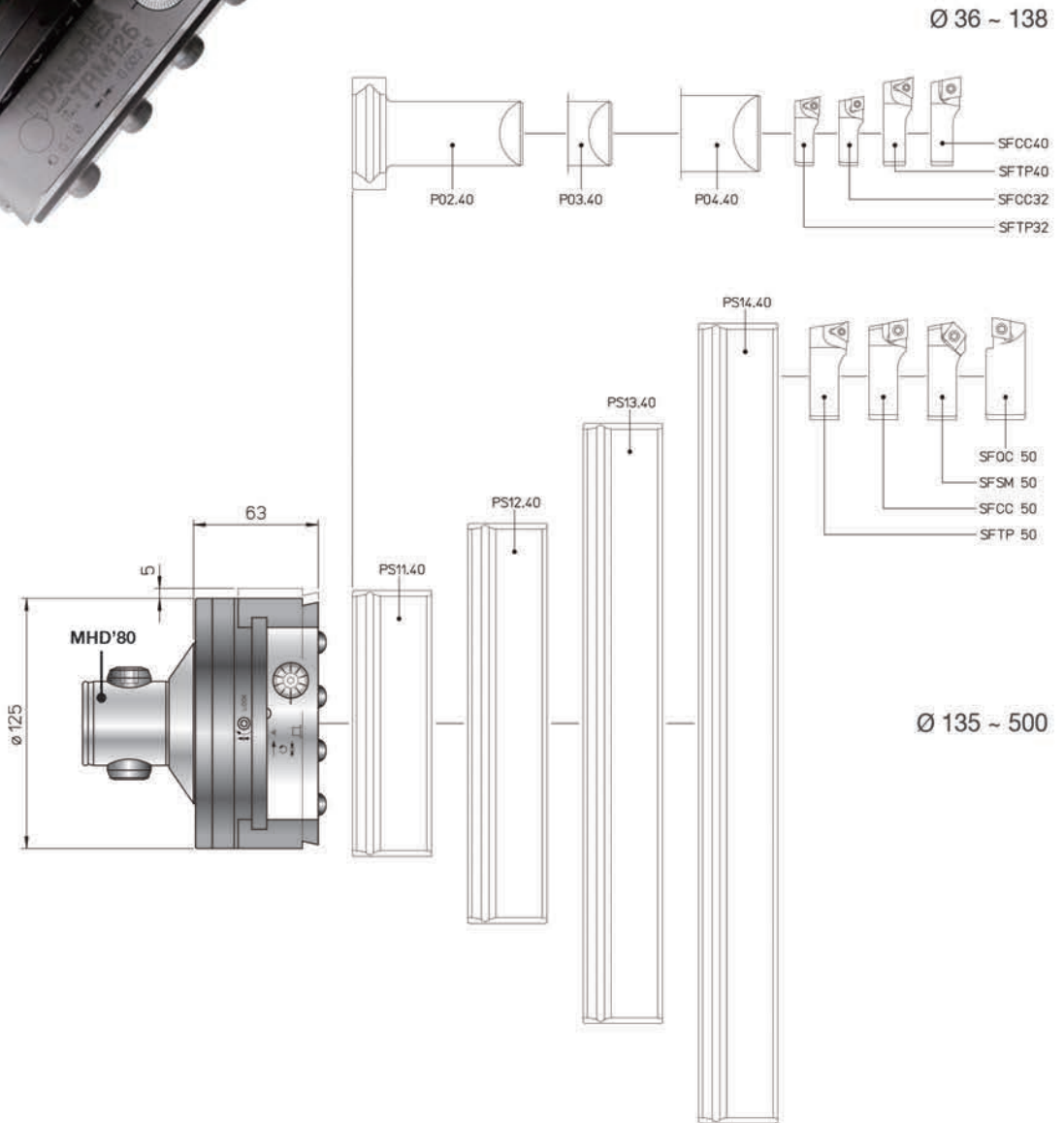
REF.	CODE	A	B	C	⚠	⊞	⊞	⊞	Kg.
SFTP 25	47 050 05 25 001	10	26.5	-	TPGX 0902..	-	CS 250T	TORX T08	0.01
SFTP 32	47 050 05 32 001	11.5	34.5	-	TPGX 1103..	-	CS 300890T	TORX T08	0.02
SFTP 50	47 050 05 50 001	19	52	-	TPGX 1103..	-	CS 300890T	TORX T15	0.08
SFCC 25	47 050 05 25 002	10	26.5	-	-	CCGT 0602..	TS 25	TORX T08	0.01
SFCC 32	47 050 05 32 002	11.5	34.5	-	-	CCGT 09T3..	TS 4	TORX T15	0.02
SFCC 50	47 050 05 50 002	19	52	-	-	CCGT 09T3..	TS 4	TORX T15	0.08
SFQC 50	47 050 05 50 062	20.5	53	3	-	CCMT 09T3..	TS 4	TORXT15	0.1
SF5M 50-15°	47 050 05 50 011	19	50.5	-	-	CCMT 09T3..	TS 4	TORXT15	0.07
SF5M 50-30°	47 050 05 50 013								
SF5M 50-45°	47 050 05 50 015								



# D'ANDREA MODULHARD'ANDREA

**TRM 80/125** Ø 36 ~ 500

• TESTAROSSA

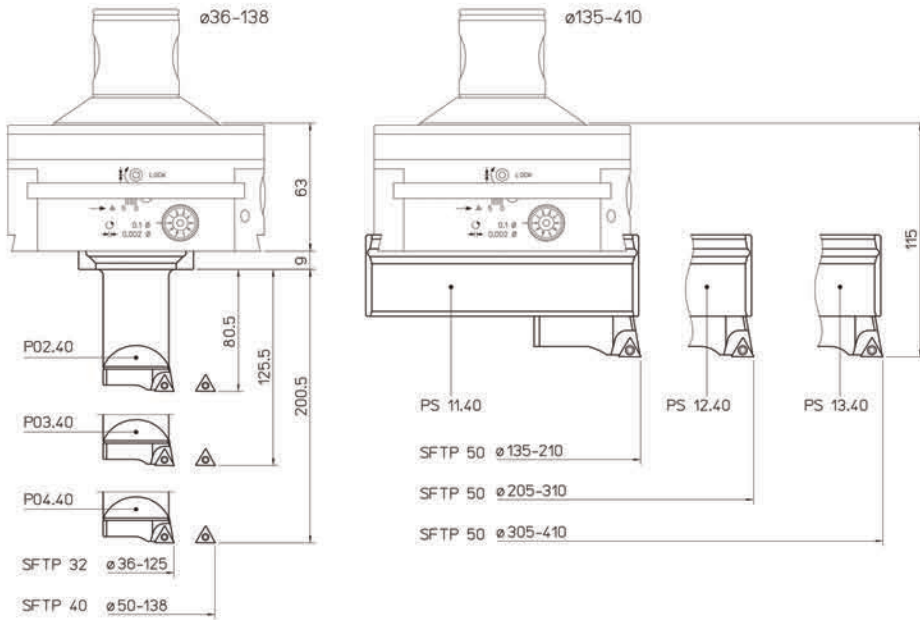


REF.	CODE	Kg.
TRM 80/125	45 50 080 0125 0	5.5

**D'ANDREA**



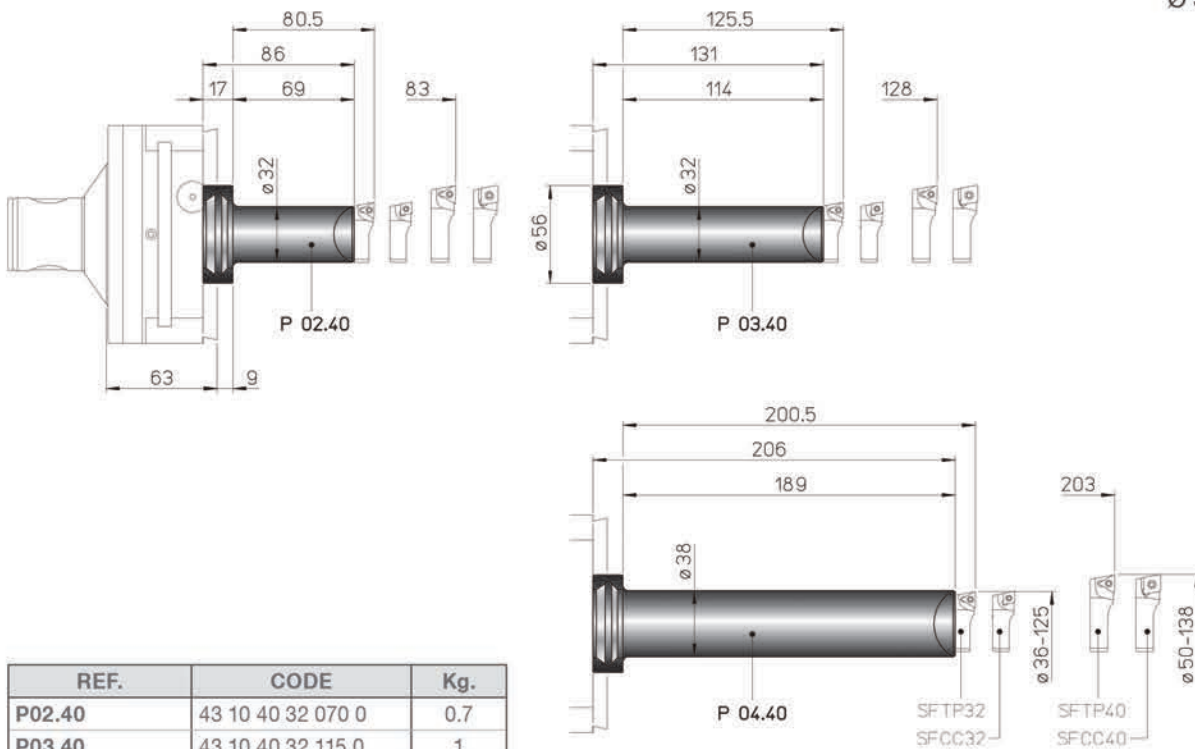
**KIT K03**  
Ø 36 ~ 410



K03 TRM 80/125		
1 P02.40	1 PS11.40	
1 P03.40	1 PS12.40	1 SFTP50
1 P04.40	1 PS13.40	

REF.	CODE	Ø
K03 TRM 80/125	65 50 125 0003 0	36 - 410

**P**  
Ø 36 ~ 138



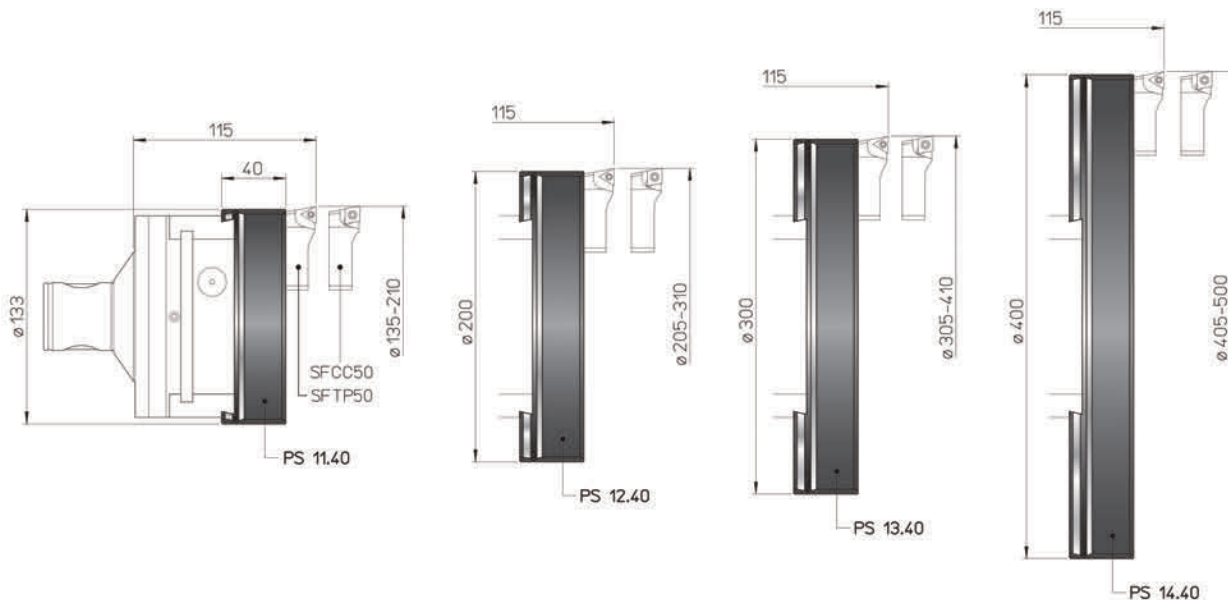
REF.	CODE	Kg.
P02.40	43 10 40 32 070 0	0.7
P03.40	43 10 40 32 115 0	1
P04.40	43 10 40 32 190 0	2

### TRM 80/125 Ø 135 ~ 502

- TOOLHOLDERS FOR TESTAROSSA
- GRUNDHALTER FÜR TESTAROSSA
- PORTAHERRAMIENTAS PARA TESTAROSSA
- PORTE-OUTILS POUR TESTAROSSA
- PORTAUTENSILI PER TESTAROSSA

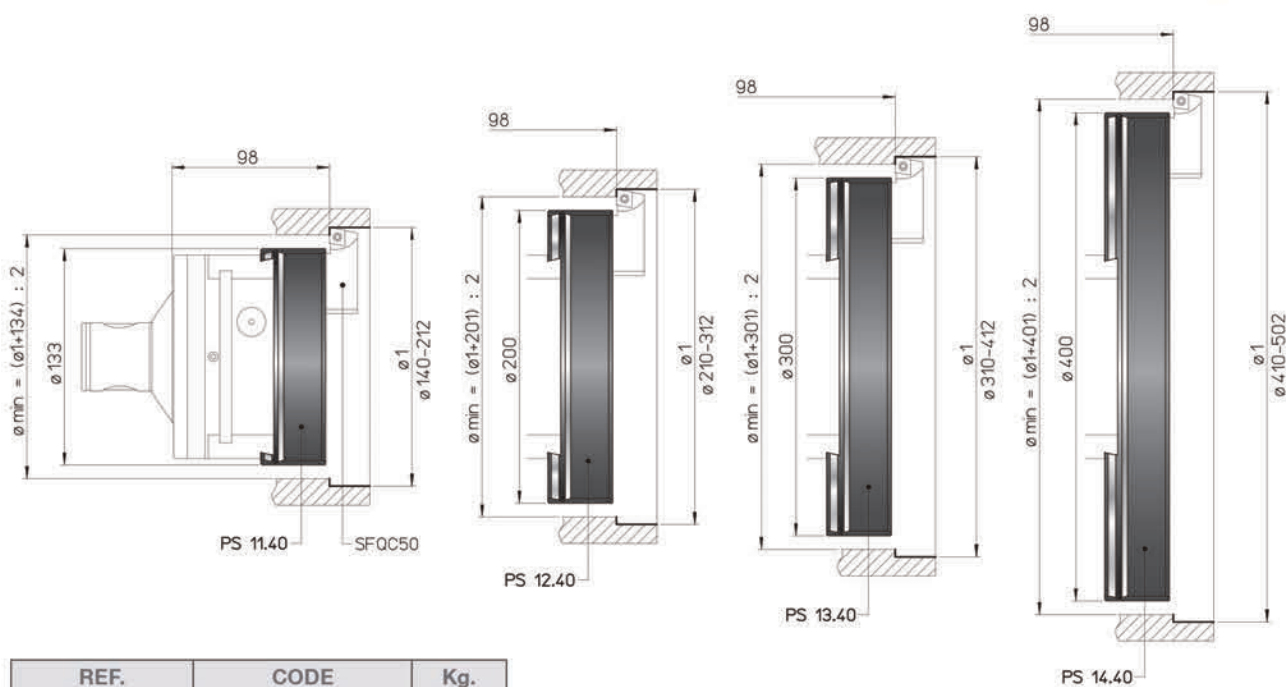
**PS**

Ø 135 ~ 502



**PS**

Ø 140 ~ 502

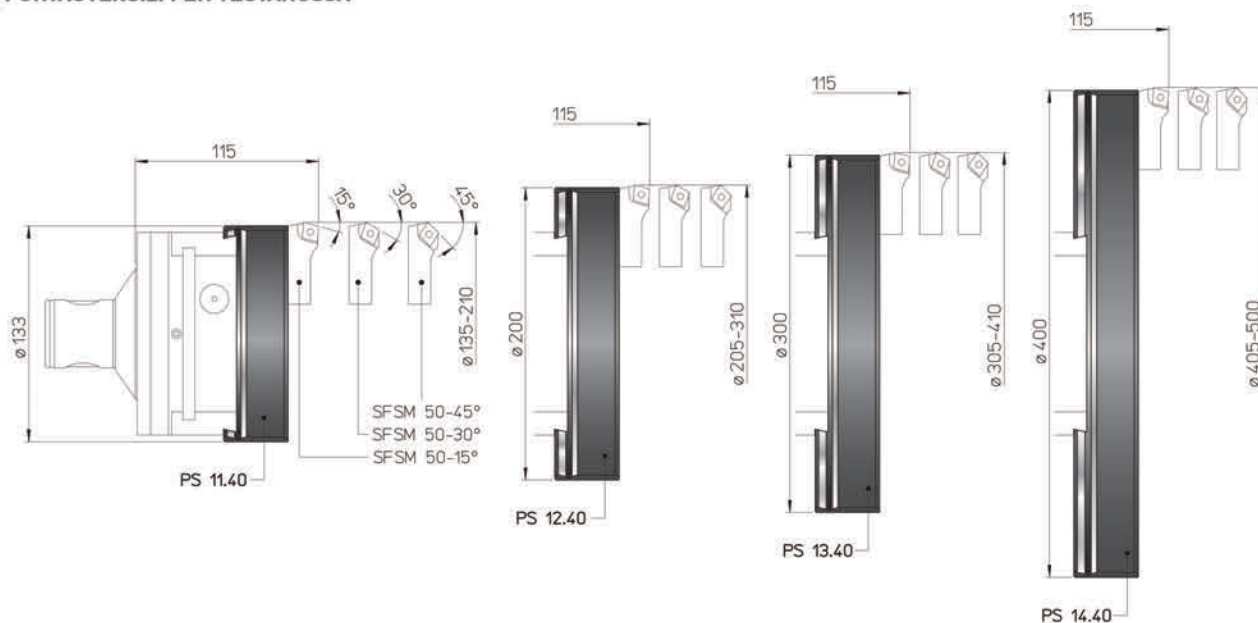


REF.	CODE	Kg.
PS 11.40	43 30 40 35 150 0	1.5
PS 12.40	43 30 40 35 230 0	2.4
PS 13.40	43 30 40 35 330 0	3.5
PS 14.40	43 30 40 35 400 0	4.6



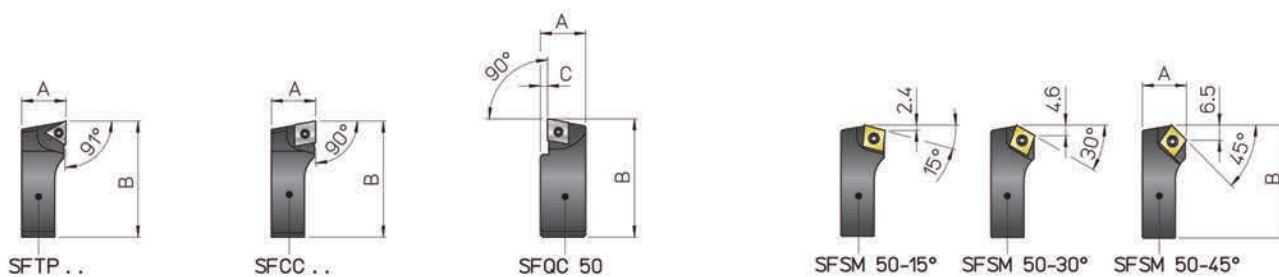
- TOOLHOLDERS FOR TESTAROSSA
- GRUNDHALTER FÜR TESTAROSSA
- PORTAHERRAMIENTAS PARA TESTAROSSA
- PORTE-OUTILS POUR TESTAROSSA
- PORTAUTENSILI PER TESTAROSSA

**PS**  
Ø 135 ~ 500



- BIT-HOLDERS FOR TESTAROSSA
- PLATTENHALTER FÜR TESTAROSSA
- PORTA-PLAQUITAS PARA TESTAROSSA
- PORTE-PLAQUETTES POUR TESTAROSSA
- SEGGI PER TESTAROSSA

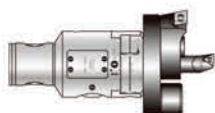
**SF**



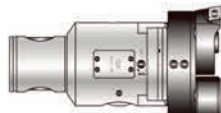
REF.	CODE	A	B	C	△	⊖	⊓	⌘	Kg.
SFTP 32	47 050 05 32 001	11.5	34.5	-	TPGX 0902..	-	CS 250T	TORX T08	0.02
SFTP 40	47 050 05 40 001	14	44	-	TPGX 1103..	-	CS 300890T		0.04
SFTP 50	47 050 05 50 001	19	52	-	-	-	-		0.08
SFCC 32	47 050 05 32 002	11.5	34.5	-	-	CCGT 0602..	TS 25	TORX T08	0.02
SFCC 40	47 050 05 40 002	14	44	-	-	CCGT 09T3..	TS 4	TORX T15	0.04
SFCC 50	47 050 05 50 002	19	52	-	-	-	-	-	0.08
SFQC 50	47 050 05 50 062	20.5	53	3	-	CCMT 09T3..	TS 4	TORXT15	0.1
SFSM 50-15°	47 050 05 50 011	19	50.5	-	-	CCMT 09T3..	TS 4	TORXT15	0.07
SFSM 50-30°	47 050 05 50 013								
SFSM 50-45°	47 050 05 50 015								



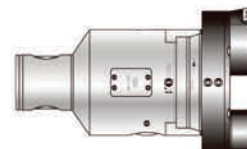
TR-ELETTRA 50 MHD'50  
Ø 2.5 ~ 110



TR-ELETTRA 63 MHD'63  
Ø 6 ~ 125



TR-ELETTRA 80 - MHD'80  
Ø 6 ~ 200

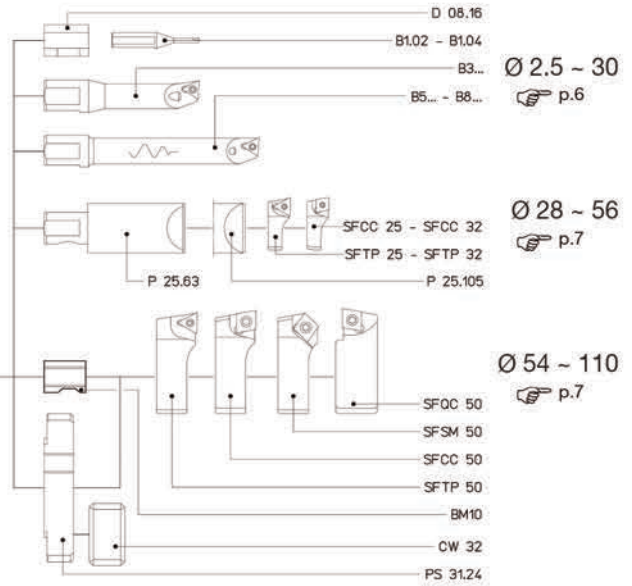
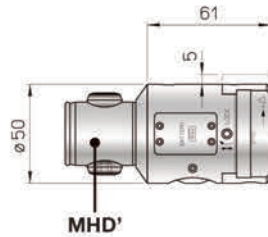


# TR-ELETTRA 50 Ø 2.5 ~ 110 MHD'50

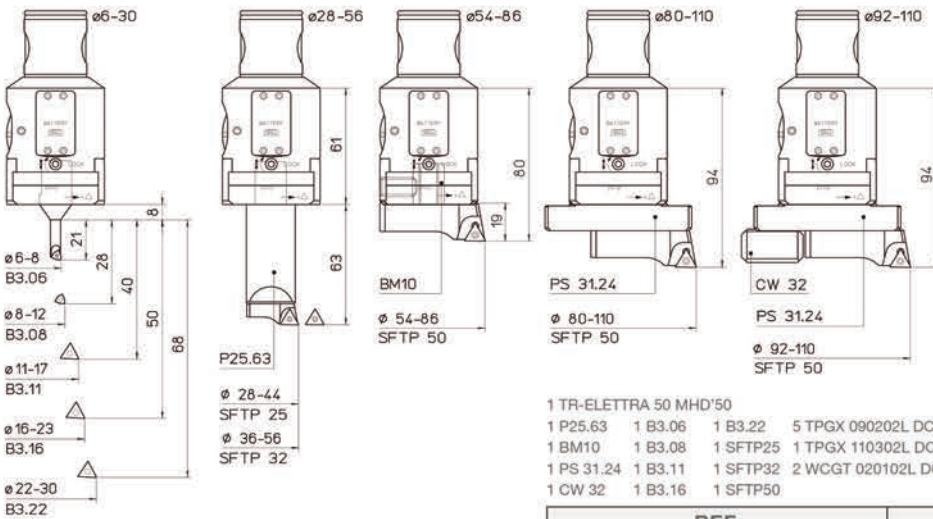
*testarossad'andrea*



2 µm



MHD'	REF.	CODE	Kg.
50	TR-ELETTRA 50 MHD'50	455200500500	1.1

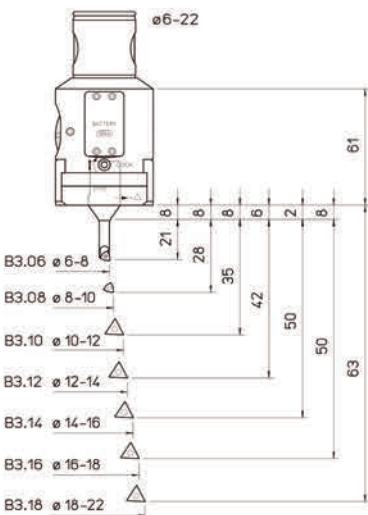


**KIT K01**  
Ø 6 ~ 110



- 1 TR-ELETTRA 50 MHD'50
- 1 P25.63 1 B3.06 1 B3.22 5 TPGX 090202L DC100
- 1 BM10 1 B3.08 1 SFTP25 1 TPGX 110302L DC100
- 1 PS 31.24 1 B3.11 1 SFTP32 2 WCGT 020102L DC100
- 1 CW 32 1 B3.16 1 SFTP50

REF.	CODE	Ø
K01 TR-ELETTRA 50 MHD'50	655200500500	6 ~ 110



**KIT K00**  
Ø 6 ~ 22



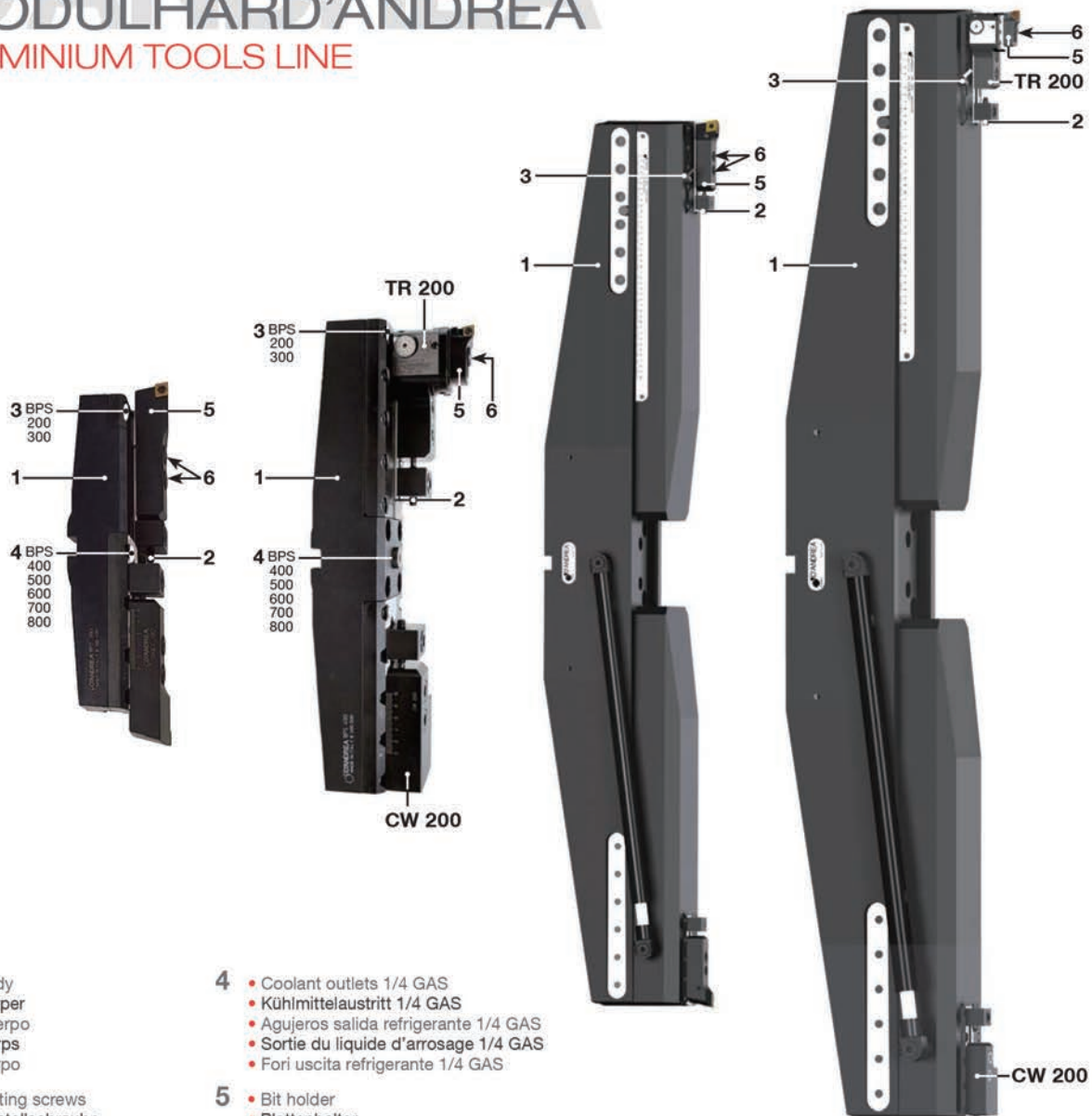
- 1 TR-ELETTRA 50 MHD'50
- 1 B3.06 1 B3.12 1 B3.18
- 1 B3.08 1 B3.14 5 TPGX 090202L DC100
- 1 B3.10 1 B3.16 2 WCGT 020102L DC100

REF.	CODE	Ø
K00 TR-ELETTRA 50 MHD'50	655200500501	6 ~ 22

# D'ANDREA

## MODULHARD'ANDREA

### ALUMINIUM TOOLS LINE



- |  |  |
|--|--|
| <p><b>1</b></p> <ul style="list-style-type: none"> <li>• Body</li> <li>• Körper</li> <li>• Cuerpo</li> <li>• Corps</li> <li>• Corpo</li> </ul> <p><b>2</b></p> <ul style="list-style-type: none"> <li>• Setting screws</li> <li>• Einstellschraube</li> <li>• Tornillo de regulación</li> <li>• Vis de réglage</li> <li>• Vite di regolazione</li> </ul> <p><b>3</b></p> <ul style="list-style-type: none"> <li>• Coolant outlets</li> <li>• Kühlmittelaustritt</li> <li>• Agujeros salida refrigerante</li> <li>• Sortie du liquide d'arrosage</li> <li>• Fori uscita refrigerante</li> </ul> | <p><b>4</b></p> <ul style="list-style-type: none"> <li>• Coolant outlets 1/4 GAS</li> <li>• Kühlmittelaustritt 1/4 GAS</li> <li>• Agujeros salida refrigerante 1/4 GAS</li> <li>• Sortie du liquide d'arrosage 1/4 GAS</li> <li>• Fori uscita refrigerante 1/4 GAS</li> </ul> <p><b>5</b></p> <ul style="list-style-type: none"> <li>• Bit holder</li> <li>• Plattenhalter</li> <li>• Portaplaquita</li> <li>• Porte-plaquettes</li> <li>• Seggio portainseriti</li> </ul> <p><b>6</b></p> <ul style="list-style-type: none"> <li>• Tools clamp screws</li> <li>• Werkzeugklemm-schrauben</li> <li>• Tornillos bloqueaje herramienta</li> <li>• Vis blocage outil</li> <li>• Viti bloccaggio utensile</li> </ul> |
|--|--|

**MR** BPS double bit 크로스바는  $\phi$  200 ~ 2800mm의 작업을 할 수 있습니다. BPS는 알루미늄으로 만들었고, 스틸 double bit plate와 조립되어 조작되어 집니다.

**GB** The BPS double-bit crossbars cover a working area from  $\phi$  200 - 2800 mm. The BPS double-bit crossbars are constructed in Aluminium and mounted on a steel double-bit plate.

**D** Die Zweischneider BPS bedecken ein Arbeitsfeld von  $\phi$  200 - 2800 mm. Die Bohrschienen BPS bestehen aus Aluminium auf welches die Sitzhalterungsplatte aus Stahl befestigt wird.

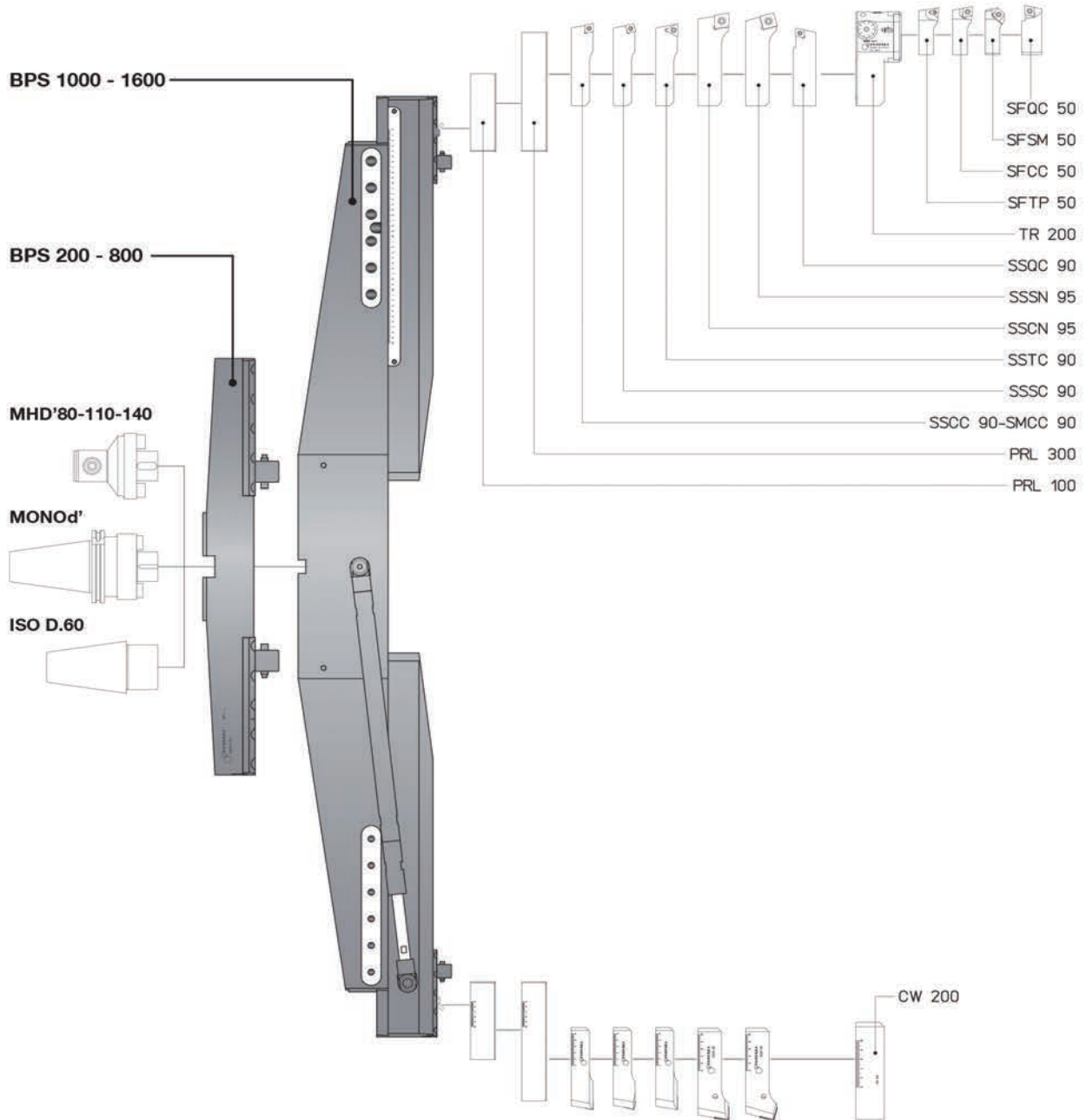
**E** Las barras porta-asiento BPS cubren un campo de trabajo de 200 a 2800 mm de diámetro. Las barras porta-asiento BPS están realizadas en aluminio, sobre el cual se fija la placa porta-asiento de acero.

**I** Le barre portaseggio BPS coprono un campo di lavoro da  $\phi$  200 - 2800 mm. Le barre portaseggio BPS sono costruite in alluminio sul quale viene fissata la piastra portaseggio in acciaio.



# BPS Ø 200 ~ 2800

- DOUBLE-BIT CROSSBARS FOR BIG DIAMETERS
- ZWEISCHNEIDERBOHRSCIENEN FÜR GROSSER DURCHMESSER
- BARRAS PORTA-ASIENTO DE DOS CORTES
- SEMELLES POUR A GRANDS DIAMÈTRES
- BARRE PORTASEGGIO PER GRANDI DIAMETRI



REF.	CODE	Kg.
BPS 200	43 55 40 88 198 0	3.2
BPS 300	43 55 40 88 298 0	3.9
BPS 400	43 55 40 88 398 0	6.9
BPS 500	43 55 60 88 494 0	9.4
BPS 600	43 55 60 88 594 0	9.9

REF.	CODE	Kg.
BPS 700	43 55 60 88 694 0	11.2
BPS 800	43 55 60 88 794 0	15.2
BPS 1000	43 55 60 90 1000	70
BPS 1160	43 55 60 90 1160	100
BPS 1600	43 55 60 90 1600	150



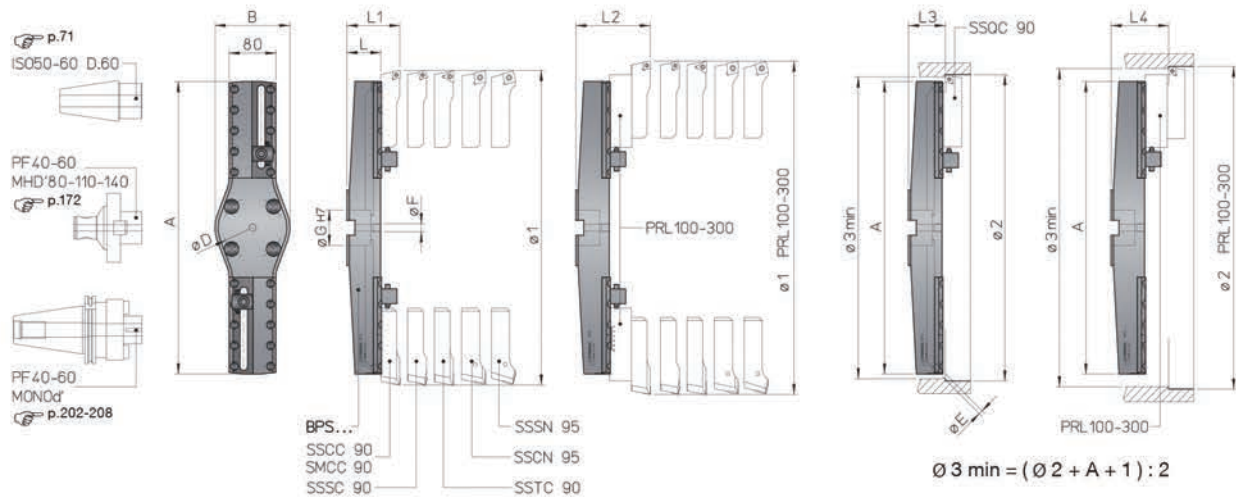
# D'ANDREA

## MODULHARD'ANDREA

### ALUMINIUM TOOLS LINE

## BPS 200~800 Ø 200 ~ 1200

- DOUBLE-BIT BORING CROSSBARS
- ZWEISCHNEIDER-BOHRSCHIENEN
- BARRAS PORTA-ASIENTO DE DOS CORTES
- LES SEMELLES PORTE-LOGEMENT À DEUX TRANCHANTS
- BARRE PORTASEGGIO BITAGLIANTI

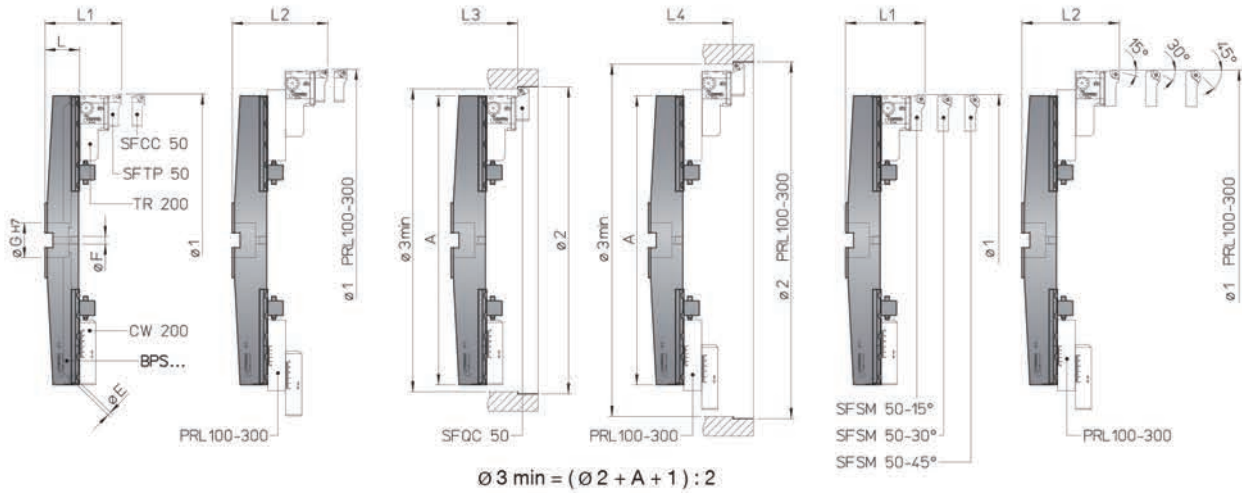


	BPS 200	BPS 300	BPS 400	BPS 500	BPS 600	BPS 700	BPS 800
A	194	288	394	494	594	694	794
B	-			128			
Ø D	(4xM12) 66.7			(4xM16) 101.6			
Ø E	2.5		-				
Ø F	-		1/4 GAS				
Ø G	40			60			
Ø 1	200 ~ 300	300 ~ 400	400 ~ 500	500 ~ 600	600 ~ 700	700 ~ 800	800 ~ 900
Ø 1 PRL 100	300 ~ 400	400 ~ 500	500 ~ 600	600 ~ 700	700 ~ 800	800 ~ 900	900 ~ 1000
Ø 1 PRL 300	400 ~ 600	500 ~ 700	600 ~ 800	700 ~ 900	800 ~ 1000	900 ~ 1100	1000 ~ 1200
Ø 2	202 ~ 302	302 ~ 402	402 ~ 502	502 ~ 602	602 ~ 702	702 ~ 802	802 ~ 902
Ø 2 PRL 100	302 ~ 402	402 ~ 502	502 ~ 602	602 ~ 702	702 ~ 802	802 ~ 902	902 ~ 1002
Ø 2 PRL 300	402 ~ 602	502 ~ 702	602 ~ 802	702 ~ 902	802 ~ 1002	902 ~ 1102	1002 ~ 1202
L	54		61	69	71	74	80
L1 S...90	86		93	101	103	106	112
L1 S...95	94		101	109	111	114	120
L2 PRL 100 S...90	116		123	131	133	136	142
L2 PRL 300 S...90	126		133	141	143	146	152
L2 PRL 100 S...95	124		131	139	141	144	150
L2 PRL 300 S...95	134		141	149	151	154	160
L3 SSQC 90	56.5		63.5	71.5	73.5	76.5	82.5
L4 PRL 100 SSQC 90	86.5		93.5	101.5	103.5	106.5	112.5
L4 PRL 300 SSQC 90	96.5		103.5	111.5	113.5	116.5	122.5



# BPS 200~800 Ø 200 ~ 1200

- DOUBLE-BIT CROSSBARS FOR BIG DIAMETER FINISH
- ZWEISCHNEIDER-BOHRSCIENEN FÜR FEINBEARBEITUNGEN GROSSER DURCHMESSER
- BARRAS PORTA-ASIENTO DE DOS CORTES
- LES SEMELLES PORTE-LOGEMENT POUR FINISSAGE DES GRANDS DIAMÈTRES
- BARRE PORTASEGGIO PER FINITURA GRANDI DIAMETRI



	BPS 200	BPS 300	BPS 400	BPS 500	BPS 600	BPS 700	BPS 800
A	194	288	394	494	594	694	794
B	-			128			
Ø D	(4xM12) 66.7			(4xM16) 101.6			
Ø E	2.5		-				
Ø F	-		1/4 GAS				
Ø G	40			60			
Ø 1	200 - 300	300 - 400	400 - 500	500 - 600	600 - 700	700 - 800	800 - 900
Ø 1 PRL 100	300 - 400	400 - 500	500 - 600	600 - 700	700 - 800	800 - 900	900 - 1000
Ø 1 PRL 300	400 - 600	500 - 700	600 - 800	700 - 900	800 - 1000	900 - 1100	1000 - 1200
Ø 2	202 - 302	302 - 402	402 - 502	502 - 602	602 - 702	702 - 802	802 - 902
Ø 2 PRL 100	302 - 402	402 - 502	502 - 602	602 - 702	702 - 802	802 - 902	902 - 1002
Ø 2 PRL 300	402 - 602	502 - 702	602 - 802	702 - 902	802 - 1002	902 - 1102	1002 - 1202
L	54		61	69	71	74	80
L1	120		127	135	137	140	146
L2 PRL 100	150		157	165	167	170	176
L2 PRL 300	160		167	175	177	180	186
L3	103		110	118	120	123	129
L4 PRL 100	133		140	148	150	153	159
L4 PRL 300	143		150	158	160	163	169

# D'ANDREA

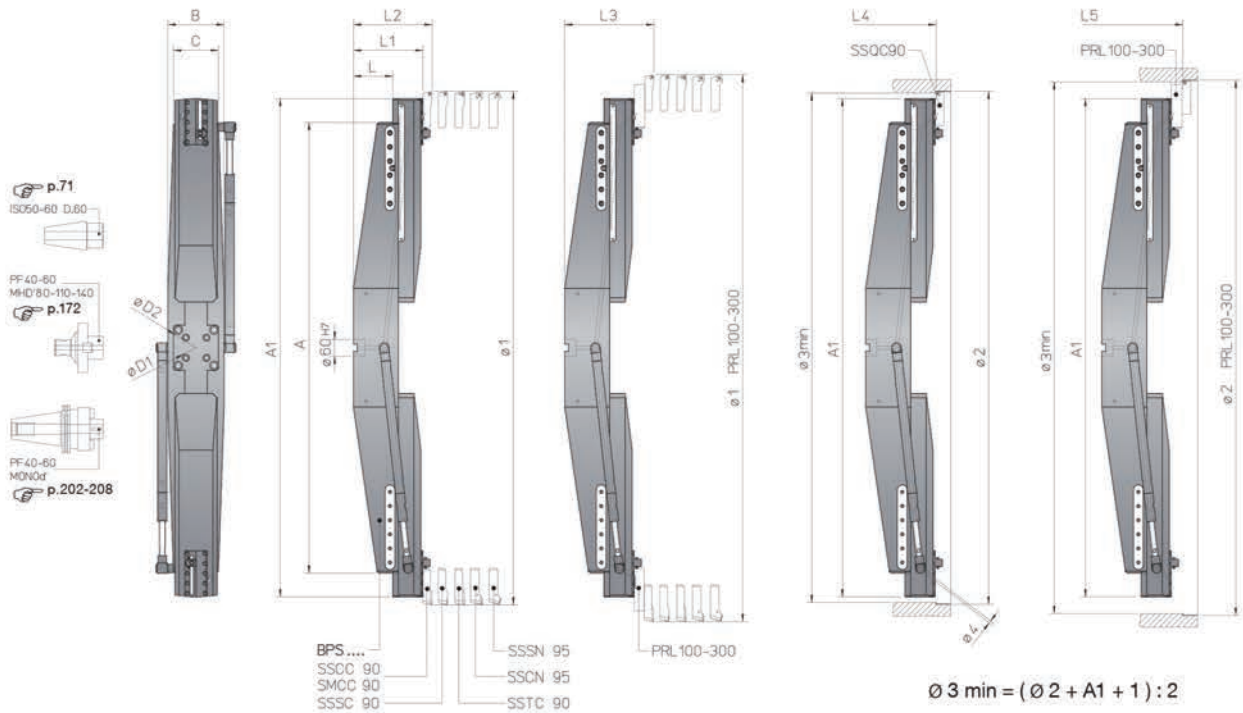
## MODULHARD'ANDREA

ALUMINIUM TOOLS LINE

### BPS 1000~1600

Ø 1000 ~ 2800

- DOUBLE-BIT BORING CROSSBARS
- ZWEISCHNEIDER-BOHRSCHIENEN
- BARRAS PORTA-ASIENTO DE DOS CORTES
- LES SEMELLES PORTE-LOGEMENT À DEUX TRANCHANTS
- BARRE PORTASEGGIO BITAGLIANTI



	BPS 1000	BPS 1160	BPS 1600
A	995		1595
A1	995 ~ 1495	1595 ~ 1895	1595 ~ 2395
B	160		200
C	150		160
Ø D1	(4xM16) 101.6		
Ø D2	-		(4xM20) 177.8
Ø 1	1000 ~ 1600	1600 ~ 2000	1600 ~ 2500
Ø 1 PRL 100	1100 ~ 1700	1700 ~ 2100	1700 ~ 2600
Ø 1 PRL 300	1200 ~ 1900	1800 ~ 2300	1800 ~ 2800
Ø 2	1002 ~ 1602	1602 ~ 2002	1602 ~ 2502
Ø 2 PRL 100	1102 ~ 1702	1702 ~ 2102	1702 ~ 2602
Ø 2 PRL 300	1202 ~ 1902	1802 ~ 2302	1802 ~ 2802
L	100		140
L1	191	206	246
L2 S... 90	223	238	278
L2 S... 95	231	246	286
L3 PRL 100 S... 90	253	268	308
L3 PRL 300 S... 90	263	278	318
L3 PRL 100 S... 95	261	276	316
L3 PRL 300 S... 95	271	286	326
L4 SSQC 90	193.5	208.5	248.5
L5 PRL 100 SSQC 90	223.5	238.5	278.5
L5 PRL 300 SSQC 90	233.5	248.5	288.5

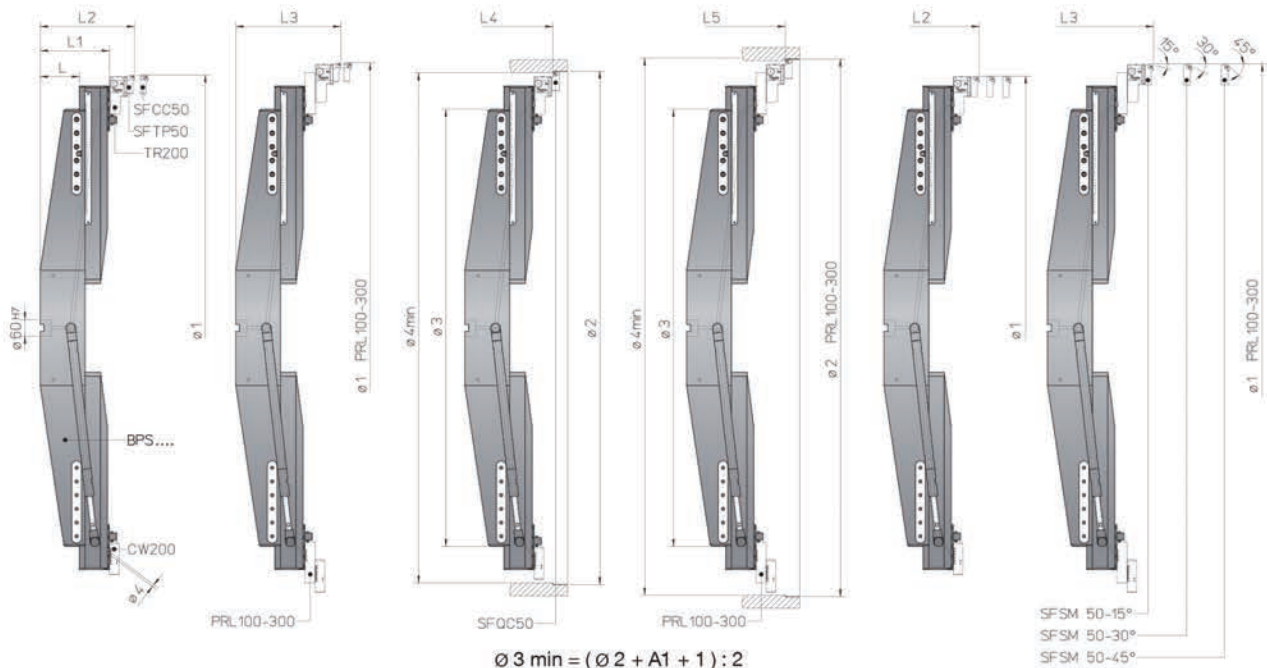




# BPS 1000~1600

Ø 1000 ~ 2800

- DOUBLE-BIT CROSSBARS FOR BIG DIAMETER FINISH
- ZWEISCHNEIDER-BOHRSCHIENEN FÜR FEINBEARBEITUNGEN GROSSER DURCHMESSER
- BARRAS PORTA-ASIENTO DE DOS CORTES
- LES SEMELLES PORTE-LOGEMENT POUR FINISSAGE DES GRANDS DIAMÈTRES
- BARRE PORTASEGGIO PER FINITURA GRANDI DIAMETRI



	BPS 1000	BPS 1160	BPS 1600
A	995		1595
A1	995 - 1495	1595 - 1895	1595 - 2395
B	160		200
C	150		160
Ø D1	(4xM16) 101.6		
Ø D2	-		
Ø 1	1000 - 1600	1600 - 2000	1600 - 2500
Ø 1 PRL 100	1100 - 1700	1700 - 2100	1700 - 2600
Ø 1 PRL 300	1200 - 1900	1800 - 2300	1800 - 2800
Ø 2	1002 - 1602	1602 - 2002	1602 - 2502
Ø 2 PRL 100	1102 - 1702	1702 - 2102	1702 - 2602
Ø 2 PRL 300	1202 - 1902	1802 - 2302	1802 - 2802
L	100		140
L1	191	206	246
L2	257	272	312
L3 PRL 100	287	302	342
L3 PRL 300	297	312	352
L4	240	255	295
L5 PRL 100	270	285	325
L5 PRL 300	280	295	335

**D'ANDREA**



# D'ANDREA

## MODULHARD'ANDREA

**BPS** Ø 200 ~ 2800

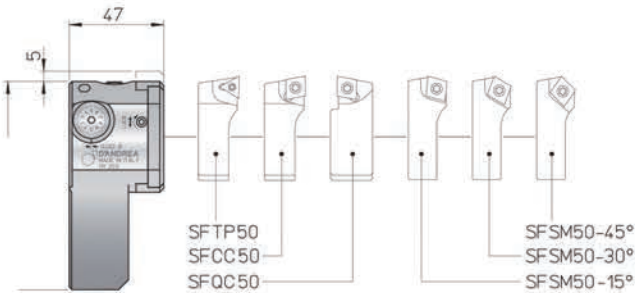
- MICROMETRIC HEAD
- MIKROMETRISCHER AUSDREHKOPF
- CABEZAL MICROMÉTRICO
- TÊTE MICROMÉTRIQUE
- TESTINA MICROMETRICA

**TR 200**

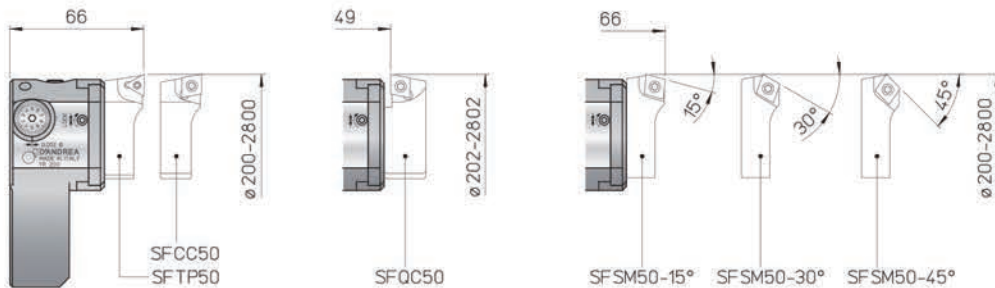


**2 μm**

- |  |   |
|--|---|
| <p><b>1</b></p> <ul style="list-style-type: none"> <li>• Body</li> <li>• Körper</li> <li>• Cuerpo</li> <li>• Corps</li> <li>• Corpo</li> </ul> <p><b>2</b></p> <ul style="list-style-type: none"> <li>• Slide toolholder</li> <li>• Werkzeugschlitten</li> <li>• Guía portaherramientas</li> <li>• Coulisseau</li> <li>• Slitta portautensili</li> </ul> | <p><b>3</b></p> <ul style="list-style-type: none"> <li>• Micrometric vernier scale</li> <li>• Mikrometrischer Nonius</li> <li>• Nonio micrométrico</li> <li>• Vernier micrométrique</li> <li>• Nonio micrometrico</li> </ul> <p><b>4</b></p> <ul style="list-style-type: none"> <li>• Slide clamp screw</li> <li>• Schlittenklemmschraube</li> <li>• Tornillo bloqueo guía</li> <li>• Vis blocage coulisseau</li> <li>• Vite bloccaggio slitta</li> </ul> |
|--|---|

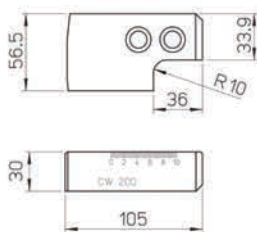


REF.	CODE	Kg.
TR 200	45 50 200 0200 0	1.3



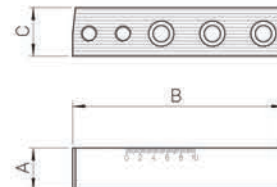
**D'ANDREA**

**CW**



REF.	CODE	Kg.
CW 200	39 20 110 105 01	1.3

**PRL**



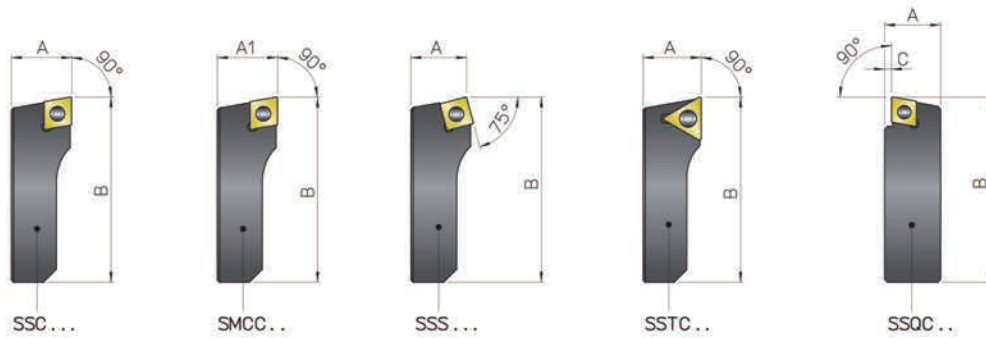
REF.	CODE	A	B	C	Kg.
PRL 100	39 20 110 155 01	31	155	35.5	1.1
PRL 300	39 20 110 300 01	41	255		2.8



# BPS Ø 200 ~ 2800

- BIT-HOLDERS FOR DOUBLE-BIT ITEMS
- PLATTENHALTER FÜR ZWEISCHNEIDERWERKZEUGE
- PORTAPLAQUITAS PARA ASIENTOS A DOS CUCHILLAS
- PORTE-PLAQUETTES POUR PRODUITS À DEUX COUPANTS
- SEGGI PER BITAGLIENTI

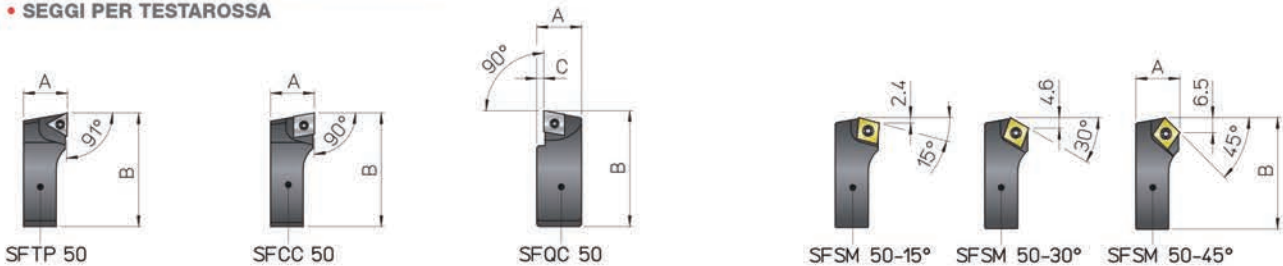
**SS-SM**



REF.	CODE	A	A1	B	C						Kg.
SSCC 90	47 050 05 90 201	32	-	130	-	CCMT 1204..	-	-	TS 5	TORX T25	0.7
SSCN 95	47 050 05 95 201	40	-	130	-	CNM. 1906..	-	-		p.152	0.9
SMCC 90	47 050 05 90 203	-	31.7	130	-	CCMT 1204..	-	-	TS 5	TORX T25	0.7
SSSC 90	47 050 05 90 202	32	-	130	-	-	SCMT 1204..	-	TS 5	TORX T25	0.7
SSSN 95	47 050 05 95 202	40	-	130	-	-	SNM . 1906..	-		p.152	0.9
SSTC 90	47 050 05 90 206	32	-	130	-	TCMT 2204..	-	-	TS 5	TORX T25	0.7
SSQC 90	47 050 05 90 261	31.5	-	122	3.5	CCMT 1204..	-	-	TS 5	TORX T25	0.8

- BIT-HOLDERS FOR TESTAROSSA
- PLATTENHALTER FÜR TESTAROSSA
- PORTA-PLAQUITAS PARA TESTAROSSA
- PORTE-PLAQUETTES POUR TESTAROSSA
- SEGGI PER TESTAROSSA

**SF**



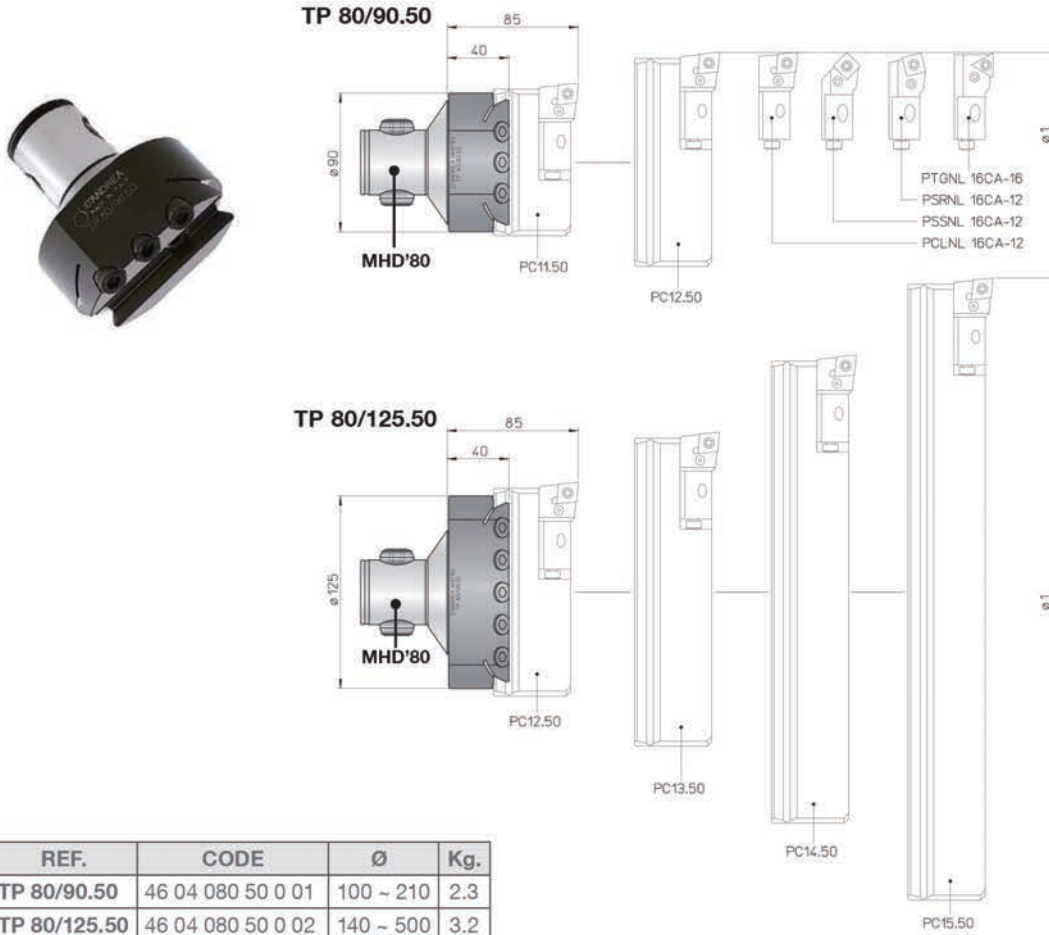
REF.	CODE	A	B	C					Kg.
SFTP 50	47 050 05 50 001	19	52	-	TPGX 1103..	-	CS 300890T	TORX T08	0.08
SFCC 50	47 050 05 50 002	19	52	-	-	CCGT 09T3..	TS 4	TORX T15	0.08
SFQC 50	47 050 05 50 062	20.5	53	3	-	CCMT 09T3..	TS 4	TORXT15	0.1
SF5M 50-15°	47 050 05 50 011	19	50.5	-	-	CCMT 09T3..	TS 4	TORXT15	0.07
SF5M 50-30°	47 050 05 50 013								
SF5M 50-45°	47 050 05 50 015								

**D'ANDREA**

# D'ANDREA MODULHARD'ANDREA

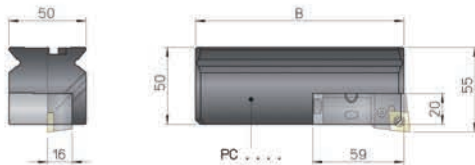
## TP Ø 100 ~ 500

- TOOLHOLDERS
- WERKZEUGHALTER
- PORTAHERRAMIENTAS
- PORTE-OUTILS
- PORTAUTENSILI



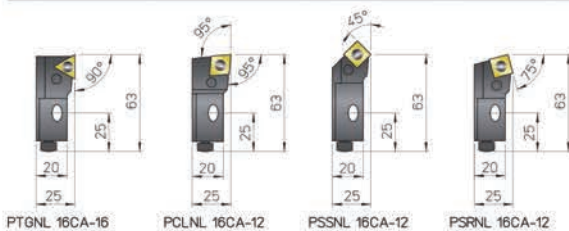
REF.	CODE	Ø	Kg.
TP 80/90.50	46 04 080 50 0 01	100 ~ 210	2.3
TP 80/125.50	46 04 080 50 0 02	140 ~ 500	3.2

## PC



REF.	CODE	B	Ø 1 TP80/90.50	Ø 1 TP80/125.50	Kg.
PC 11.50	43 30 50 16 095 0	95	100 ~ 140	-	1.3
PC 12.50	43 30 50 16 135 0	135	140 ~ 210	140 ~ 210	2
PC 13.50	43 30 50 16 200 0	200	-	210 ~ 310	3.2
PC 14.50	43 30 50 16 300 0	300	-	310 ~ 410	4.8
PC 15.50	43 30 50 16 400 0	400	-	410 ~ 500	6.3

## 16CA ISO 5611



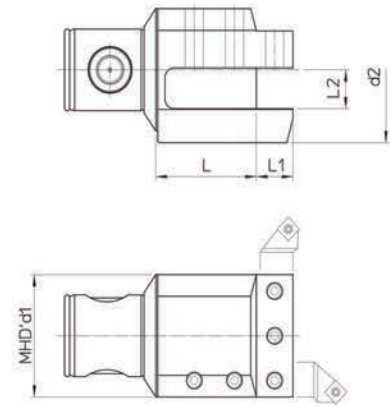
REF.	CODE	△
PTGNL 16CA-16	48 3 01 016 1 001	TNM. 1604..
PCLNL 16CA-12	48 3 01 016 1 002	CNM. 1204..
PSSNL 16CA-12	48 3 01 016 1 003	SNM. 1204..
PSRNL 16CA-12	48 3 01 016 1 004	

- On request
- Auf Anfrage
- A petición
- Sur demande
- Fornibili su richiesta



- TOOLHOLDERS
- WERKZEUGHALTER
- PORTAHERRAMIENTAS
- PORTE-OUTILS
- PORTAUTENSILI

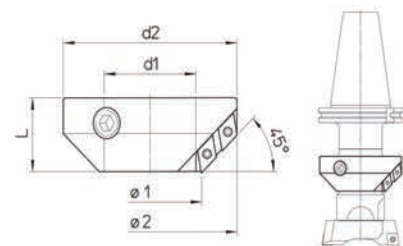
**TU**



REF.	CODE	MHD* d1	d2	L	L1	L2	Kg.
TU 50/60.16	46 05 050 16 001	50	60	44	16	16	1.2
TU 63/75.20	46 05 063 20 001	63	75	55	20	20	2.4
TU 80/95.25	46 05 080 25 001	80	95	65	25	25	3.6

- CHAMFERING TOOLS
- FASRINGE
- HERRAMIENTAS PARA ACHAFLANAR
- OUTIL À CHANFREINER
- ANELLO PER SMUSSI

**AS.. 45°**



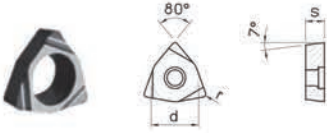
REF.	CODE	Ø1	d1	d2	L				Kg.
AS 16.45	65 56 016 0013 0	18 ~ 28	16	28	13	DCMT 0702..	TS 25	TORX T08	0.035
AS 20.45	65 56 020 0015 0	23 ~ 32	20	32	15				0.045
AS 25.45	65 56 025 0018 0	28 ~ 43	25	43	18				0.1
AS 32.45	65 56 032 0022 0	35 ~ 54	32	54	22				0.2
AS 40.45	65 56 040 0030 0	46 ~ 72	40	72	30	DCMT 11T3..	TS 4	TORX T15	0.5
AS 50.45	65 56 050 0038 0	56 ~ 95	50	95	38				1.1
AS 63.45	65 56 063 0046 0	75 ~ 125	63	125	46	DCMT 1504..	TS 5	TORX 25	2.3
AS 80.45	65 56 080 0058 0	95 ~ 165	80	165	58				5.2

**D'ANDREA**



- INSERTS
- WENDEPLATTEN
- PLAQUITAS
- PLAQUÉTTES
- INSERTI

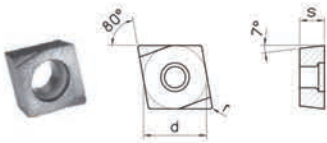
## WCGT ○○○○○○ L



REF.	d	s	r	T	S	CARBIDE		CERMET	COATED CERMET
						DP300	DK100	DC100	DC100T
WCGT 020102 L	3.97	1.59	0.2	TS 21*-TS 211*	TORX T06	•	•	•	•
WCGT 020104 L			0.4			•	•	•	•

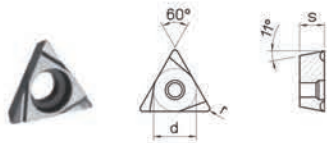
\* TS21 : B...06  
\* TS211 : B...08

## CCGT ○○○○○○ L



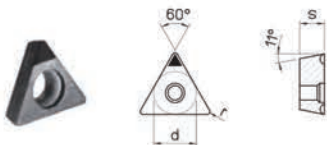
REF.	d	s	r	T	S	CARBIDE		CERMET	COATED CERMET
						DP300	DK100	DC100	DC100T
CCGT 060200 L10°	6.35	2.38	0	TS 25	TORX T08	•	•	•	•
CCGT 060202 L			0.2			•	•	•	•
CCGT 060204 L			0.4			•	•	•	•
CCGT 09T302 L	9.525	3.97	0.2	TS 4	TORX T15	•	•	•	•
CCGT 09T304 L			0.4			•	•	•	•

## TPGX ○○○○○○ L



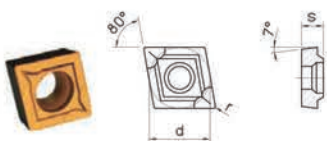
REF.	d	s	r	T	S	CARBIDE		CERMET	COATED CERMET
						DP300	DK100	DC100	DC100T
TPGX 090200 L10°	5.56	2.38	0	CS250T	TORX T08	•	•	•	•
TPGX 090202 L			0.2			•	•	•	•
TPGX 090204 L			0.4			•	•	•	•
TPGX 110300 L10°	6.35	3.18	0	CS300890T	TORX T08	•	•	•	•
TPGX 110302 L			0.2			•	•	•	•
TPGX 110304 L			0.4			•	•	•	•

## TPGX ○○○○○○



REF.	d	s	r	T	S	SINTERED DIAMOND		CUBIC BORON NITRIDE	
						D20 MDC	D20 CBN	D25 CBN	D25 CBN
TPGX 090202	5.56	2.38	0.2	CS250T	TORX T08	•	•	•	•
TPGX 090204			0.4			•	•	•	
TPGX 110302	6.35	3.18	0.2	CS300890T	TORX T08	•	-	•	•
TPGX 110304			0.4			•	•	•	

## CCMT ○○○○○○



REF.	d	s	r	T	S	CARBIDE	CVD COATED CARBIDE
						DP300	DP100 R
CCMT 060202	6.35	2.38	0.2	TS 25	TORX T08	•	•
CCMT 060204			0.4			•	•
CCMT 09T304	9.525	3.97	0.4	TS 4	TORX T15	•	•
CCMT 09T308			0.8			•	•
CCMT 120404	12.7	4.76	0.4	TS 5	TORX T25	•	•
CCMT 120408			0.8			•	•



- BORING GRADE
- ÜBERSICHT AUSBOHRQUALITÄTEN
- CALIDAD DE MANDRINADO
- QUALITÉ D'ALÉSAGE
- QUALITÀ DI BARENATURA

ISO	CARBIDE HARTMETALL METAL DURO CARBURE METALLO DURO	CERMET	COATED CERMET CERMET BESCHICHTET CERMET RECUBIERTO CERMET REVÊTU CERMET RIVESTITO	CVD COATED CARBIDE HARTMETALL CVD BESCHICHTET METAL DURO RECUBIERTO CVD CARBURE REVÊTU CVD METALLO DURO RIVESTITO CVD
P01				
P10		DC100	DC100T	DP100R
P20	DP300			
P30				
P40				
K01				
K10	DK100	DC100	DC100T	DP100R
K20	DP300			
K30				

#### DP300

- Roughing and finishing. Low carbon steel - stainless steels
- Schruppen und Schlichten. Stahl mit niedrigem Kohlenstoffgehalt - rostfreier Stahl
- Desbaste y acabado. Aceros con bajo contenido de carbono - Aceros inoxidables
- Ébauche et finition. Acier à bas teneur en carbon - acier inoxydable
- Sgrossatura e finitura. Acciai a basso tenore di carbonio - acciai inox

#### DK100

- Roughing and finishing. Aluminium alloy Cast iron
- Schruppen und Schlichten. Aluminium-Legierungen Gusseisen
- Desbaste y acabado. Aleaciones de aluminio Fundiciones
- Ébauche et finition. Alliage aluminium Fonte
- Sgrossatura e finitura. Leghe di alluminio Ghise

#### DP100R

- Roughing. Steels, alloy steels and cast iron
- Schruppen. Stahl, legierter Stahl und Gusseisen
- Desbaste. Aceros, aceros aleados y fundiciones
- Ébauche. Aciers, alliage acier et fonte
- Sgrossatura. Acciai, acciai legati e ghise

#### DC100

- Finishing. Alloy steels and cast iron
- Schlichten. Legierter Stahl und Gusseisen
- Acabado. Aceros aleados en general y fundiciones esferoidales
- Finition. Alliage acier et fonte ductile
- Finitura. Acciai legati in genere e ghise sferoidali

#### DC100T

- Finishing. Alloy steels, stainless steels and cast iron
- Schlichten. Legierter Stahl, rostfreier Stahl und Gusseisen
- Acabado. Aceros aleados en general, aceros inoxidables y fundiciones esferoidales
- Finition. Alliage acier, acier inoxydable et fonte ductile
- Finitura. Acciai legati in genere, acciai inox e ghise sferoidali

#### D20MDC

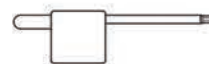
- Finishing. Aluminium alloys, non-ferrous materials and non-metals
- Schlichten. Aluminium-Legierungen, Nichteisenmetalle und nicht-metallische Materialien
- Acabado. Aleaciones de aluminio, materiales no ferrosos y no metálicos
- Finition. Alliage aluminium, non-ferreux et composites
- Finitura. Leghe di alluminio, materiali non-ferrosi e non-metalli

#### D20CBN

- Finishing. High hardness steels (over 50 HRC) (it may replace the grinding)
- Schlichten. Stahl mit Härte über 50 HRC (kann gegebenenfalls das Schleifen ersetzen)
- Acabado. Aceros de dureza elevada superior a 50 HRC (puede sustituir el rectificado)
- Finition. Acier à haute dureté, supérieure à 50 HRC (il peut remplacer la rectification)
- Finitura. Acciai con elevata durezza superiore 50 HRC (può sostituire la rettifica)

#### D25CBN

- Finishing. High hardness steel (over 50 HRC) and interrupted cutting (it may replace the grinding)
- Schlichten. Stahl mit Härte über 50 HRC und bei unterbrochenem Schnitt (kann gegebenenfalls das Schleifen ersetzen)
- Acabado. Aceros de dureza elevada superior a 50 HRC y corte interrumpido (puede sustituir el rectificado)
- Finition. Acier à haute dureté, supérieure à 50 HRC et coupe interrompue (il peut remplacer la rectification)
- Finitura. Acciai con elevata durezza superiore 50 HRC e taglio interrotto (può sostituire la rettifica)



TORX

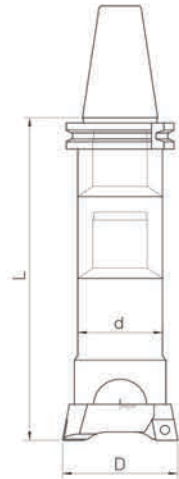
REF.	CODE	M	L	D	REF.	CODE
TS 21	49 40 1 0002034	M 2x0.4	3.7	2.7	TORX T06	10 150 09 0 0600
TS 211	49 40 1 0002040		4			
CS 250 T	49 40 1 0002565	M 2.5x0.45	6	3.7	TORX T08	10 150 09 0 0800
CS 300890 T	49 40 1 0003008	M 3x0.5	8	4.1		
TS 25	49 40 1 0002555	M 2.5x0.45	5.7	3.45		
TS 4	49 40 1 0004008	M 4x0.7	10	5.5	TORX T15	10 150 09 0 1500
TS 5	49 40 1 0005009	M 5x0.8	11.5	7	TORX T25	10 150 09 0 2500
DMC US63	49 42 1 0035070	M 3.5x0.6	10	5.2	TORX T15	10 150 09 0 1500



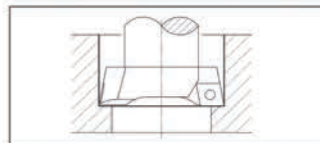
# D'ANDREA MODULHARD'ANDREA

- RECOMMENDED CUTTING CONDITIONS FOR ROUGHING OPERATIONS WITH DOUBLE-BIT HEADS TS
- DATI DI TAGLIO CONSIGLIATI PER SGROSSATURA DI FORI CON TESTINE BITAGLIANTI TS

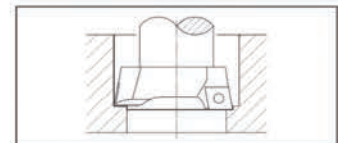
material materiale	boring bar dimensions dimensioni bareno	working conditions condizioni di lavoro	cutting speed $V_c = m/min.$ velocità di taglio $V_c = m/min.$			feed $f_n = mm/rev$ (twin cutters) avanzamento $f = mm/giro$ (due taglienti)		
			D < 38	diameter diametro		R = 0.2	insert radius raggio inserto	
				D = 38-120	D > 120		R = 0.4	R = 0.8
carbon steel acciaio al carbonio HB ≤ 200	L / d = 2.5	good / buona	120 - 180	140 - 200	160 - 250	-	0.2 - 0.4	0.3 - 0.5
	L / d = 4	normal / normale	100 - 160	120 - 180	140 - 200	-	0.2 - 0.4	0.3 - 0.5
	L / d = 6.3	difficult / difficile	70 - 100	70 - 100	70 - 100	0.15 - 0.3	0.2 - 0.4	-
carbon steel acciaio al carbonio HB > 200	L / d = 2.5	good / buona	100 - 160	120 - 180	140 - 200	-	0.2 - 0.4	0.3 - 0.5
	L / d = 4	normal / normale	80 - 140	100 - 160	120 - 180	-	0.2 - 0.4	0.3 - 0.5
	L / d = 6.3	difficult / difficile	60 - 90	70 - 100	70 - 100	0.15 - 0.3	0.2 - 0.4	-
stainless steel acciaio inox AISI 304 - 316	L / d = 2.5	good / buona	80 - 110	90 - 120	100 - 140	-	0.2 - 0.4	0.3 - 0.5
	L / d = 4	normal / normale	70 - 100	80 - 110	90 - 120	-	0.2 - 0.4	0.3 - 0.5
	L / d = 6.3	difficult / difficile	60 - 90	60 - 90	60 - 90	0.15 - 0.3	0.2 - 0.4	-
cast iron ghisa	L / d = 2.5	good / buona	90 - 120	100 - 140	120 - 160	-	0.2 - 0.4	0.3 - 0.5
	L / d = 4	normal / normale	70 - 100	90 - 120	100 - 140	-	0.2 - 0.4	0.3 - 0.5
	L / d = 6.3	difficult / difficile	60 - 90	60 - 90	60 - 90	0.15 - 0.3	0.2 - 0.4	-
aluminium alluminio	L / d = 2.5	good / buona	160 - 250	200 - 300	250 - 350	-	0.3 - 0.5	0.4 - 0.6
	L / d = 4	normal / normale	140 - 200	160 - 250	200 - 300	-	0.3 - 0.5	0.4 - 0.6
	L / d = 6.3	difficult / difficile	100 - 150	100 - 150	100 - 150	0.2 - 0.4	0.3 - 0.5	-



cutting depth profondità di passata $a_p = mm$	working range campo di lavoro $\varnothing = mm$	max. cutting depth max. profondità di passata	
		steel acciaio	cast iron, aluminium ghisa, alluminio
	18 - 28	1.5 - 2	2 - 2.5
	28 - 50	2 - 3	2.5 - 3.5
	50 - 68	3 - 4	3.5 - 5
	68 - 200	4 - 5	5 - 7
	200 - 500	5 - 6	6 - 8



- Twin cutters at the same cutting diameter
- Due taglienti sullo stesso diametro



- Twin cutters at different cutting diameters
- Due taglienti su diametri diversi

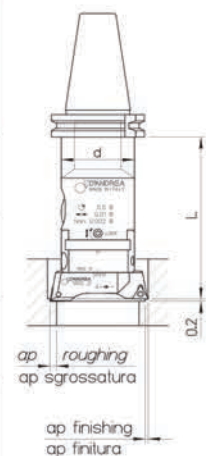
- It's advisable to start with B hole ≥ the boring bar diameter d.
- È consigliabile che il preforo B sia ≥ al diametro del bareno d.

• **ATTENTION:** For boring operations at different diameters, reduce to a half the feed indicated on the above table.

- **ATTENZIONE:** Per lavorare con un solo tagliente o con differenti diametri di taglio, dimezzare l'avanzamento indicato in tabella.

- RECOMMENDED CUTTING CONDITIONS FOR BORING OPERATIONS WITH DOUBLE-BIT TESTAROSSA TRD
- DATI DI TAGLIO CONSIGLIATI PER ALESATURA CON TESTAROSSA BITAGLIANTE TRD

material materiale	boring bar dimensions dimensioni bareno	working conditions condizioni di lavoro	cutting speed $V_c = m/min.$ velocità di taglio $V_c = m/min.$	feed $f_n = mm/rev$ avanzamento $f_n = mm/giro$		quality insert qualità inserto		cutting depth profondità di passata			
				insert radius raggio inserto		roughing sgrossatura	finishing finitura	finishing finitura	roughing sgrossatura		
				R = 0.2	R = 0.4				$\varnothing 28$ $\varnothing 46$	$\varnothing 46$ $\varnothing 75$	$\varnothing 75$ $\varnothing 120$
carbon steel acciaio al carbonio HB ≤ 200	L / d = 2.5	good / buona	160 - 250	0.1 - 0.2	0.1 - 0.2	DC100 DP300	DP300 DP100R	0.15 - 0.3	1.5	2	2.5
	L / d = 4	normal / normale	120 - 180	0.1 - 0.2	0.1 - 0.2						
	L / d = 6.3	difficult / difficile	70 - 100	*0.1 - 0.15	0.1 - 0.2						
carbon steel acciaio al carbonio HB > 200	L / d = 2.5	good / buona	140 - 200	0.1 - 0.2	0.1 - 0.2	DC100	DP300 DP100R	0.15 - 0.3	1.5	2	2.5
	L / d = 4	normal / normale	100 - 160	0.1 - 0.2	0.1 - 0.2						
	L / d = 6.3	difficult / difficile	70 - 100	*0.1 - 0.15	0.1 - 0.2						
stainless steel acciaio inox AISI 304 - 316	L / d = 2.5	good / buona	100 - 140	0.1 - 0.2	0.1 - 0.2	DP300	DP300	0.15 - 0.3	1.5	2	2.5
	L / d = 4	normal / normale	80 - 110	0.1 - 0.2	0.1 - 0.2						
	L / d = 6.3	difficult / difficile	60 - 90	*0.1 - 0.15	0.1 - 0.2						
cast iron ghisa	L / d = 2.5	good / buona	120 - 160	0.1 - 0.2	0.1 - 0.2	DK100 DC300	DP100R	0.15 - 0.3	2	2.5	3
	L / d = 4	normal / normale	90 - 120	0.1 - 0.2	0.1 - 0.2						
	L / d = 6.3	difficult / difficile	60 - 90	*0.1 - 0.15	0.1 - 0.2						
aluminium alluminio	L / d = 2.5	good / buona	250 - 350	0.1 - 0.2	0.1 - 0.2	DK100	DK100	0.15 - 0.3	2	2.5	3
	L / d = 4	normal / normale	160 - 250	0.1 - 0.2	0.1 - 0.2						
	L / d = 6.3	difficult / difficile	100 - 150	*0.1 - 0.15	0.1 - 0.2						



- \* Only for finishing inserts
- \* Solo per inserti di finitura



• RECOMMENDED CUTTING CONDITIONS FOR BORING OPERATIONS WITH TESTAROSSA TRC / TRM / TR-PSC  
 • DATI DI TAGLIO CONSIGLIATI PER L'ALESATURA CON TESTAROSSA TRC / TRM / TR-PSC

material materiale	boring bar dimensions dimensioni bareno	working conditions condizioni di lavoro	cutting speed Vc= m/min. velocità di taglio Vc= m/min.	feed fn= mm/rev avanzamento fn= mm/giro			quality insert qualità inserto	cutting depth profondità di passata	
				insert radius raggio inserto					
				R = 0.0	R = 0.2	R = 0.4			
carbon steel acciaio al carbonio HB ≤ 200	L / d = 2.5	good / buona	200 - 300	-	0.05 - 0.08	0.07 - 0.1	DC100 DP300	0.1 - 0.25 mm	
	L / d = 4	normal / normale	160 - 250	-	0.05 - 0.08	0.07 - 0.1			
	L / d = 6.3	difficult / difficile	70 - 100	0.05 - 0.08	0.05 - 0.08	-			
carbon steel acciaio al carbonio HB > 200	L / d = 2.5	good / buona	160 - 250	-	0.05 - 0.08	0.07 - 0.1	DC100		
	L / d = 4	normal / normale	150 - 200	-	0.05 - 0.08	0.07 - 0.1			
	L / d = 6.3	difficult / difficile	70 - 100	0.05 - 0.08	0.05 - 0.08	-			
stainless steel acciaio inox AISI 304 - 316	L / d = 2.5	good / buona	120 - 160	-	0.05 - 0.08	0.07 - 0.1	DP300		
	L / d = 4	normal / normale	100 - 140	-	0.05 - 0.08	0.07 - 0.1			
	L / d = 6.3	difficult / difficile	70 - 100	0.05 - 0.08	0.05 - 0.08	-			
cast iron ghisa	L / d = 2.5	good / buona	120 - 160	-	0.05 - 0.08	0.07 - 0.1	DK100 DC100		
	L / d = 4	normal / normale	100 - 140	-	0.05 - 0.08	0.07 - 0.1			
	L / d = 6.3	difficult / difficile	70 - 100	0.05 - 0.08	0.05 - 0.08	-			
aluminium alluminio	L / d = 2.5	good / buona	300 - 400	-	0.05 - 0.08	0.07 - 0.1	DK100		
	L / d = 4	normal / normale	250 - 350	-	0.05 - 0.08	0.07 - 0.1			
	L / d = 6.3	difficult / difficile	100 - 150	0.05 - 0.08	0.05 - 0.08	-			
steel acciaio HB ≤ 200	L / d = 2.5	good / buona	80 - 100	-	0.04 - 0.06	0.05 - 0.07	D20CBN		
	L / d = 4	normal / normale	80 - 100	-	0.04 - 0.06	0.05 - 0.07			

• CALCULATION FORMULAS FOR BORING  
 • FORMULA DI CALCOLO PER ALESATURA

**Vc** • cutting speed (m/min.)  
 • velocità di taglio (m/min.)

$$Vc = \frac{\pi \cdot D \cdot n}{1000}$$

**D** • diameter of workpiece (mm)  
 • diametro del pezzo da lavorare (mm)

$$n = \frac{Vc \cdot 1000}{\pi \cdot D}$$

**n** • number of revolutions / min' (rev./min)  
 • numero di giri al minuto (giri/min.)

**Vf** • feed rate (mm/min.)  
 • velocità avanzamento (mm/min.)

$$Vf = n \cdot fn$$

**fn** • feed / rev. (mm/rev)  
 • avanzamento al giro (mm/giro)

**π** • 3.14