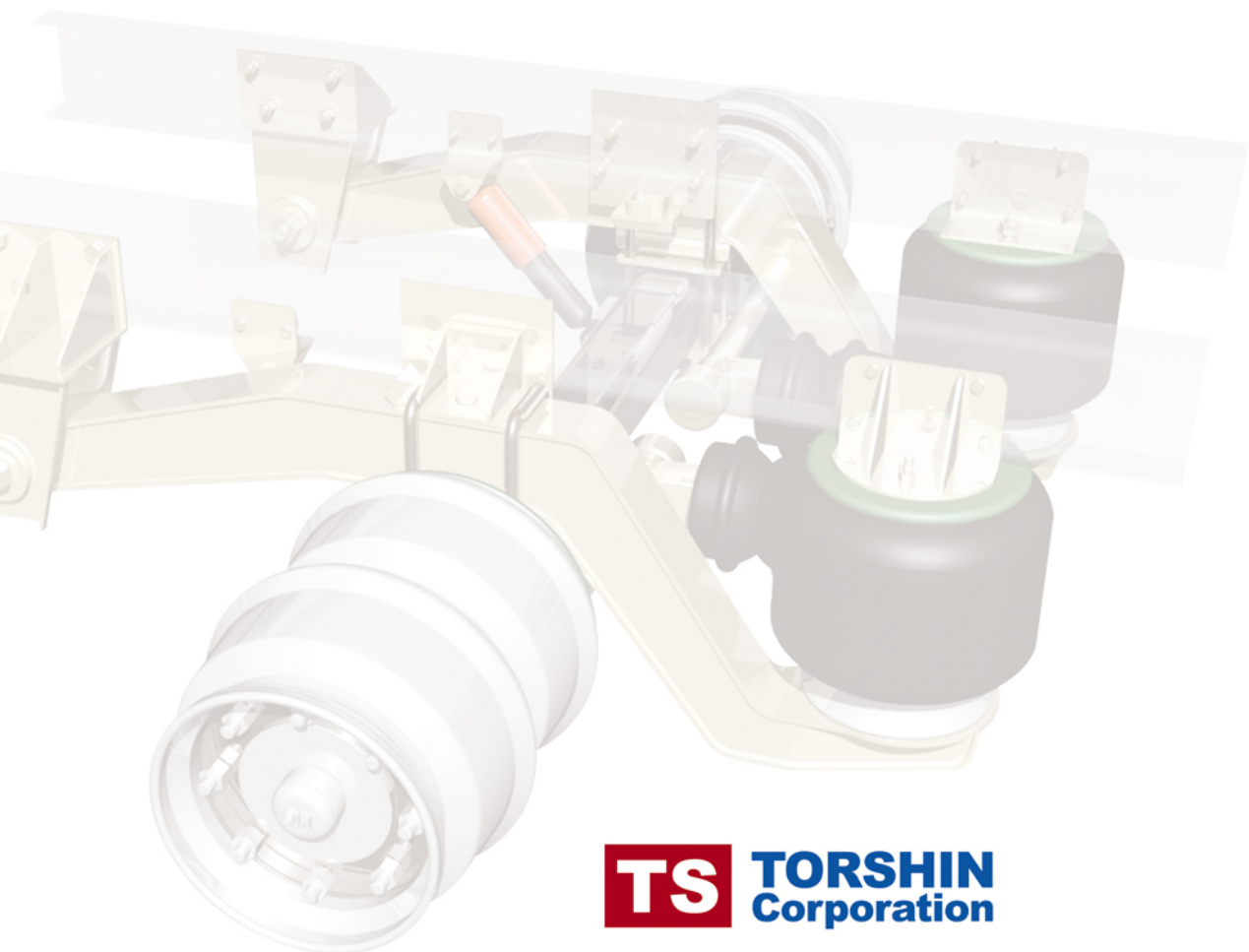




# TORSHIN

TRUCK & TRAILER AIR SUSPENSION

INTEGRATED SUSPENSION AND AXLE ASSEMBLY

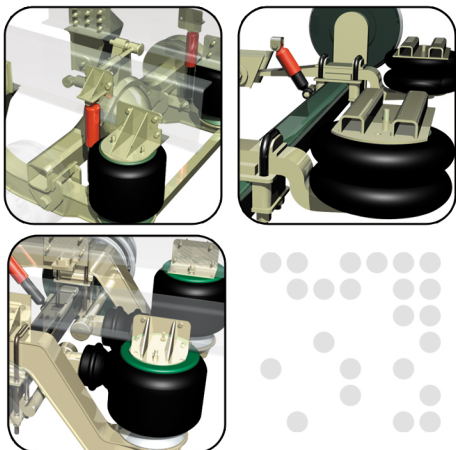




**TS** **TORSHIN**  
Corporation

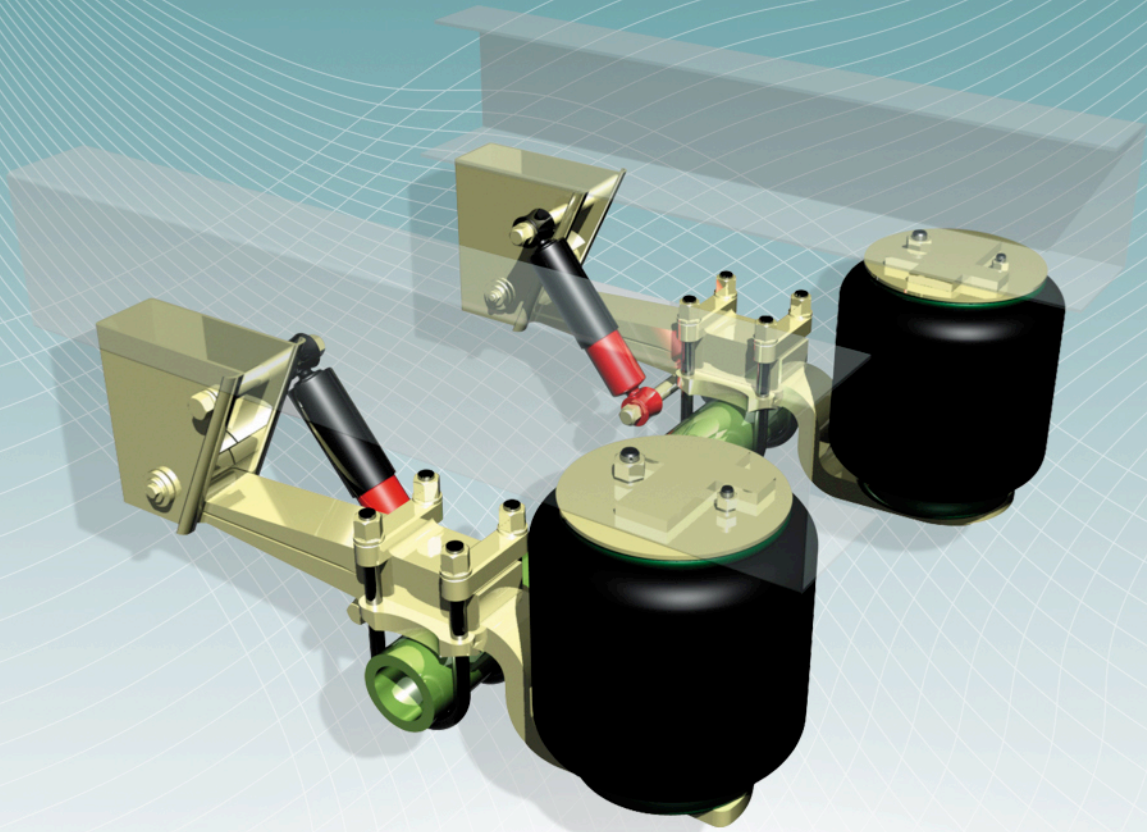
## TRUCK & TRAILER AIR SUSPENSION

**Torshin Corporation is** the industry leader in the design and manufacture of air suspension systems for trucks and trailers for original equipment manufacturers (OEMs) and related after sales markets.





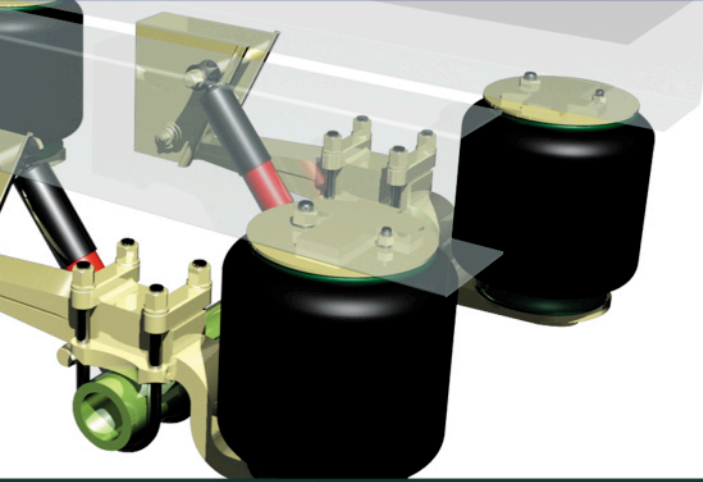
Tel. +82-32-876-7198~9 Fax. +82-32-876-7196  
305~306, E-dong, 765-16, Dohwa-dong, Nam-gu, Incheon, Korea



# TS-250EU Series Trailer Air Suspension

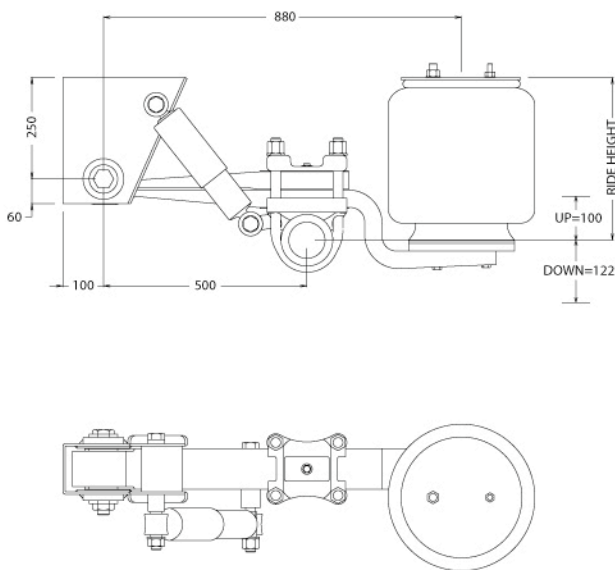
## TS-250EU Series

- 5 Year Warranty
- 25,000lb. Capacity per Axle
- Easy Alignment



**Torshin Corporation is** the industry leader in the design and manufacture of air suspension systems for trucks and trailers for original equipment manufacturers (OEMs) and related after sales markets.

# TRUCK & TRAILER AIR SUSPENSION



## TS-250EU Series Trailer Air Suspension

### Features and Benefits

- Capacity: 12 Ton/axle
- Axle Travel: 222mm
- Ride Heights: 400 (15.75")mm
- Parabolic Trailing Arm
- Shock absorber: KONI, GABRIEL
- Easy Axle Alignment

### Application

- Tank Trailer
- Bulk Cement Trailer
- Dump Trailer
- Flat Bed Trailer

\*Optional: Axle Lift system available.

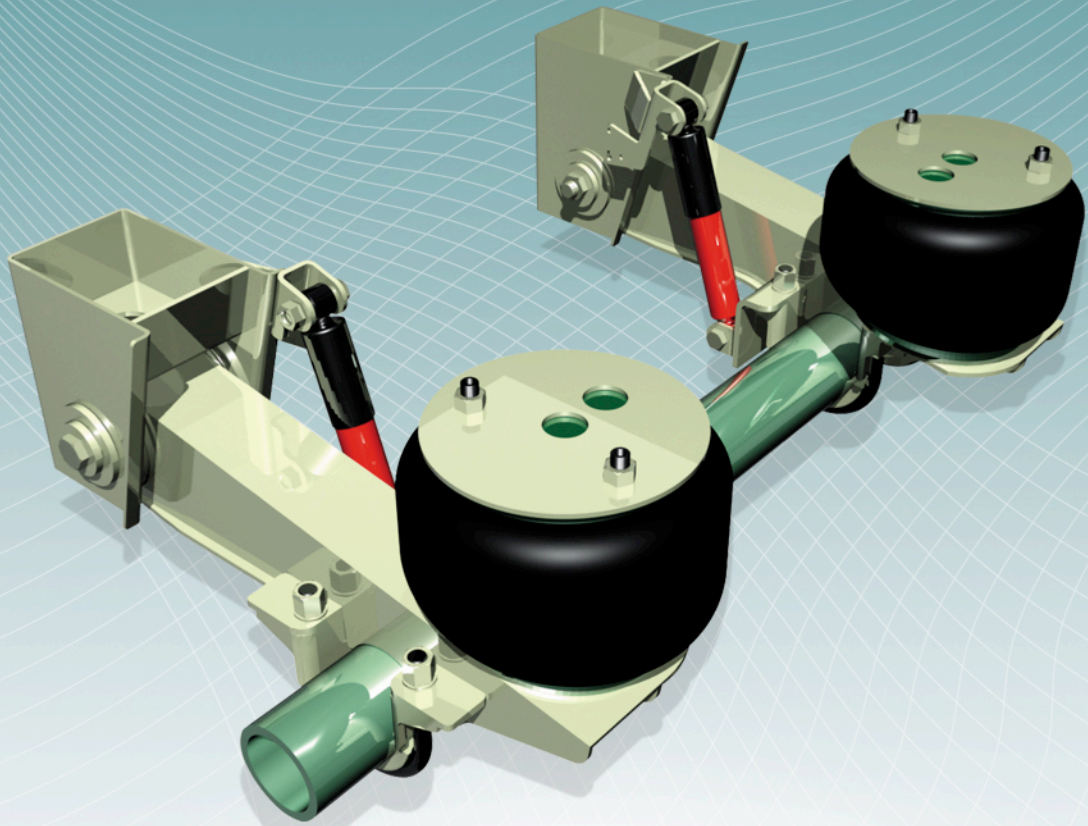


**TS TORSHIN Corporation**  
www.torshin.com

Tel. +82-32-876-7198~9 Fax. +82-32-876-7196  
305~306, E-dong, 765-16, Dohwa-dong, Nam-gu, Incheon, Korea



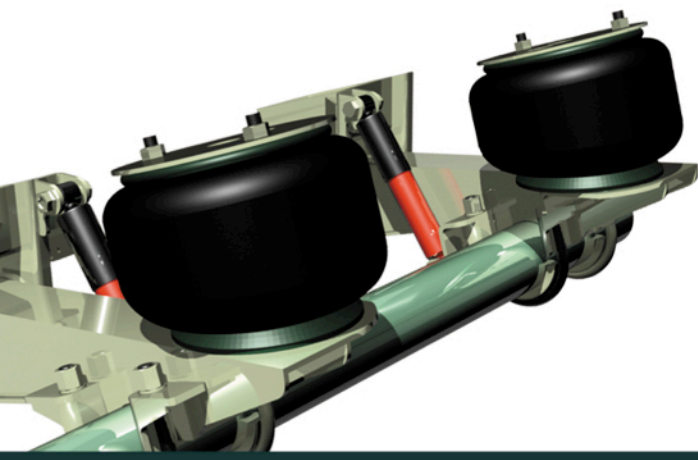
**KONI** SHOCK ABSORBERS  
**Gabriel**  
**GOODYEAR**



# TS-300 Series Trailer Air Suspension

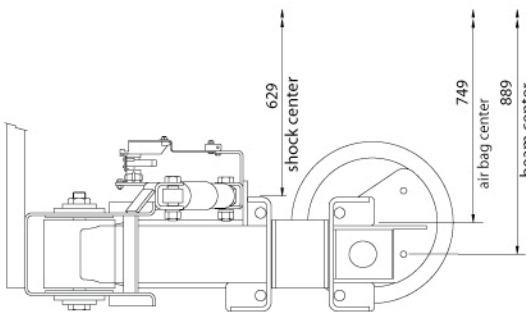
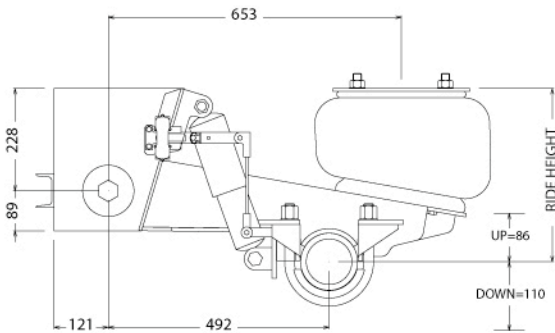
## TS-300 Series

- 5 year Warranty
- 30,000 lb. Capacity per Axle  
Standard Overslung
- Compact Design



**Torshin Corporation is** the industry leader in the design and manufacture of air suspension systems for trucks and trailers for original equipment manufacturers (OEMs) and related after sales markets.

# TRUCK & TRAILER AIR SUSPENSION



## TS-300 Series Trailer Air Suspension

### Features and Benefits

- Capacity: 13 Ton/axle
- Axle Travel: 196mm
- Ride Heights: 381 (15")mm
- Using High Strength Steel Beam
- Shock absorber: KONI, GABRIEL
- Easy Axle Alignment

### Application

- Dump Trailer (Frame Type)
- Flat Bed Trailer
- Bulk Cement Trailer
- Tank Trailer

\* Optional: various ride height available (ex: 15",17",19")



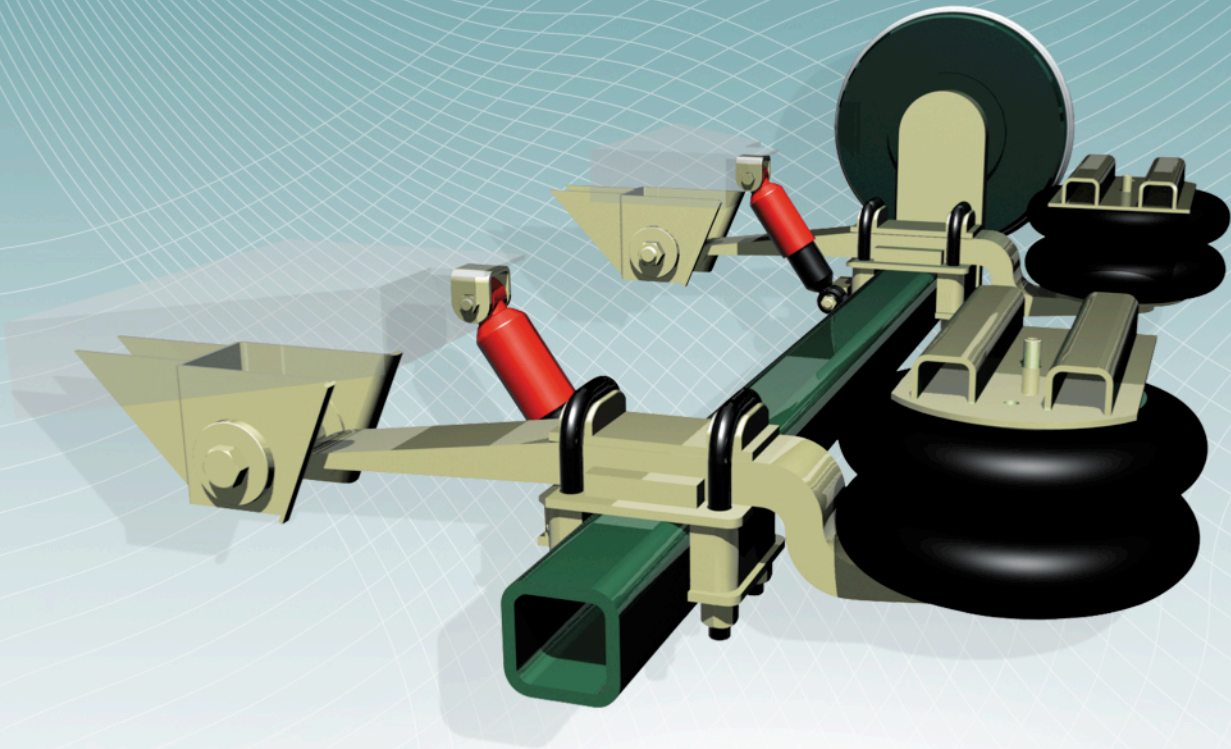
**TS TORSHIN Corporation**  
www.torshin.com

Tel. +82-32-876-7198~9 Fax. +82-32-876-7196  
305~306, E-dong, 765-16, Dohwa-dong, Nam-gu, Incheon, Korea



**KONI**  
SHOCK ABSORBERS  
**Gabriel**  
**GOODYEAR**

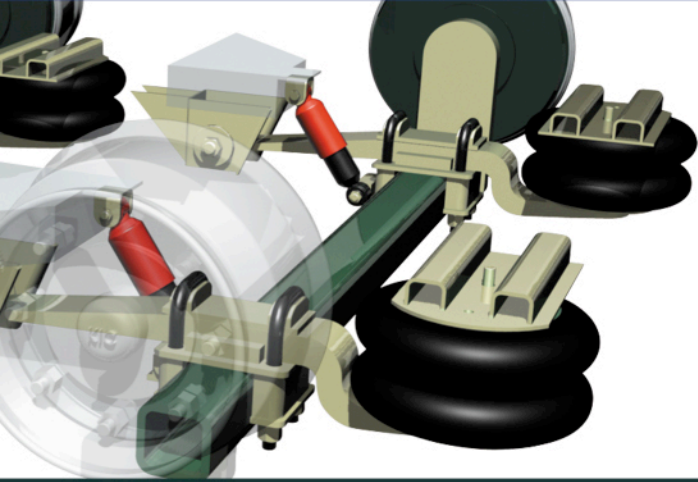




# TSC-165 Series Trailer Air Suspension

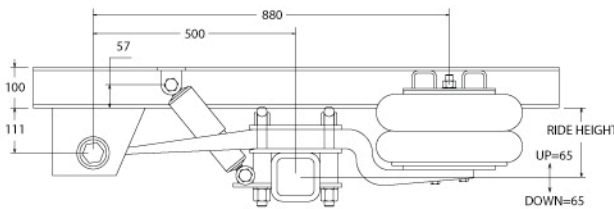
## TSC-165 Series

- 17,000lb. Capacity
- Design for Constant Drop Axle
- Parabolic Trailing Arm



**Torshin Corporation is** the industry leader in the design and manufacture of air suspension systems for trucks and trailers for original equipment manufacturers (OEMs) and related after sales markets.

# TRUCK & TRAILER AIR SUSPENSION

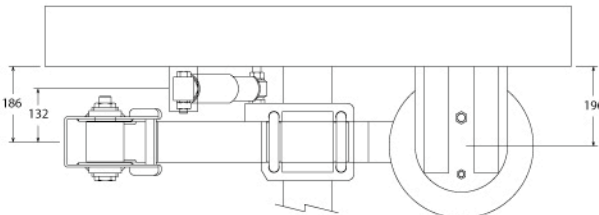


## TSC-165 Series Trailer Air Suspension

### Features and Benefits

- Capacity: 9 Ton/axle
- Axle Travel: 130mm
- Ride Heights: 170 (6.7")mm
- Heavy Duty Shock Absorbers (Gabriel)
- Easy Axle Alignment

\* Optional: Eccentric Alignment Available

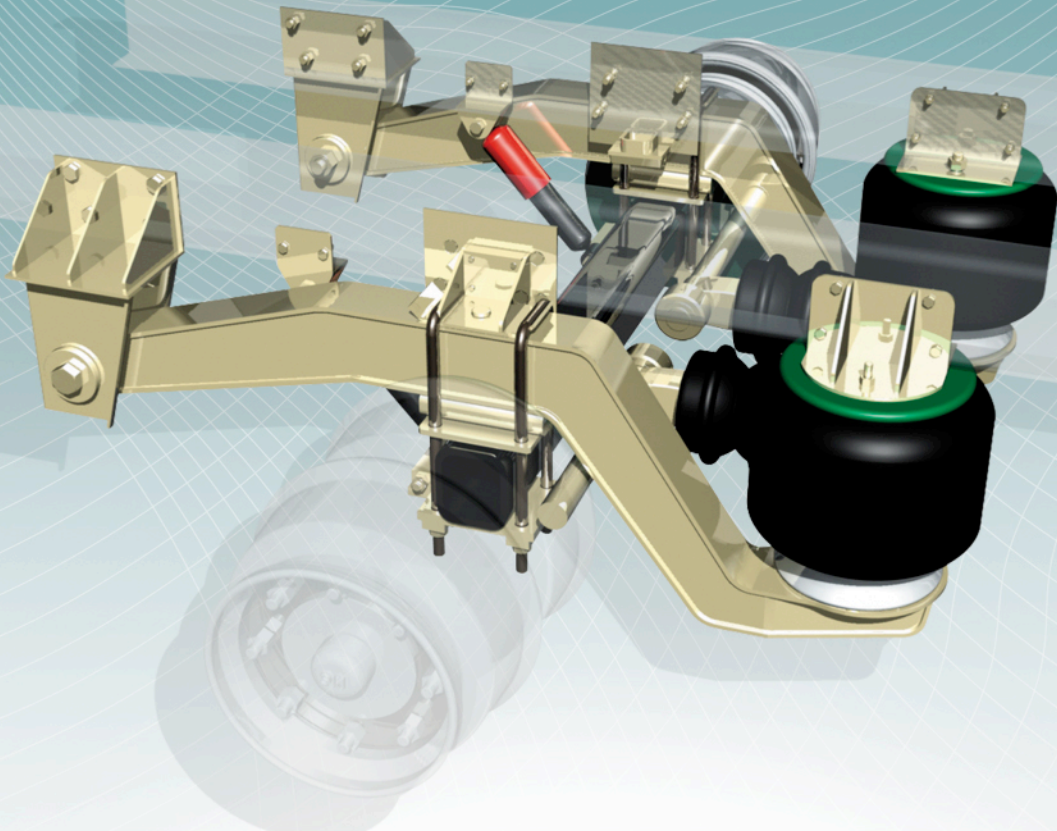


**TS TORSHIN Corporation**  
www.torshin.com

Tel. +82-32-876-7198~9 Fax. +82-32-876-7196  
305~306, E-dong, 765-16, Dohwa-dong, Nam-gu, Incheon, Korea



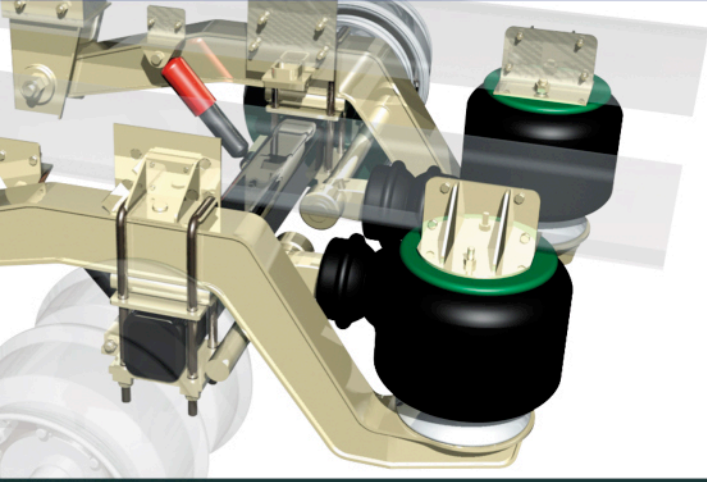
**KONI** SHOCK ABSORBERS  
**Gabriel**  
**GOODYEAR**



# TSCG-165C Series Truck Air Suspension

## TSCG-165C Series

- 16,500lb. Capacity
- Parallelogram Design
- Maintenance Free
- Fixing Axle by Torque Arm

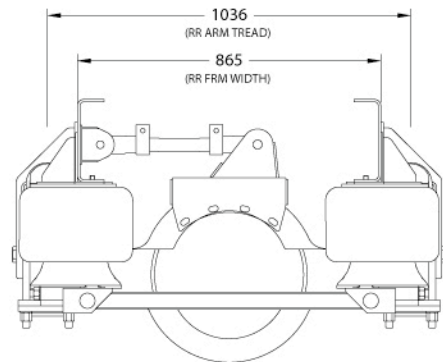
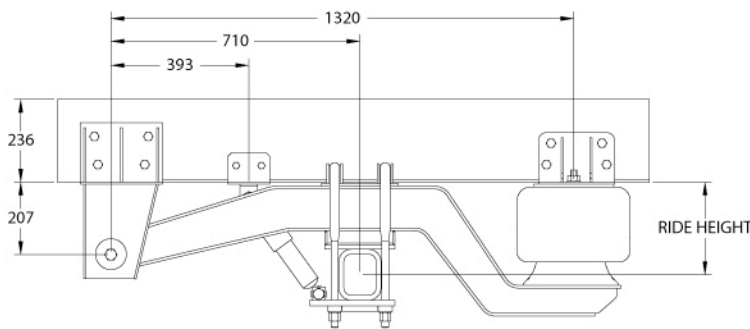


**Torshin Corporation is** the industry leader in the design and manufacture of air suspension systems for trucks and trailers for original equipment manufacturers (OEMs) and related after sales markets.

# TRUCK & TRAILER AIR SUSPENSION

## TSCG-165C Series

Truck Air Suspension



### Features and Benefits

- Capacity: 7.5 Ton/axle
- Axle Travel: 185mm
- Ride Heights: 259 (10.2")mm
- Using Rear Torsion Bar
- Adjustment Torque Arm

### Application

- China Cargo 5ton

\*Optional: • Front Axle apply to air spring  
• Eccentric Alignment Available

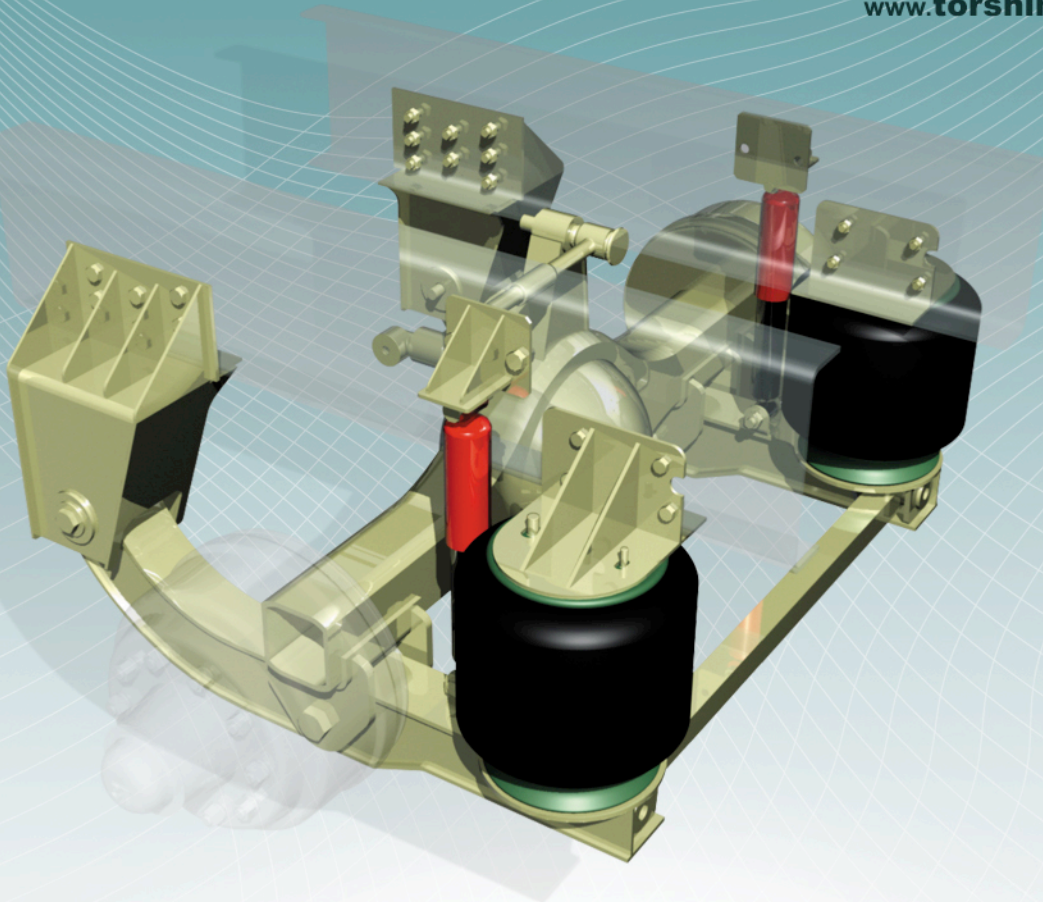


**TS TORSHIN Corporation**  
www.torshin.com

Tel. +82-32-876-7198~9 Fax. +82-32-876-7196  
305~306, E-dong, 765-16, Dohwa-dong, Nam-gu, Incheon, Korea



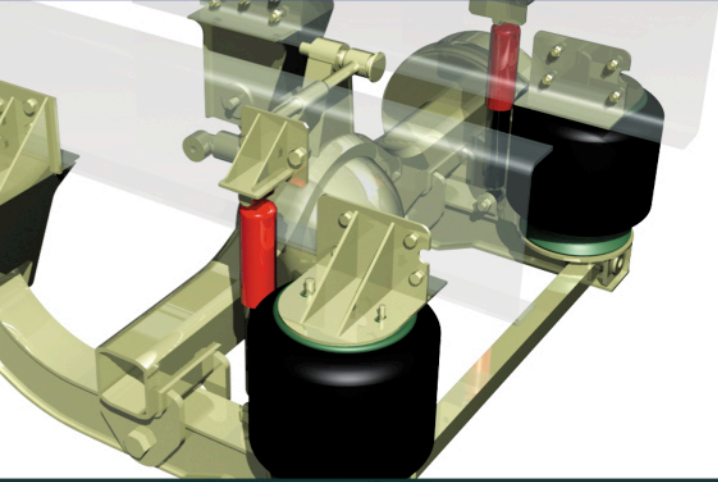
**KONI** SHOCK ABSORBERS  
**Gabriel**  
**GOODYEAR**



# TSCG-200 Series Truck Air Suspension

## TSCG-200 Series

- 18,000lb. Capacity
- Parallelogram Design for Constant Pinion Angle
- THRU-PIN Style Axleseat

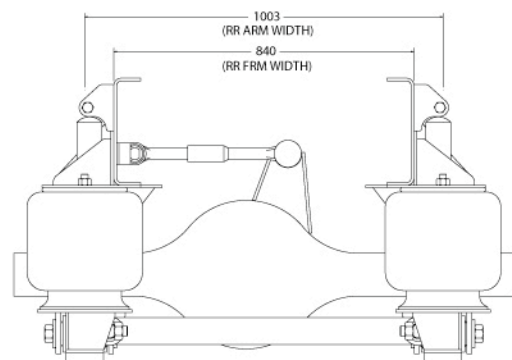
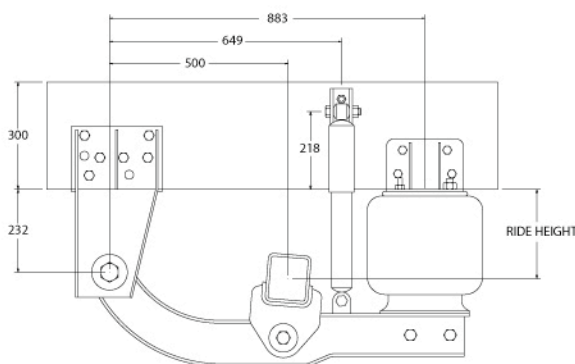


**Torshin Corporation is** the industry leader in the design and manufacture of air suspension systems for trucks and trailers for original equipment manufacturers (OEMs) and related after sales markets.

# TRUCK & TRAILER AIR SUSPENSION

## TSCG-200 Series

Truck Air Suspension



## Features and Benefits

- Capacity: 9 Ton/axle
- Axle Travel: 180mm
- Ride Heights: 250 (10")mm
- Heavy Duty Shock Absorbers (Gabriel)
- Using Rear Torsion Bar

## Application

- HYUNDAI Cargo 9.5ton

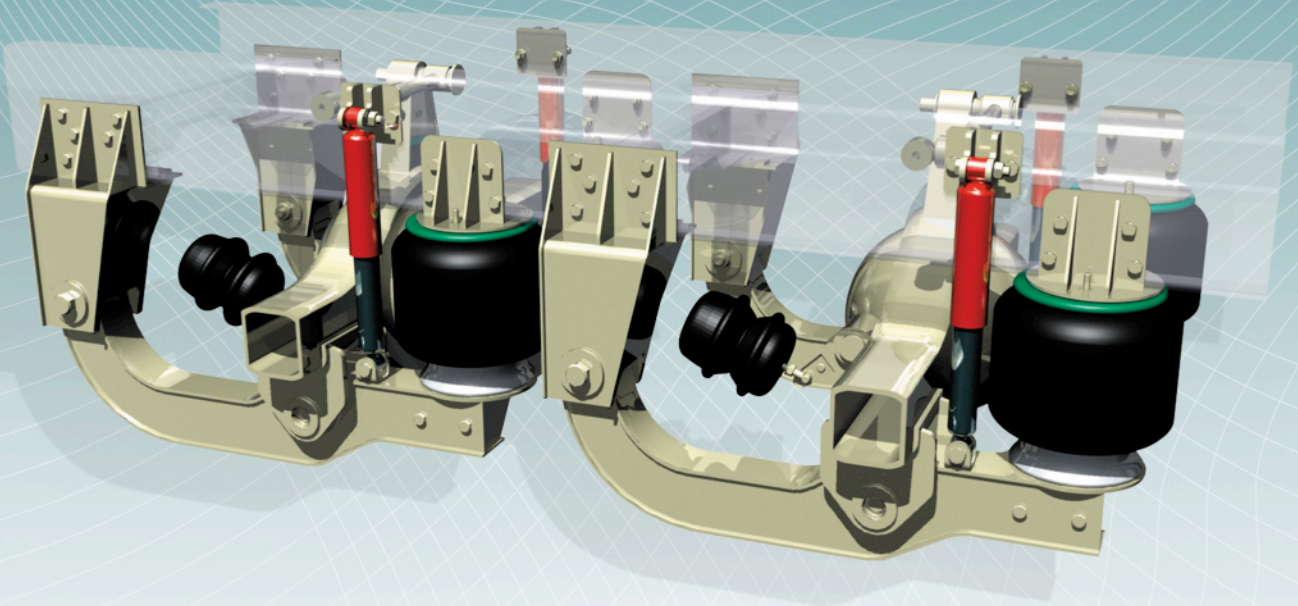


**TS** **TORSHIN**  
Corporation  
www.torshin.com

Tel. +82-32-876-7198~9 Fax. +82-32-876-7196  
305~306, E-dong, 765-16, Dohwa-dong, Nam-gu, Incheon, Korea



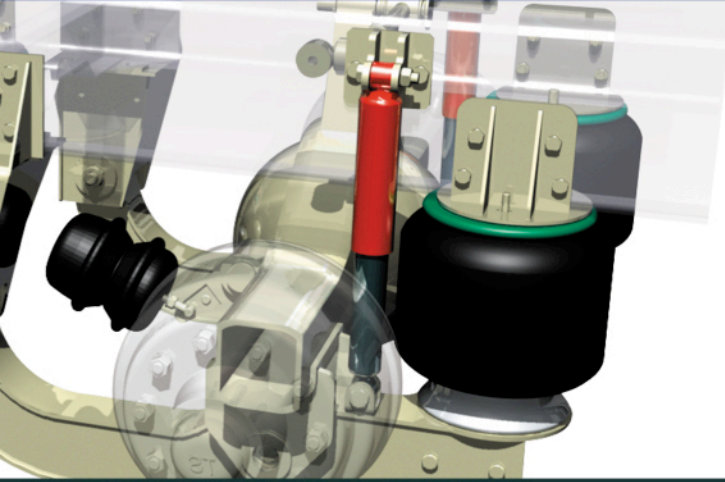
**KONI**   
SHOCK ABSORBERS  
**Gabriel**  
**GOODYEAR**



# TSCG-250 Series Truck Air Suspension

## TSCG-250 Series

- 23,000lb. Capacity
- Parallelogram Design for Constant Pinion Angle
- THRU-PIN Style Axleseat

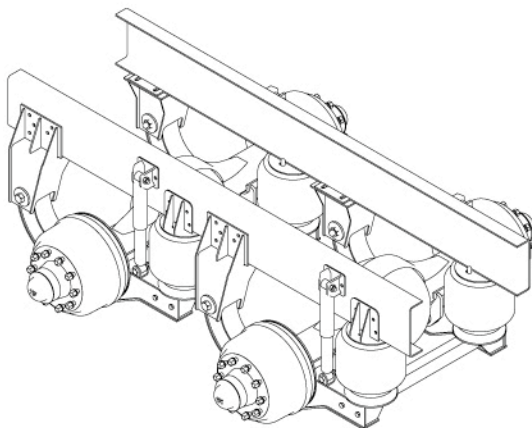
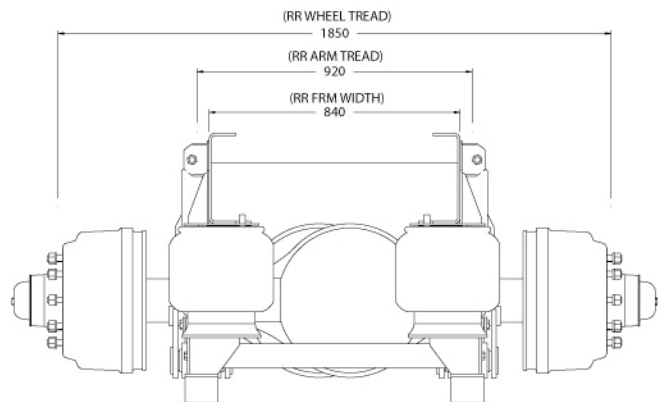
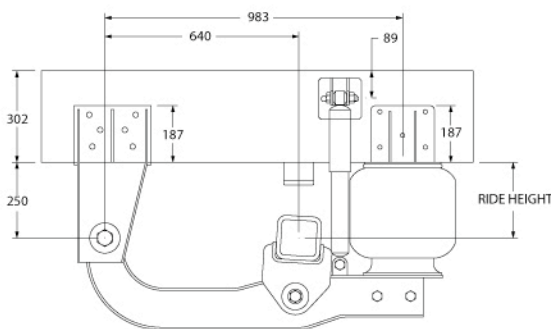


**Torshin Corporation is** the industry leader in the design and manufacture of air suspension systems for trucks and trailers for original equipment manufacturers (OEMs) and related after sales markets.

# TRUCK & TRAILER AIR SUSPENSION

## TSCG-250 Series

Truck Air Suspension



## Features and Benefits

- Capacity: 10 Ton/axle
- Axle Travel: 185mm
- Ride Heights: 367 (14.5")mm
- Heavy Duty Shock Absorbers (Gabriel)
- Using Rear Torsion Bar

## Application

- HYUNDAI Cargo 11.5ton
- \*Optional: Front Axle help spring available

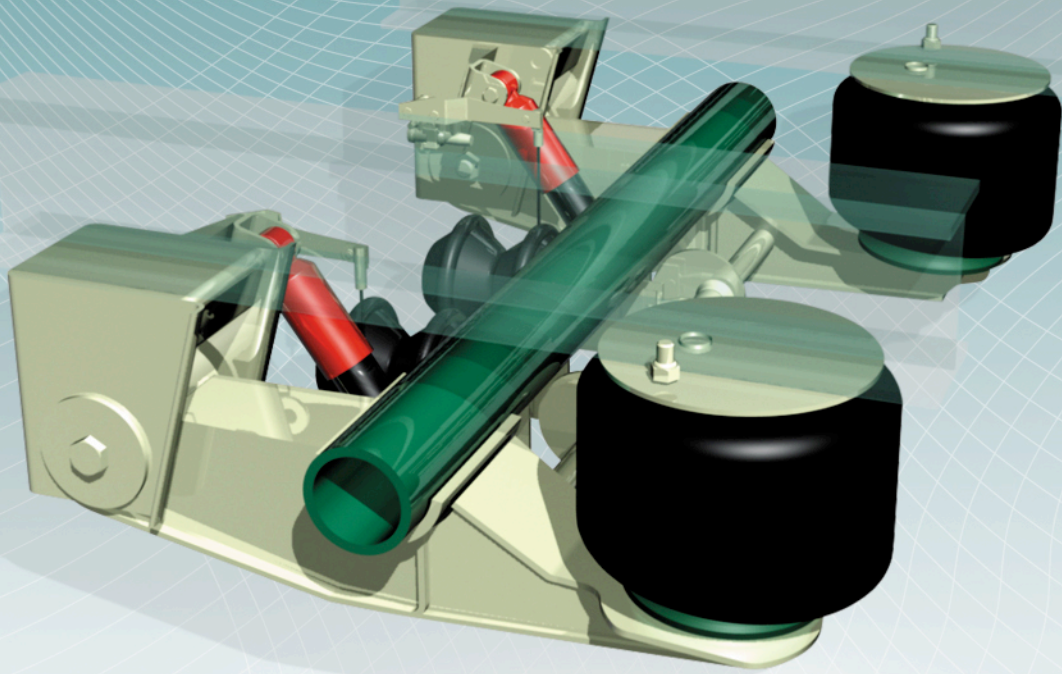
**TS TORSHIN Corporation**  
www.torshin.com

Tel. +82-32-876-7198~9 Fax. +82-32-876-7196  
305~306, E-dong, 765-16, Dohwa-dong, Nam-gu, Incheon, Korea



**KONI** SHOCK ABSORBERS  
**Gabriel**  
**GOODYEAR**

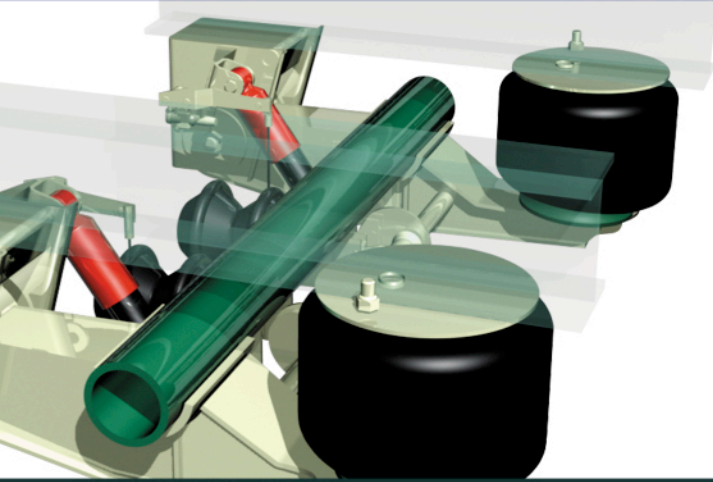




# TSU-300 Series Trailer Air Suspension

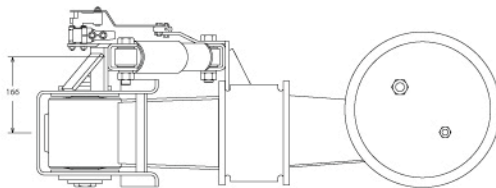
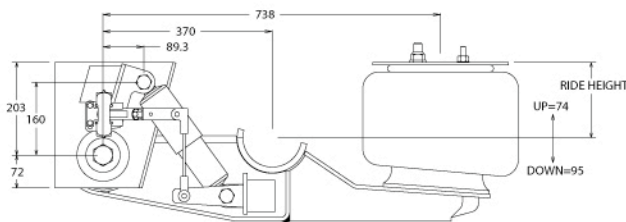
## TSU-300 Series

- 5 Year Warranty
- 30,000lb. Capacity per Axle
- Underslung Design
- Easy Alignment



**Torshin Corporation is** the industry leader in the design and manufacture of air suspension systems for trucks and trailers for original equipment manufacturers (OEMs) and related after sales markets.

# TRUCK & TRAILER AIR SUSPENSION



## TSU-300 Series Trailer Air Suspension

### Features and Benefits

- Capacity: 13 Ton/axle
- Axle Travel: about 170mm
- Ride Heights: 165 (6.5")mm
- Using High Strength Steel Beam
- Shock absorber: KONI, GABRIEL
- Compact Design

### Application

- Low Bed Trailer

\*Optional: Ride Heights Available (6.5"-12")

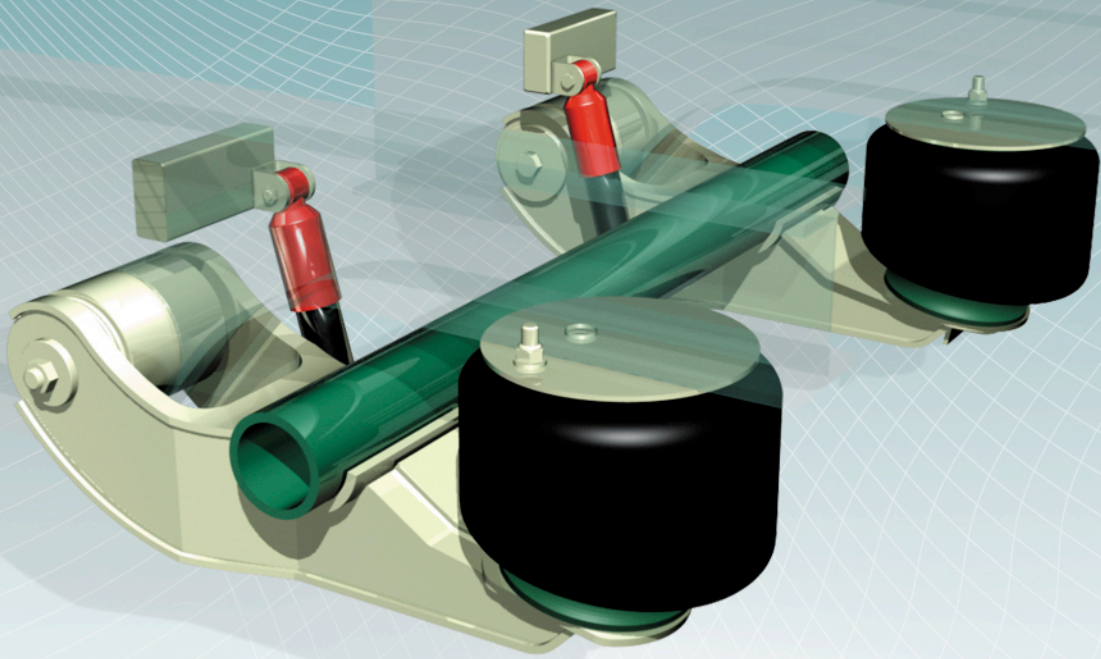


**TS TORSHIN Corporation**  
www.torshin.com

Tel. +82-32-876-7198~9 Fax. +82-32-876-7196  
305~306, E-dong, 765-16, Dohwa-dong, Nam-gu, Incheon, Korea



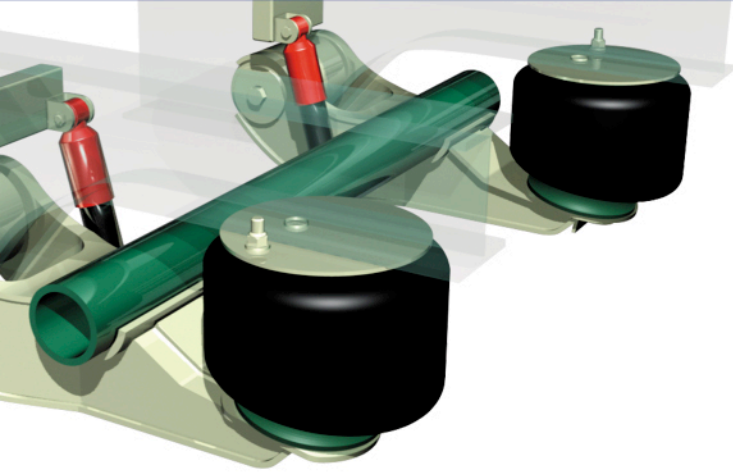
**KONI** SHOCK ABSORBERS  
**Gabriel**  
**GOODYEAR**



# TSY-300 Series Trailer Air Suspension

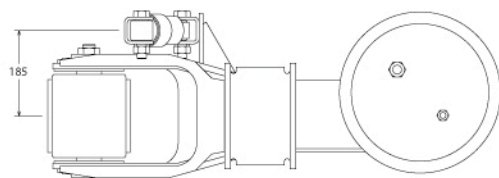
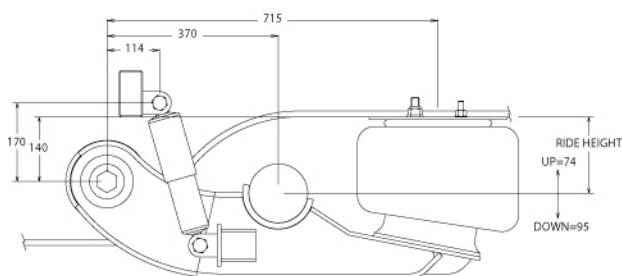
## TSY-300 Series

- 5 Year Warranty
- 30,000lb. Capacity per Axle
- Underslung Design
- Easy Alignment



**Torshin Corporation is** the industry leader in the design and manufacture of air suspension systems for trucks and trailers for original equipment manufacturers (OEMs) and related after sales markets.

# TRUCK & TRAILER AIR SUSPENSION



## TSY-300 Series Trailer Air Suspension

### Features and Benefits

- Capacity: 13 Ton/axle
- Axle Travel: about 170mm
- Ride Heights: 165 (6.5")mm
- Using High Strength Steel Beam
- Shock absorber: KONI, GABRIEL
- York-Mount Suspension

### Application

- Low Bed Trailer

\*Optional: Ride Heights Available (6.5"-12")



**TS TORSHIN Corporation**  
www.torshin.com

Tel. +82-32-876-7198~9 Fax. +82-32-876-7196  
305~306, E-dong, 765-16, Dohwa-dong, Nam-gu, Incheon, Korea



**KONI** SHOCK ABSORBERS  
**Gabriel**  
**GOODYEAR**