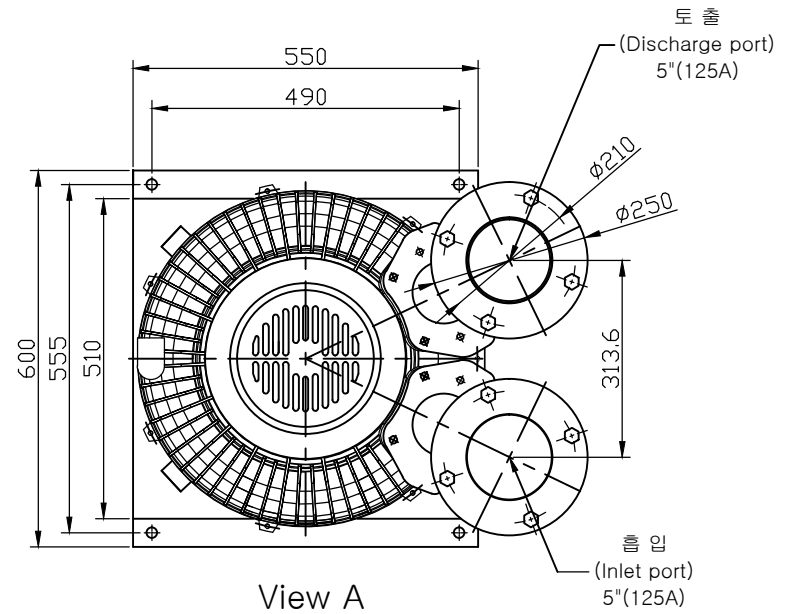
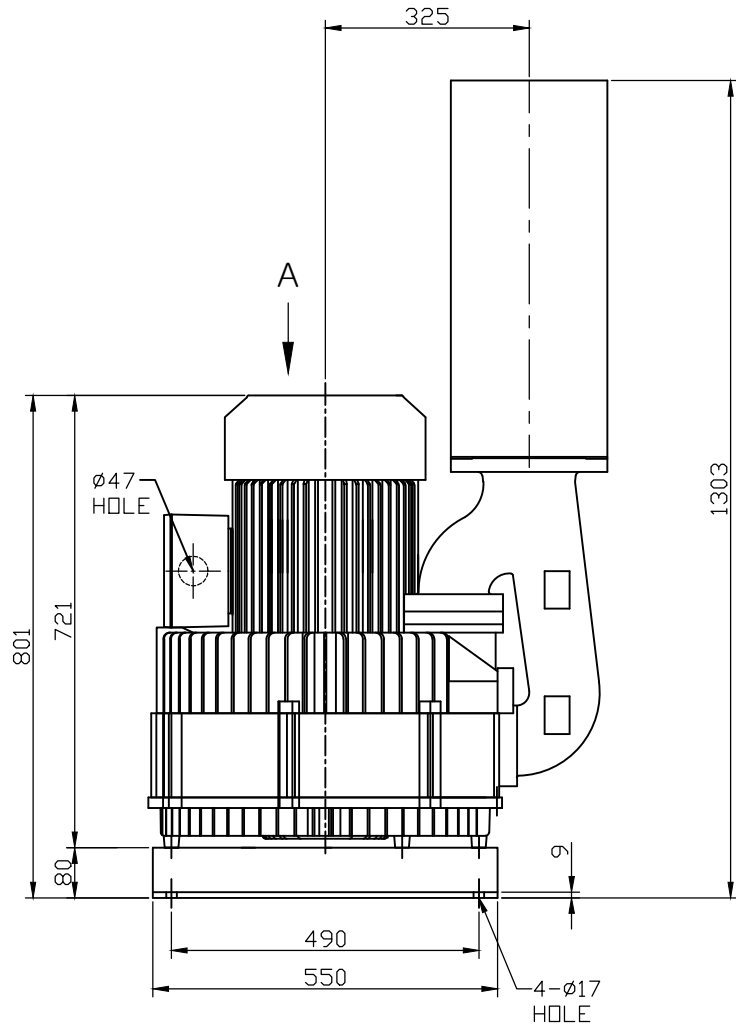



NOTE 1)



View A

△					00					
No.	Revision				Date	Draw	Check	Appr.		
형식 TYPE	HRBV-1603,1703				도명 TITLE	OUTWARD DWG.				
DRAWN	DESIGN	CHECKED	APPROVED	3RD ANGLE	SCALE:1/1	UNIT:mm				
B.S.Kim				SIZE	3ø 2P 22.7~30Kw					
09.06.25										
 黃海電機 HWANG HAE ELECTRIC					도번 DWG. No	BOD00038		△		