

● Features

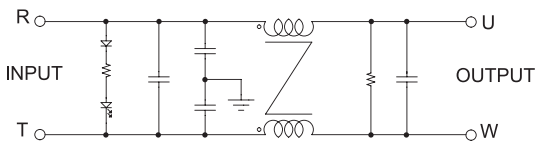
- 2 Mounting : Din Rail & Screw
- Wide Band : High Attenuation
- Band Width : 150KHz~30MHz
- Low Leakage
- Low Cost
- RoHS Compliant

● Specifications

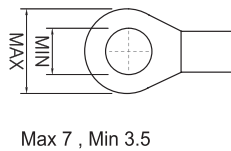
| ITEM | MODEL | SYMBOL | WYFS06TD | WYFS10TD | WYFS15TD | WYFS20TD |
|-----------------------|-------|--------|-------------------------------------------------|----------|----------|----------|
| Rated Voltage | V | | 250 | | | |
| Rated Current | A | | 6 | 10 | 15 | 20 |
| Frequency | Hz | | 50/60 | | | |
| Dielectric Withstand | V | | 1500 | | | |
| Insulation Resistance | MΩ | | 300 | | | |
| Leakage Current | mA | | 0,8 | | | |
| Operating Temperature | °C | | -25°C ~ +100°C [Refer to Derating Curve TYPE-1] | | | |
| Operating Humidity | RH | | 35~85%RH | | | |
| Weight | kg | | 0,1 | | | |

※ Derating Curve of page 103

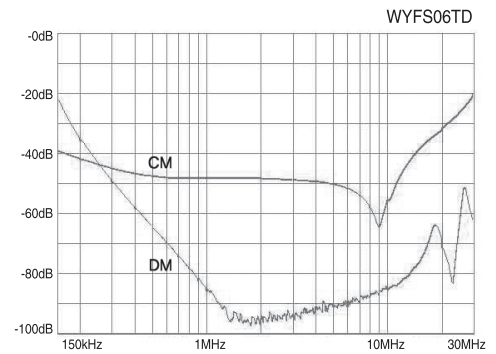
● Circuit Diagram



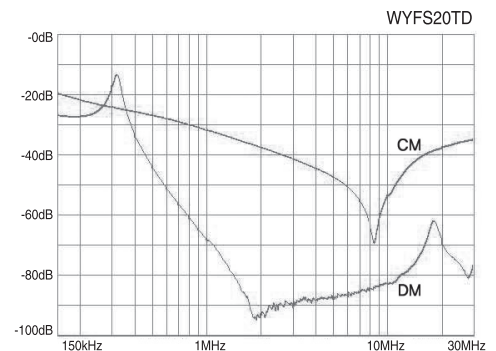
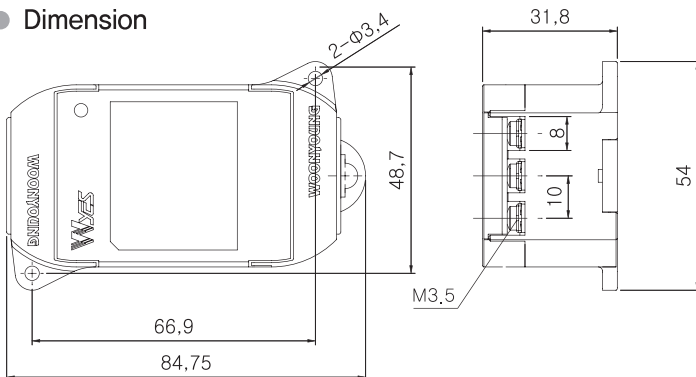
● Terminal



● Characteristics



● Dimension



DIN Rail Type

NSP Type

SP Type

2CH Type

3CH Type

BATTERY CH.

MULTI ST.

3P4W

HIGH QUAL.

GENERAL