

EARTHED TYPE (계기용변압기 / 접지형) VOLTAGE TRANSFORMER (EVT)

24(25.8)kV (0~200VA)

W24V1F



EPOXY RESIN CASTING VOLTAGE TRANSFORMERS for highest voltage of equipment up to 24kV

W24V1F 변압기는 최고회로전압 24kV급 절연성능으로 설계되어진 옥내용 에폭시몰드 제품 및 퓨즈내장형으로 안정적인 절연능력 및 전기적 특성을 갖으며, 기계적 안전성과 유지보수의 용이성이 우수한 제품이다. 또한 단일 또는 다중 탭을 갖는 제품으로 설계 가능합니다.

The W24V1F voltage transformer is an indoor epoxy resin cast product with fuses, designed in a maximum circuit voltage 24kV-class insulation performance, that has a stable insulation capacity and electrical property, has excellent mechanical safety, and is easy to maintain. In addition, this can be designed in products with single of multiple taps.

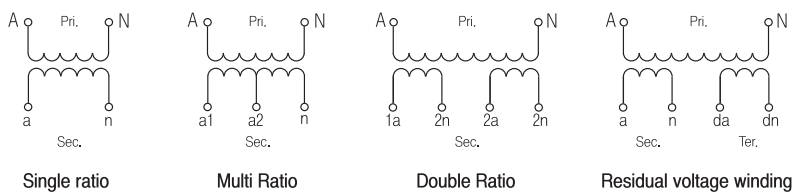
● Feature

규격 Standard	IEC - IEEE - KS etc.
설계 및 적용 Design and Application	계기 및 보호용 Designed for measuring and/or protection
사용조건 Service condition	옥내 Valid for indoor service
작업공정 Working process	- 자동진공주형방식 Automatic vacuum casting method - APG방식 Automatic Pressure Gelation method

● Electrical characteristic

ITEM	MODEL	W24V1F
Highest voltage for equipment (Um)		24(25.8)kV
Rated power-frequency withstand voltage (60sec)		50kV
Rated lighting Impulse withstand voltage (1.2/50μs)/full wave		125kV
Rated frequency		50Hz, 60Hz, others on request
Rated Primary Voltage		$22000/\sqrt{3}$ V, $22900/\sqrt{3}$ V
Rated Secondary Voltage		$110/\sqrt{3}$ V, $190/\sqrt{3}$ V
Rated Voltage factor		1.2Cont, 1.5/30s, 1.9/30s, 1.9/8h
Thermal Limit Burden		600VA
Insulation class (according to IEC 60085)		E
Standard		According to customer requirements
Temperature Category		According to customer requirements
Weight (approx.)		25kg

● Connection Diagram



EARTHED TYPE (계기용변압기 / 접지형) VOLTAGE TRANSFORMER (EVT)



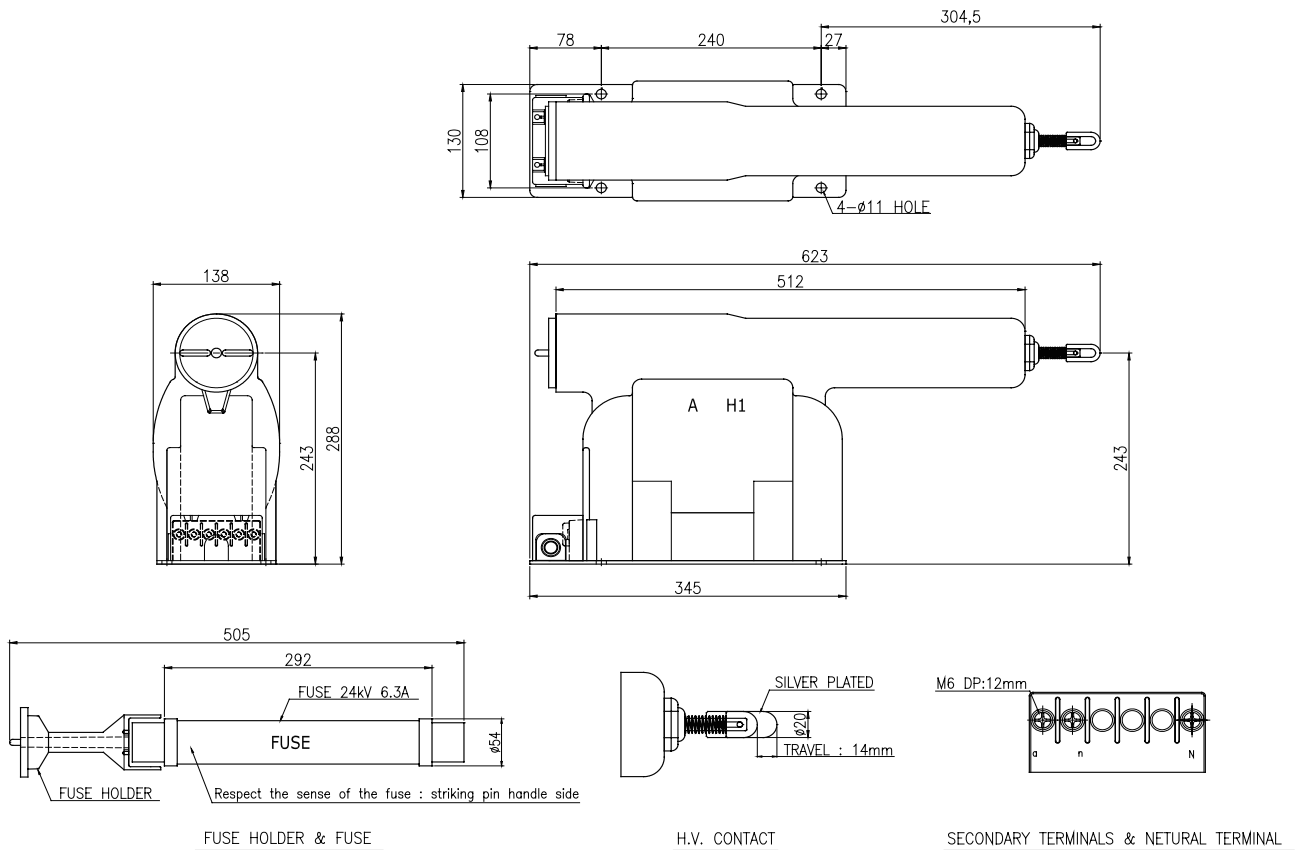
고압계기용변성기

24(25.8)kV (0~200VA)

● Specification

Highest voltage for equipment (Um)	Voltage Ratio (V)	IEC 61869-3			IEEE C57.13	
		Voltage Factor	Accuracy Class	Burden (VA)	Burden (VA)	Voltage Factor
24kV	$\frac{22900}{\sqrt{3}} / \frac{110}{\sqrt{3}} / (\frac{190}{3}) V$	1.2cont	0.5	50	-	-
			1.0	100		
		1.9/8h		200		

● Dimension



HV / C T
고압변류기

HV / VT : MO F
고압변압기

LV / C T
저압변류기

LV / VT
저압변압기

RE LA Y
보통계전기

E L D
누전경보기

G F R
지락계전기

Z C T
영상변류기

M E T E R
지시전기계기

S H U N T
선타