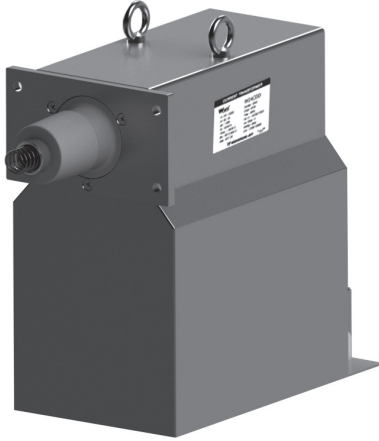


EARTHED TYPE (계기용변압기 / 접지형) VOLTAGE TRANSFORMER (EVT)

36kV (0~200VA)

W36V1A



EPOXY RESIN CASTING VOLTAGE TRANSFORMERS for highest voltage of equipment up to 36kV

W36V1A 변압기는 최고회로전압 36kV급 절연성능으로 설계되어진 옥내용 에폭시몰드 제품으로 그 이하 전압(24kV) 제품에 대해서는 동일한 치수(DIMENSION)를 가진다. 안정적인 절연능력 및 전기적 특성을 갖으며, 기계적 안전성과 유지보수의 용이성이 우수한 제품이다. 또한 단일 또는 다중 탭을 갖는 제품으로 설계 가능하다.

The W36V1A voltage transformer is an indoor epoxy resin cast product designed in a maximum circuit voltage 36kV-class insulation performance, and has the same dimensions for the less voltage(24kV) product. This has a stable insulation capacity and electrical property, has excellent mechanical safety, and is easy to maintain. It is also possible to design products with single or multiple taps.

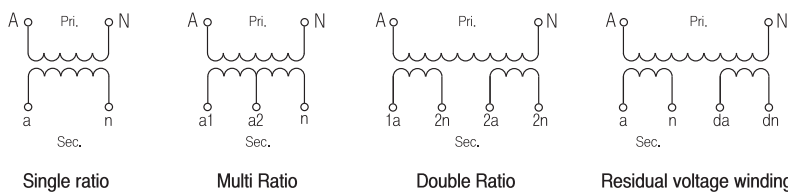
● Feature

규격 Standard	IEC - IEEE - KS etc.
설계 및 적용 Design and Application	- 계기 및 보호용 Designed for measuring and/ or protection - For GIS
사용조건 Service condition	옥내 Valid for indoor service
작업공정 Working process	- 자동진공주형방식 Automatic vacuum casting method

● Electrical characteristic

ITEM	MODEL	W36V1A
Highest voltage for equipment (Um)		36kV
Rated power-frequency withstand voltage (60sec)		90kV
Rated lighting impulse withstand voltage (1.2/50μs)full wave		170kV
Rated frequency		50Hz, 60Hz
Rated Primary Voltage		$33000/\sqrt{3}$ V
Rated Secondary Voltage		$110/\sqrt{3}$ V
Accuracy class		0.2 ~ 1.0
Rated Burden		5 ~ 200VA
Rated Voltage factor		1.2Cont, 1.5/30s, 1.9/30s, 1.9/8h
Thermal Limit Burden		800VA
Insulation class (according to IEC 60085)		E
Standard		According to customer requirements
Weight (approx.)		45kg

● Connection Diagram



EARTHED TYPE (계기용변압기 / 접지형) VOLTAGE TRANSFORMER (EVT)



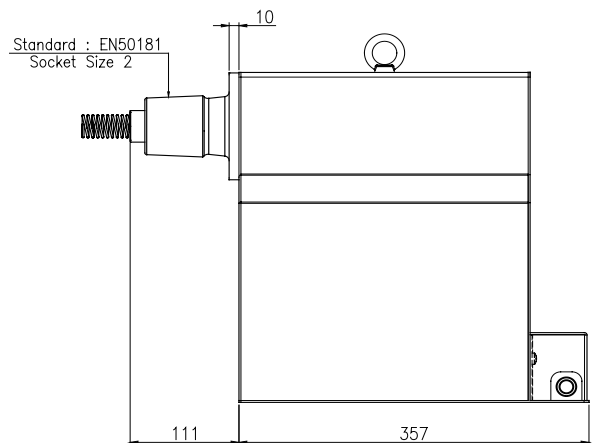
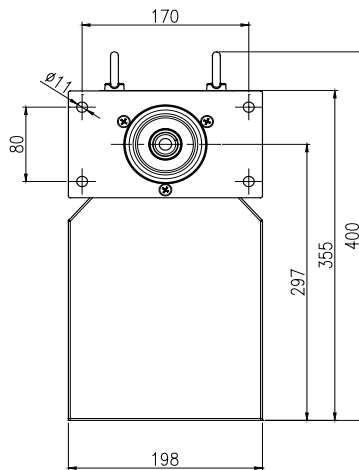
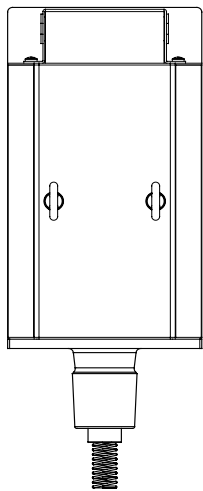
고압계기용변성기

36kV (0~200VA)

● Specification

ITEM	Highest voltage for equipment (Um)	Voltage Ratio (V)	IEC 61869-3			IEEE C57.13	
			Accuracy Class	Burden (VA)	Voltage Factor	Accuracy Class	Burden (VA)
Single Ratio VT	36kV	$\frac{33000}{\sqrt{3}} / \frac{110}{\sqrt{3}} \left(\frac{190}{\sqrt{3}} \right) V$	0.2	30	1.2Con't 1.5/30s	0.3	W
			0.5	100			
			1.0	200			
			0.2	30	1.2Con't 1.9/8h	1.2	Y
			0.5	100			
			1.0	200			
Double Ratio VT	36kV	$\frac{33000}{\sqrt{3}} / \frac{110}{\sqrt{3}} \left(\frac{190}{\sqrt{3}} \right) V$	0.2/3P	30/200	1.2Con't 1.5/30s		
			0.5/3P	50/200			
			1.0/3P	100/200			
			0.2/3P	30/200	1.2Con't 1.9/8h		
			0.5/3P	50/200			
			1.0/3P	100/200			

● Dimension



HV / C T
고압변류기

HV / VT : MO F
고압변압기

LV / C T
저압변류기

LV / VT
저압변압기

RE L A Y
보통계전기

E L D
누전경보기

G F R
지락계전기

Z C T
영상변류기

M E T E R
지시전기계기

S H U N T
선택