

# BUSHING TYPE (B.C.T) CURRENT TRANSFORMER

0.72kV (200~2000A / 25kA)

## W01CBA / W01CBB / W01CBC

## EPOXY RESIN CURRENT TRANSFORMERS



### ● Feature

- 규격(Standard) : IEC - IEEE
- 설계 및 적용(Design and Application)
  - 계기 및 보호용(Designed for measuring and protection)
- 사용조건(Service condition) : 옥내(Valid for indoor service)
- FREQUENCY : 50/60Hz
- INSULATION CLASS : 0.72kV
- INSULATION : Epoxy Mold

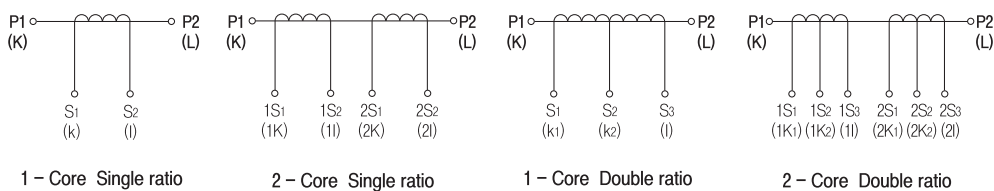
### ● Standard Specification

MODEL	Highest voltage for equipment (kV)	Rated Current	Class	Rated short-time thermal current
W01CBA	0.72kV	200~2000/5A	1.2(12.5VA)	25kA/1sec
W01CBB	0.72kV	600~2000/5A	C-200	25kA/1sec
W01CBC	0.72kV	500~2000/5A	C-200	25kA/3sec

### ● Specification

변류비	계전기용 Relay Class	계기용(Metering Class)Class				
		B-0.1	B-0.2	B-0.5	B-0.9	B-1.8
30/5A	C-10	-	-	-	-	-
40/5A	C-10	-	-	-	-	-
50/5A	C-20	-	-	-	-	-
60/5A	C-20	1.2	-	-	-	-
75/5A	C-20	1.2	1.2	-	-	-
100/5A	C-20	1.2	1.2	1.2	-	-
120/5A	C-50	0.6	0.	1.2	1.2	-
150/5A	C-50	0.6	0.6	1.2	1.2	1.2
200/5A	C-50	0.3	0.6	0.6	1.2	1.2
250/5A	C-100	0.3	0.3	0.6	1.2	1.2
300/5A	C-100	0.3	0.3	0.6	0.6	1.2
400/5A	C-100	0.3	0.3	0.3	0.6	0.6
500/5A	C-200	0.3	0.3	0.3	0.6	0.6
600/5A	C-200	0.3	0.3	0.3	0.3	0.3
750/5A	C-200	0.3	0.3	0.3	0.3	0.3
1000/5A	C-400	0.3	0.3	0.3	0.3	0.3
1500/5A	C-400	0.3	0.3	0.3	0.3	0.3
2000/5A	C-400	0.3	0.3	0.3	0.3	0.3

### ● Connection Diagram



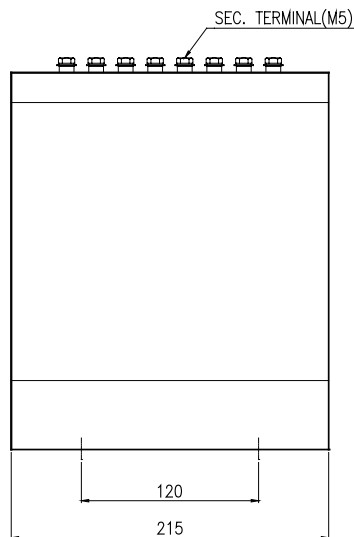
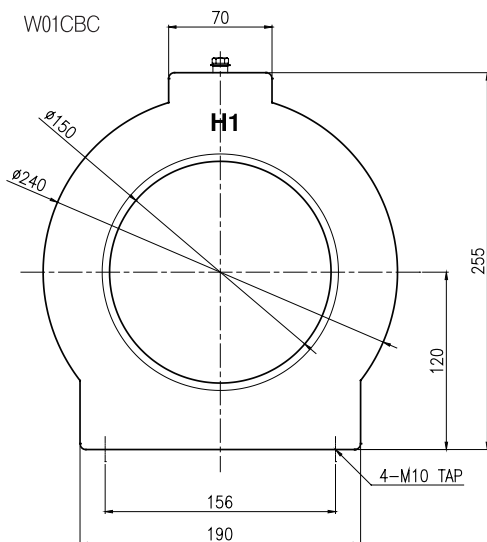
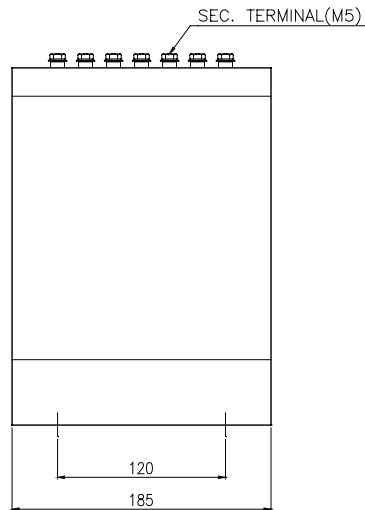
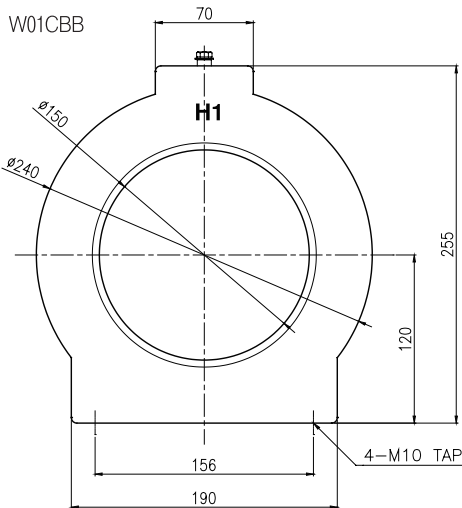
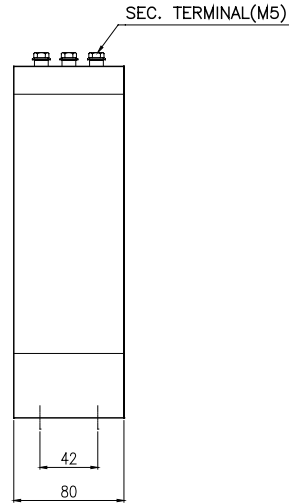
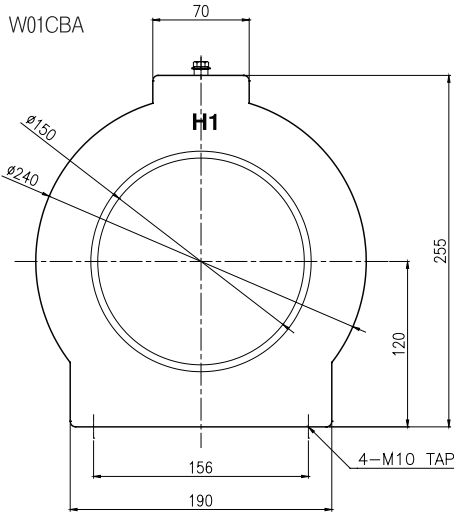
# BUSHING TYPE (B.C.T) CURRENT TRANSFORMER



고압계기용변성기

0.72kV (200~2000A / 25kA)

## ● Dimension



H  
V  
/  
C  
T  
고압변류기

H  
V  
/  
V  
T  
·  
M  
O  
F  
고압변압기

L  
V  
/  
C  
T  
저압변류기

L  
V  
/  
V  
T  
저압변압기

R  
E  
L  
A  
Y  
보통계전기

E  
L  
D  
누전경보기

G  
F  
R  
지락계전기

Z  
C  
T  
영상변류기

M  
E  
T  
E  
R  
지시전기계기

S  
H  
U  
N  
T  
선타