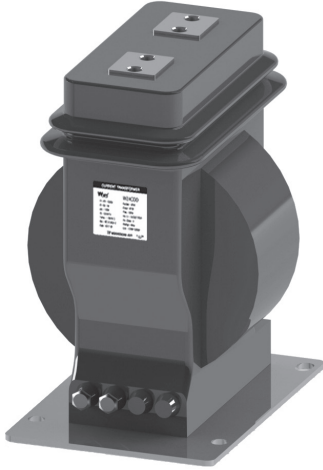


# WINDING TYPE (권선형) CURRENT TRANSFORMER

12~24kV (5~600A / 40In~31.5kA)

## W24CWS



### EPOXY RESIN CASTING CURRENT TRANSFORMERS for highest voltage of equipment up to 24kV

W24CWS 변류기는 최고 회로전압 24kV급 절연성능으로 설계되어진 옥내용 에폭시몰드 제품으로 그 이하 전압(12, 17.5kV) 제품에 대해서는 동일한 치수(DIMENSION)를 가진다. 본 제품은 소형경량의 Compact한 변류기 구조를 가짐으로서, 설치공간이 협소한 표준배전반에 매우 적합한 제품이다. 또한 1Core, 2Core 단일 비 또는 다중 비 형태의 제품으로 설계 및 제작이 가능하다.

The W24CWS current transformer is an indoor epoxy resin cast product designed in a maximum circuit voltage 24kV-class insulation performance, and the less voltage(12, 17.5kV) product has the same dimensions. This product has a miniature light-weight compact structure to be very suitable for standard switchboards installed in a narrow space. In addition, this can be designed and fabricated in a single or multiple ratio type such as 1 core and 2 cores.

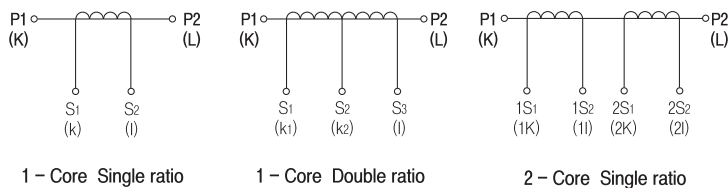
#### ● Feature

규격 Standard	IEC - KS C - JEC
설계 및 적용 Design and Application	계기 및 보호용 Designed for measuring and/or protection
사용조건 Service condition	옥내 Valid for indoor service
작업공정 Working process	- 자동진공주형방식 Automatic vacuum casting method - APG방식 Automatic Pressure Gelation method

#### ● Electrical characteristic

ITEM	MODEL		
	W24CWS		
Highest voltage for equipment (Um)	12kV	17.5kV	24kV
Rated power-frequency withstand voltage (60sec)	28kV	38kV	50kV
Rated lighting Impulse withstand voltage (1.2/50μs)/full wave	75kV	95kV	125kV
Rated frequency	50 / 60Hz		
Rated primary current(Ipr)	5 to 600A		
Rated secondary current(Isr)	5 or 1A		
Rated continuous thermal current	120%		
Rated short-time thermal current Ith (1sec)	40In~31.5kA		
Rated dynamic current Idyn (2.5×Ith)	78.75kA		
Insulation class (according to 60085)	E		
Standard	According to customer requirements		
Weight (approx.)			

#### ● Connection Diagram



# WINDING TYPE (권선형) CURRENT TRANSFORMER



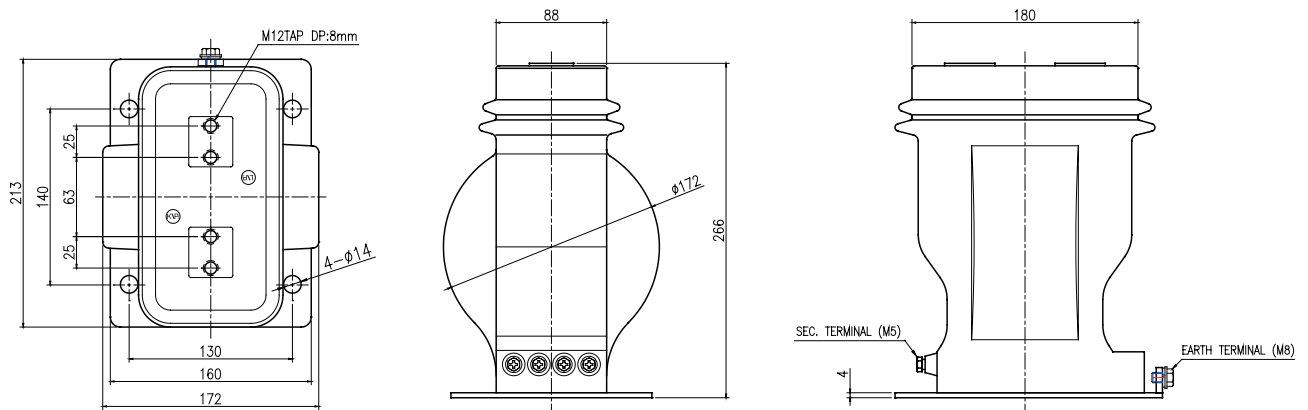
고압계기용변성기

12~24kV (5~600A / 40In~31.5kA)

## ● Specification

ITEM	Rated short time current	Current Ratio	IEC 61869-2			KSC 1706		IEEE C57.13		
			Class	Burden	Over Current Factor	Class	Burden	Class	Burden	Over Current Factor
Metering	8kA	20/5A~600/5A	1.0	15VA	FS5	1.0	15VA	-	-	-
	12.5kA	30/5A~600/5A								
	25kA	50/5A~600/5A								
	31.5kA	75/5A~600/5A								
	150In	5/5A~600/5A	0.5 1.0	15VA 30VA	FS10	0.5 1.0	15VA 40VA	-	-	-
	8kA	25/5A~600/5A								
	12.5kA	40/5A~600/5A								
	25kA	75/5A~600/5A								
31.5kA	100/5A~600/5A	5P 10P	15VA	10	-	-	1P	15VA	n>10	
150In	5/5A~600/5A									
8kA	20/5A~600/5A									
12.5kA	25/5A~600/5A									
25kA	50/5A~600/5A	5P 10P	30VA	10	-	-	1P	40VA	n>10	
31.5kA	75/5A~600/5A									
75In	5/5A~600/5A									
8kA	50/5A~600/5A									
12.5kA	75/5A~600/5A	5P 10P	15VA	20	-	-	1P	15VA	n>20	
25kA	150/5A~600/5A									
31.5kA	200/5A~600/5A									
40In	5/5A~600/5A									
8kA	100/5A~600/5A	5P 10P	300/5A~600/5A	200/5A~600/5A	-	-	1P	15VA	n>20	
12.5kA	150/5A~600/5A									
25kA	300/5A~600/5A									
31.5kA	200/5A~600/5A									

## ● Dimension



H  
V  
/  
C  
T  
고압변류기

H  
V  
/  
V  
T  
·  
M  
O  
F  
고압변압기

L  
V  
/  
C  
T  
저압변류기

L  
V  
/  
V  
T  
저압변압기

R  
E  
L  
A  
Y  
보통계전기

E  
L  
D  
누전경보기

G  
F  
R  
지락계전기

Z  
C  
T  
영상변류기

M  
E  
T  
E  
R  
지시전기계기

S  
H  
U  
N  
T  
셔트