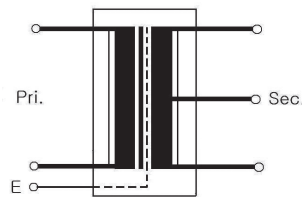




단상 복권형으로 입력 전압 AC 110V/220V 출력은 전압 전류별로 규격화 하여 소비자의 선택이 용이하게 되었으며, AC입력전원 인가시 LED가 동작되어 안전성은 물론이고 15V 시리즈부터~26V 시리즈까지 전규격 CE인증을 획득하여 신뢰성까지 확보한 제품입니다.

Input voltage of this transformer are 110/220 V as single phase isolation transformer and output is standardized by voltage and current. also, turn on LED lamp at apply input voltage for safe handling and all models acquire CE standard from 15V series to 26V series for define to reliability.

• Circuit Diagram



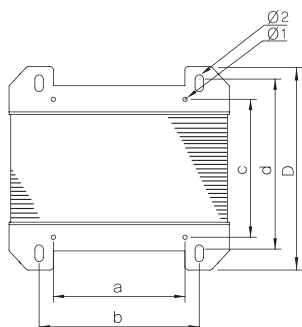
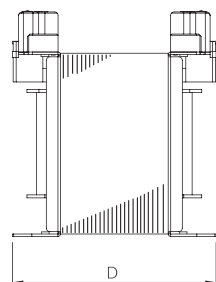
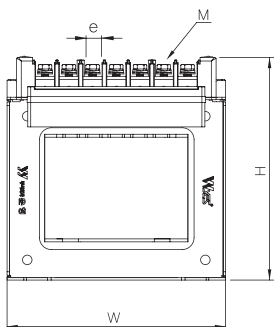
● Specifications

MODEL NO.	TYPE	SPECIFICATIONS		VA	A	DIMENSIONS (mm)											WEIGHT (kg)
		PRI.(V)	SEC.(V)			W	H	D	a	b	c	d	e	(a,c)Ø1	Ø2	M	
• 15V SERIES																	
WYTB-1540AP	WT	0-110-220-240-(E)	0-12-15	40	2.5	79	89	83	42	57	48.5	63	7	Ø3.6	5 X12	M3.5	1.31
WYTB-1560AP				60	4	79	89	88	42	57	53.5	68	7	Ø3.6	5 X12	M3.5	1.65
WYTB-1580AP				80	5	89	98	105	46	65	62	83	7	Ø3.6	5 X12	M3.5	2.30
WYTB-15100AP				100	7	98	106	105	54	72	61	88	7	Ø3.6	6 X12	M3.5	2.59
WYTB-15150AP				150	10	98	106	113	54	72	68	94	7	Ø3.6	6 X12	M3.5	3.23
WYTB-15200AP				200	13	112	114	110	58	76	65.5	88	10	Ø3.6	5 X10	M4	3.60
WYTB-15300AP				300	20	121	122	114	66	84	73	95	10	Ø3.6	5 X10	M4	4.97
• 26V SERIES																	
WYTB-2640AP	WT	0-110-220-240-(E)	0-12-18-22-24-26	40	1.5	79	89	83	42	57	48.5	63	7	Ø3.6	5 X12	M3.5	1.31
WYTB-2660AP				60	2	79	89	88	42	57	53.5	68	7	Ø3.6	5 X12	M3.5	1.65
WYTB-2680AP				80	3	89	98	105	46	65	62	83	7	Ø3.6	5 X12	M3.5	2.30
WYTB-26100AP				100	4	98	106	105	54	72	61	88	7	Ø3.6	6 X12	M3.5	2.59
WYTB-26150AP				150	6	98	106	113	54	72	68	94	7	Ø3.6	6 X12	M3.5	3.23
WYTB-26200AP				200	8	112	114	110	58	76	65.5	88	10	Ø3.6	5 X10	M4	3.60
WYTB-26300AP				300	11	121	122	114	66	84	73	95	10	Ø3.6	5 X10	M4	4.97
WYTB-26500AP			500	20	140	140	126	82	98	79.5	105	10	Ø3.6	6 X12	M4	7.10	
WYTB-26750AP			750	30	160	162	146	96	114	92.5	125	10	Ø3.6	6 X13	M4	10.70	
WYTB-261KAP			1K	40	160	160	157	96	114	102.5	135	10	Ø3.6	6 X14	M4	12.30	
WYTB-261.5KAP			1.5K	60	185	188	151	110	134	95	123	16	Ø3.6	7 X14	M6	17.00	
WYTB-262KAP			2K	80	185	188	171	110	134	115	143	16	Ø3.6	7 X13	M6	20.10	

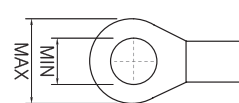
※ 정격용량 : 최대전압(TAP)에서의 용량임. ※ Rated capacity : Capacity at the maximum voltage(TAP).

● Dimension

• WT Type



● Terminal



40VA~100VA : Max 6, Min 3.5
150VA~1kVA : Max 9, Min 4
1.5~2kVA : Max 15, Min 6

노이즈컷트랜스

리액터 REACTOR

트랜스포머 TRANSFORMER

수용형필터 AHPF

수용형필터 PHF

마이크로서지필터 MSF

사인웨이브필터 SWF

영상고조파필터 ZHPF