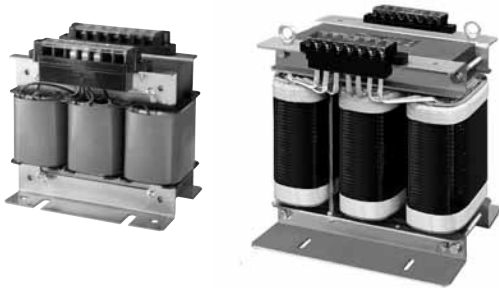


WY3P-AU Series (삼상단권)

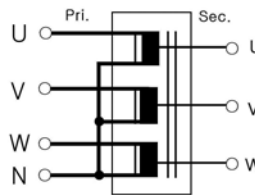
RoHS

삼상 단권형으로 입력 AC 380V, 440V 출력 AC 220V로 복권형에 비해 1, 2차 구분없이 1개의 권선에서 Tap을 인출한 방식으로 결선은 Y 결선으로 되어있으며 단자대(Terminal Block)등으로 제작 되었습니다.

This transformer inputs is AC 380V, 440V and output is AC220V as three phase auto transformer Y connection system. it became tapped input and output from same single winding. it has terminal block for easy wiring work.



• Circuit Diagram



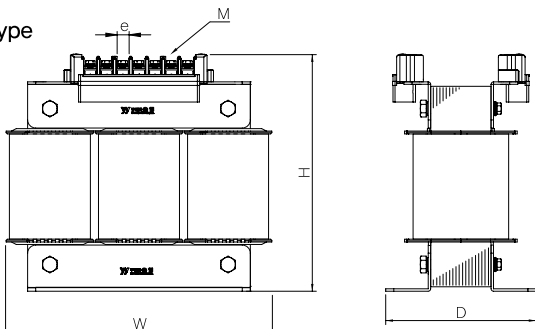
Specifications

MODEL NO.	TYPE	SPECIFICATIONS		VA	DIMENSIONS (m/m)											WEIGHT (kg)
		PRI.(V)	SEC.(V)		W	H	D	a	b	c	d	e	(a,c) Ø1	Ø2	M	
*3P380V · 440V Line → 220V Line Single winding Series(단권형)																
WY3P-200AU	W3PT	N- 220-380-440		200	135	132	86	-	102	-	65	10	Ø5,5	5,5 X 10	4	2,60
WY3P-300AU				300	140	130	100	-	104	-	66	10	Ø4,3	5,5 X 10	4	5,76
WY3P-500AU				500	140	130	105	-	104	-	66	10	Ø4,3	5,5 X 10	4	7,20
WY3P-1KAU				1K	190	180	105	-	130	-	90	10	Ø4,3	5 X 15	4	8,00
WY3P-2KAU				2K	195	180	126	-	130	-	99	10	Ø4,3	5 X 15	4	13,00
WY3P-3KAU				3K	240	210	145	-	120	-	115	10	Ø9,3	10 X 30	4	19,20
WY3P-5KAU				5K	275	250	175	-	120	-	130	10	-	10 X 20	4	32,00
WY3P-7,5KAU				7,5K	275	250	175	-	120	-	130	10	-	10 X 20	4	36,00
WY3P-10KAU				10K	330	290	190	-	180	-	160	10	-	10 X 20	4	46,00
WY3P-15KAU				15K	330	290	215	-	180	-	185	10	-	10 X 20	4	59,00
WY3P-20KAU				20K	375	311	236	-	180	-	208	10	-	10 X 20	4	77,00
WY3P-30KAU	30K	390	330	230	-	180	-	205	16	-	12 X 25	6	92,00			
WY3P-40KAU	W3PT	N- 220-380-440-460		40K	430	390	260	-	205	-	195	20	-	13 X 40	8	101,5
WY3P-50KAU				50K	450	450	330	-	225	-	210	20	-	10 X 40	8	110,00
WY3P-75KAU				75K	500	510	360	-	240	-	210	20	-	13	8	137,00
WY3P-100KAU				100K	500	510	390	-	240	-	225	-	-	13	-	192,00
WY3P-150KAU				150K	570	500	420	-	360	-	230	-	-	13	-	272,00
WY3P-200KAU				200K	650	700	400	-	420	-	220	-	-	16	-	336,00
WY3P-300KAU				300K	710	800	500	-	500	-	270	-	-	16	-	530,00

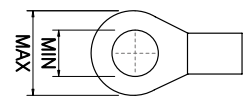
※ 3KVA 이상 " I " Bolt 부착 (Attach an " I " bolt for 3KVA or larger)

Dimension

• WP Type



Terminal



100VA~10kVA : Max 9, Min 4
15~30kVA : Max 15, Min 6
40~150kVA : Max 19, Min 8

노이즈컷트랜스

REACTOR 리액터

TRANS. 트랜스포머

AHF 5000형필터

PHF 수동형필터

MSF 마이크로서지필터

ZHF 영상고조파필터

SPD 서지보호기