

Air Silencer Series

- M5, PT 1/8, 1/4, 3/8, 1/2
- Space Economy Type
- Long Life Time

SPECIFICATION

METAL SILENCER

Type	PORT SIZE	WEIGHT (g)	DIAMETER			
	PT		A	B	C	D
ASS 1000	M5	2	4	18	7	7
ASS 2000	1/8	6	7	24	8	11
ASS 4000	1/4	17	8	32	10.5	15
ASS 5000	3/8	28	10	39	12	19
ASS 6000	1/2	35	14	44	15	22

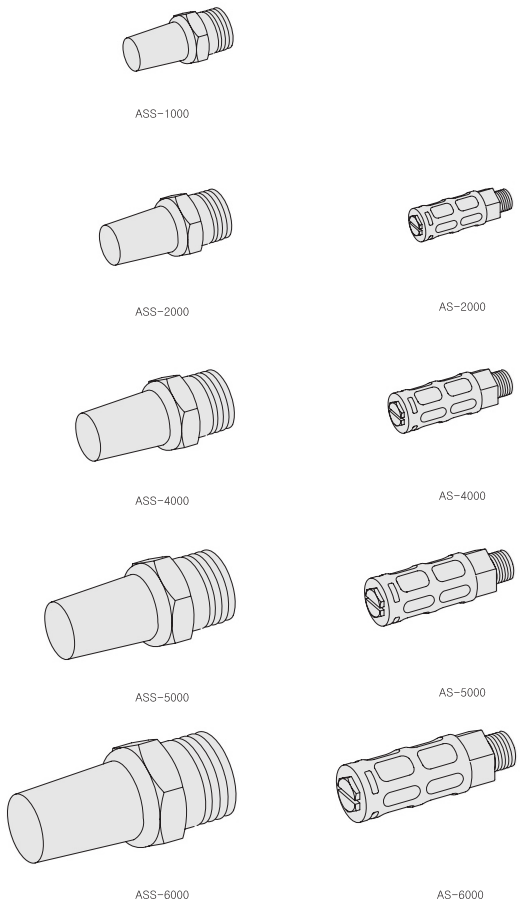
PLASTIC SILENCER

Type	PORT SIZE	WEIGHT (g)	DIAMETER			
	PT		A	B	C	D
AS 2000	1/8	5	40	16	14	7
AS 4000	1/4	14	65	21	20	10
AS 5000	3/8	22	85	25	22	13
AS 6000	1/2	32	95	26	26	14

The Material of Parts

- Metal Silencer
- Plastic Silencer
- Body : Copper
- Body, Cap : POM
- Element : Powder
- Resin Element

※ The specification on each item can be amended without any prenotice to improve a performance.
 ※ The specification on each item can be different from actual specification.



ORDERING NO.

ASS - 1000

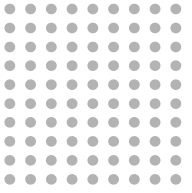
Silencer Type

ASS:
Metal Silencer

AS:
Plastic Silencer

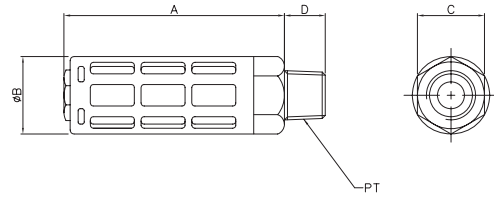
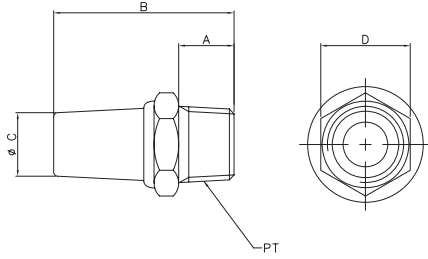
Connection Size

1000	M5×0.8
2000	PT 1/8
4000	PT 1/4
5000	PT 3/8
6000	PT 1/2



Air Silencer Series

M5, 1/8, 1/4, 3/8, 1/2



MODEL NO.	PORT SIZE	WEIGHT (g)	DIAMETER			
	PT		A	B	C	D
ASS 1000	M5	2	4	18	7	7
ASS 2000	1/8	6	7	24	8	11
ASS 4000	1/4	17	8	32	10,5	15
ASS 5000	3/8	28	10	39	12	19
ASS 6000	1/2	35	14	44	15	22

MODEL NO.	PORT SIZE	WEIGHT (g)	DIAMETER			
	PT		A	∅B	C	D
AS 2000	1/8	5	40	16	14	7
AS 4000	1/4	14	65	21	20	10
AS 5000	3/8	22	85	25	22	13
AS 6000	1/2	32	95	26	26	14