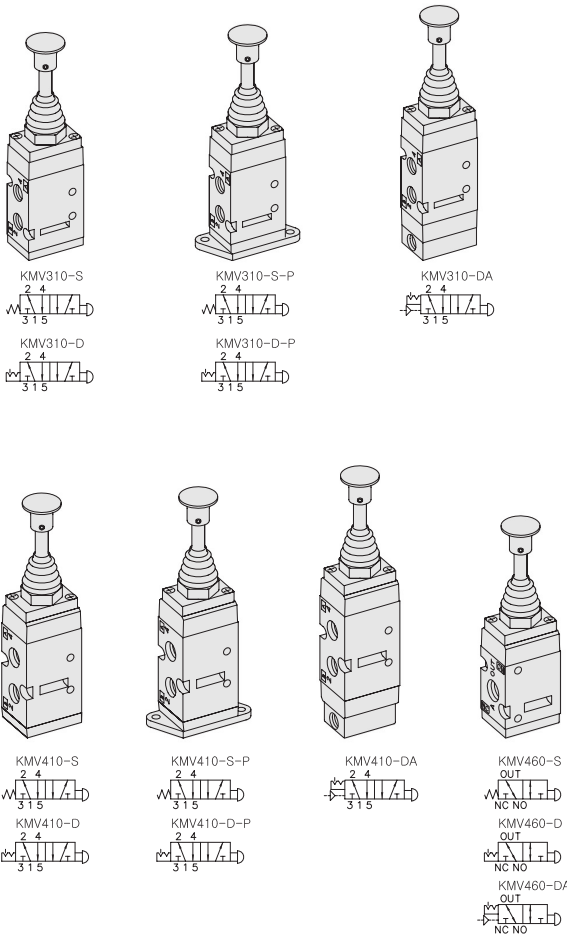


KMV Series

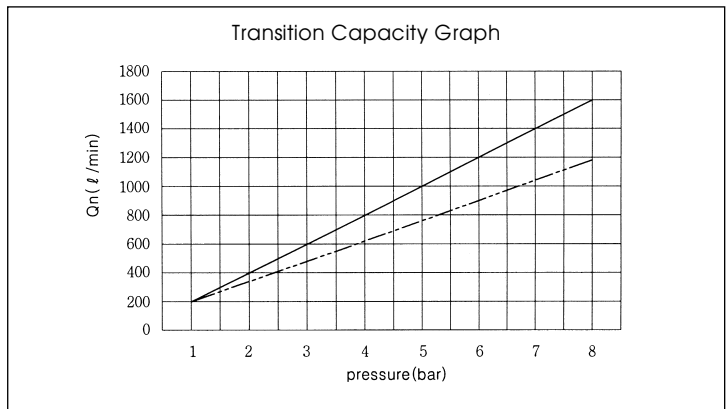
Knob Push / Pull Manually Actuated Spool Valves

- 5/2, 3/2 - 1/8, 1/4
- Direct Operation Type
- Simple Operation
- Space Economy Type

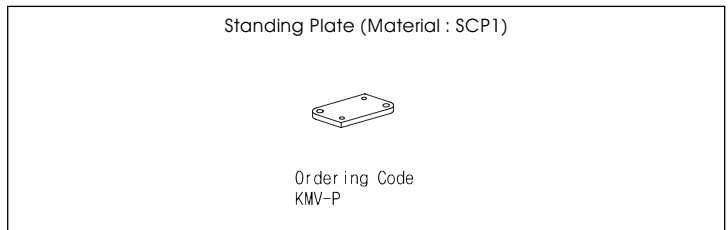


SPECIFICATION

ITEM	FUNCTION	KMV300	KMV400
	FUNCTION		5/2-Way
Fluids		Compressed Air & Inert Gases	
Port Size		1/8	1/4
Pressure(bar)		0~8.0	
Eff. Sectional Area(mm ²)-5bar		13.5	18.0
Ambient & Fluid Temp.		5~60°C (41~140°F)	
Lubrication		Not Required(Use ISO VG32#)	



- ### The Material of Parts
- Valve Body : Die-Cast Aluminium
 - Cap : Zinc Pressure Die-Cast
 - Spool : Aluminium
 - Seals : NBR
 - Spring : Stainless
 - Lever Parts : Steel, NBR, Aluminium
 - Standing Plate : Steel Plate

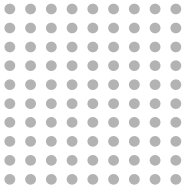


※ The specification on each item can be amended without any prenotice to improve a performance.
 ※ The specification on each item can be different from actual specification.

ORDERING NO.

KMV3 1 0 - S - P

Valve Series	Function	Port Size & Thread	Return Method	Plate
KMV3 : 1/8-Port Body	1 5/2 Single 6 3/2 Normally Closed	0 G 1 NPT	S Push, Spring Return D Push, Full DA Push, Air Return	P Standing Plate
KMV4 : 1/4-Port Body				

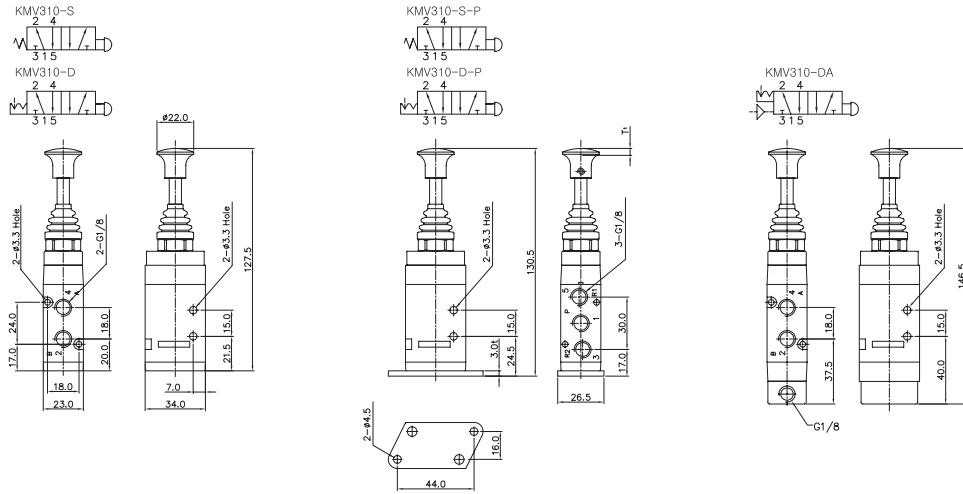


Knob Push / Pull Manually Actuated Valves

Port Thread 1/8, 1/4

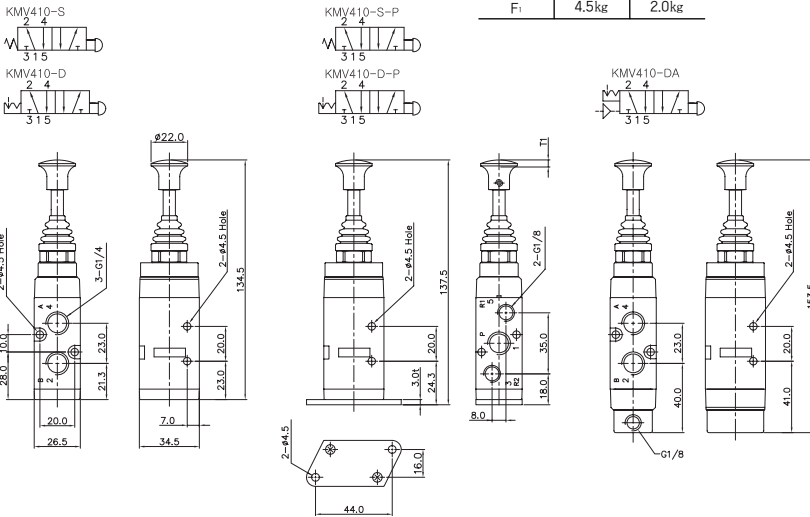
5/2-Way, Spring Return & Push Pull & Air Return Operation Thread-G1/8

ITEM	KMV310-S	KMV310-D
T ₁	4.0mm	4.0mm
F ₁	4.5kg	2.0kg



5/2-Way, Spring Return & Push Pull & Air Return Operation Thread-G1/4

ITEM	KMV410-S	KMV420-D
T ₁	4.0mm	4.0mm
F ₁	4.5kg	2.0kg



3/2-Way, Spring Return & Push Pull & Air Return Operation Thread-G1/4

