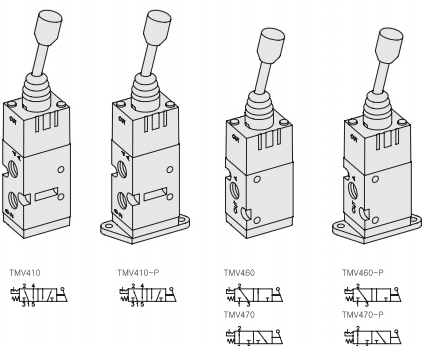
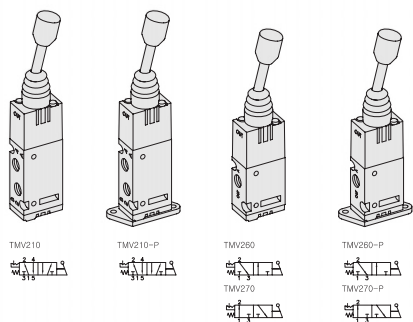


TMV Series

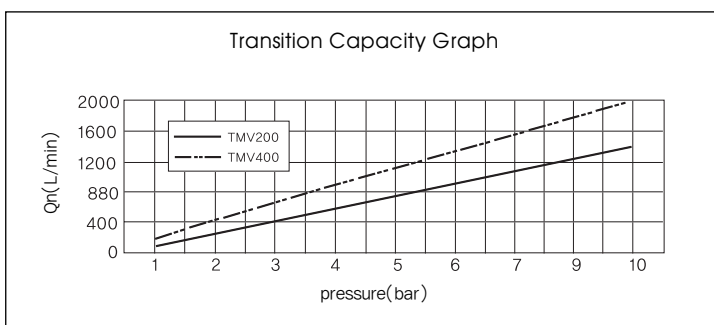
Toggle Lever operated Mechanically Actuated Spool Valves

- 5/2, 3/2 - 1/8, 1/4
- Direct Operation Type
- Simple Operation
- Manifold Mounting Type



SPECIFICATION

ITEM	SERIES	TMV200	TMV400
	FUNCTION	5/2, 3/2-Way	
Fluids	Compressed Air & Inert Gases		
Port Size		1/8	1/4
Pressure(bar)		2.0~10.0	0~8.0
Eff. Sectional Area(mm ²)-5bar		9.0	18.0
Ambient & Fluid Temp.	5~60°C (41~140°F)		
Lubrication	Not Required(Use ISO VG32#)		



- ### The Material of Parts
- Valve Body : Die-Cast Aluminium
 - Cap : Zinc Pressure Die-Cast
 - Spool : Aluminium
 - Seals : NBR
 - Spring : Stainless
 - Lever Parts : Steel, NBR, Aluminium

Standing Plate (Material : SCP1)

Ordering Code
TMV-P

* The specification on each item can be amended without any prenotice to improve a performance.
* The specification on each item can be different from actual specification.

ORDERING NO.

TMV2 1 - 0 - P

Valve Series	Function	Port Size & Thread	Plate
TMV2 : 1/8-Port Body	1 5/2 Single 6 3/2 Normally Closed 7 3/2 Normally Open	0 G 1 NPT	P Standing Plate
TMV4 : 1/4-Port Body			

