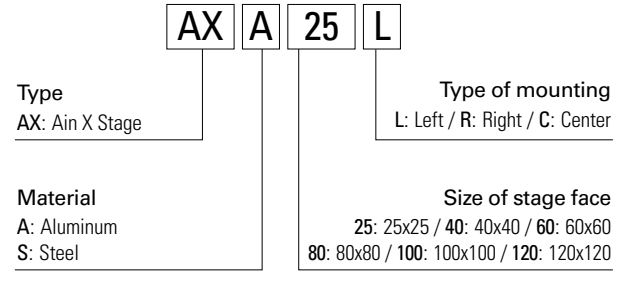


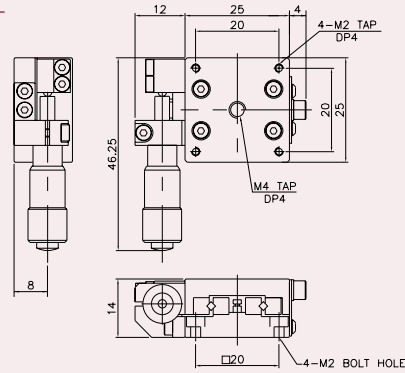
X25

• Examples of model number formation

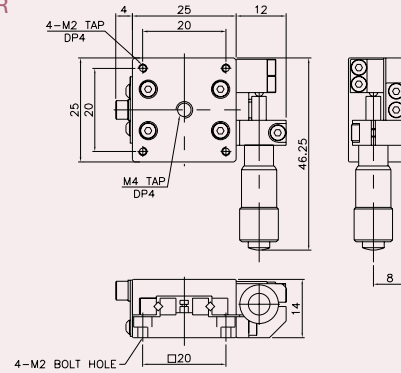


Model no.	AX-25L	AX-25R	AX-25C
Microhead position	Left	Right	Center
Stage surface (mm)	25x25		
Stroke (mm)	±3		
Resolution (mm)	10µm/division(0.01)		
Travel guide	Crossed roller bearing		
Material	Aluminum		
Load capacity (kg/f)	1		
Weight (kg)	0.09		

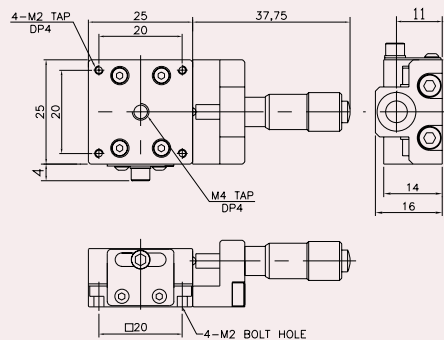
AX-25L



AX-25R

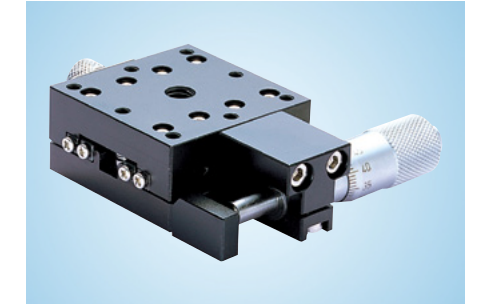
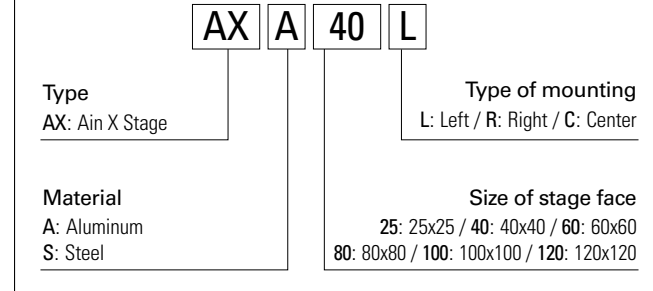


AX-25C



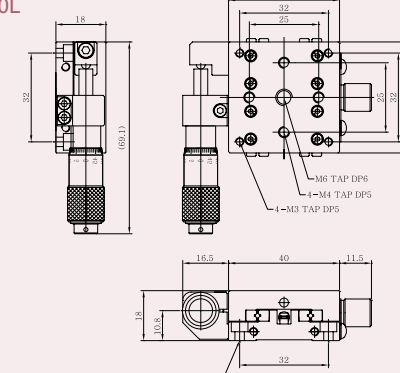
X40

• Examples of model number formation

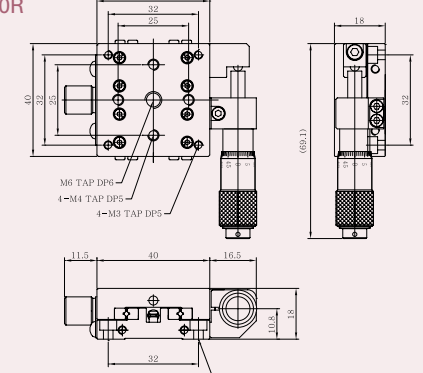


Model no.	AX-40L	AX-40R	AX-40C
Microhead position	Left	Right	Center
Stage surface (mm)	40x40		
Stroke (mm)	±6.5		
Resolution (mm)	10µm/division(0.01)		
Travel guide	Crossed roller bearing		
Material	Aluminum		
Load capacity (kg/f)	2		
Weight (kg)	0.135		

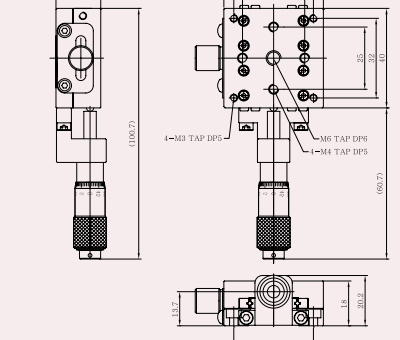
AX-40L



AX-40R

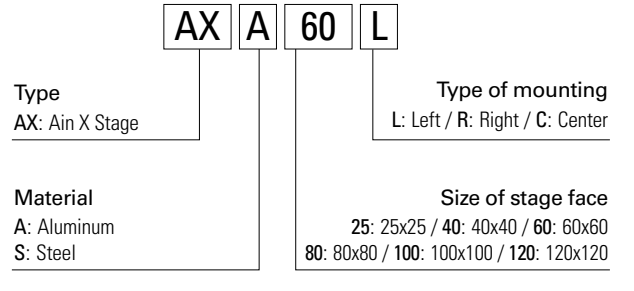


AX-40C

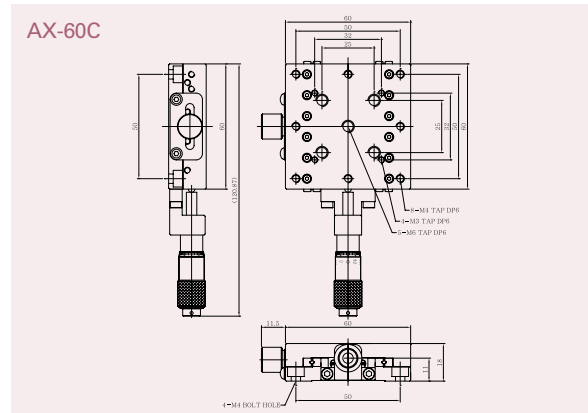
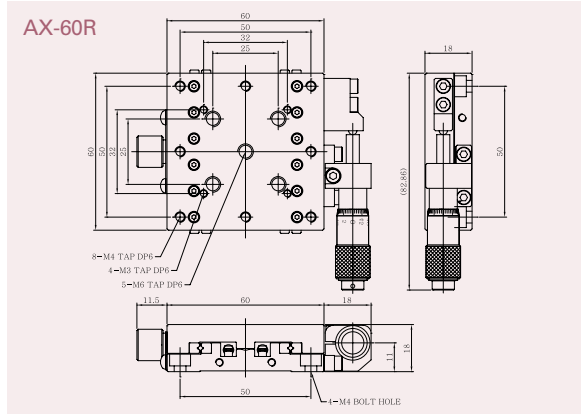
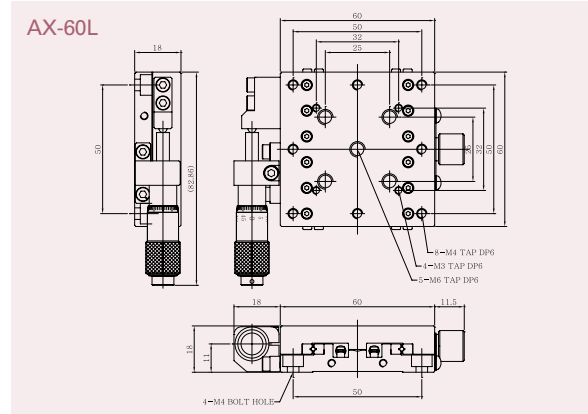


X60

• Examples of model number formation

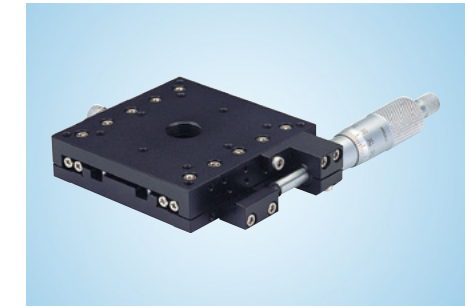
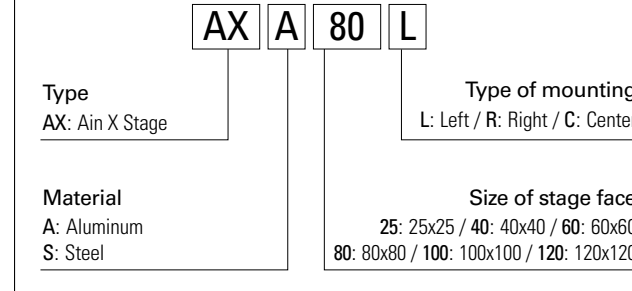


Model no.	AX-60L	AX-60R	AX-60C
Microhead position	Left	Right	Center
Stage surface (mm)		60x60	
Stroke (mm)		±6.5	
Resolution (mm)		10µm/division(0.01)	
Travel guide		Crossed roller bearing	
Material		Aluminum	
Load capacity (kg/f)		5	
Weight (kg)		0.25	

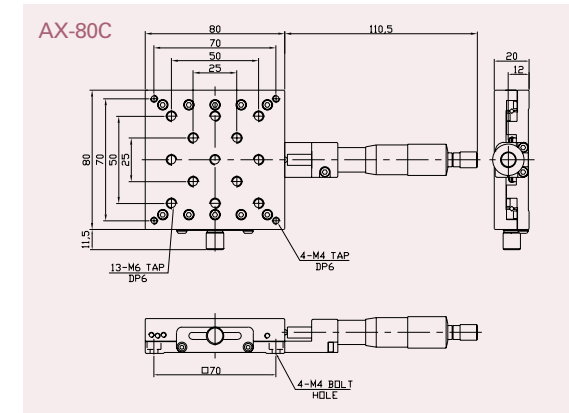
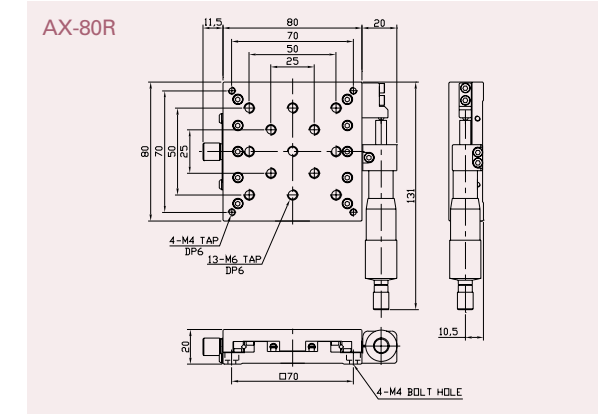
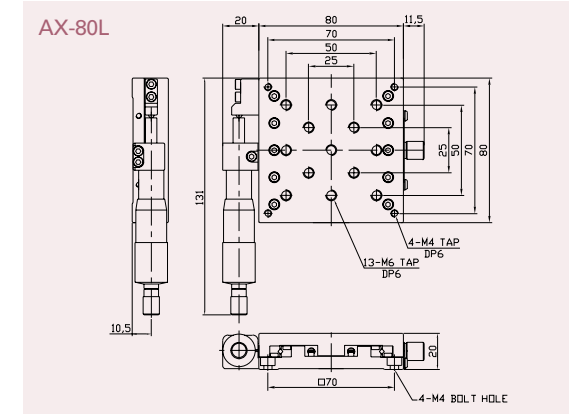


X80

• Examples of model number formation

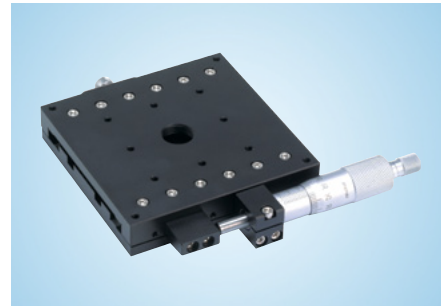
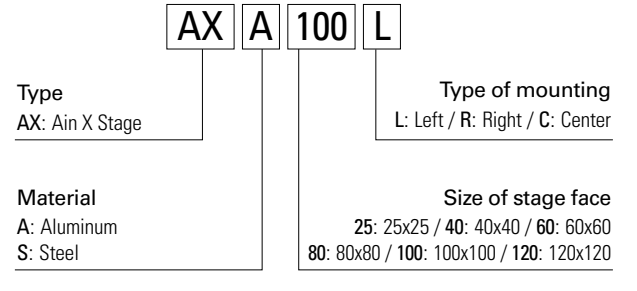


Model no.	AX-80L	AX-80R	AX-80C
Microhead position	Left	Right	Center
Stage surface (mm)		80x80	
Stroke (mm)		±12.5	
Resolution (mm)		10µm/division(0.01)	
Travel guide		Crossed roller bearing	
Material		Aluminum	
Load capacity (kg/f)		10	
Weight (kg)		0.46	

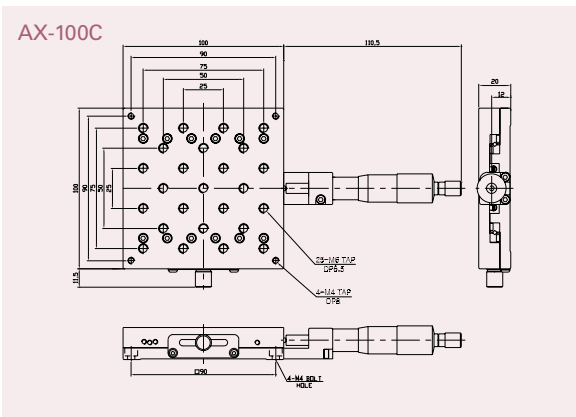
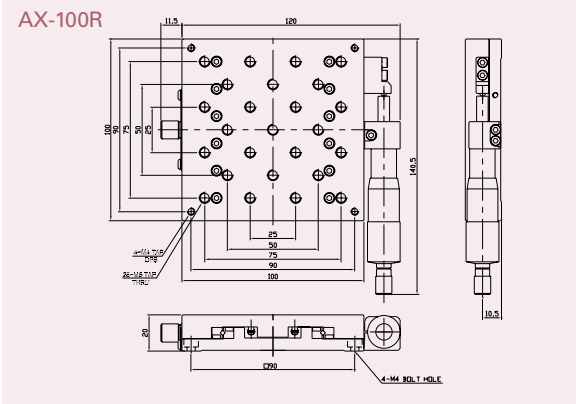
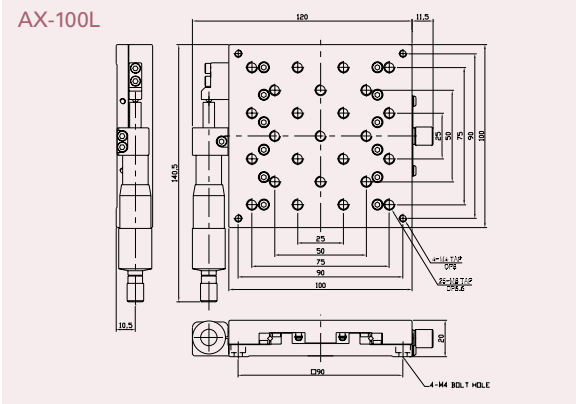


X100

• Examples of model number formation

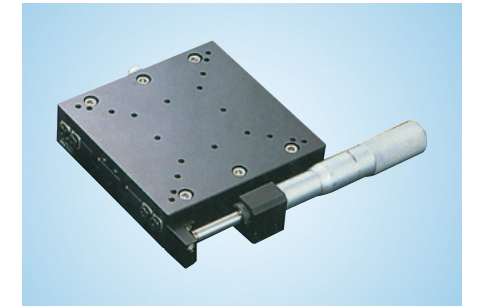
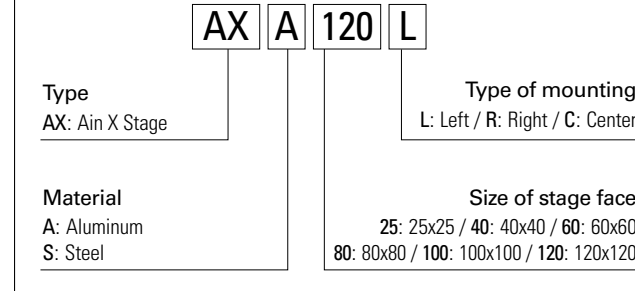


Model no.	AX-100L	AX-100R	AX-100C
Microhead position	Left	Right	Center
Stage surface (mm)	100x100		
Stroke (mm)	±12.5		
Resolution (mm)	10µm/division(0.01)		
Travel guide	Crossed roller bearing		
Material	Aluminum		
Load capacity (kg/f)	15		
Weight (kg)	0.57		

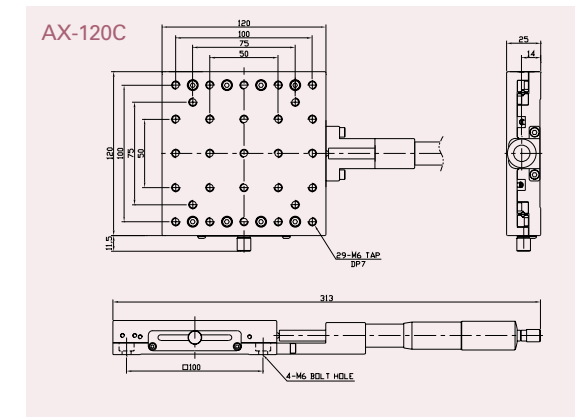
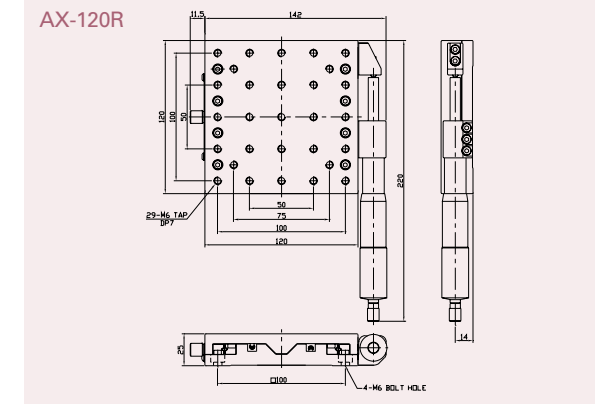
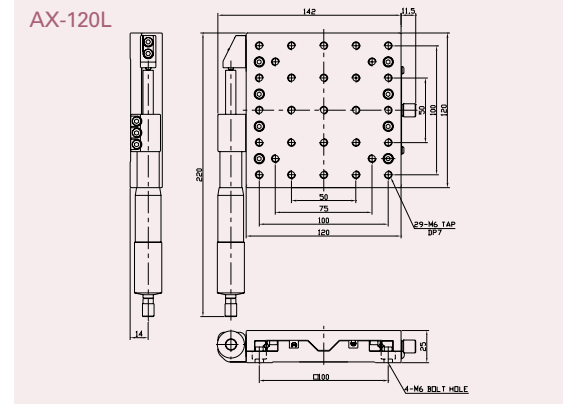


X120

• Examples of model number formation

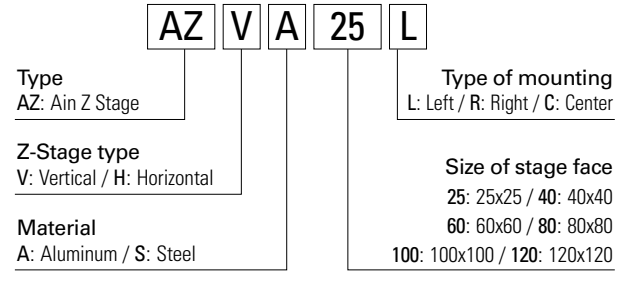


Model no.	AX-120L	AX-120R	AX-120C
Microhead position	Left	Right	Center
Stage surface (mm)	120x120		
Stroke (mm)	±25		
Resolution (mm)	10µm/division(0.01)		
Travel guide	Crossed roller bearing		
Material	Aluminum		
Load capacity (kg/f)	20		
Weight (kg)	1.5		

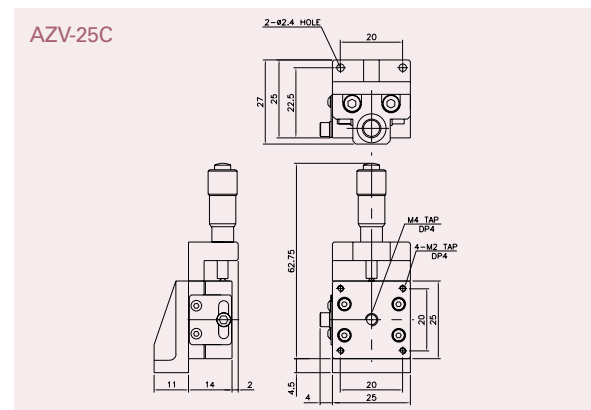
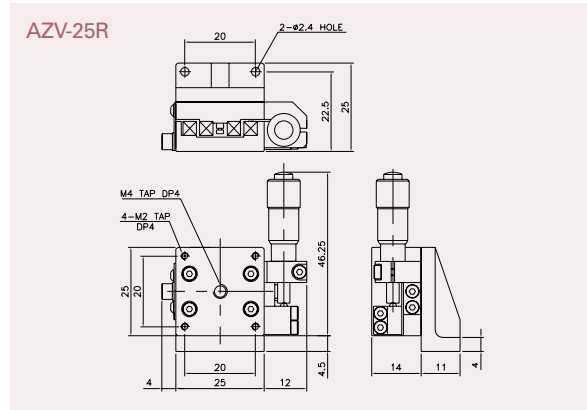
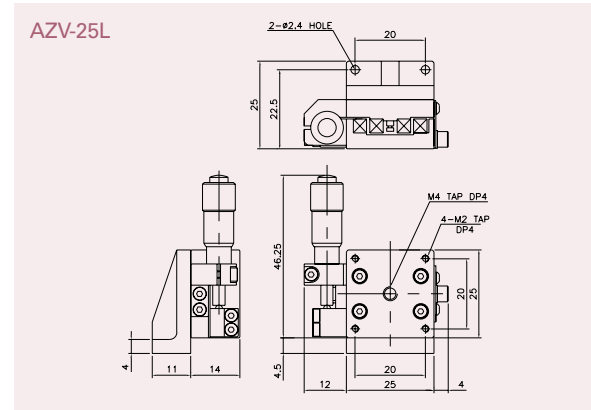


Z25

• Examples of model number formation

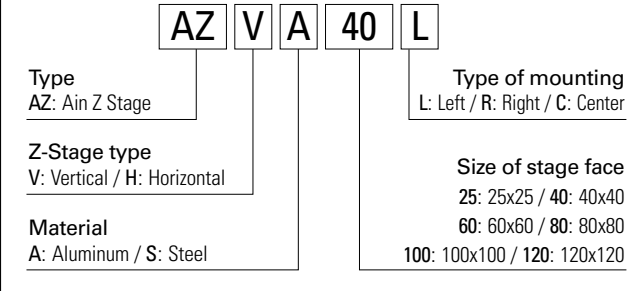


Model no.	AZV-25L	AZV-25R	AZV-25C
Microhead position	Left	Right	Center
Z-Stage type		Vertical	
Stage surface (mm)		25x25	
Stroke (mm)		±3	
Resolution (mm)		10µm/division(0.01)	
Travel guide		Crossed roller bearing	
Material		Aluminum	
Load capacity (kg/f)		0.5	
Weight (kg)		0.047	

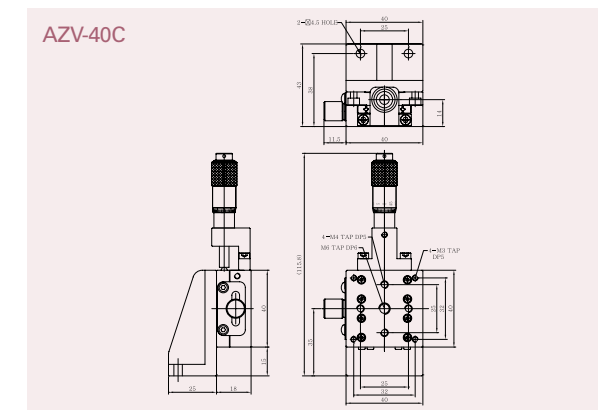
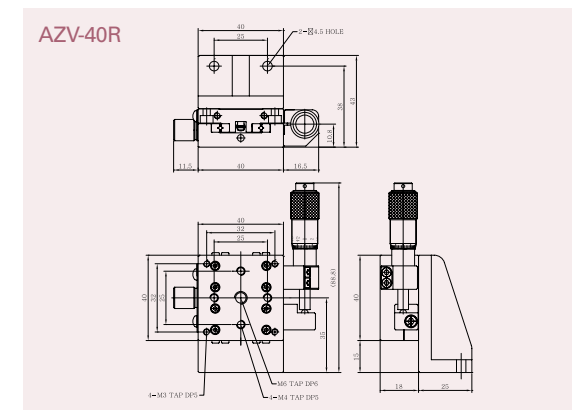
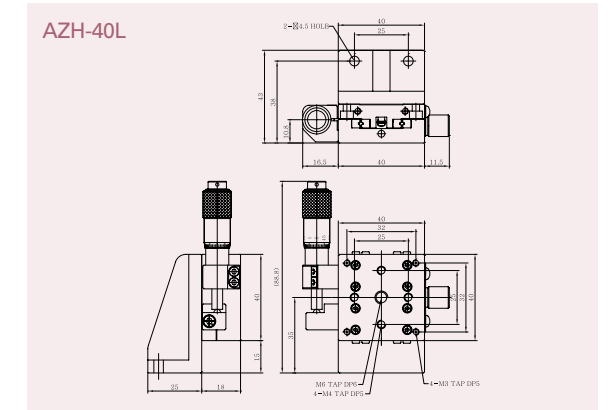
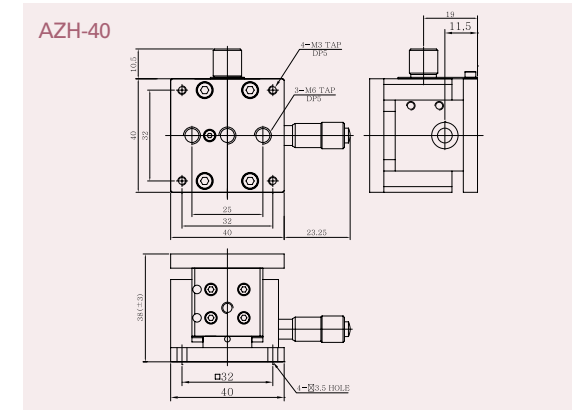


Z40

• Examples of model number formation

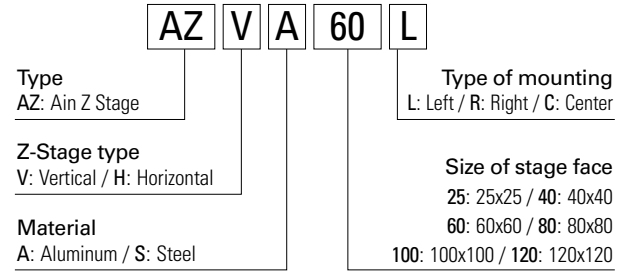


Model no.	AZH-40	AZH-40L	AZV-40R	AZV-40C
Microhead position	Center	Left	Right	Center
Z-Stage type		Horizontal		Vertical
Stage surface (mm)		40x40		
Stroke (mm)	±3.0		±6.5	
Resolution (mm)		10µm/division(0.01)		
Travel guide		Crossed roller bearing		
Material		Aluminum		
Load capacity (kg/f)		1		1
Weight (kg)		0.145		0.137

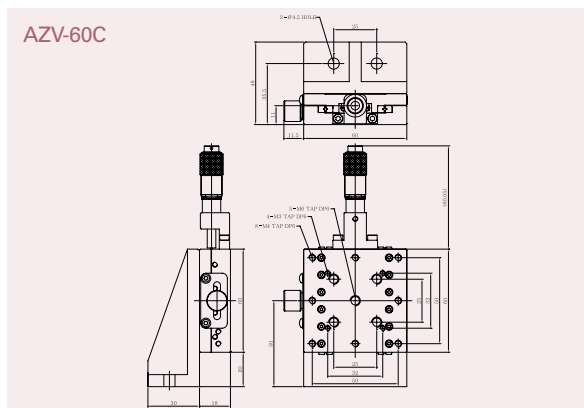
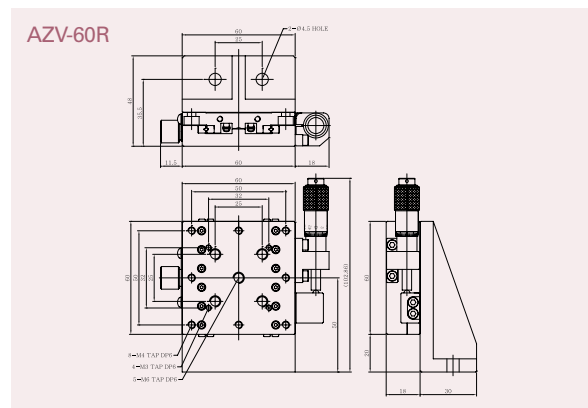
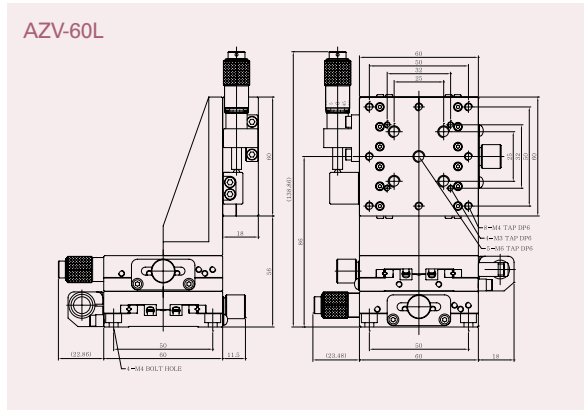
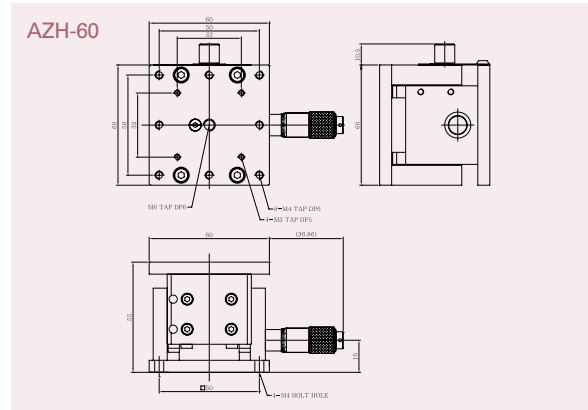


Z60

• Examples of model number formation

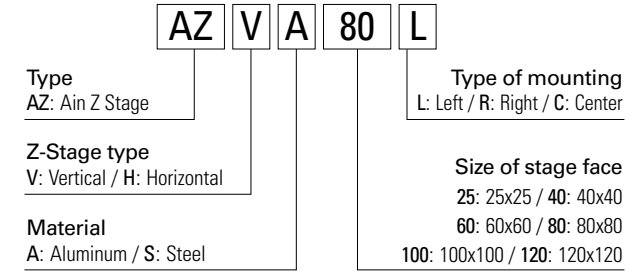


Model no.	AZH-60	AZV-60L	AZV-60R	AZV-60C
Microhead position	Center	Left	Right	Center
Z-Stage type	Horizontal	Vertical		
Stage surface (mm)	60x60			
Stroke (mm)	±6.5			
Resolution (mm)	10µm/division(0.01)			
Travel guide	Crossed roller bearing			
Material	Aluminum			
Load capacity (kg/f)	4		2	
Weight (kg)	0.45		0.28	

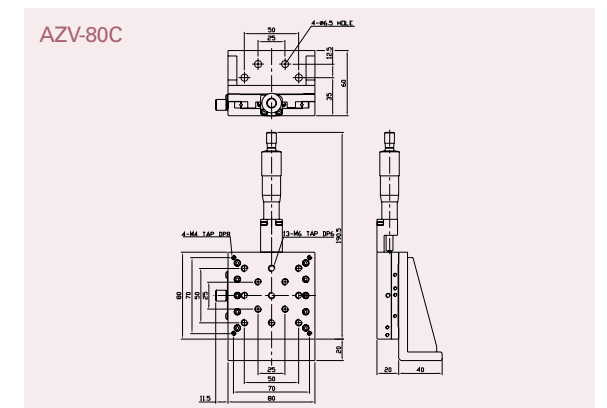
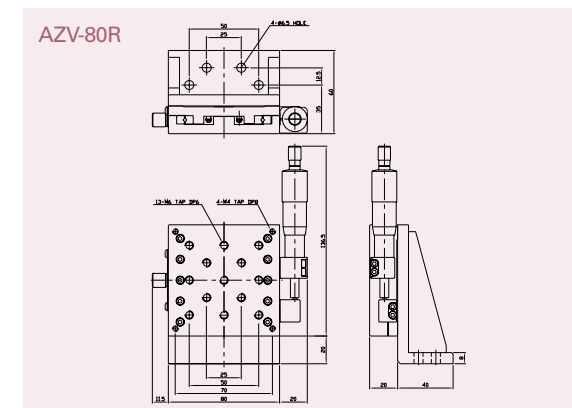
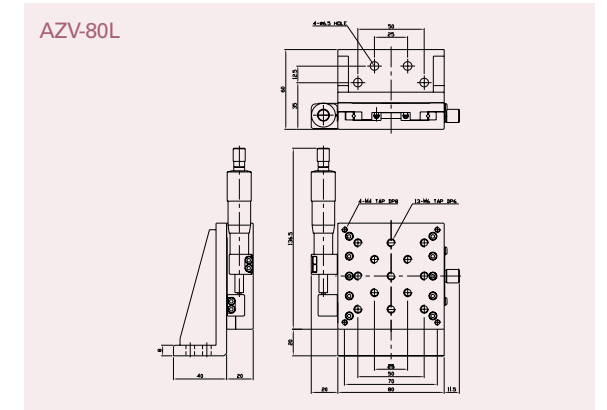
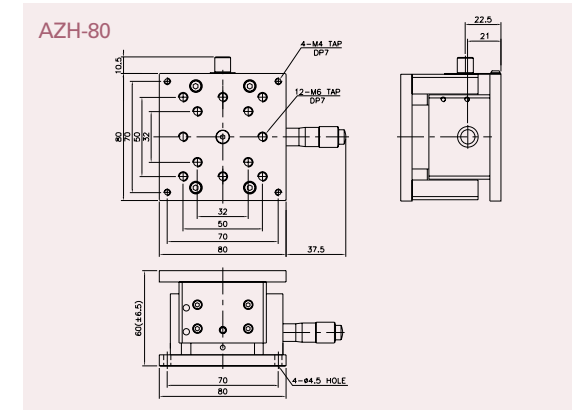


Z80

• Examples of model number formation

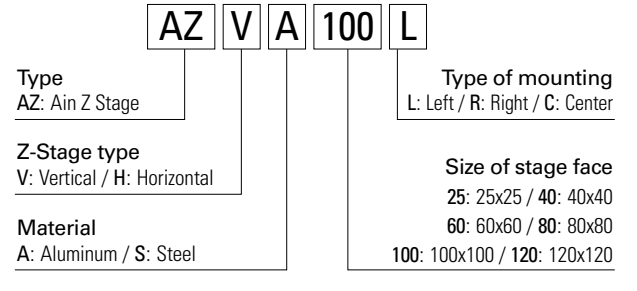


Model no.	AZH-80	AZV-80L	AZV-80R	AZV-80C
Microhead position	Center	Left	Right	Center
Z-Stage type	Horizontal	Vertical		
Stage surface (mm)	80x80			
Stroke (mm)	±6.5	±12.5		
Resolution (mm)	10µm/division(0.01)			
Travel guide	Crossed roller bearing			
Material	Aluminum			
Load capacity (kg/f)	4		5	
Weight (kg)	0.8		0.49	

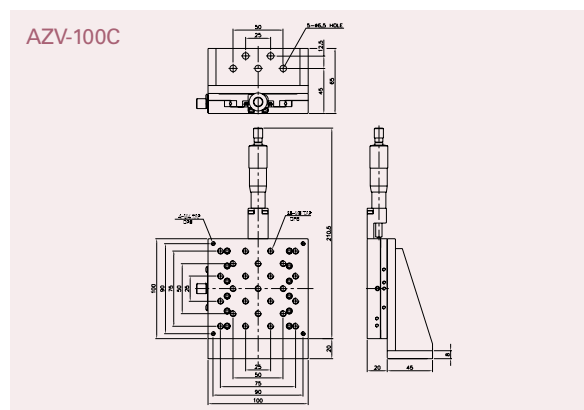
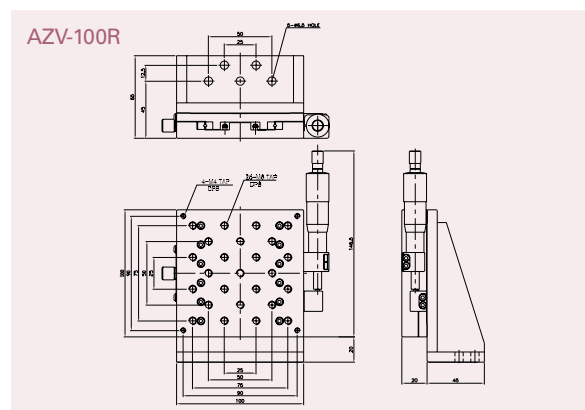
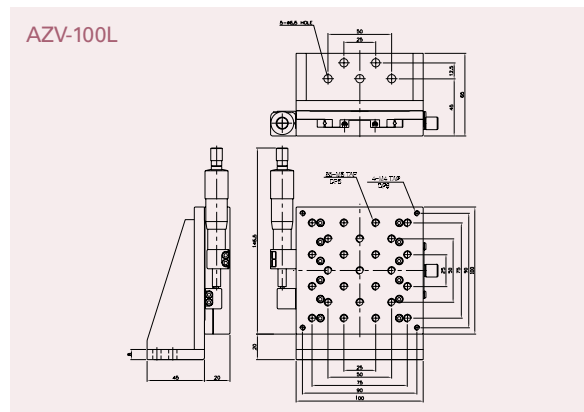
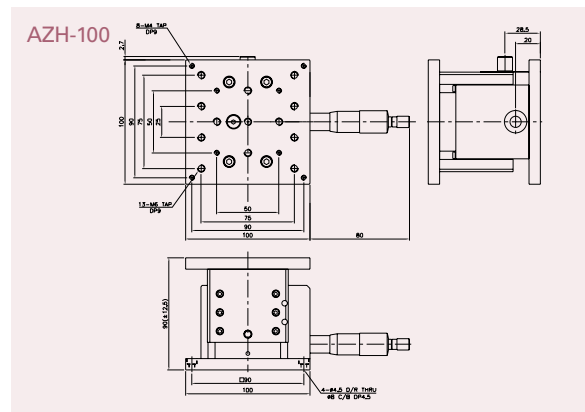


Z100

• Examples of model number formation

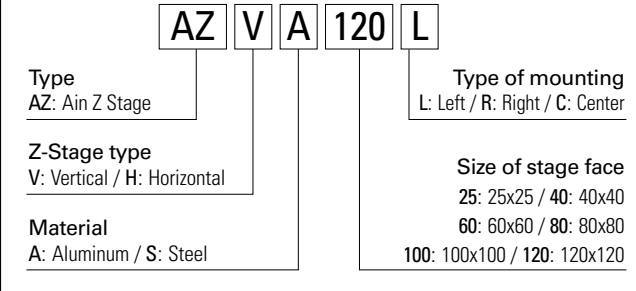


Model no.	AZH-100	AZV-100L	AMZV-100R	AZV-100C
Microhead position	Center	Left	Right	Center
Z-Stage type	Horizontal	Vertical		
Stage surface (mm)	100x100			
Stroke (mm)	±12.5			
Resolution (mm)	10µm/division(0.01)			
Travel guide	Crossed roller bearing			
Material	Aluminum			
Load capacity (kg/f)	5	5.5		
Weight (kg)	1.1	0.65		

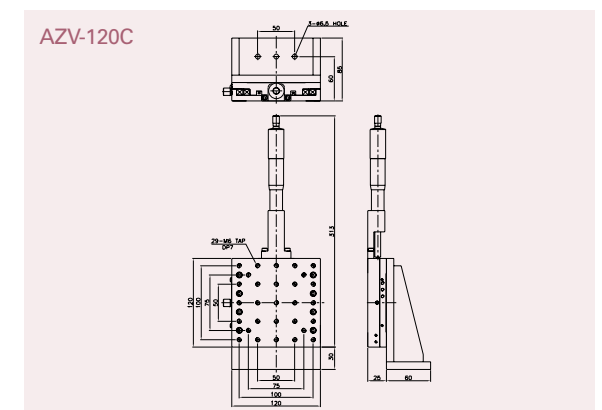
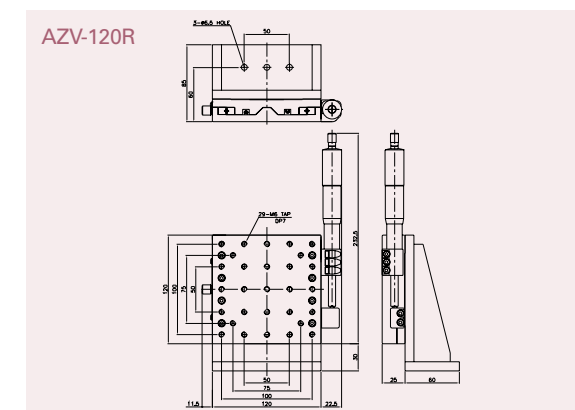
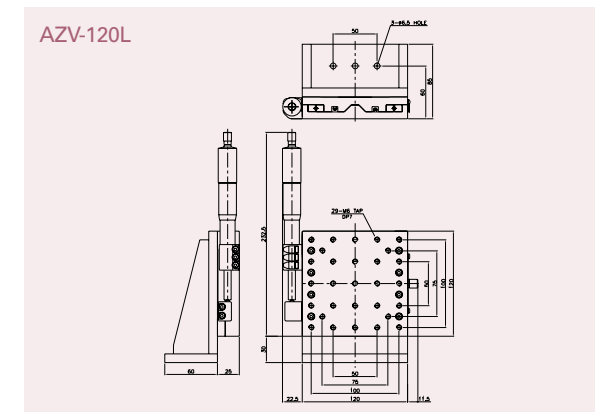
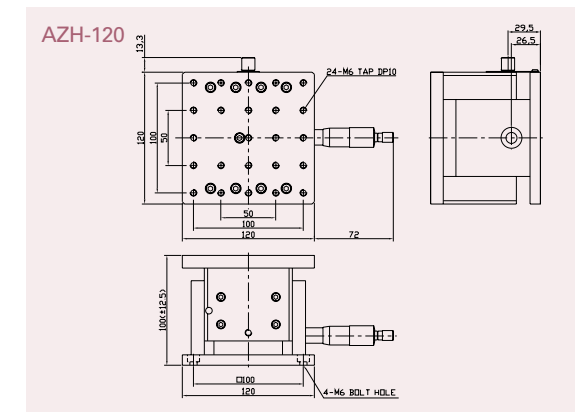


Z120

• Examples of model number formation



Model no.	AZH-120	AZV-120L	AZV-120R	AZV-120C
Microhead position	Center	Left	Right	Center
Z-Stage type	Horizontal	Vertical		
Stage surface (mm)	120x120			
Stroke (mm)	±12.5	±25		
Resolution (mm)	10µm/division(0.01)			
Travel guide	Crossed roller bearing			
Material	Aluminum			
Load capacity (kg/f)	6	6.5		
Weight (kg)	1.35	1.7		



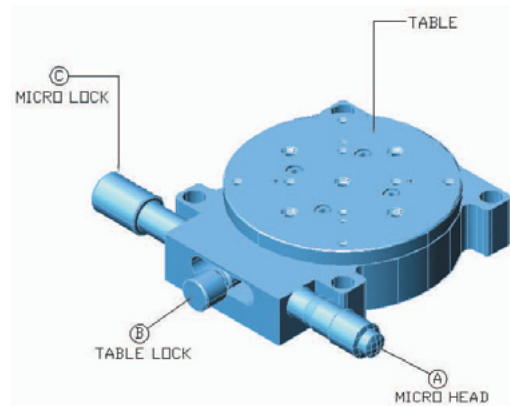
Crossed Roller 80/100/120/150

• Examples of model number formation

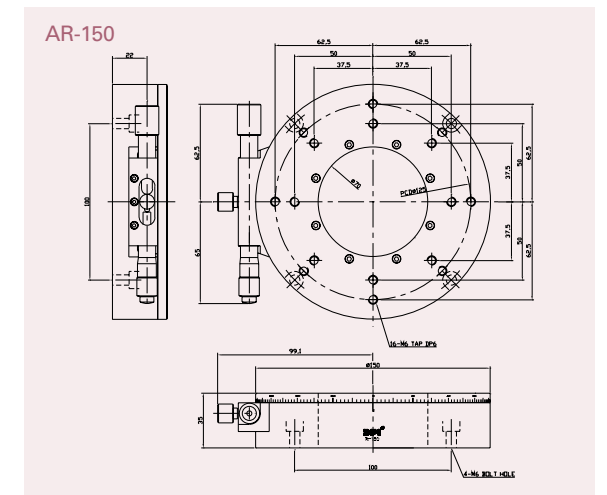
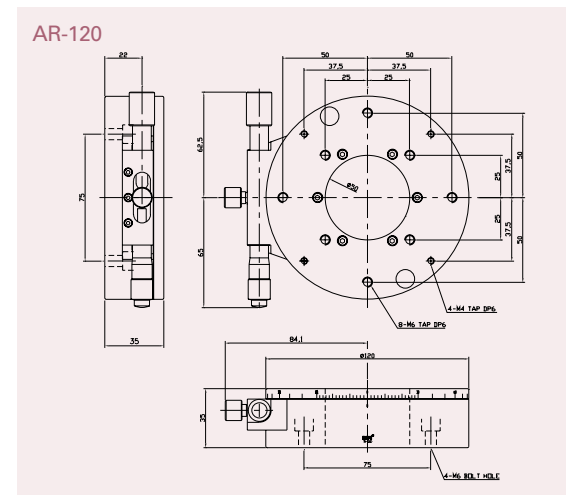
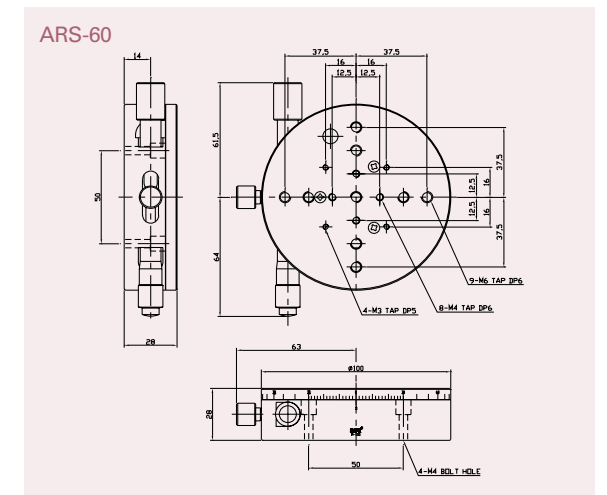
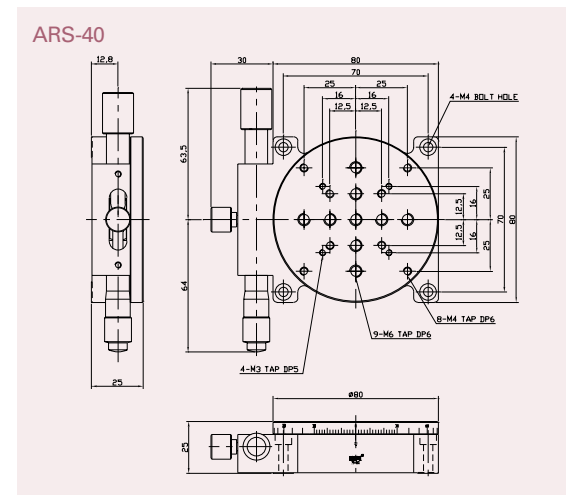
AR	80	A	
Type	Size of stage face	Material	Special option
AR: Ain Rotation Stage	80: Ø80 / 100: Ø100 120: Ø120 / 150: Ø150	A: Aluminum S: Steel SUS: Stainless Steel	



Model no.	AR-80	AR-100	AR-120	AR-150
Stage surface (mm)	ø80	ø100	ø120	ø150
Travel range (mm)	360°±5°			
Travel guide	Crossed roller bearing			
Reading (mm)	0.1°/Vernier			
Roundness (mm)	0.05			
Material	Aluminum			
Load capacity (kg/f)	6	8	12	15
Weight (kg)	0.51	0.81	1.25	2



- Table freely when using a 360°, (B) TABLE LOCK loosen the screws fixed at a specific location after use.
- Requiring a specific location if the correct angle (B) loosen the table at a certain position, and turned (B) locking after a (A) MICRO HEAD setting as using the correct angle.
- Table for Micro Head Lock the inside so they are fully secured by spring (C) MICRO LOCK to instantly fix it is by turning it.



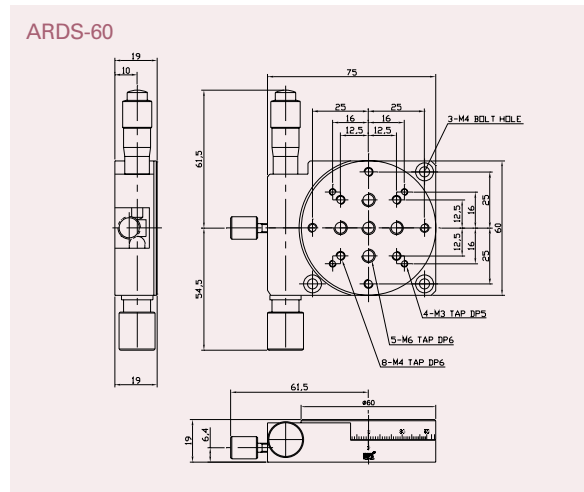
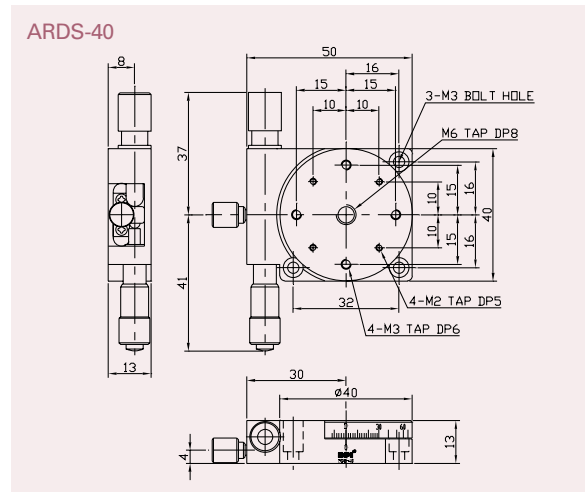
Surface Slide 40/60

• Examples of model number formation

ARDS	40	A	
Type ARDS: Ain Rotation Surface Slide Stage	Size of stage face 40: Ø40 80: Ø80	Material A: Aluminum B: Brass	Special option



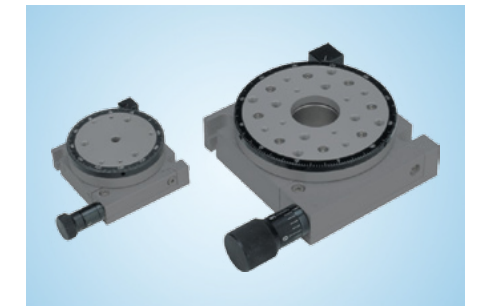
Model no.	ARDS-40	ARDS-60
Stage surface (mm)	ø40	ø60
Travel range (mm)	360°±5°	
Travel guide	Surface work system	
Reading (mm)	0.1°/Vernier	
Roundness (mm)	0.05	
Material	Aluminum/Brass	
Load capacity (kg/f)	1	3
Weight (kg)	0.095	0.6



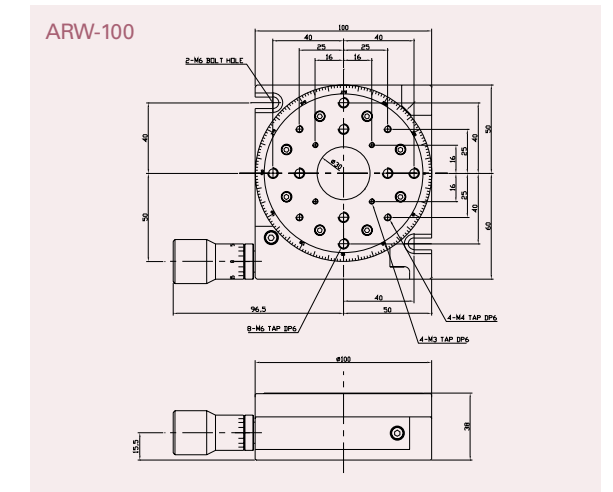
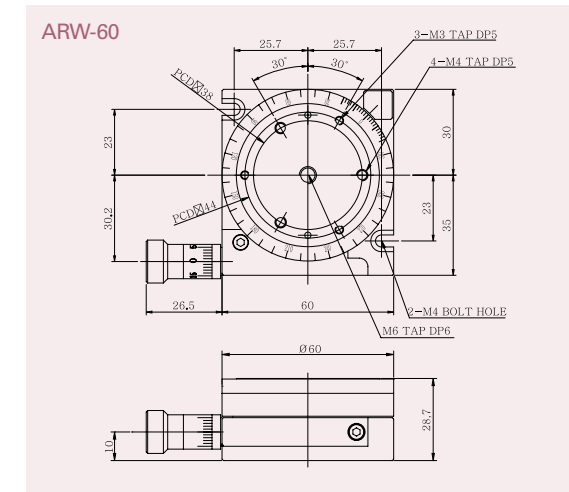
Worm & Gear 60/100

• Examples of model number formation

ARW	60	A	
Type AWS: Ain Rotation Worm & Gear Stage	Size of stage face 60: Ø60 100: Ø100	Material A: Aluminum S: Steel SUS: Stainless Steel	Special option

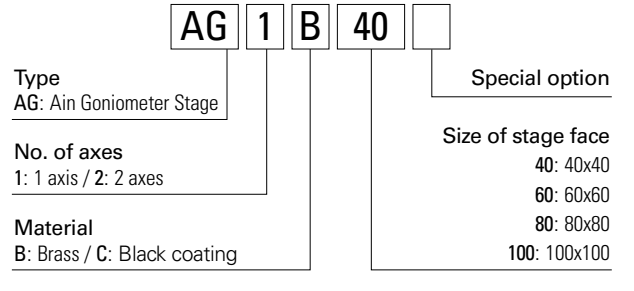


Model no.	ARW-60	ARW-100
Stage surface (mm)	ø60	ø100
Travel range (mm)	360°	
Travel guide	Crossed roller	
Reading (mm)	0.1°/Vernier	
Roundness (mm)	0.02	
Material	Aluminum	
Load capacity (kg/f)	5	20
Weight (kg)	0.31	1.4

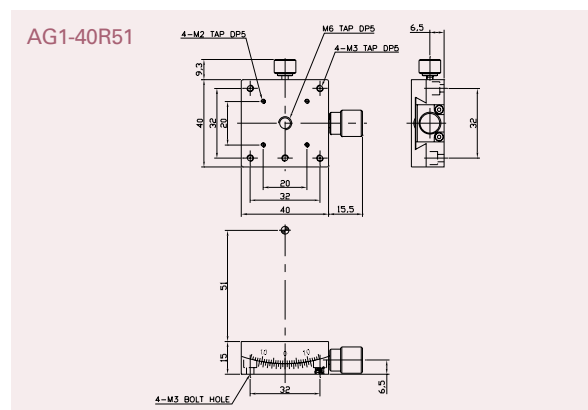
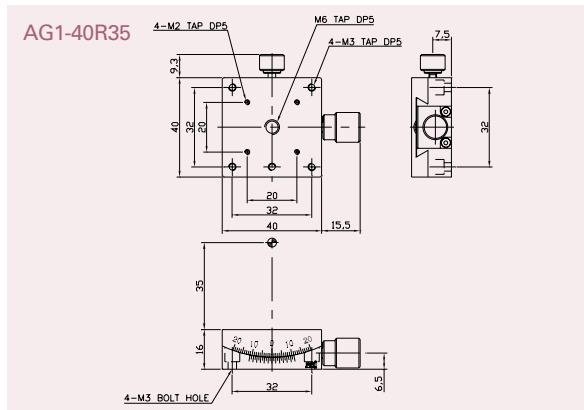
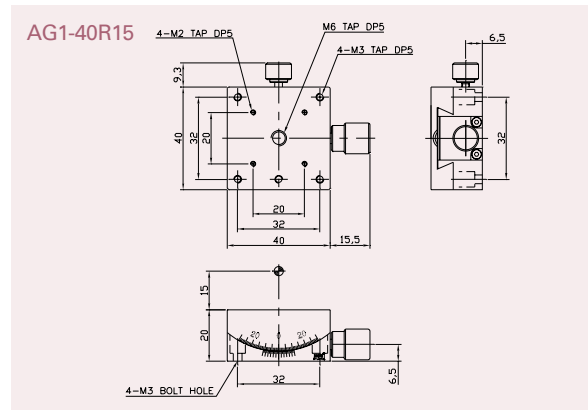


1-Axis 40

• Examples of model number formation

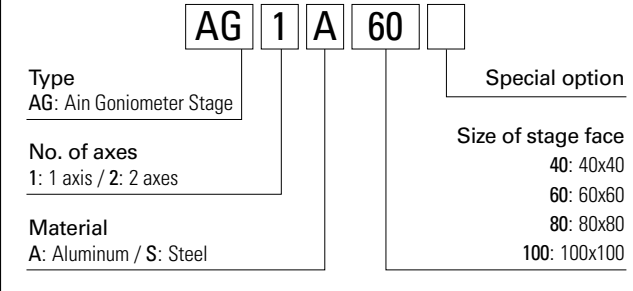


Model no.	AG1-40R15	AG1-40R35	AG1-40R51
Stage surface (mm)	40x40		
Rotation center (mm)	15	35	51
Travel range	±15°	±15°	±10°
Rotation angle	≈3.46°	≈2.19°	≈1.6°
Resolution (mm)	0.1°/Vernier		
Travel guide	Dovetail type, Worm & Gear		
Material	Brass/High quality black coating		
Load capacity (kg/f)	3		
Weight (kg)	0.2		

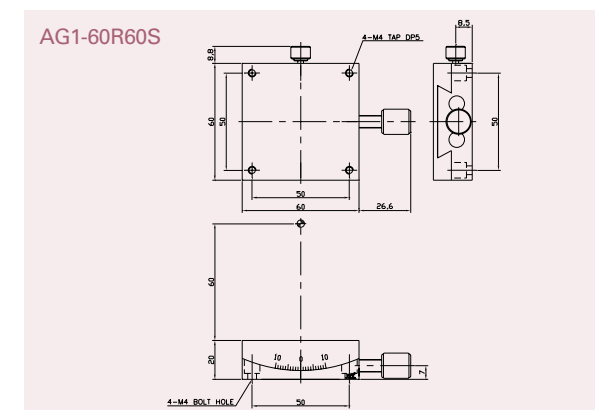
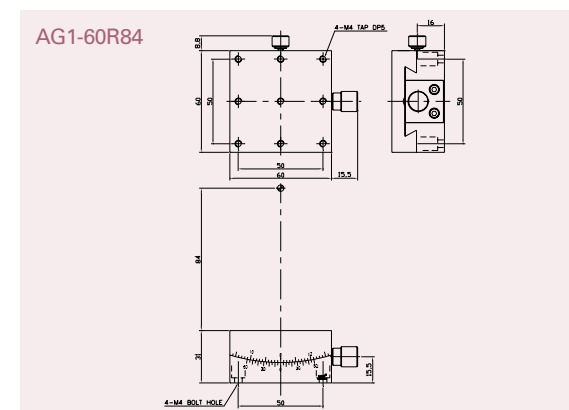
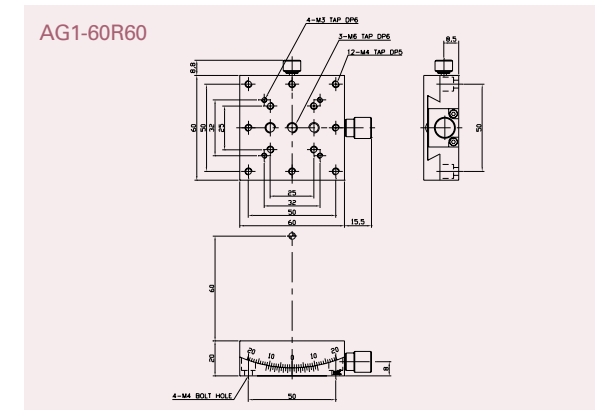
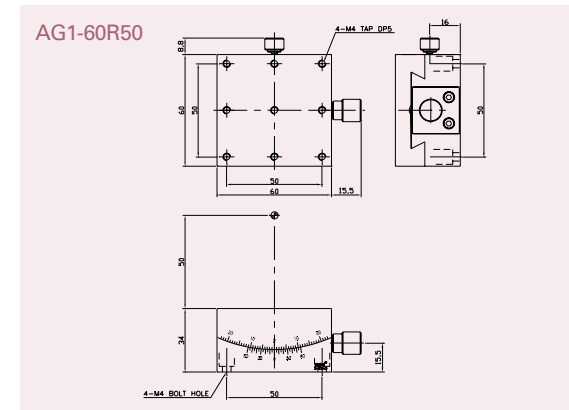


1-Axis 60

• Examples of model number formation

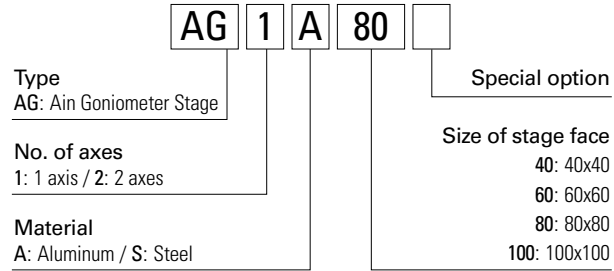


Model no.	AG1-60R50	AG1-60R60	AG1-60R84	AG1-60R60S
Stage surface (mm)	60x60			
Rotation center (mm)	50	60	84	60
Travel range	±15°			
Rotation angle	≈1.38°	≈1.31°	≈0.93°	≈1.31°
Resolution (mm)	0.1°/Vernier			
Travel guide	Dovetail type, Worm & Gear			Dovetail type, L/S
Material	Aluminum			
Load capacity (kg/f)	6			
Weight (kg)	0.22	0.175	0.22	0.175

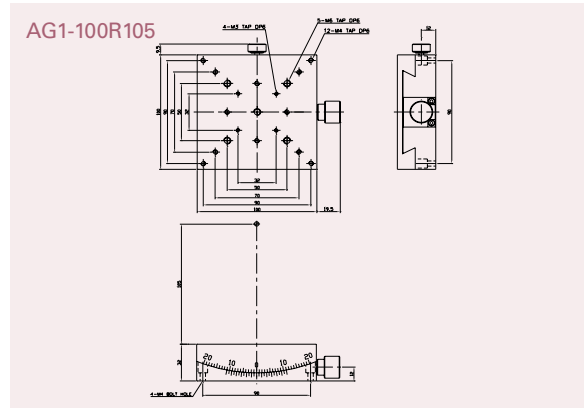
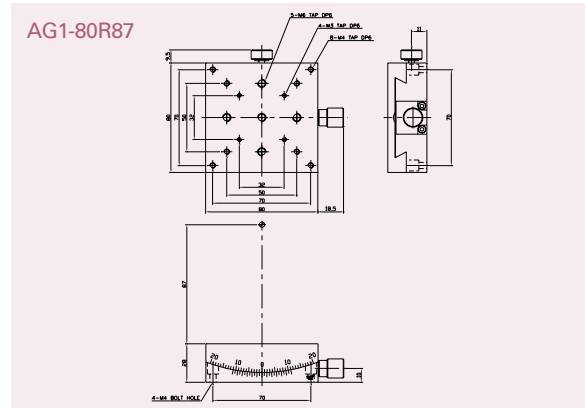


1-Axis 80/100

• Examples of model number formation

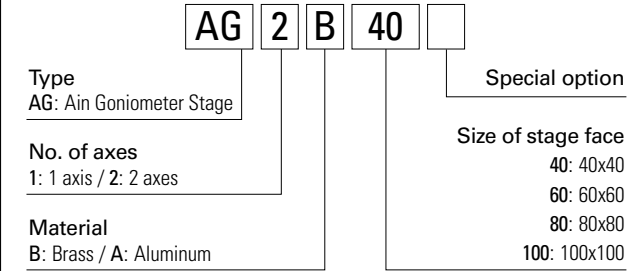


Model no.	AG1-80R87	AG1-100R105
Stage surface (mm)	80x80	100x100
Rotation center (mm)	87	105
Travel range	±15°	±15°
Rotation angle	≅0.9°	≅0.75°
Resolution (mm)	0.1°/Vernier	
Travel guide	Dovetail type, Worm & Gear	
Material	Aluminum	
Load capacity (kg/f)	8	10
Weight (kg)	0.53	0.96

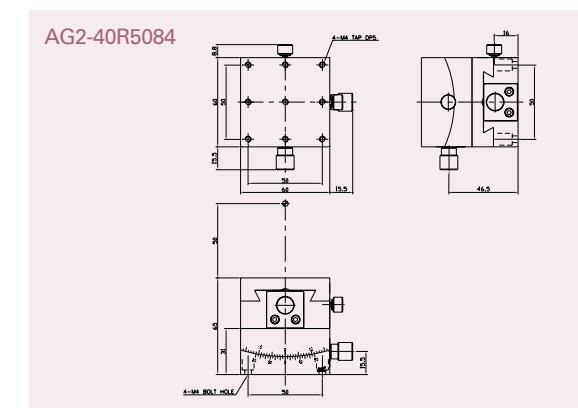
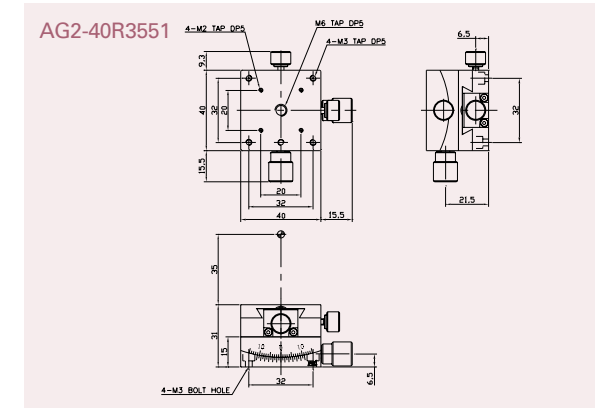
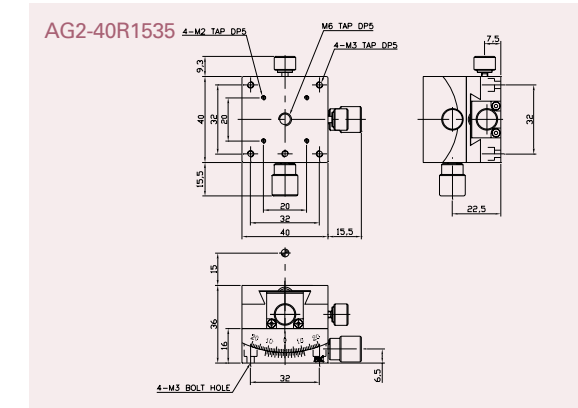


2-Axes 40/60

• Examples of model number formation

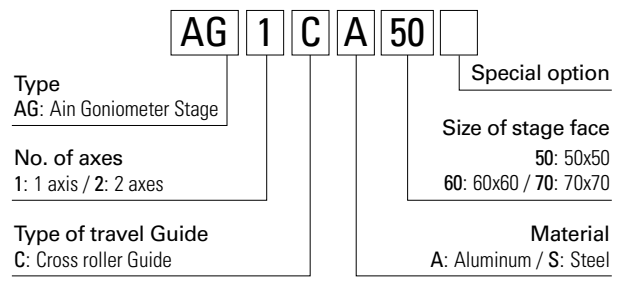


Model no.	AG2-40R1535	AG2-40R3551	AG2-60R5084
Stage surface (mm)	40x40	40x40	60x60
Rotation center (mm)	15	34	50
Travel range	±15°		
Resolution (mm)	0.1°/Vernier		
Travel guide	Dovetail type, Worm & Gear		
Material	Brass		Aluminum
Load capacity (kg/f)	2.8		5
Weight (kg)	0.4		0.44



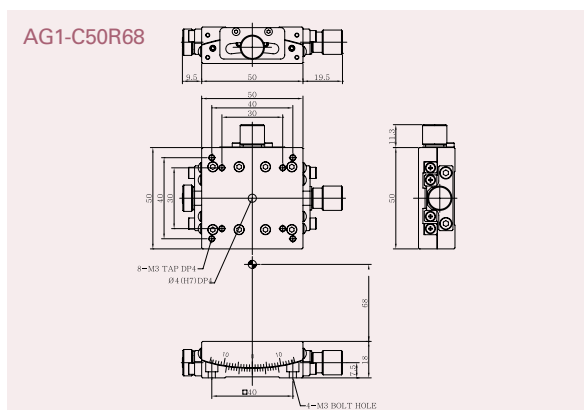
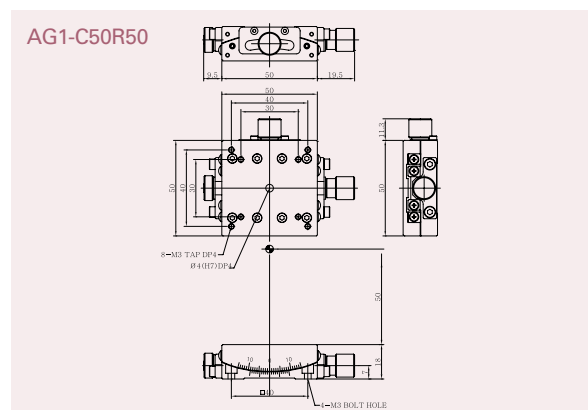
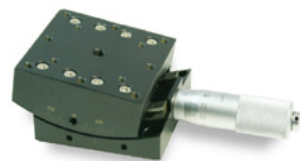
1-Axis C50

• Examples of model number formation



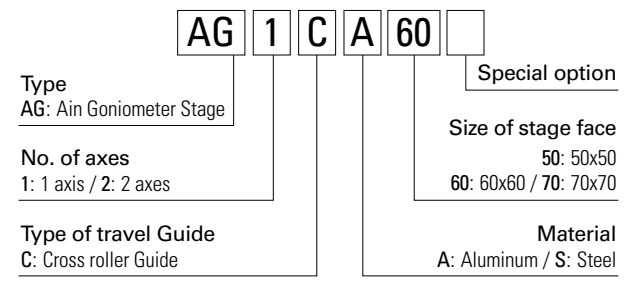
Model no.	AG1-C50R50	AG1-C50R68
Stage surface (mm)	50x50	
Rotation center (mm)	50	68
Travel range	$\pm 10^\circ$	$\pm 8^\circ$
Rotation angle	$\approx 1.56^\circ$	$\approx 1.20^\circ$
Resolution (mm)	0.1°/Vernier	
Travel guide	Crossed roller bearing	
Material	Aluminum	
Load capacity (kg/f)	3	
Weight (kg)	0.23	

- Worm screws are used, without applying the cross roller guides using a high-precision micrometer available products are also available to control.
- Microhead direction can be attached L, R, C.
- When acting as micro stroke $\pm 3^\circ$.



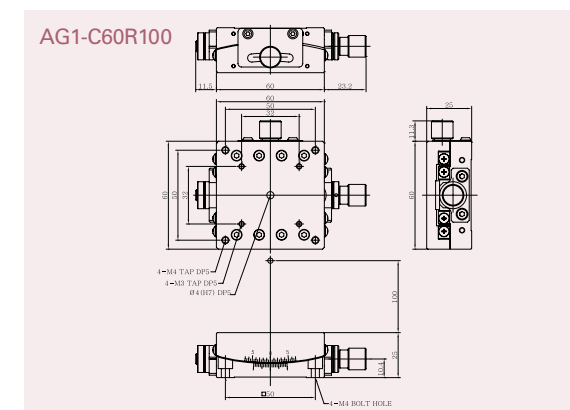
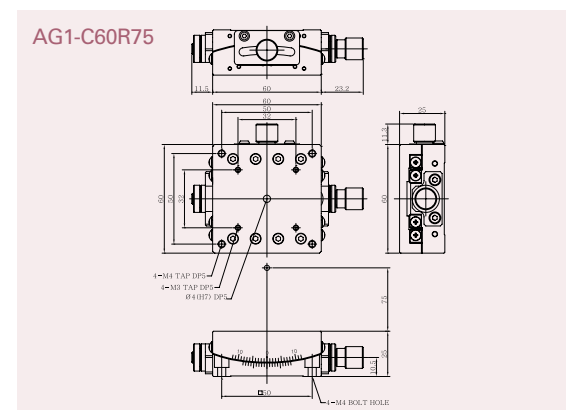
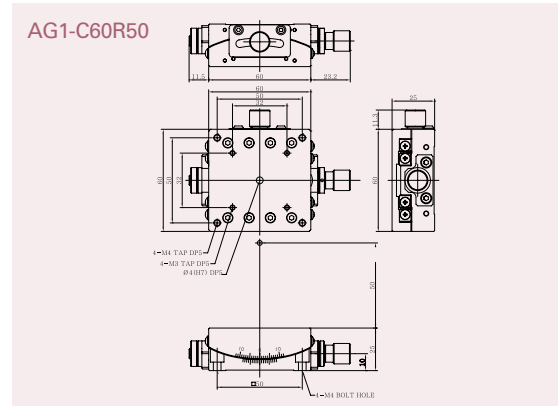
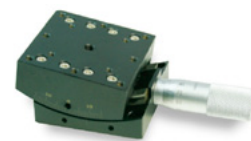
1-Axis C60

• Examples of model number formation



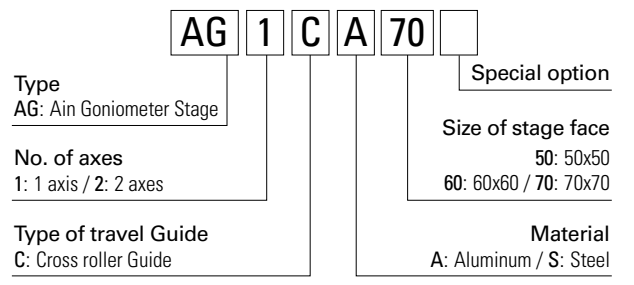
Model no.	AG1-C60R50	AG1-C60R75	AG1-C60R100
Stage surface (mm)	60x60		
Rotation center (mm)	50	75	100
Travel range	$\pm 10^\circ$	$\pm 8^\circ$	$\pm 5^\circ$
Rotation angle	$\approx 2.25^\circ$	$\approx 1.60^\circ$	$\approx 1.25^\circ$
Resolution (mm)	0.1°/Vernier		
Travel guide	Crossed roller bearing		
Material	Aluminum		
Load capacity (kg/f)	5		
Weight (kg)	0.33		

- Worm screws are used, without applying the cross roller guides using a high-precision micrometer available products are also available to control.
- Microhead direction can be attached L, R, C.
- When acting as micro stroke $\pm 3^\circ$.



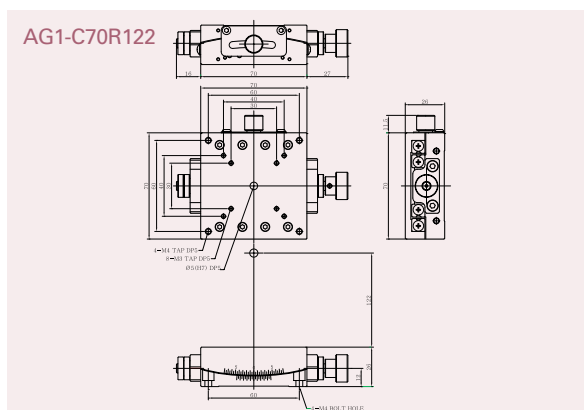
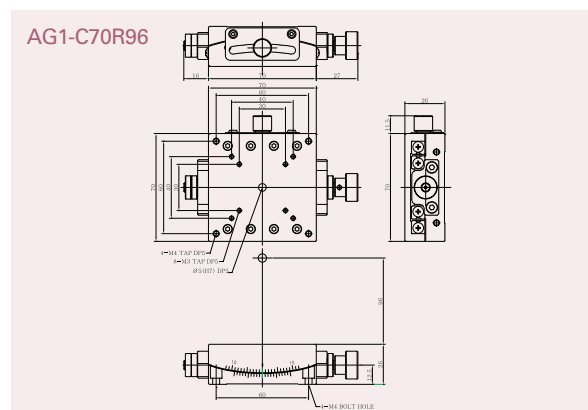
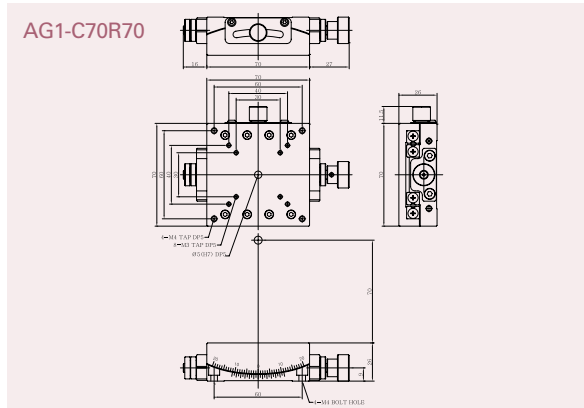
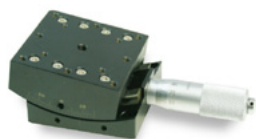
1-Axis C70

• Examples of model number formation



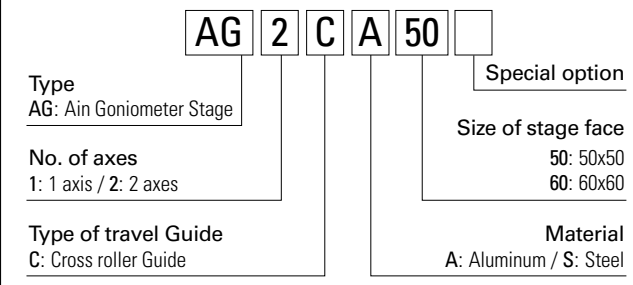
Model no.	AG1-C70R70	AG1-C70R96	AG1-C70R122
Stage surface (mm)		70x70	
Rotation center (mm)	70	96	122
Travel range	±9°	±7°	±5°
Rotation angle	≈1.53°	≈1.20°	≈0.96°
Resolution (mm)	0.1°/Vernier		
Travel guide	Crossed roller bearing		
Material	Aluminum		
Load capacity (kg/f)	5		
Weight (kg)	0.57		

- Worm screws are used, without applying the cross roller guides using a high-precision micrometer available products are also available to control.
- Microhead direction can be attached L, R, C.
- When acting as micro stroke ±3°.



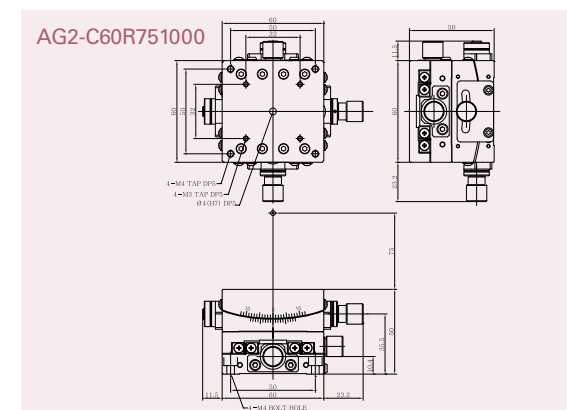
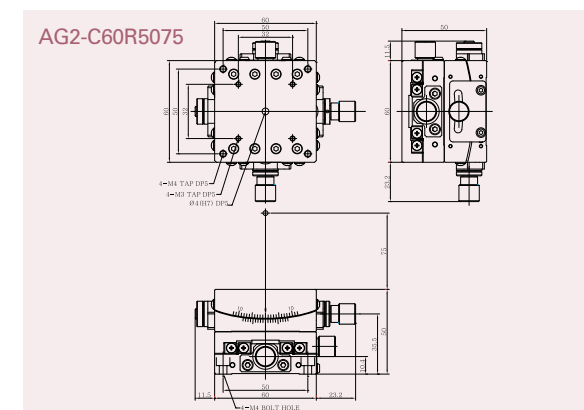
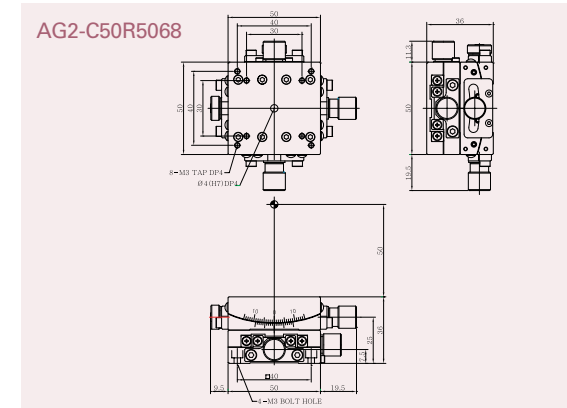
2-Axes C50/60

• Examples of model number formation



Model no.	AG2-C50R5068	AG2-C60R5075	AG2-C60R751000
Stage surface (mm)	50x50	60x60	
Rotation center (mm)	50	50	75
Travel range	(Upper)±10°, (Lower)±8°	(Upper)±10°, (Lower)±8°	(Upper)±8°, (Lower)±5°
Rotation angle	(Upper)≈1.56°, (Lower)±1.20°	(Upper)≈2.25°, (Lower)±1.60°	(Upper)≈1.60°, (Lower)±1.25°
Resolution (mm)	0.1°/Vernier		
Travel guide	Crossed roller bearing		
Material	Aluminum		
Load capacity (kg/f)	2.8	4.7	
Weight (kg)	0.46	0.66	

- Worm screws are used, without applying the cross roller guides using a high-precision micrometer available products are also available to control.
- Microhead direction can be attached L, R, C.
- When acting as micro stroke ±3°.

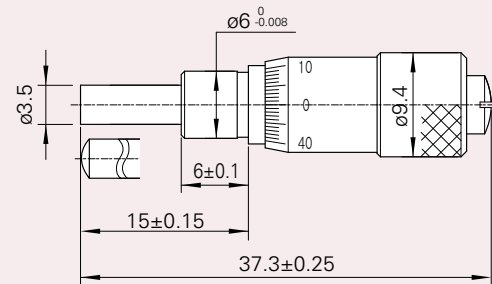


Micrometer Head 6.5mm

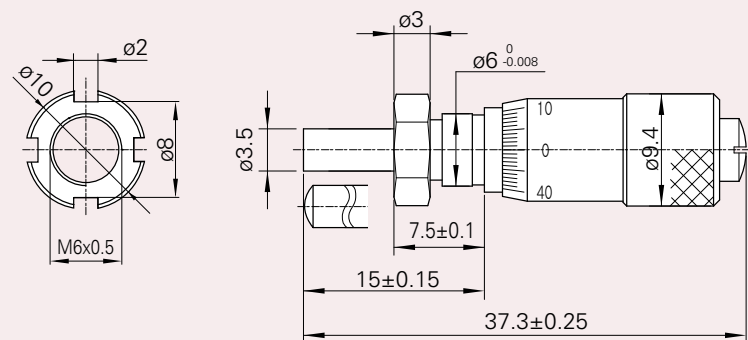


Model no.	AM-065	AM-065S	AM-065N	AM-065NS
Stroke (mm)	0-6.5			
Accuracy (μm)	5			
Minimum reading (μm)	10			
Weight (kg)	0.01		0.012	
Spindle end				
Stem				

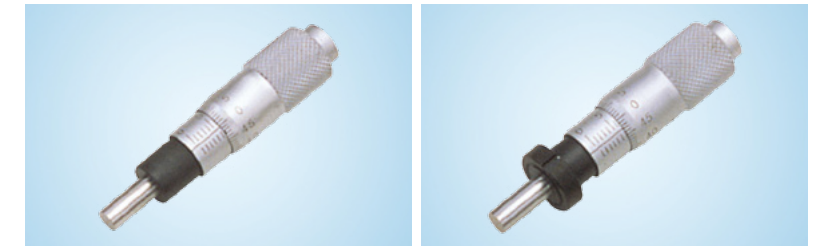
AM-065



AM-065N

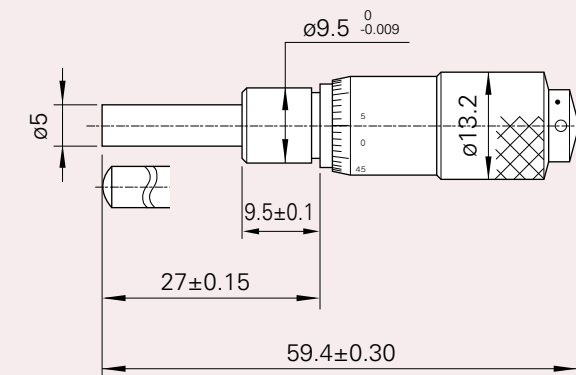


Micrometer Head 13mm

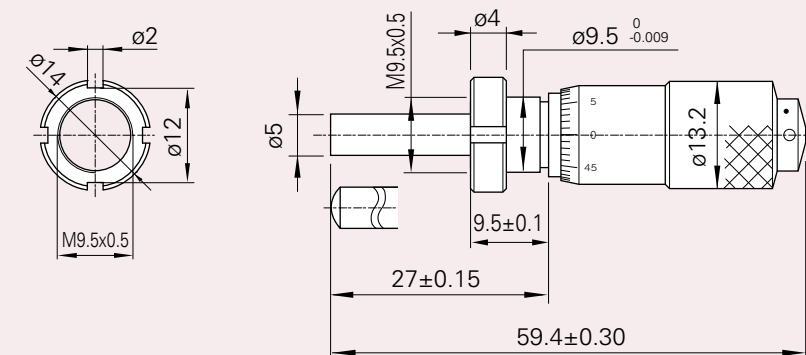


Model no.	AM-130	AM-130S	AM-130N	AM-130NS
Stroke (mm)	0-13			
Accuracy (μm)	2			
Minimum reading (μm)	10			
Weight (kg)	0.03		0.035	
Spindle end				
Stem				

AM-130



AM-130N

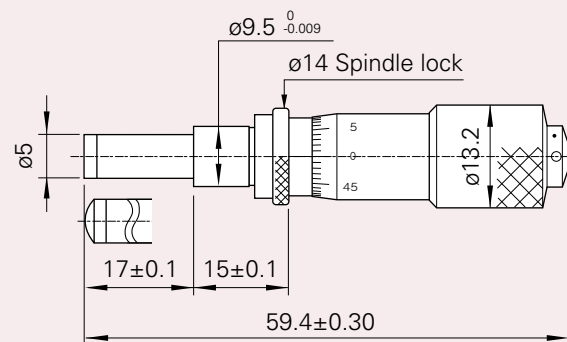


Micrometer Head 15mm

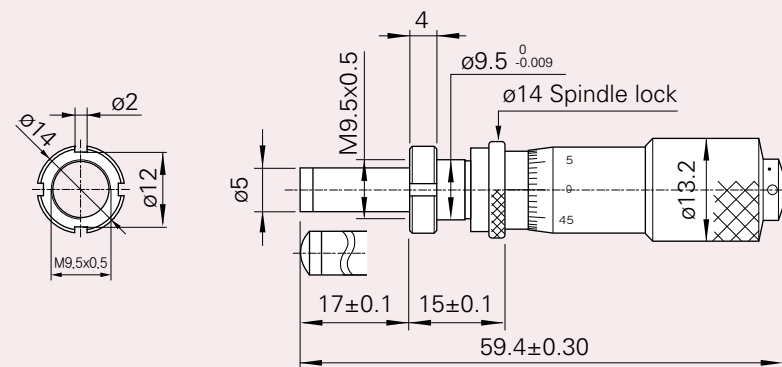


Model no.	AM-150A	AM-150AS	AM-150AN	AM-150ANS
Stroke (mm)	0-15			
Accuracy (μm)	2			
Minimum reading (μm)	10			
Weight (kg)	0.03		0.035	
Spindle end				
Stem				

AM-150C



AM-150CN

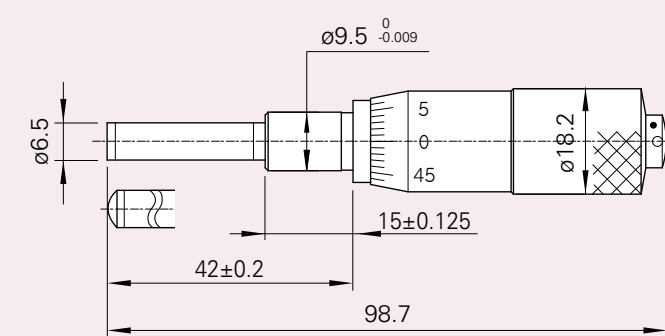


Micrometer Head 25mm

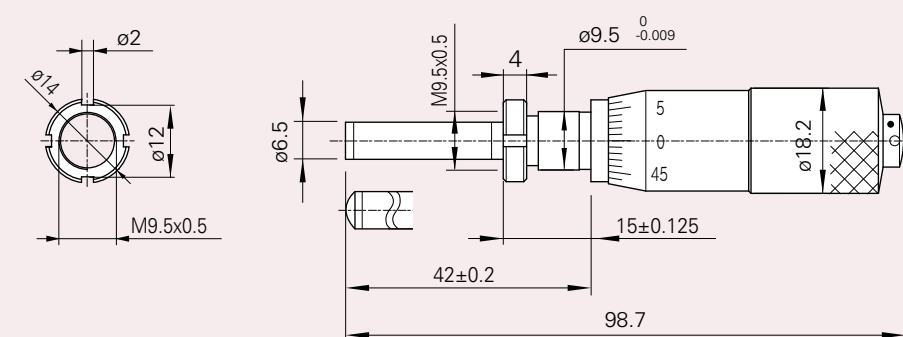


Model no.	AM-250	AM-250S	AM-250N	AM-250NS
Stroke (mm)	0-25			
Accuracy (μm)	2			
Minimum reading (μm)	10			
Weight (kg)	0.085		0.09	
Spindle end				
Stem				

AM-250



AM-250N

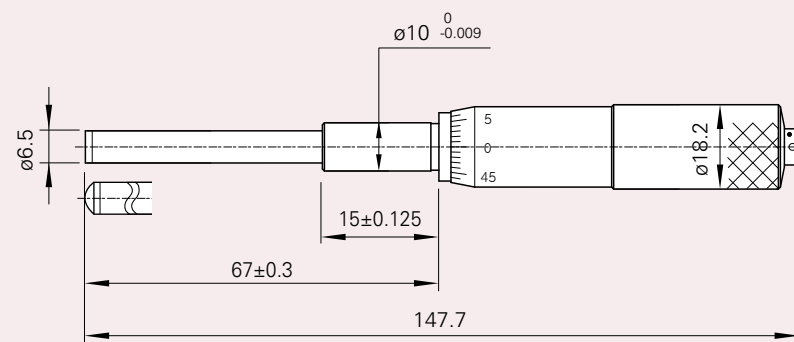


Micrometer Head 50mm

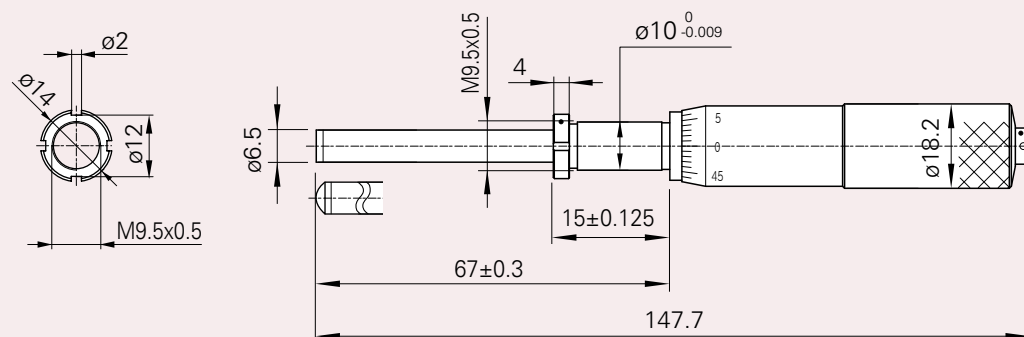


Model no.	AM-500	AM-500S	AM-500N	AM-500NS
Stroke (mm)	0-50			
Accuracy (μm)	4			
Minimum reading (μm)	10			
Weight (kg)	0.135		0.14	
Spindle end				
Stem				

AM-500



AM-500N



Digital Micrometer Head AMA310-H / AMA320-H



◀ AMA310-H



◀ AMA320-H

Feature

- Carbide measuring face.
- Painted frame.
- Data output.
- Plate tip(spherical tip optional).

SPC

SPC-A + C-02
SPC-B + C-02

(Unit: mm / inch)

Model no.	Spec	Resolution	Accuracy(tolerance range)
AMA310-H-25	0-25 / 0-1	0.001 / 0.00005	0.003 / 0.00015
AMA310-H-50	0-50 / 0-2	0.001 / 0.00005	0.003 / 0.00015
AMA320-H-25	0-25 / 0-1	0.001 / 0.00005	0.003 / 0.00015
AMA320-H-15	0-50 / 0-2	0.001 / 0.00005	0.003 / 0.00015

Digital Micrometer Head AMA710-H / AMA710A-H



◀ AMA710-H



◀ AMA710A-H

■ Feature

- Carbide measuring face.
- Painted frame.
- Data output.
- Plate tip(spherical tip optional).

SPC

SPC-A + C-02
SPC-B + C-02

(Unit: mm / inch)

Model no.	Spec	Resolution	Accuracy(tolerance range)
AMA710-H-25	0-25 / 0-1	0.001 / 0.00005	0.003 / 0.00015
AMA710-H-50	0-50 / 0-2	0.001 / 0.00005	0.003 / 0.00015
AMA710A-H-15	0-15 / 0-0.5	0.001 / 0.00005	0.003 / 0.00015