



Flowmeter Product Directory

MODEL : ALF



ALF-W-2-1-A

FEATURES

- 본 제품은 순간유량 측정과 점점, 경보(Alarm Signal) 기능을 추가한 제품으로 점점신호는 1점점과 2 점점으로 구분 한다.
- 별도의 증폭부가 필요치 않다.
- Sensor는 자기 유지 기능을(Self Holding) 갖고 있다.

SPECIFICATION

CON`N	SIZE	MAT`L	PRESS.	TEMP.	ACCURACY
FLANGE	10~500A	STEEL SUS304/316	20 kgf/cm ² (Max.)	150℃ (Max.)	FS±1.5%

ALARM CONTACT

Capacity	AC 220V 0.5A / DC 24V 0.05A
Contact Output	1 or 2 Point Alarm
Contact Type	Sensor Self Holding Form
Contact Rate	SPST Relay Output
Cable Code	0.4m (10m available)
Ambient Temp.	-20℃ ~ 80℃

MODEL CODE

ALF	-	<input type="checkbox"/>	-	<input type="checkbox"/>	-	<input type="checkbox"/>	-	<input type="checkbox"/>	DESCRIPTION
ACCESSORY		W							WITHOUT
		S							COCK VALVE
		C							CONNECTOR
MATERIAL			1						STEEL
			2						SUS 304
			3						SUS 316
			0						OTHER
CONTACT					W				WITHOUT
					1				ONE POINT ALARM
					2				TWO POINT ALARM
CONNECTION							J		JIS 10K FF (RF)
							A		ANSI 150# RF (FF)
							D		DIN PN 10/16
							O		OTHER



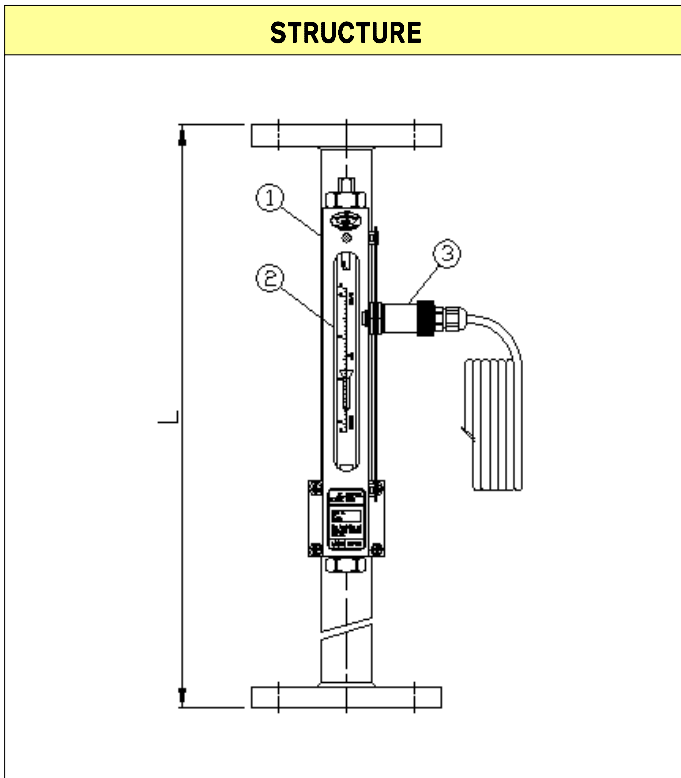
한국아토셀(주)
ATOZCELL KOREA CO.,LTD.



Flowmeter Product Directory

MODEL : ALF

FLOW RATE							
SIZE (d)		H ₂ O(m ³ /h)		AIR (Nm ³ /h) 760mmHg(A) 20°C		Length (mm)	Weight (g)
A	B	Flow Rate	One Scale	Flow Rate	One Scale	L	(W)
10A	3/8B	0.08~0.42	0.01	0.8~4	0.1	520	3000
15A	1/2B	0.18~0.96	0.02	2~9.2	0.2	520	3200
20A	3/4B	0.45~2.4	0.05	5~23	0.5	520	3700
25A	1B	0.8~4.2	0.1	8~40	1	520	4900
32A	1 1/4B	1.2~6.4	0.2	12~60	2	520	5900
40A	1 1/2B	1.8~9.4	0.2	18~90	2	520	6300
50A	2B	3.5~18.5	0.5	35~175	5	520	7400
65A	2 1/2B	6~32	1	60~300	10	540	9700
80A	3B	8~42	1	80~400	10	540	10500
100A	4B	16~80	2	160~800	20	540	12500
125A	5B	25~125	5	250~1250	50	540	17500
150A	6B	35~180	5	350~1700	50	540	21500
200A	8B	60~320	10	600~2800	50	540	28000
250A	10B	90~480	10	900~5000	100	540	40000
300A	12B	160~820	20	1600~7800	200	540	47000
350A	14B	200~1000	20	2000~9500	200	540	57000
400A	16B	300~1500	50	3000~14500	500	540	75000
450A	18B	400~2000	50	4000~19000	500	540	90000
500A	20B	500~2500	50	5000~24000	500	540	100000



PART LIST

NO	NAME	MATERIAL		
		NO.1	NO.2	NO.3
1	Body	SPP	SUS304	SUS316
2	Indicator	BSBM	SUS304	SUS316
3	Sensor	AL(MFS. PACKAGE)		

