



Flowmeter Product Directory

MODEL : ALW



ALW-W-1-1-J

FEATURES

- 본 제품은 순간유량 측정과 점점, 경보(Alarm Signal) 기능을 추가한 제품으로 점점신호는 1점점과 2 점점으로 구분 한다.
- 별도의 증폭부가 필요치 않다.
- Sensor는 자기 유지 기능을(Self Holding) 갖고 있다.

SPECIFICATION

CON`N	SIZE	MAT`L	PRESS.	TEMP.	ACCURACY
WAFER	25-500A	STEEL SUS304/316	20 kgf/cm ² (Max.)	150℃ (Max.)	FS±1.5%

ALARM CONTACT

Capacity	AC 220V 0.5A / DC 24V 0.05A
Contact Output	1 or 2 Point Alarm
Contact Type	Sensor Self Holding Form
Contact Rate	SPST Relay Output
Cable Code	0.4m (10m available)
Ambient Temp.	-20℃ ~ 80℃

MODEL CODE

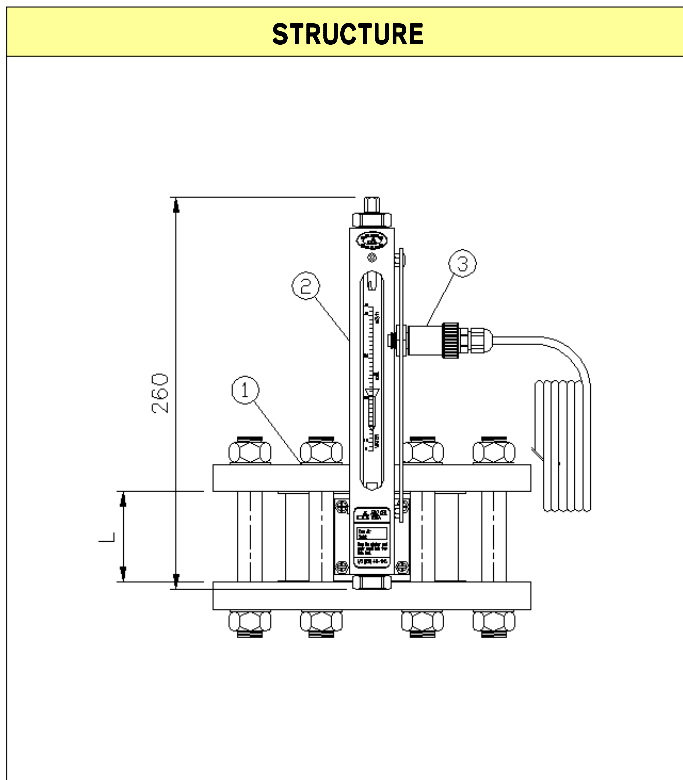
ALW	-	<input type="checkbox"/>	-	<input type="checkbox"/>	-	<input type="checkbox"/>	-	<input type="checkbox"/>	DESCRIPTION
ACCESSORY		W							WITHOUT
		S							COCK VALVE
		C							CONNECTOR
MATERIAL			1						STEEL
			2						SUS 304
			3						SUS 316
			0						OTHER
CONTACT						W			WITHOUT
						1			ONE POINT ALARM
						2			TWO POINT ALARM
CONNECTION							J		JIS 10K
							A		ANSI 150#
							D		DIN PN10/16
							O		OTHER



Flowmeter Product Directory

MODEL : ALW

FLOW RATE						
SIZE (d)		H ₂ O(m ³ /h)		AIR (Nm ³ /h) 760mmHg(A) 20°C		Length (mm)
A	B	Flow Rate	One Scale	Flow Rate	One Scale	L
25A	1B	0.8~4.2	0.1	8~40	1	60
32A	11/4B	1.2~6.4	0.2	12~60	2	60
40A	11/2B	1.8~9.4	0.2	18~90	2	60
50A	2B	3.5~18.5	0.5	35~175	5	60
65A	21/2B	6~32	1	60~300	10	60
80A	3B	8~42	1	80~400	10	60
100A	4B	16~80	2	160~800	20	60
125A	5B	25~125	5	250~1250	50	60
150A	6B	35~180	5	350~1700	50	60
200A	8B	60~320	10	600~2800	50	60
250A	10B	90~480	10	900~5000	100	60
300A	12B	160~820	20	1600~7800	200	60
350A	14B	200~1000	20	2000~9500	200	80
400A	16B	300~1500	50	3000~14500	500	80
450A	18B	400~2000	50	4000~19000	500	80
500A	20B	500~2500	50	5000~24000	500	80



PART LIST

NO	NAME	MATERIAL		
		NO.1	NO.2	NO.3
1	Body	SPP	SUS304	SUS316
2	Indicator	BSBM	SUS304	SUS316
3	Sensor	AL(MFS. PACKAGE)		

