



# Flowmeter Product Directory

MODEL : APS-AR



APS-4-2-8A-1

## FEATURES

- 본 제품은 순간유량 측정과 접점, 경보(Alarm Signal) 기능을 추가한 제품으로 점점신호는 1점점과 2 점점으로 구분 한다.
- 별도의 증폭부가 필요치 않다.
- Sensor는 자기 유지 기능을(Self Holding) 갖고 있다.
- 구조가 간단하여 수리나 점검이 쉽다.

## SPECIFICATION

CON`N	SIZE	MAT`L	PRESS.	TEMP.	ACCURACY
SCREW	8A-15A	SUS304 SUS316	10 kgf/cm <sup>2</sup> (Max.)	120°C (Max.)	FS±1.5%

## ALARM CONTACT

Capacity	AC 220V 0.5A / DC 24V 0.05A
Contact Output	1 or 2 Point Alarm
Contact Type	Sensor Self Holding Form
Contact Rate	SPST Relay Output
Cable Code	0.4m (10m available)
Ambient Temp.	-20°C ~ 80°C

## MODEL CODE

APS	-	□	-	□	-	□	-	□	DESCRIPTION	
FLOW DIRECTION		4							BOTTOM REAR-TOP REAR	
MATERIAL				2					SUS 304	
				3					SUS 316	
				5					PTFE	
				0					OTHER	
CONNECTION						8A			PT 1/4" (Fe mail, mail)	
						10A				PT 3/8" "
						15A				PT 1/2" "
						0				OTHER
CONTACT								W	WITHOUT	
								1	ONE POINT ALARM	
								2	TWO POINT ALARM	



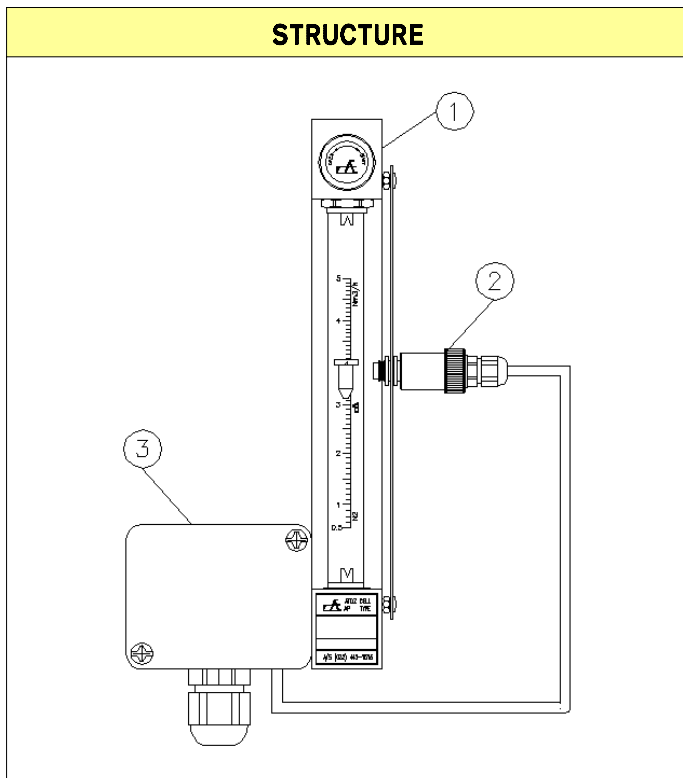
한국아토셀(주)  
ATOZCELL KOREA CO.,LTD.



# Flowmeter Product Directory

MODEL : APS-AR

FLOW RATE								
DIVIDE SIZE(d) / S		STANDARD	GENERAL		WEIGHT	LIMIT	LENGTH	
		H <sub>2</sub> O	LIQUID (L/h)	AIR ( NL/h )	kg	kgf/cm <sup>2</sup>	NO	mm
8A (1/4B)	M18	0.05 - 0.5 l/min	2-20 } 10-100	30 - 300	0.6	10	A	35
		0.1 - 1 l/min		60 - 600			B	20
		0.15 - 1.5 l/min		100 - 1000			C	210
		10 - 100 l/h		150 - 1500			D	235
10A (3/8B)	M25	0.2 - 2 l/min	10-100 } 40-400	150 - 1500	1.2	8	E	30
		0.4 - 4 l/min		200 - 2000			A	45
		20 - 200 l/h		300 - 3000			B	25
		30 - 300 l/h		400 - 4000			C	220
		40 - 400 l/h		500 - 5000			D	260
15A (1/2B)	M30	1 - 10 l/min	40-400 } 100-1000	500 - 5000	1.9	8	E	30
		50 - 500 l/h		600 - 6000			A	55
		80 - 800 l/h		800 - 8000			B	30
		100 - 1000 l/h		1000 - 10000			C	250
							D	300
							E	50



### PART LIST

NO	NAME	MATERIAL		
		NO.1	NO.2	NO.3
1	Indicator	SPP	SUS304	SUS316
2	Cable Sensor	AL(MFS. PACKAGE)		
3	Contact Room	ABS(MFS. PACKAGE)		

