



Flowmeter Product Directory

MODEL : APC



APC-1-2-15A-1

FEATURES

- 본 제품은 순간유량 측정과 점점, 경보(Alarm Signal) 기능을 추가한 제품으로 점점신호는 1점점과 2 점점으로 구분 한다.
- 별도의 증폭부가 필요치 않다.
- Sensor는 자기 유지 기능을(Self Holding) 갖고 있다.
- 구조가 간단하여 수리나 점검이 쉽다.

SPECIFICATION

CON`N	SIZE	MAT`L	PRESS.	TEMP.	ACCURACY
SCREW	8A-15A	SUS304/316 PVC/PTFE	10 kgf/cm ² (Max.)	120℃ (Max.)	FS±1.5%

ALARM CONTACT

Capacity	AC 220V 0.5A / DC 24V 0.05A
Contact Output	1 or 2 Point Alarm
Contact Type	Sensor Self Holding Form
Contact Rate	SPST Relay Output
Cable Code	0.4m (10m available)
Ambient Temp.	-20℃ ~ 80℃

MODEL CODE

APC	-	□	-	□	-	□	-	□	DESCRIPTION
FLOW DIRECTION		1							BOTTOM -TOP
MATERIAL				2					SUS 304
				3					SUS 316
				4					PVC
				5					PTFE
				0					OTHER
CONNECTION						8A			PT 1/4" (Fe mail, mail)
						10A			PT 3/8" "
						15A			PT 1/2" "
						0			OTHER
CONTACT								W	WITHOUT
								1	ONE POINT ALARM
								2	TWO POINT ALARM



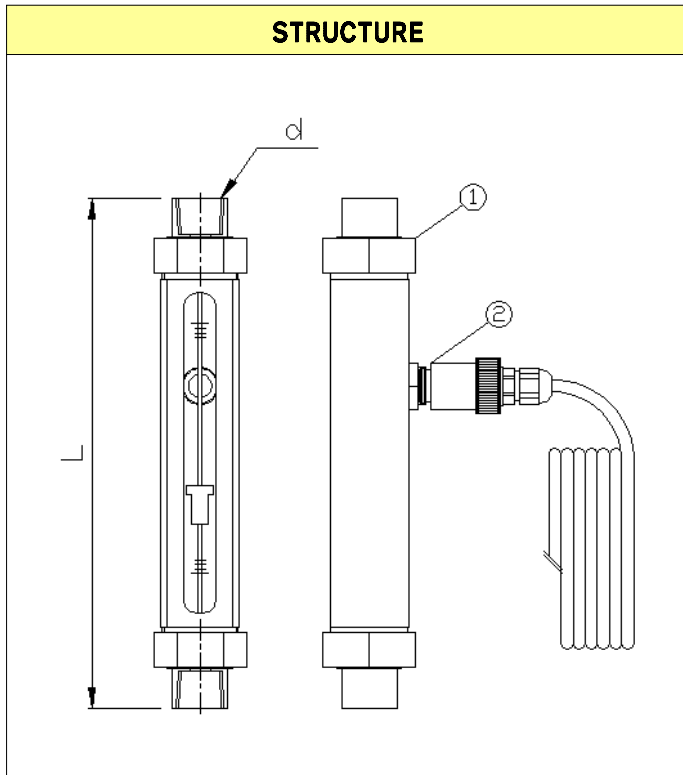
한국아토셀(주)
ATOZCELL KOREA CO.,LTD.



Flowmeter Product Directory

MODEL : APC

FLOW RATE						
DIVIDE SIZE(d)		STANDARD	GENERAL		LIMIT	LENGTH
		H ₂ O	LIQUID (L/h)	AIR (NL/h)	kgf/cm ²	L (mm)
8A	1/4B	0.05-0.5 l/min	2-20 } 10-100	30-300	10	220
		0.1-1 l/min		60-600		
		0.15-1.5 l/min		100-1000		
		10-100 l/h		150-1500		
10A	3/8B	0.2-2 l/min	10-100 } 40-400	150-1500	8	220
		0.4-4 l/min		200-2000		
		20-200 l/h		300-3000		
		30-300 l/h		400-4000		
		40-400 l/h		500-5000		
15A	1/2B	1-10 l/min	40-400 } 100-1000	500-5000	8	220
		50-500 l/h		600-6000		
		80-800 l/h		800-8000		260
		100-1000 l/h		1000-10000		



PART LIST

NO	NAME	MATERIAL		
		NO.2,3	NO.4,5	NO.O
1	Indicator	SUS304/316	PVC/PTFE	OTHER
2	Cable Sensor	AL(MFS. PACKAGE)		

