



# Flowmeter Product Directory

MODEL : ATH-5



ATH-5-1-J-W

## FEATURES

- 오수, 폐수 및 불투명 유체 측정에 적합 하도록 설계 되어 있다.
- 투명한 지시부를 통해 직접적으로 유량 관찰 및 측정을 할 수 있다.
- 용도에 따라 Alarm Switch(On,Off)를 부가 할 수 있다.

## SPECIFICATION

| CON`N  | SIZE     | MAT`L  | PRESS.           | TEMP.       | ACCURACY    |
|--------|----------|--------|------------------|-------------|-------------|
| FLANGE | 15A-200A | STEEL  | MAX<br>10kgf/cm2 | MAX<br>120℃ | FS<br>±2.0% |
|        |          | SUS304 |                  |             |             |
|        |          | SUS316 |                  |             |             |

## MODEL CODE

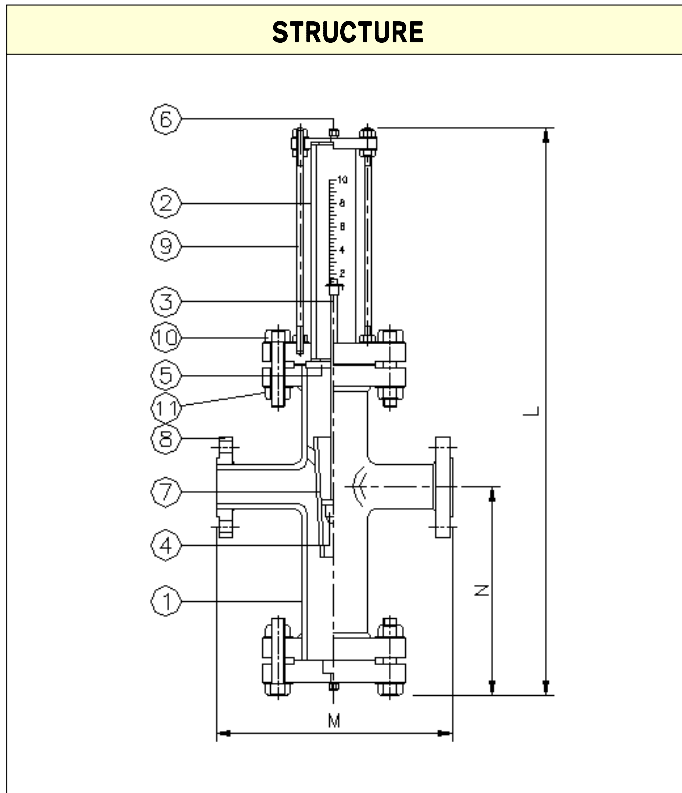
| ATH            | - | <input type="checkbox"/> | - | <input type="checkbox"/> | - | <input type="checkbox"/> |   |  | DESCRIPTION       |
|----------------|---|--------------------------|---|--------------------------|---|--------------------------|---|--|-------------------|
| FLOW DIRECTION |   | 5                        |   |                          |   |                          |   |  | SIDE - SIDE       |
| MATERIAL       |   |                          |   | 1                        |   |                          |   |  | STEEL             |
|                |   |                          |   | 2                        |   |                          |   |  | SUS304            |
|                |   |                          |   | 3                        |   |                          |   |  | SUS316            |
|                |   |                          |   | 4                        |   |                          |   |  | PVC               |
|                |   |                          |   | 0                        |   |                          |   |  | OTHER             |
| CONNECTION     |   |                          |   |                          |   | J                        |   |  | JIS 10K RF (FF)   |
|                |   |                          |   |                          |   | A                        |   |  | ANSI 150# RF (FF) |
|                |   |                          |   |                          |   | D                        |   |  | DIN PN10/16       |
|                |   |                          |   |                          |   | 0                        |   |  | OTHER             |
| CONTACT        |   |                          |   |                          |   |                          | W |  | WITHOUT           |
|                |   |                          |   |                          |   |                          | 1 |  | ONE POINT ALARM   |



# Flowmeter Product Directory

MODEL : ATH-5

| FLOW RATE               |  |                            |               |                          |                              |     |                                 |     |                |     |                |     |     |
|-------------------------|--|----------------------------|---------------|--------------------------|------------------------------|-----|---------------------------------|-----|----------------|-----|----------------|-----|-----|
| DIVIDE<br>Float<br>Size | STANDARD<br>H <sub>2</sub> O (m <sup>3</sup> /h) | GENERAL                    |               |                          | LOSS<br>(mmH <sub>2</sub> O) |     | LIMIT<br>(kgf/cm <sup>2</sup> ) |     | WEIGHT<br>(kg) |     | LENGTH<br>(mm) |     |     |
|                         |  | LIQUID (m <sup>3</sup> /h) |               | AIR (Nm <sup>3</sup> /h) | H <sub>2</sub> O             | AIR | SUS                             | PVC | SUS            | PVC | M              | N   | L   |
|                         |  | SUS304                     | SUS304<br>PVC | SUS304                   |                              |     |                                 |     |                |     |                |     |     |
| 15A                     | 0.1 - 1  | 0.02 - 0.2                 | 0.05 - 0.5    | 0.6 - 6                  | 800                          | 500 | 10                              | 3   | 6              | 2   | 150            | 180 | 440 |
|                         |  | 0.2 - 2                    | 0.15 - 1.5    | 3 - 30                   |                              |     |                                 |     |                |     |                |     |     |
| 20A                     | 0.2 - 2  | 0.08 - 0.8                 | 0.1 - 1       | 1.6 - 16                 | 800                          | 500 | 10                              | 3   | 7              | 2   | 180            | 180 | 440 |
|                         |  | 0.35 - 3.5                 | 0.25 - 2.5    | 5 - 50                   |                              |     |                                 |     |                |     |                |     |     |
| 25A                     | 0.4 - 4  | 0.1 - 1                    | 0.1 - 1       | 2 - 20                   | 800                          | 500 | 10                              | 3   | 10             | 2.5 | 200            | 190 | 460 |
|                         |  | 0.6 - 6                    | 0.4 - 4       | 9 - 90                   |                              |     |                                 |     |                |     |                |     |     |
| 32A                     | 0.6 - 6  | 0.1 - 1                    | 0.1 - 1       | 2 - 20                   | 800                          | 500 | 9                               | 3   | 12             | 3   | 250            | 200 | 510 |
|                         |  | 1 - 10                     | 0.8 - 8       | 15 - 150                 |                              |     |                                 |     |                |     |                |     |     |
| 40A                     | 0.8 - 8  | 0.2 - 2                    | 0.2 - 2       | 4 - 40                   | 800                          | 500 | 9                               | 3   | 13             | 3   | 250            | 200 | 510 |
|                         |  | 1.5 - 15                   | 1.2 - 12      | 20 - 200                 |                              |     |                                 |     |                |     |                |     |     |
| 50A                     | 1.5 - 15   | 0.5 - 5                    | 0.5 - 5       | 6 - 60                   | 800                          | 500 | 9                               | 3   | 16             | 5   | 280            | 240 | 570 |
|                         |  | 2.5 - 25                   | 1.5 - 15      | 40 - 400                 |                              |     |                                 |     |                |     |                |     |     |
| 65A                     | 2.5 - 25   | 0.8 - 8                    | 1.2 - 12      | 10 - 100                 | 900                          | 550 | 8                               | 3   | 23             | 6.5 | 350            | 240 | 570 |
|                         |  | 4 - 40                     | 3 - 30        | 60 - 600                 |                              |     |                                 |     |                |     |                |     |     |
| 80A                     | 4 - 40   | 1.2 - 12                   | 1.5 - 15      | 12 - 120                 | 900                          | 550 | 8                               | 2   | 30             | 10  | 400            | 260 | 610 |
|                         |  | 5 - 50                     | 4 - 40        | 80 - 800                 |                              |     |                                 |     |                |     |                |     |     |
| 100A                    | 6 - 60   | 2.5 - 25                   | 3 - 30        | 25 - 250                 | 1000                         | 600 | 8                               | 2   | 45             | 14  | 500            | 300 | 700 |
|                         |  | 9 - 90                     | 7 - 70        | 120 - 1200               |                              |     |                                 |     |                |     |                |     |     |
| 125A                    | 10 - 100   | 4 - 40                     |               | 40 - 400                 | 1200                         | 750 | 7                               |     | 60             |     | 550            | 320 | 790 |
|                         |  | 15 - 150                   |               | 200 - 2000               |                              |     |                                 |     |                |     |                |     |     |
| 150A                    | 14 - 140   | 6 - 60                     |               | 60 - 600                 | 1200                         | 750 | 7                               |     | 80             |     | 600            | 340 | 870 |
|                         |  | 20 - 200                   |               | 300 - 3000               |                              |     |                                 |     |                |     |                |     |     |
| 200A                    | 20 - 200   | 10 - 100                   |               | 100 - 1000               | 1500                         | 900 | 7                               |     | 130            |     | 700            | 340 | 870 |
|                         |  | 28 - 280                   |               | 400 - 4000               |                              |     |                                 |     |                |     |                |     |     |



| PART LIST |           |                             |        |        |      |
|-----------|-----------|-----------------------------|--------|--------|------|
| NO        | NAME      | MATERIAL                    |        |        |      |
|           |           | NO.1                        | NO.2   | NO.3   | NO.4 |
| 1         | Body      | SPP                         | SUS304 | SUS316 | PVC  |
| 2         | Sight     | ACRYL, PC, GLASS            |        |        |      |
| 3         | Index     | SUS304                      | SUS316 | PVC    |      |
| 4         | Float     | SUS304                      | SUS316 | PVC    |      |
| 5         | Packing   | NBR, VITON, SILICON, TEFLON |        |        |      |
| 6         | Vent Plug | SUS304                      | SUS316 | SUS316 | PVC  |
| 7         | Tube      | SUS304                      | SUS304 | SUS316 | PVC  |
| 8         | Flange    | SS400                       | SUS304 | SUS316 | PVC  |
| 9         | Stay Bolt | STEEL                       | SUS304 | SUS304 |      |
| 10        | Bolt      | STEEL                       | SUS304 | SUS304 |      |
| 11        | Nut       | STEEL                       | SUS304 | SUS304 |      |