



Flowmeter Product Directory

MODEL : ATHF



FEATURES

- 본체(Body)와 지시부(Indicator)사이에 방열판(Colling-Fin)을 장착하여 열을 방출케 하므로서 온도가 높은 불투명한 유체사용에 최적이다.
- 투명한 지시부를 통해 직접적으로 유량 관찰 및 측정을 할 수 있다.

SPECIFICATION

CON`N	SIZE	MAT`L	PRESS.	TEMP.	ACCURACY
FLANGE	15A-200A	STEEL	MAX 10kgf/cm2	MAX 180℃	FS ±2.0%
		SUS304			
		SUS316			

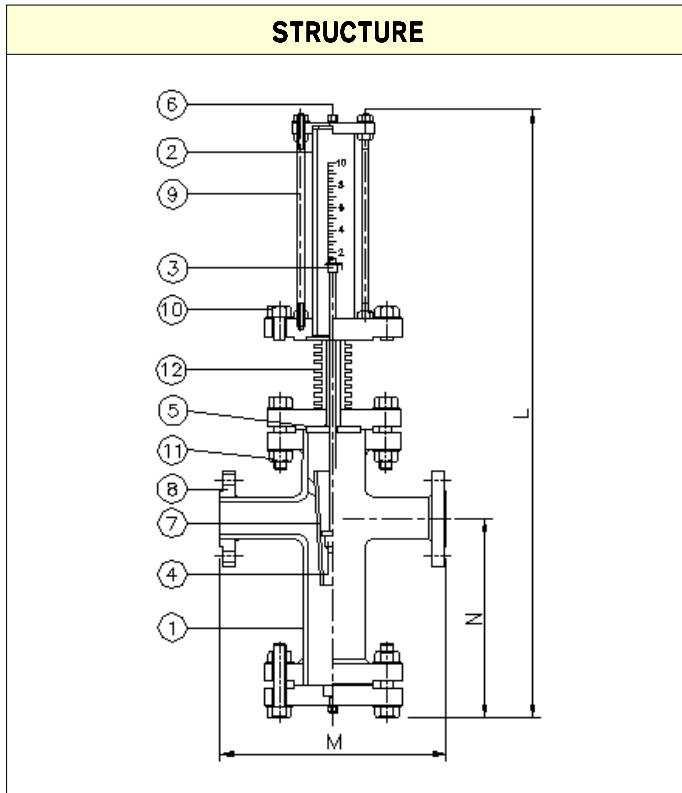
MODEL CODE										
ATHF	-	<input type="checkbox"/>	-	<input type="checkbox"/>	-	<input type="checkbox"/>			DESCRIPTION	
FLOW DIRECTION		5							SIDE - SIDE	
MATERIAL				1					STEEL	
				2					SUS304	
				3					SUS316	
				4					PVC	
				0					OTHER	
CONNECTION						J			JIS 10K RF (FF)	
						A				ANSI 150# RF (FF)
						D				DIN PN10/16
						0				OTHER
CONTACT							W		WITHOUT	
							1			ONE POINT ALARM



Flowmeter Product Directory

MODEL : ATHF

FLOW RATE													
DIVIDE Float Size	STANDARD H ₂ O (m ³ /h)	GENERAL			LOSS (mmH ₂ O)		LIMIT (kgf/cm ²)		WEIGHT (kg)		LENGTH (mm)		
		LIQUID(m ³ /h)		AIR (N ^m /h)	H ₂ O	AIR	SUS	PVC	SUS	PVC	M	N	L
		SUS304	SUS304	PVC									
15A	0.1 - 1	0.02 - 0.2	0.05 - 0.5	0.6 - 6	800	500	10	3	6	2	150	180	590
		0.2 - 2	0.15 - 1.5	3 - 30									
20A	0.2 - 2	0.08 - 0.8	0.1 - 1	1.6 - 16	800	500	10	3	7	2	180	180	590
		0.35 - 3.5	0.25 - 2.5	5 - 50									
25A	0.4 - 4	0.1 - 1	0.1 - 1	2 - 20	800	500	10	3	10	2.5	200	190	610
		0.6 - 6	0.4 - 4	9 - 90									
32A	0.6 - 6	0.1 - 1	0.1 - 1	2 - 20	800	500	9	3	12	3	250	200	660
		1 - 10	0.8 - 8	15 - 150									
40A	0.8 - 8	0.2 - 2	0.2 - 2	4 - 40	800	500	9	3	13	3	250	200	660
		1.5 - 15	1.2 - 12	20 - 200									
50A	1.5 - 15	0.5 - 5	0.5 - 5	6 - 60	800	500	9	3	16	5	280	240	720
		2.5 - 25	1.5 - 15	40 - 400									
65A	2.5 - 25	0.8 - 8	1.2 - 12	10 - 100	900	550	8	3	23	6.5	350	240	720
		4 - 40	3 - 30	60 - 600									
80A	4 - 40	1.2 - 12	1.5 - 15	12 - 120	900	550	8	2	30	10	400	260	760
		5 - 50	4 - 40	80 - 800									
100A	6 - 60	2.5 - 25	3 - 30	25 - 250	1000	600	8	2	45	14	500	300	850
		9 - 90	7 - 70	120 - 1200									
125A	10 - 100	4 - 40		40 - 400	1200	750	7		60		550	320	940
		15 - 150		200 - 2000									
150A	14 - 140	6 - 60		60 - 600	1200	750	7		80		600	340	1020
		20 - 200		300 - 3000									
200A	20 - 200	10 - 100		100 - 1000	1500	900	7		130		700	340	1020
		28 - 280		400 - 4000									



PART LIST

NO	NAME	MATERIAL			
		NO.1	NO.2	NO.3	NO.4
1	Body	SPP	SUS304	SUS316	PVC
2	Sight	ACRYL, PC, GLASS			
3	Index	SUS304	SUS316	PVC	
4	Float	SUS304	SUS316	PVC	
5	Packing	NBR, VITON, SILICON, TEFLON			
6	Vent Plug	SUS304	SUS316	SUS316	PVC
7	Tube	SUS304	SUS304	SUS316	PVC
8	Flange	SS400	SUS304	SUS316	PVC
9	Stay Bolt	STEEL	SUS304	SUS304	
10	Bolt	STEEL	SUS304	SUS304	
11	Nut	STEEL	SUS304	SUS304	
12	Cooling	SUS304			