



# Flowmeter Product Directory

MODEL : AMC



AMC-3000-3-A

## FEATURES

- 유량에 비례하는 출력을 발생시키고 현장 지시와 원격 제어가 가능하도록 설계되어 있다.
- 출력 전송은 4~20mA, 1-5V 로 발신 한다.

## SPECIFICATION(1)

CON`N	SIZE	MAT`L	PRESS.		TEMP.		ACCURACY	
			ST.	SP.	ST.	SP.	H <sub>2</sub> O	GAS
FLANGE	15A-100A	SUS	ST.	10kgf/cm <sup>2</sup>	ST.	120℃	FS	FS
SCREW	15A-65A	304/316	SP.	20kgf/cm <sup>2</sup>	SP.	200℃	±1.0%	±2.0%

## SPECIFICATION(2)

POWER SUPPLY	DC 24V
SIGNAL OUTPUT	4-20 mA DC (1-5V)
WIRING	2-WIRE SYSTEM
CABLE ENTRY	PROOF TERMINAL BOX
OUTPUT ACCURACY	FS±0.5%
AMBIENT TEMP	-10 ~80℃

## MODEL CODE

AMC	-	□	-	□	-	□	DESCRIPTION
TYPE		3000					LOCAL INDICATOR WITH ELECTRIC SIGNAL (4-20mA)
MATERIAL				2			SUS304
				3			SUS316
				0			OTHER
CONNECTION						J	JIS 10K RF (FF)
						A	ANSI 150# RF (FF)
						D	DIN PN10/16
						P	PT(Male / Female)
						N	NPT(Male / Female)
						O	OTHER



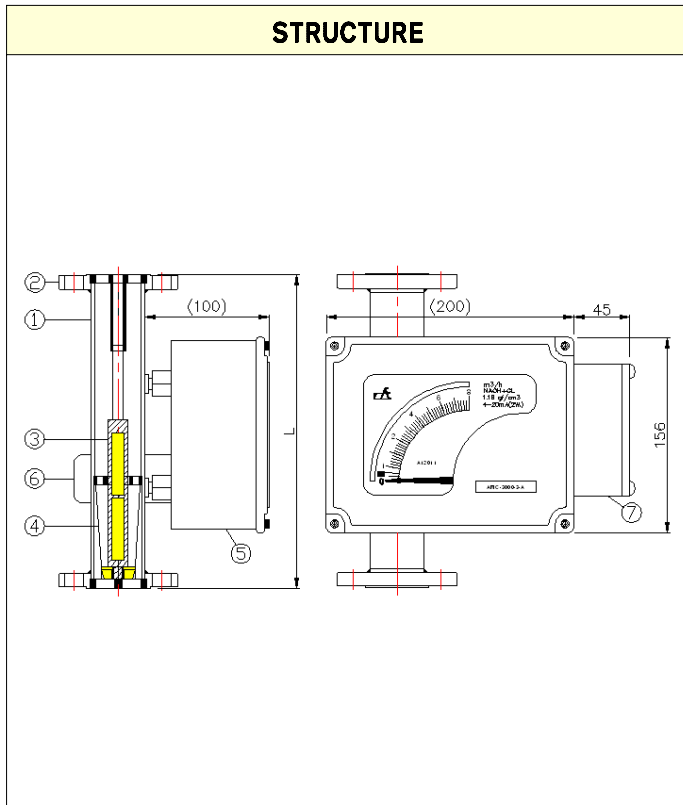
한국아토셀(주)  
ATOZCELL KOREA CO.,LTD.



# Flowmeter Product Directory

MODEL : AMC

FLOW RATE						
SIZE	DIVIDE	STANDARD	GENERAL		LOSS	LENGTH (mm)
		H <sub>2</sub> O(m <sup>3</sup> /h)	STEAM (kg/h)	AIR (Nm <sup>3</sup> /h)	mmH <sub>2</sub> O	L
15A	1/2B	0.1 - 1	3~30	0.3 - 3	500	250
				2 - 20		300
20A	3/4B	0.15 - 1.5	7~70	0.3 - 3	500	250
				3 - 30		300
25A	1B	0.35 - 3.5	10~100	1.5 - 15	500	250
				6 - 60		300
32A	1 1/4B	0.6 - 6	15~150	3 - 30	500	250
				10 - 100		300
40A	1 1/2B	1.0 - 10	25~250	4.5 - 45	700	250
				15 - 150		300
50A	2B	1.5 - 15	40~400	5 - 50	500	250
				20 - 200		300
65A	2 1/2B	2.5 - 25	60~600	9 - 90	600	250
				40 - 400		300
80A	3B	4.0 - 40	75~750	15 - 150	700	250
				70 - 700		~350
100A	4B	6.0 - 60	120~1200	20 - 200	900	250
				100 - 1000		~350



**PART LIST**

NO	NAME	MATERIAL	
		NO.2	NO.3
1	Body	SUS304	SUS316
2	Flange	SUS304	SUS316
3	Float	SUS304	SUS316
4	Taper Tube	SUS304	SUS316
5	Indicator room	MFS.PACKAGE(ADC)	
6	Measure room	MFS.PACKAGE(ADC)	
7	Terminal room	MFS.PACKAGE(ADC)	



**한국아토셀(주)**  
ATOZCELL KOREA CO.,LTD.