



Flowmeter Product Directory

MODEL : ASMA



ASMA-6-3-A-1

FEATURES

·본 제품은 순간유량 측정용(ASM)에 접점(Alarm Contact) 기능을 추가한 제품으로 접점신호는 1점점과 2 점점으로 구분 한다.

SPECIFICATION

CON`N	SIZE	MAT`L	PRESS.		TEMP.		ACCURACY	
			ST.	SP.	ST.	SP.	H ₂ O	GAS
FLANGE	15A-300A	STEEL SUS304	ST.	10kgf/cm ²	ST.	120℃	FS	FS
SCREW	15A-65A	SUS316	SP.	40kgf/cm ²	SP.	200℃	±2.5%	±3.0%

ALARM CONTACT

CAPACITY	AC 220V 0.5A / DC24V 0.05A
CONTACT OUTPUT	HIGH OR LOW SET ALARM
CONTACT TYPE	SENSOR SELF HOLDING FORM
CONTACT RATE	SPST RELAY OUTPUT
CABLE ENTRY	PF 1/2" FEMALE
AMBIENT TEMP	-10 ~80℃

MODEL CODE

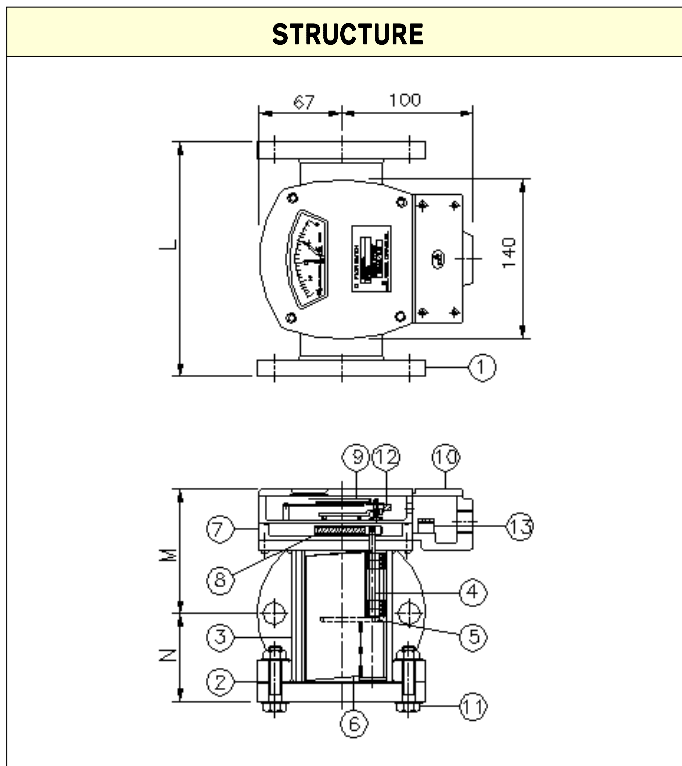
ASMA	—	<input type="checkbox"/>	—	<input type="checkbox"/>	—	<input type="checkbox"/>	—	<input type="checkbox"/>	DESCRIPTION
FLOW DIRECTION		1							BOTTOM - TOP
		5							SIDE - SIDE
		6							TOP - BOTTOM
MATERIAL			1						STEEL
			2						SUS304
			3						SUS316
			0						OTHER
CONNECTION				J					JIS 10K RF (FF)
				A					ANSI 150# RF (FF)
				D					DIN PN10/16
				P					PT(Male / Female)
				N					NPT(Male / Female)
				0					OTHER
CONTACT							1		ONE POINT ALARM
							2		TWO POINT ALARM



Flowmeter Product Directory

MODEL : ASMA

FLOW RATE								
SIZE \ DIVIDE		ALLOW RANGE			LENGTH (mm)			
		H ₂ O (m ³ /h)	AIR (Nm ³ /h) 0.5 kgf/cm ² G · 20°C	STEAM (kg/h) 3 kgf/cm ² G	M	N	L	
							FLANGE	SCREW
15A	1/2B	0.1 - 0.5	6 - 30	10 - 50	85	55	220	150
		0.4 - 2	12 - 60	20 - 100				
20A	3/4B	0.1 - 0.5	6 - 30	10 - 50	85	55	220	160
		0.4 - 2	12 - 60	20 - 100				
25A	1B	0.2 - 1	12 - 60	10 - 50	90	60	220	180
		1 - 5	30 - 150	40 - 200				
32A	1 1/4B	0.2 - 1	12 - 60	10 - 50	90	60	220	200
		1 - 5	30 - 150	40 - 200				
40A	1 1/2B	0.4 - 2	16 - 80	20 - 100	95	65	220	200
		2 - 10	60 - 300	80 - 400				
50A	2B	0.6 - 3	20 - 100	20 - 100	100	70	220	220
		3 - 15	90 - 450	120 - 600				
65A	2 1/2B	1.2 - 6	60 - 300	80 - 400	110	80	260	220
		6 - 30	180 - 900	240 - 1200				
80A	3B	1.6 - 8	120 - 600	100 - 500	110	80	300	
		8 - 40	240 - 1200	400 - 2000				
100A	4B	3 - 15	180 - 900	200 - 1000	130	100	330	
		16 - 80	400 - 2000	700 - 3500				
125A	5B	4 - 20	200 - 1000	200 - 1000	140	110	380	
		20 - 100	600 - 3000	900 - 4500				
150A	6B	6 - 30	240 - 1200		200	150	480	
		30 - 150	900 - 4500					
200A	8B	12 - 60	300 - 1500		210	180	650	
		60 - 300	1800 - 9000					
250A	10B	16 - 80	600 - 3000		230	200	680	
		80 - 400	2400 - 12000					
300A	12B	20 - 100	900 - 4500		280	250	720	
		100 - 500	3000 - 15000					



PART LIST

NO	NAME	MATERIAL		
		NO.1	NO.2	NO.3
1	Flange	SS400	SUS304	SUS316
2	Packing	NBR, EPDM, VITON, TEFLON		
3	Body	SPP	SUS304	SUS316
4	Shaft	SS	SUS304	SUS316
5	Spring	SUS304	SUS304	SUS316
6	Flapper	SS	SUS304	SUS316
7	Magnet Room	SUS304	SUS304	SUS316
8	Magnet	ALNICO		
9	Index	AL		
10	Cover	AL2		
11	Bolt Nut	STEEL	SUS304	SUS316
12	Sensor	REED S/W (PACKAGE)		
13	Terminal Box	AL2		