

Flowmeter Product Directory

MODEL : ASS



FEATURES

- 공간이 충분치 않는 곳에 설치 할 수 있도록 소형화 되어 있는 유량계로 소규격, 소유량 측정에 적합하다.
- 오일측정에 최적이다.
(식용유, 중유, 모타오일, 터빈유, 등유)

SPECIFICATION

CON'N	SIZE	MAT`L	PRESS.	TEMP.	ACCURACY
FLANGE	15A-50A	STEEL	ST 10kgf/cm ²	ST 120℃	FS.±3.0%
SCREW		SUS304	SP 40kgf/cm ²	SP 200℃	
		SUS316			

ASS-5-1-J

MODEL CODE

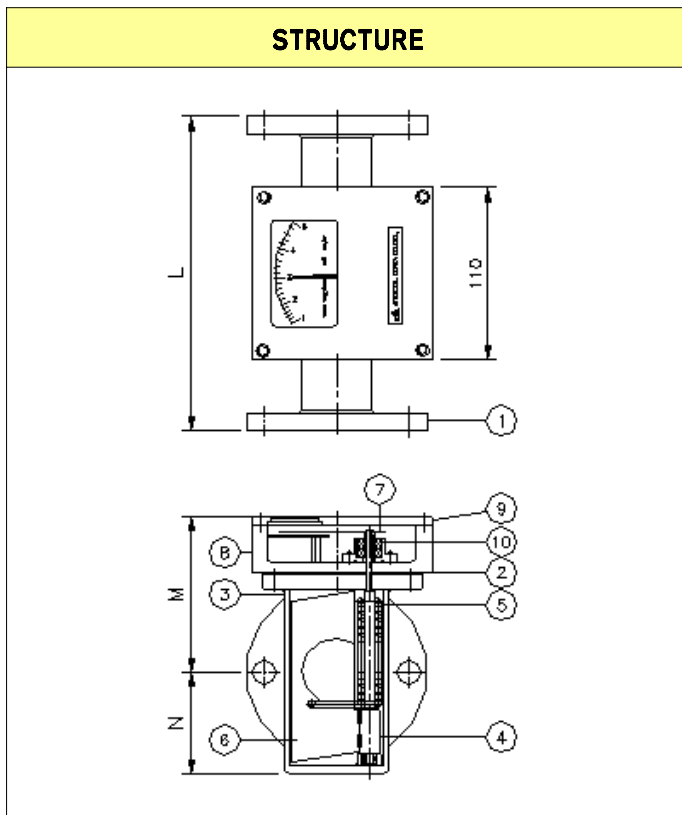
ASS	-	<input type="checkbox"/>	-	<input type="checkbox"/>	-	<input type="checkbox"/>	DESCRIPTION
FLOW DIRECTION	1						BOTTOM - TOP
	5						SIDE - SIDE
	6						TOP - BOTTOM
MATERIAL	1						STEEL
	2						SUS304
	3						SUS316
	0						OTHER
CONNECTION	J						JIS 10K RF (FF)
	A						ANSI 150# RF (FF)
	D						DIN PN10/16
	P						PT(Male / Female)
	N						NPT(Male / Female)
	O						OTHER



Flowmeter Product Directory

MODEL : ASS

FLOW RATE								
SIZE	DIVIDE	ALLOW RANGE			LENGTH (mm)			
		H ₂ O (m ³ /h)	AIR (Nm ³ /h) 0.5 kgf/cm ² G · 20°C	STEAM (kg/h) 3 kgf/cm ² G	M	N	L	
							FLANGE	SCREW
15A	1/2B	0.1 - 0.5	6 - 30	10 - 50	90 ⁺¹	30	220	150
		0.4 - 2	12 - 60	20 - 100	90 ⁻²			
20A	3/4B	0.1 - 0.5	6 - 30	10 - 50	90 ⁺¹	30	220	160
		0.4 - 2	12 - 60	20 - 100	90 ⁻²			
25A	1B	0.2 - 1	12 - 60	10 - 50	100 ⁺¹	40	220	180
		1 - 5	30 - 150	40 - 200	100 ⁻²			
32A	1 1/4B	0.2 - 1	12 - 60	10 - 50	100 ⁺¹	50	220	200
		1 - 5	30 - 150	40 - 200	100 ⁻²			
40A	1 1/2B	0.4 - 2	16 - 80	20 - 100	110 ⁺¹	50	220	200
		2 - 10	60 - 300	80 - 400	110 ⁻²			
50A	2B	0.6 - 3	20 - 100	20 - 100	120 ⁺¹	60	220	220
		3 - 15	90 - 450	120 - 600	120 ⁻²			



PART LIST

NO	NAME	MATERIAL		
		NO.1	NO.2	NO.3
1	Flange	SS400	SUS304	SUS316
2	Packing	NBR, EPDM, VITON, TEFLON		
3	Body	SPP	SUS304	SUS316
4	Shaft	SS	SUS304	SUS316
5	Spring	SUS304	SUS304	SUS316
6	Flapper	SS	SUS304	SUS316
7	Index	AL		
8	Case	AL2		
9	Cover	AL2		
10	Rotor	MF.STAND		