

Siargo Mass Flow Products – Gas Flow Meters 5000 Series

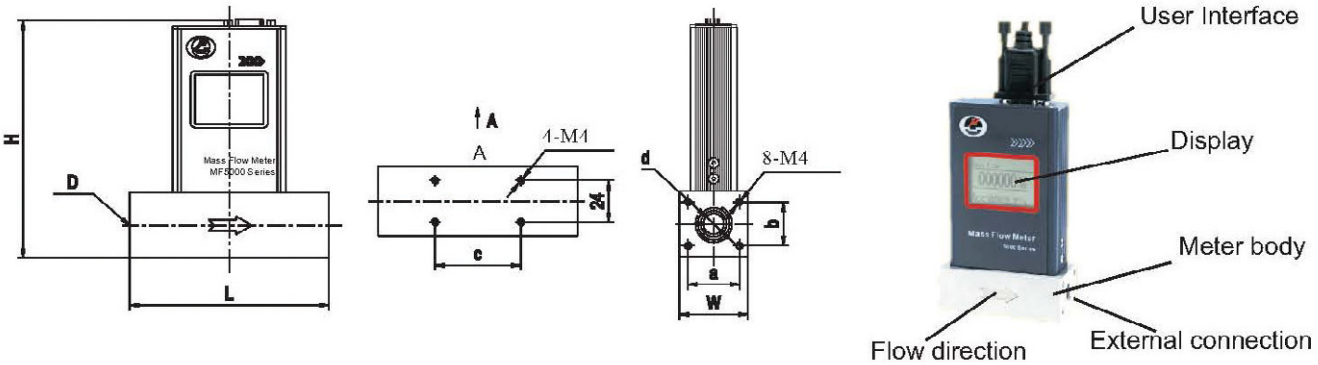


► Features

- Highly sensitive, measuring as low as 8 mm/sec, and as high as 65 m/sec with a single assembly
- Sensor directly senses mass flow using thermal mass flow principle
- Proprietary MEMS design for better reliability
- Standard 8–24V power supply
- Low pressure loss reducing energy cost. Industrial standard communication ports provide easy control



► Mechanical Dimensions



Model	DN (mm)	DN (inch)	L	H	W	d	a	b	c
AMF5003	3	1/8"	85	124	35	∅3	25	16	50
AMF5006	6	1/4"	95	127	35	∅6	25	18	50
AMF5008	8	3/8"	105	134	35	∅8	25	22	50
AMF5012	12	1/2"	116	137	40	∅12	30	25	50
AMF5019	19	3/4"	152	149	40	∅19	30	40	70

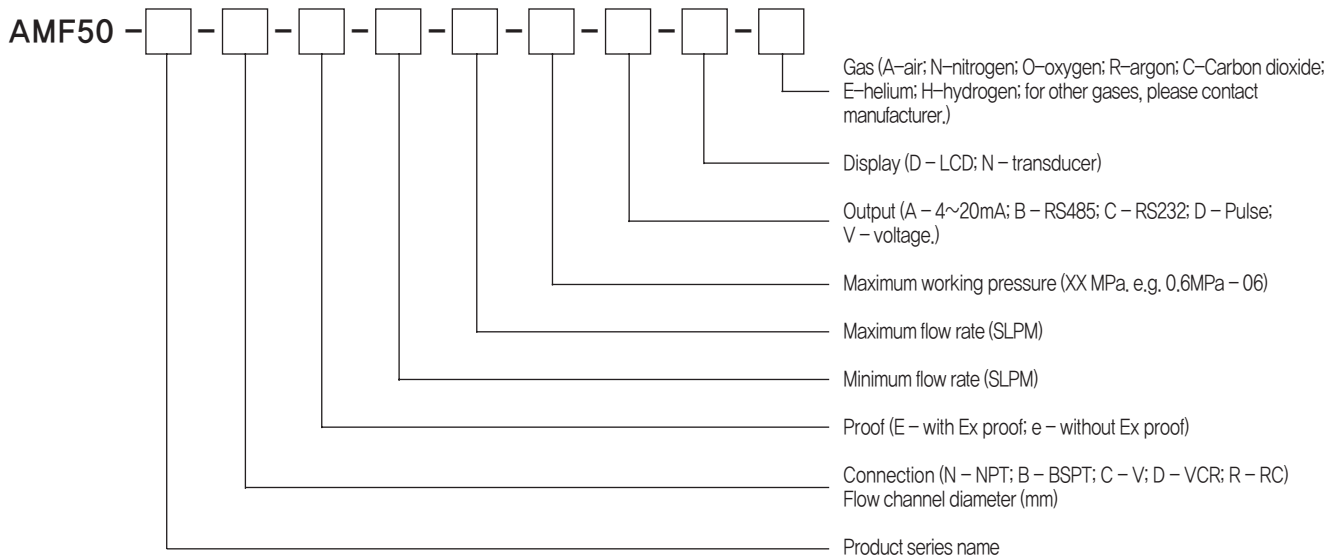
► Specifications

Accuracy ±(1.5+0.2FS)%, conventional
Flow channel 1.0 ~ 19 mm
Display Flow and accumulated flow
Calibration 20°C ; 101.325 kPa.

Flow Range 0.01 ~ 65 m/sec
Environment Temperature : -20 ~ 65°C ; Humidity : ≤95%RH.
Interface 4~20mA ; RS485 ; RS232 ; 0~5V ; Pulse

► Product Selection

In addition to the models listed, we can also provide customized products that tailored to customers' very needs. For further information, please contact manufacturer. The meters are made by referencing to : ISO14511; CE Directives : EN61000-6-1 EN61000-6-2



► Typical flow range:

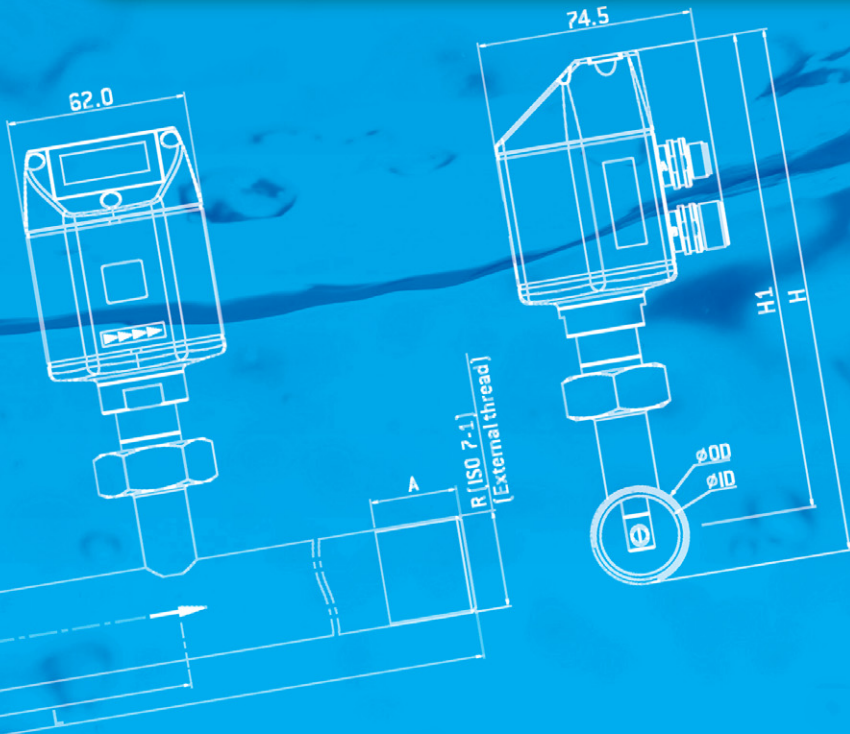
Model	DN (mm)	DN (inch)	Max Working Pressure (MPa)	Flow range			
				sccm	SLPM	SCFM	NCMH
AMF5003	3	1/8"	3.0	15-1500	0.15-15		
AMF5006	6	1/4"	3.0		0.5-50	0.02-2	0.035-3.5
AMF5008	8	3/8"	3.0		1.2-120	0.045-4.5	0.075-7.5
AMF5012	12	1/2"	3.0		3-300	0.1-10	0.17-17
AMF5019	19	3/4"	3.0		10-1000	0.35-35	0.6-60

★ 본 카탈로그에 기재된 사양, 외형, 치수는 제품 개발을 위하여 변경 될 수 있습니다.

Mass Flowmeter

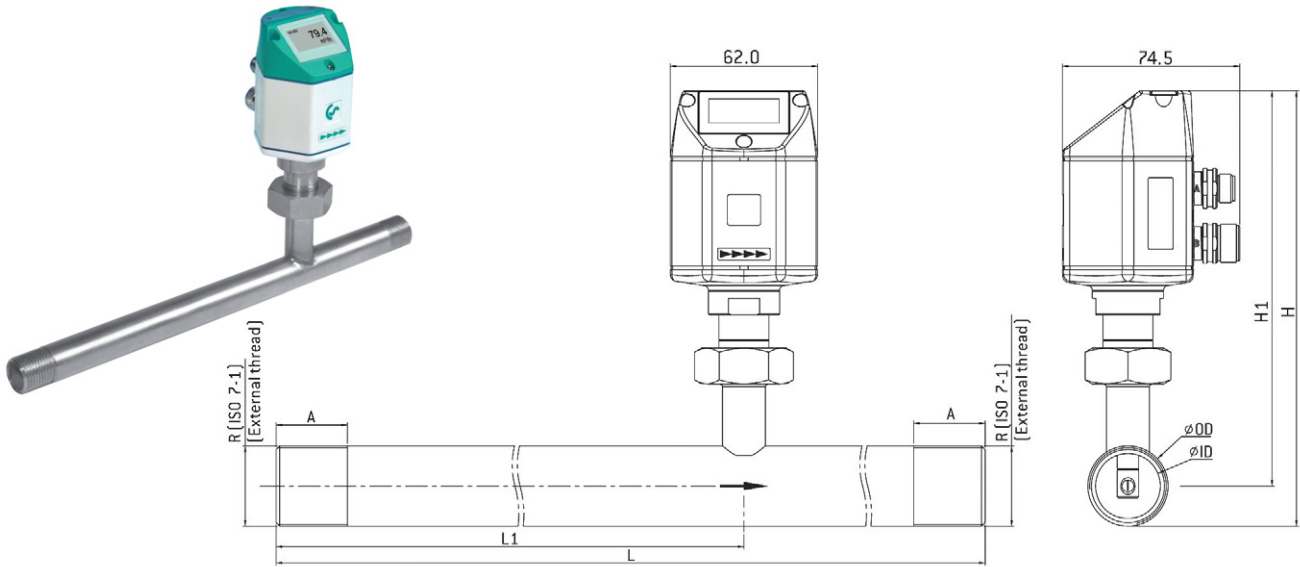


Mass Flowmeter



AVA 420 thermal mass flow sensor

► Dimensions



► Flow measuring ranges AVA 420

Connection thread	Outer pipe diam. mm	Inner pipe diam. mm	Measuring range from to	L	L1	H	H1	A
R 1/2"	21.3	16.1	0.2...90 m ³ /h	300	210	176.4	165.7	20
R 3/4"	26.9	21.7	0.3...170 m ³ /h	475	275	179.2	165.7	20
R 1"	33.7	27.3	0.5...290 m ³ /h	475	275	182.6	165.7	25
R 1 1/2"	48.3	41.8	1.0...550 m ³ /h	475*	275	189.9	165.7	25
R 2"	60.3	53.1	2.0...900 m ³ /h	475*	275	195.9	165.7	30

*** Attention:**

Shortened inlet section! Please observe the recommended minimum inlet section (length = 15 x inner diameter) on site.

Order no.	Display	Thread	Direction	Medium	Description
0695 0421					AVA 420, flow sensor, inline type, DN 15
0695 0422					AVA 420, flow sensor, inline type, DN 20
0695 0423					AVA 420, flow sensor, inline type, DN 25
0695 0424					AVA 420, flow sensor, inline type, DN 40
0695 0425					AVA 420, flow sensor, inline type, DN 50
	A				No display
	B				With display
A 1004		A			R type thread
A 1005		B			NPT type thread
A 1006		C			PT type thread
A 1023			A		Flow from left to right
A 1024			B		Flow from right to left
A 1007				A	Air
A 1008				B	CO ₂
A 1009				C	O ₂
A 1010				D	N ₂
A 1012				F	Ar
A 1019				H	N ₂ O
0553 0104					Connection cable 5m, 5 pole
0553 0105					Connection cable 10m, 5 pole
0554 2005					Service kit for sensor configuration including software
0190 0001					Closing cap for measuring section AVA 420
0554 0007					Mains unit in wall housing 100-240 V, 10 VA, 50-60 Hz/24VDC, 0.35 A
0554 0107					Mains unit 100-240 VAC / 24 VDC, 0.5 A for AVA /AFA 400 Series, 2 m cable
3200 0001					Flow calibration with certificate

Technical data AVA 420

Measured unit:	m ³ /h, m ³ /min, l/min, cfm, m/s, kg/min, kg/h, kg/s [Reference standard can be programmed. Default values: Air: Ps=1000 hPa, Ts=20°C all other gases: Ps=1013 hPa, Ts=0°C]
Accuracy:	± [2% of measured value + 0.3% full scale] Temperature drift: 0.05 % / K Pressure drift: 0.05 % / Bar
Stated accuracy at:	Ambient/process temperature 23 °C ± 3°C Ambient/process humidity < 90%, no condensation Process pressure at 0.6 Mpa
Mounting thread:	R1/2", R3/4", R1", R1.5", R2" DIN EN 10226 (ISO 7-1)
Principle of measurement:	Thermal mass flow
Sensor:	Glass coated resistive sensor
Measuring medium:	Air, N ₂ , O ₂ , Ar, N ₂ O, CO ₂
Operating temperature:	-30 to 50°C
Operating pressure:	up to 1.6 Mpa
Analogue output:	Signal: 4 to 20 mA Scaling: 0 to maximum volume flow Accuracy: 0.06 mA
Pulse output 20mA:	1 pulse per m ³ , l, ft ³ or kg, insulated switch output max 30 VDC, [pulse length: 30-120 ms, depends on consumption rate]
Power supply:	12-30 VDC, 100 mA
Display:	128 x 64 pixel, with backlight
Material:	Measuring section: Stainless steel 1.4301

Siargo Mass Flow Products – Gas Flow Meters 4000 Series



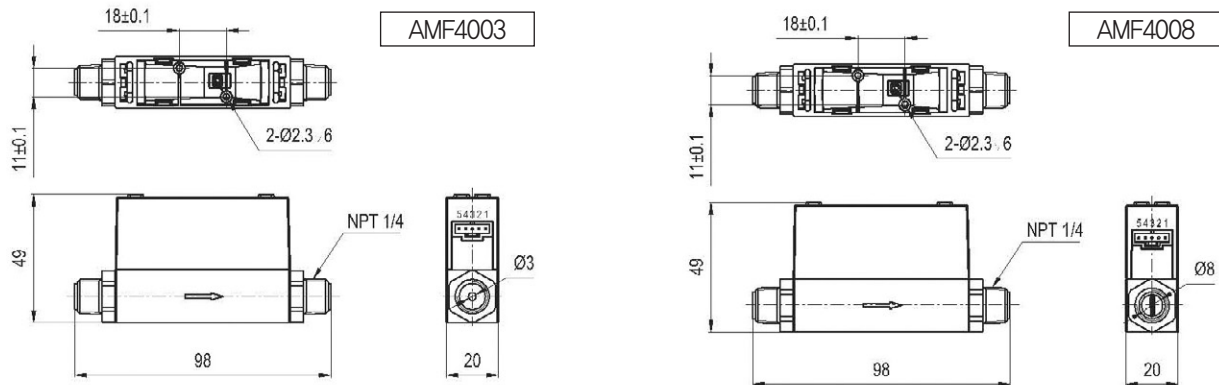
AMF – 4000 Series Gas Flow Meters

► Features

- Designed for low gas flow in fixed flow channel of 3 mm and 8mm, with accumulated flow register
- Compact design ready for multiple channel assembly
- Fast response time provides solutions for critical applications
- Excellent for electronic meters in anesthesia equipments
- Exchangeable mechanical connectors for easy installation at different applications
- Intrinsic safe enclosure for wide applications



► Mechanical Dimensions



► Specifications

	AMF4003	AMF4008	
DN	3	8	mm
Max. Flowrate	2, 3, 4, 5	10, 20, 30, 40, 50	SLPM
Turn-down	>100 : 1		
Accuracy	±(1.5+0.2FS)		%
Repeatability	±0.75		%
Max. Pressure	1.0		MPa
Working Temperature	-10 ~ 55		°C
Humidity	< 95		%RH
Power Supply	8-24Vdc, 35mA		
Output	I ² C, RS485, Analog		
Mechanical	NPT, BSPT or customer specified		
Calibration	Air, 20°C, 101.325 kPa		

Siargo Mass Flow Products – Gas Flow Meters 6000 Series



AMF – 6000 Series Gas Flow Meters

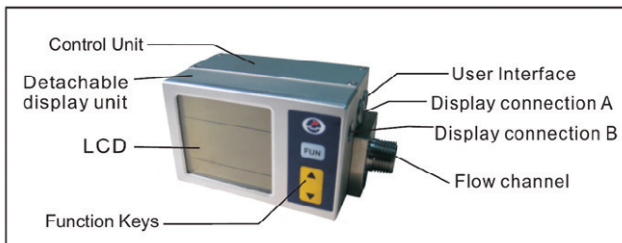
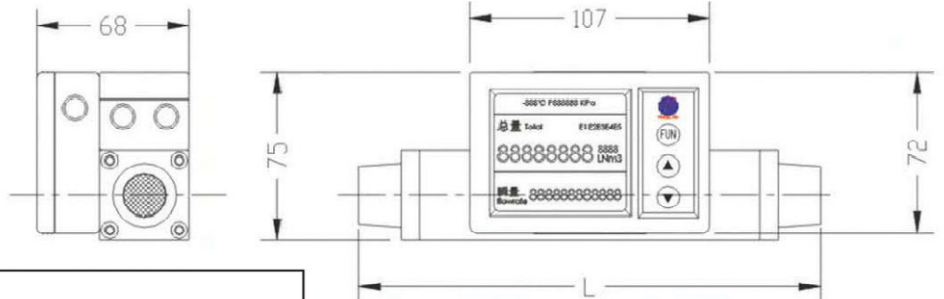
► Features

- Detachable display that can be placed away from the flow channel via a specially designed cable
- Standard 4–20mA or RS485 for remote data communication
- Hygienic stainless steel body ready for oxygen metering
- Extended rangeability for accurate monitor and control flow or dosing
- Intrinsic safe enclosure for easy installation



► Mechanical Dimensions

Other DN meters can be customized upon requests.



	AMF6012	AMF6019
L (mm)	155	206

► Specifications

	AMF6012	AMF6019	
DN	12	19	mm
Max. Flowrate	100, 200, 300	400, 500, 600, 700, 800	SLPM
Min. Flowrate	0.3	0.8	SLPM
Accuracy	$\pm(1.5+0.2FS)$		%
Repeatability	± 0.75		%
Max. Pressure	1.0		MPa
Working Temperature	-10 ~ 55		°C
Humidity	< 95		%RH
Power Supply	8-24Vdc, 35mA		
Output	4-20mA; RS485		
Mechanical	NPT, BSPT or customer specified		
Calibration	Air, 20°C, 101,325 kPa		