

Model Number : BH15M007L

Revision : Rev 00.

Date : 20.JUN.17

## Features:

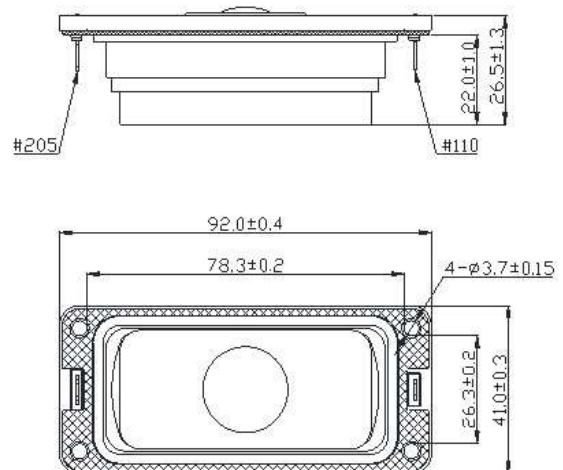
- Driver Type : Tweeter
- Size : 20mm (0.8inch)
- Magnet : Ferrite
- Frame : Plastic
- Diaphragm : PPS



## Specifications:

- Rated Power Handling : 5W (RMS)
- Characteristic Sensitivity : 88.5dB  $\pm$  2dB (1W/1m)
- Nominal Impedance : 8 $\Omega$
- Free Air Resonance Frequency,  $f_s$  : 1.0kHz  $\pm$  20%
- Frequency Range :  $f_s \sim$  20kHz  $\pm$  20%
- Voice Coil Inner Diameter :  $\varnothing$ 20.4 (mm)
- Net Weight : 244g (8.6oz)

## Dimensions & Mounting Information:



## Frequency & Impedance Response:

