

Model Number : BH16M022L

Revision : Rev 00.

Date : 20.JUN.17

Features:

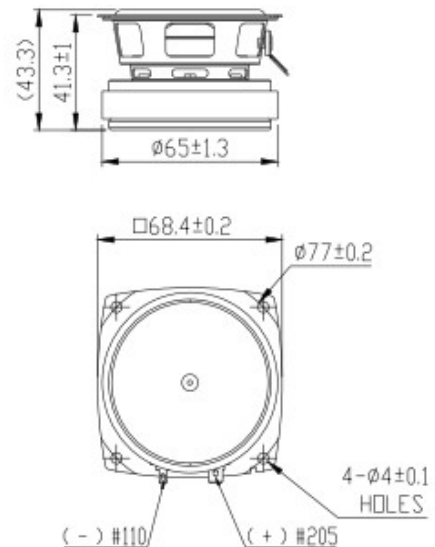
- Driver Type : Full Range
- Size : 68mm (2.6inch)
- Magnet : Ferrite
- Frame : Steel
- Diaphragm : Aloe Paper



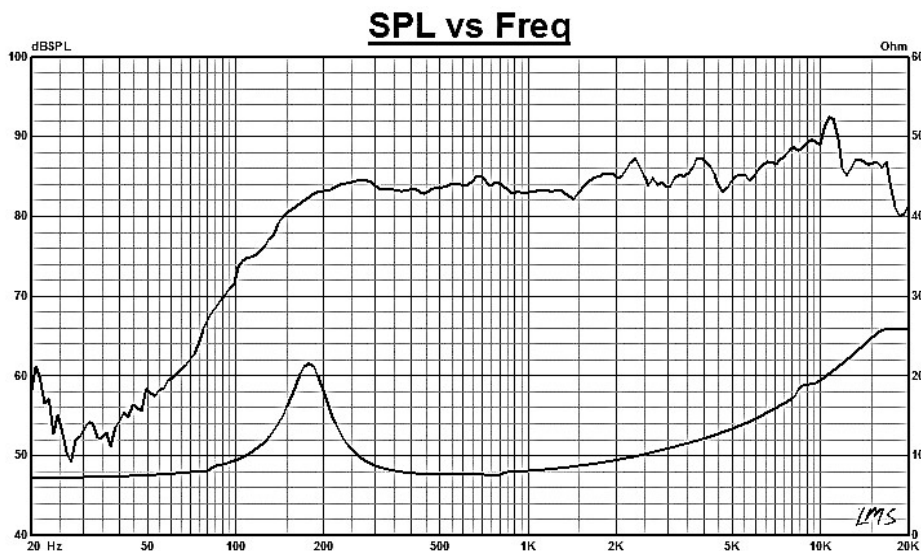
Specifications:

- Rated Power Handling : 10W (RMS)
- Characteristic Sensitivity : 83.0dB \pm 2dB (1W/1m)
- Nominal Impedance : 8 Ω
- Free Air Resonance Frequency, f_s : 180Hz \pm 20%
- Frequency Range : $f_s \sim$ 20kHz \pm 20%
- Voice Coil Inner Diameter : \varnothing 20.4 (mm)
- Net Weight : 350g (12.3oz)

Dimensions & Mounting Information:



Frequency & Impedance Response:



<http://www.bhacoustic.com>

105, Sinwon-ro, Yeongtong-gu, Suwon-si, Gyeonggi-do, Republic of Korea 16678

Tel : +82(31)-206-5477 Fax : +82-(21)-206-5473