

Model Number : 13C061

Revision : Rev 00.

Date : 20.JUN.17

## Features:

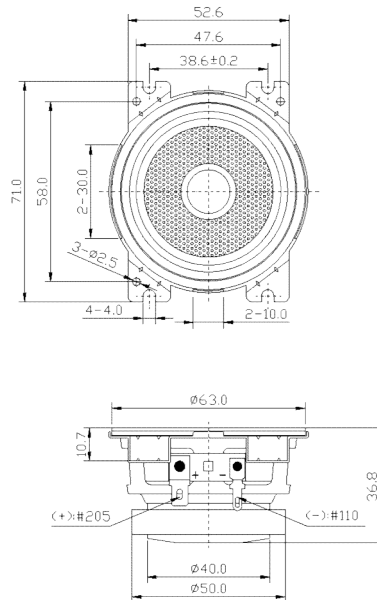
- Driver Type : Full Range
- Size : 65mm (2.6inch)
- Magnet : Ferrite
- Frame : Steel
- Diaphragm : Paper



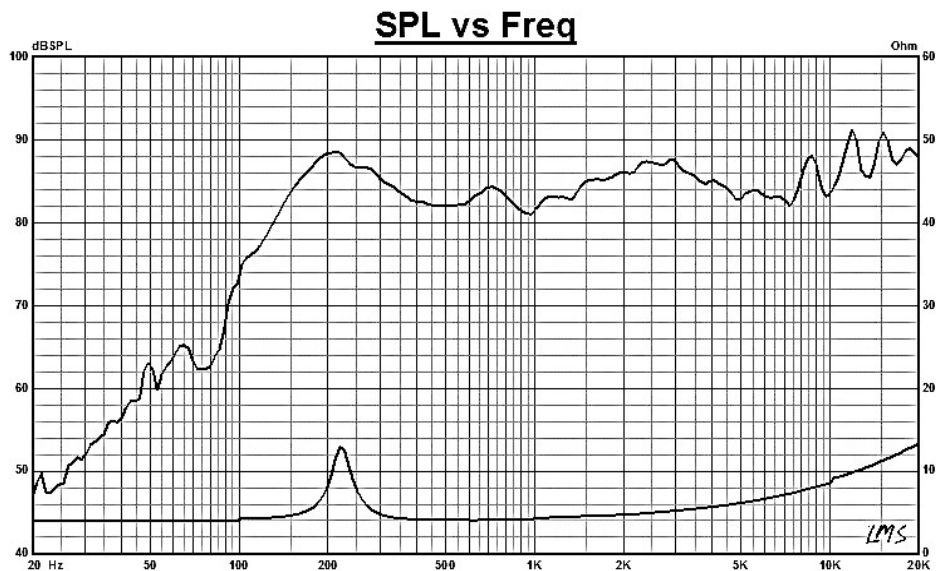
## Specifications:

- Rated Power Handling : 10W (RMS)
- Characteristic Sensitivity : 82dB ± 2dB (1W/1m)
- Nominal Impedance : 4Ω
- Free Air Resonance Frequency,  $f_s$  : 2200Hz ± 20%
- Frequency Range :  $f_s \sim 20\text{kHz} \pm 20\%$
- Voice Coil Inner Diameter :  $\varnothing 16.28$  (mm)
- Net Weight : 175g (6.2oz)

## Dimensions & Mounting Information:



## Frequency & Impedance Response:



<http://www.bhacoustic.com>

105, Sinwon-ro, Yeongtong-gu, Suwon-si, Gyeonggi-do, Republic of Korea 16678

Tel : +82(31)-206-5477 Fax : +82-(21)-206-5473