

Model Number : BH16B001

Revision : Rev 00.

Date : 20.JUN.17

Features:

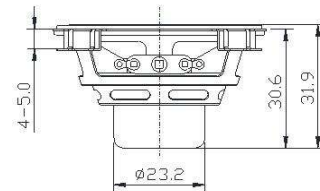
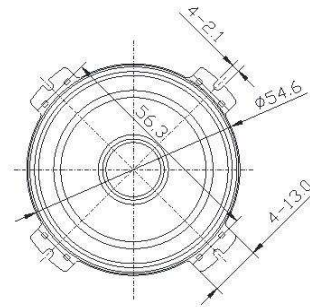
- Driver Type : Full Range
- Size : 55mm (2inch)
- Magnet : Neodymium
- Frame : Steel
- Diaphragm : Paper



Specifications:

- Rated Power Handling : 10W (RMS)
- Characteristic Sensitivity : 82dB \pm 2dB (1W/1m)
- Nominal Impedance : 4 Ω
- Free Air Resonance Frequency, f_s : 175Hz \pm 20%
- Frequency Range : $f_s \sim$ 20kHz \pm 20%
- Voice Coil Inner Diameter : \varnothing 16.28 (mm)
- Net Weight : 60g (2.1oz)

Dimensions & Mounting Information:



Frequency & Impedance Response:

