

Model Number : BH11G055

Revision : Rev 00.

Date : 20.JUN.17

Features:

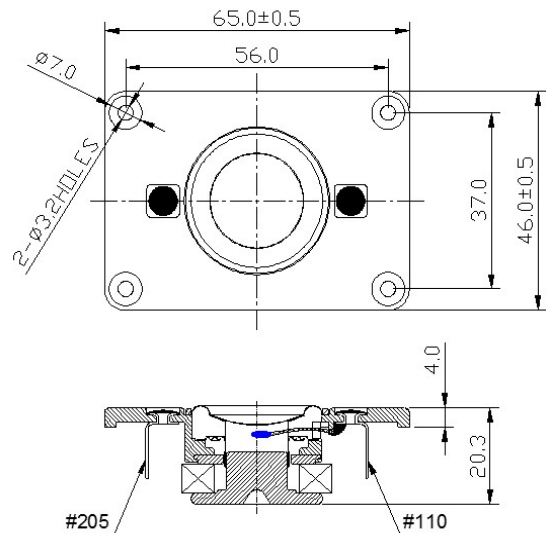
- Driver Type : Full Range
- Size : 46*65mm (1.8*2.6inch)
- Magnet : Ferrite
- Frame : Plastic
- Diaphragm : Black Mylar



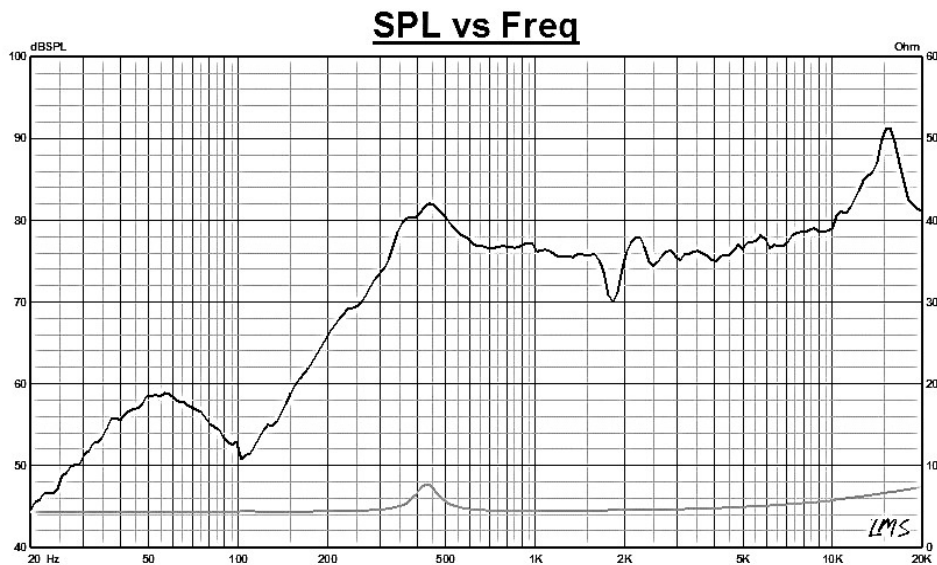
Specifications:

- Rated Power Handling : 3W (RMS)
- Characteristic Sensitivity : 75.5dB \pm 2dB (1W/1m)
- Nominal Impedance : 4 Ω
- Free Air Resonance Frequency, f_s : 430Hz \pm 20%
- Frequency Range : $f_s \sim$ 20kHz \pm 20%
- Voice Coil Inner Diameter : \varnothing 13.28 (mm)
- Net Weight : 53.5g (1.9oz)

Dimensions & Mounting Information:



Frequency & Impedance Response:



<http://www.bhacoustic.com>

105, Sinwon-ro, Yeongtong-gu, Suwon-si, Gyeonggi-do, Republic of Korea 16678

Tel : +82(31)-206-5477 Fax : +82-(21)-206-5473