

Model Number : BH17G012L

Revision : Rev 00.

Date : 20.JUN.17

Features:

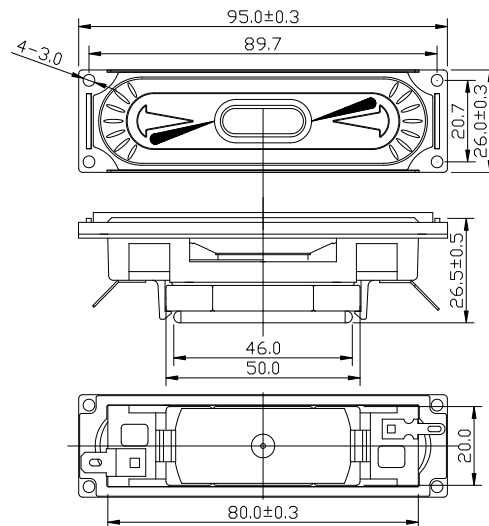
- Driver Type : Woofer
- Size : 26x95mm (1x3.7inch)
- Magnet : Neodymium
- Frame : Plastic
- Diaphragm : Paper



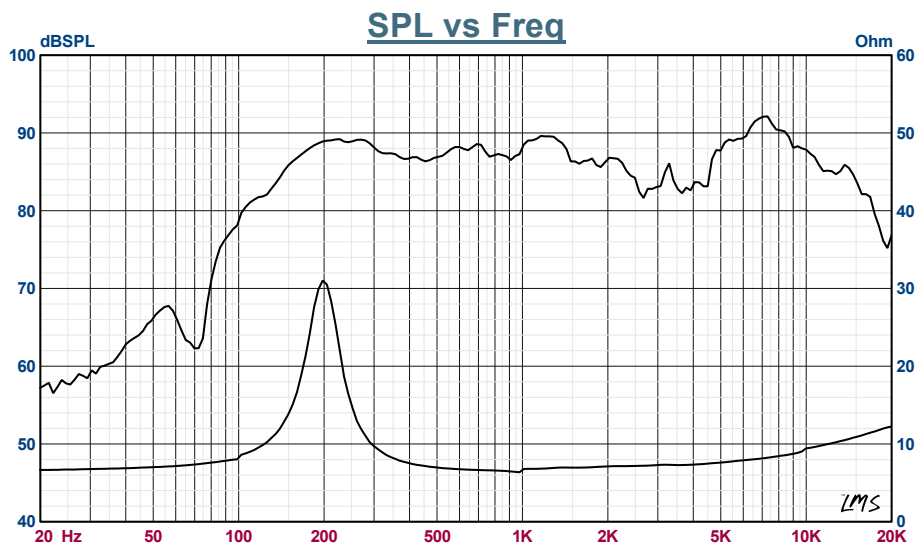
Specifications:

- Rated Power Handling : 5W (RMS)
- Characteristic Sensitivity : 82.5dB \pm 2dB (1W/1m)
- Nominal Impedance : 7 Ω
- Free Air Resonance Frequency, f_s : 200Hz \pm 20%
- Frequency Range : $f_s \sim$ 15kHz \pm 20%
- Voice Coil Inner Diameter : 20.3*9.0 (mm)
- Net Weight : 89g (3.1oz)

Dimensions & Mounting Information:



Frequency & Impedance Response:



<http://www.bhacoustic.com>

105, Sinwon-ro, Yeongtong-gu, Suwon-si, Gyeonggi-do, Republic of Korea 16678

Tel : +82(31)-206-5477 Fax : +82-(21)-206-5473