

Model Number : BH09F025

Revision : Rev 00.

Date : 20.JUN.17

## Features:

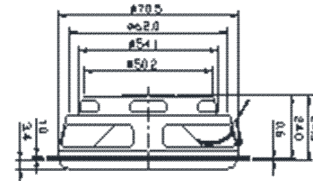
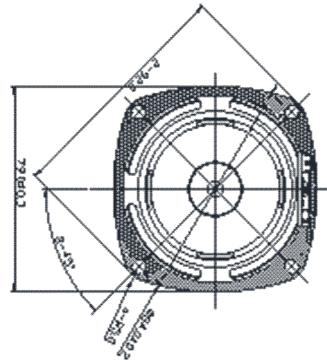
- Driver Type : Woofer
- Size : 68mm (2.6inch)
- Magnet : Neodymium
- Frame : Steel
- Diaphragm : Mica Paper



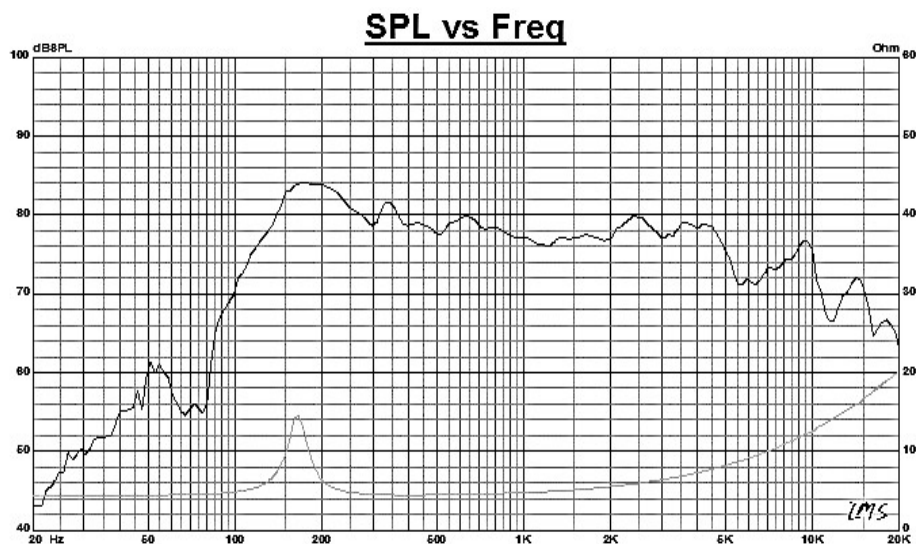
## Specifications:

- Rated Power Handling : 15W (RMS)
- Characteristic Sensitivity : 77.5dB ± 2dB (1W/1m)
- Nominal Impedance : 4Ω
- Free Air Resonance Frequency,  $f_s$  : 165Hz ± 20%
- Frequency Range :  $f_s \sim 15\text{kHz} \pm 20\%$
- Voice Coil Inner Diameter :  $\varnothing 25.4$  (mm)
- Net Weight : 110g (4.3oz)

## Dimensions & Mounting Information:



## Frequency & Impedance Response:



<http://www.bhacoustic.com>

105, Sinwon-ro, Yeongtong-gu, Suwon-si, Gyeonggi-do, Republic of Korea 16678

Tel : +82(31)-206-5477 Fax : +82-(21)-206-5473