

Model Number : BH14E015-1

Revision : Rev 00.
Date : 05.JUN.17

Features:

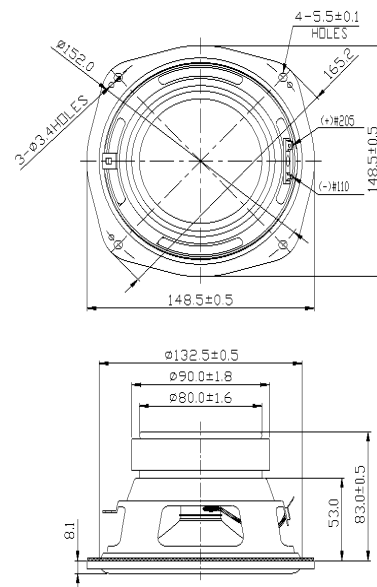
- Driver Type : Woofer
- Size : 150mm (6inch)
- Magnet : Ferrite
- Frame : Steel
- Diaphragm : Polypropylene



Specifications:

- Rated Power Handling : 40W (RMS)
- Characteristic Sensitivity : 86dB \pm 2dB (1W/1m)
- Nominal Impedance : 6 Ω
- Free Air Resonance Frequency, f_s : 60Hz \pm 20%
- Frequency Range : $f_s \sim$ 10kHz \pm 20%
- Voice Coil Inner Diameter : \varnothing 25.4 (mm)
- Net Weight : 1350g (47.6oz)

Dimensions & Mounting Information:



Frequency & Impedance Response:

