

Model Number : BH11L010

Revision : Rev 00.
Date : 05.JUN.17

Features:

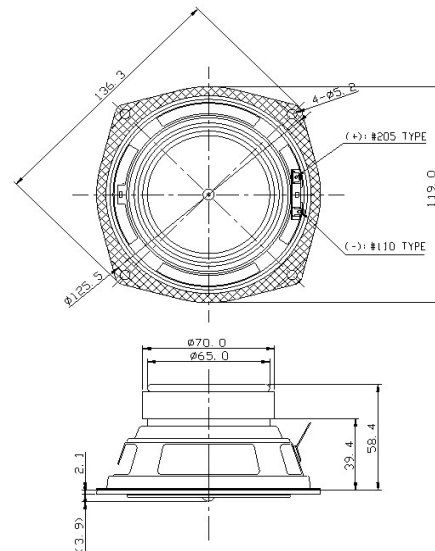
- Driver Type : Woofer
- Size : 120mm (4.7inch)
- Magnet : Ferrite
- Frame : Steel
- Diaphragm : Polypropylene



Specifications:

- Rated Power Handling : 20W (RMS)
- Characteristic Sensitivity : 85.0dB \pm 2dB (1W/1m)
- Nominal Impedance : 4 Ω
- Free Air Resonance Frequency, f_s : 85Hz \pm 20%
- Frequency Range : $f_s \sim 10$ kHz \pm 20%
- Voice Coil Inner Diameter : $\varnothing 25.4$ (mm)
- Net Weight : 585g (20.6oz)

Dimensions & Mounting Information:



Frequency & Impedance Response:

