

Model Number : BH16M025L

Revision : Rev 00.

Date : 20.JUN.17

Features:

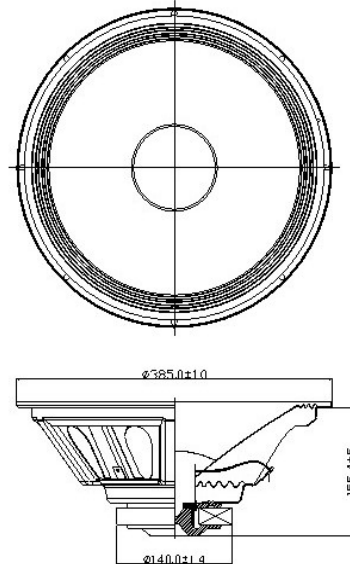
- Driver Type : Sub Woofer
- Size : 380mm (15inch)
- Magnet : Ferrite
- Frame : Steel
- Diaphragm : Carbon Paper



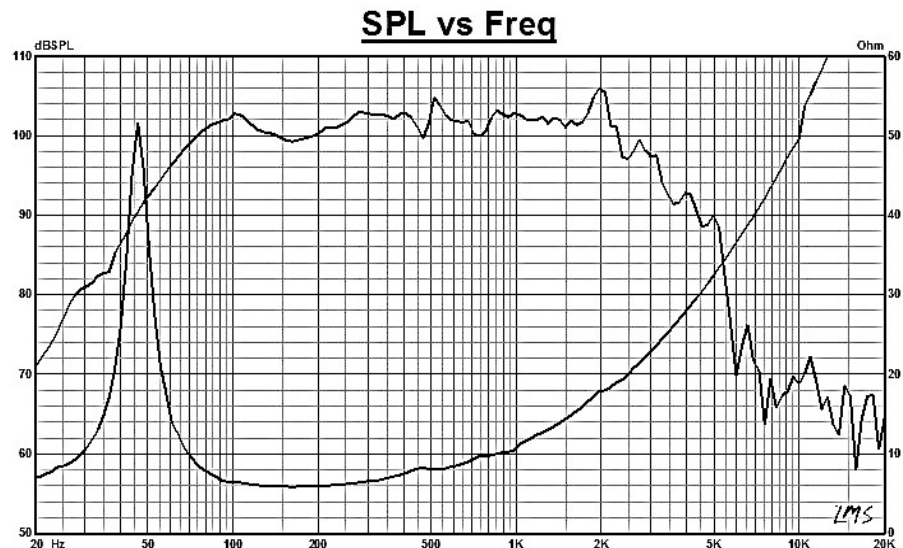
Specifications:

- Rated Power Handling : 100W (RMS)
- Characteristic Sensitivity : 95dB \pm 2dB (1W/1m)
- Nominal Impedance : 6 Ω
- Free Air Resonance Frequency, f_s : 50Hz \pm 20%
- Frequency Range : $f_s \sim$ 3kHz \pm 20%
- Voice Coil Inner Diameter : \varnothing 49.5 (mm)
- Net Weight : 3340g (117.8oz)

Dimensions & Mounting Information:



Frequency & Impedance Response:



<http://www.bhacoustic.com>

105, Sinwon-ro, Yeongtong-gu, Suwon-si, Gyeonggi-do, Republic of Korea 16678

Tel : +82(31)-206-5477 Fax : +82-(21)-206-5473