

# Loudspeaker Specification Sheet

Model Number : BH15D005L

Revision : Rev 00.

Date : 20.JUN.17

## Features:

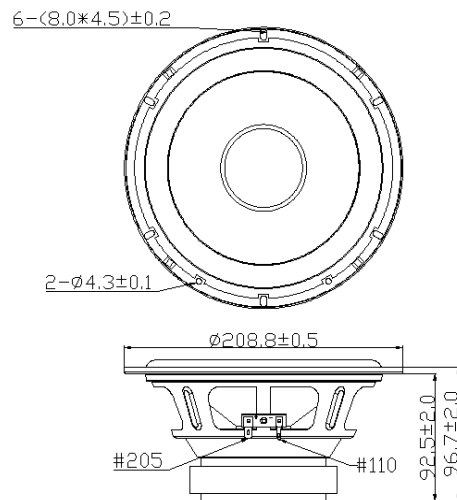
- Driver Type : Sub Woofer
- Size : 200mm (8inch)
- Magnet : Ferrite
- Frame : Steel
- Diaphragm : Foam Paper



## Specifications:

- Rated Power Handling : 60W (RMS)
- Characteristic Sensitivity : 88dB  $\pm$  2dB (1W/1m)
- Nominal Impedance : 6 $\Omega$
- Free Air Resonance Frequency,  $f_s$  : 70Hz  $\pm$  20%
- Frequency Range :  $f_s \sim$  5kHz  $\pm$  20%
- Voice Coil Inner Diameter :  $\varnothing$ 35.55 (mm)
- Net Weight : 1650g (58.2oz)

## Dimensions & Mounting Information:



## Frequency & Impedance Response:

