

Model Number : BH15F004L

Revision : Rev 00.

Date : 20.JUN.17

Features:

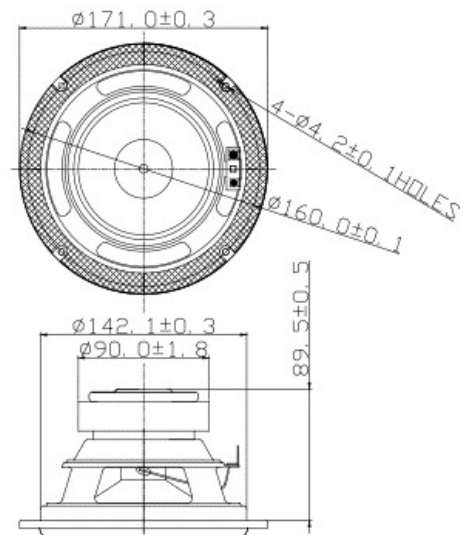
- Driver Type : Sub Woofer
- Size : 160mm (6.5inch)
- Magnet : Ferrite
- Frame : Steel
- Diaphragm : Paper



Specifications:

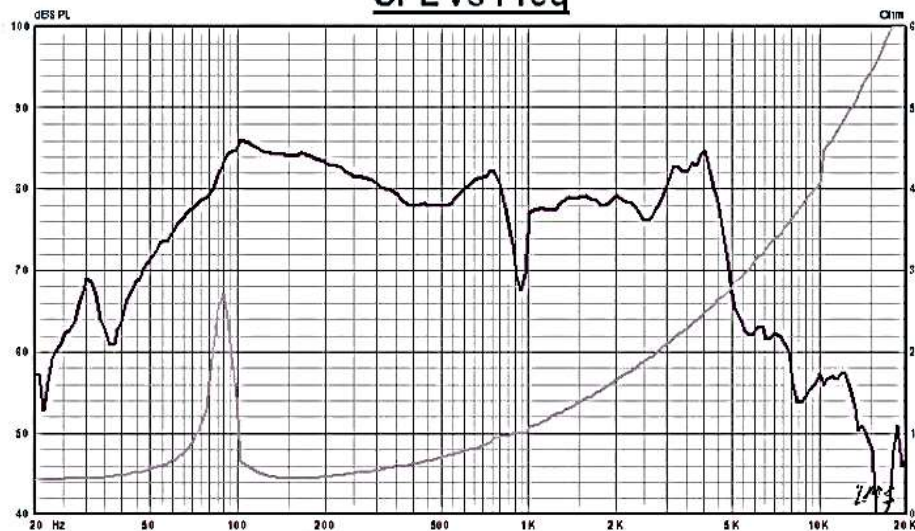
- Rated Power Handling : 50W (RMS)
- Characteristic Sensitivity : 85dB \pm 2dB (1W/1m)
- Nominal Impedance : 4 Ω
- Free Air Resonance Frequency, f_s : 80Hz \pm 20%
- Frequency Range : $f_s \sim$ 1kHz \pm 20%
- Voice Coil Inner Diameter : \varnothing 30.5 (mm)
- Net Weight : 1270g (44.8oz)

Dimensions & Mounting Information:



Frequency & Impedance Response:

SPL vs Freq



<http://www.bhacoustic.com>

105, Sinwon-ro, Yeongtong-gu, Suwon-si, Gyeonggi-do, Republic of Korea 16678

Tel : +82(31)-206-5477 Fax : +82-(21)-206-5473