

Loudspeaker Specification Sheet

Model Number : BH14M010L

Revision : Rev 00.

Date : 20.JUN.17

Features:

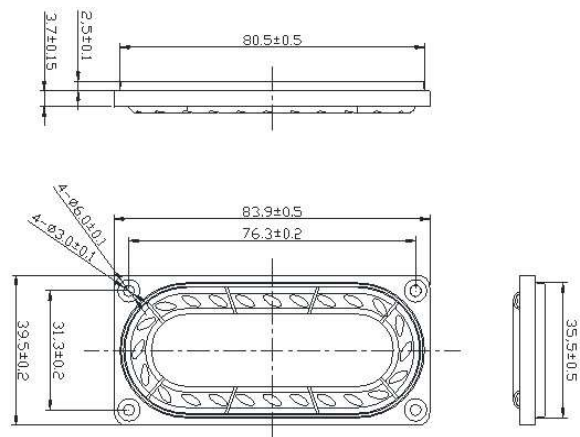
- Driver Type : Passive Radiator
- Size : 40*84mm (1.6*3.3inch)
- Magnet : N/A
- Frame : Plastic
- Diaphragm : Rubber + Steel



Specifications:

- Rated Power Handling : -W (RMS)
- Characteristic Sensitivity : -dB \pm -dB (1W/1m)
- Nominal Impedance : - Ω
- Free Air Resonance Frequency, f_s : 50Hz \pm 20%
- Frequency Range : $f_s \sim$ -Hz \pm 20%
- Voice Coil Inner Diameter : - (mm)
- Net Weight : 43.6g (1.5oz)

Dimensions & Mounting Information:



Frequency & Impedance Response:

N/A