



# BYG102-N8

## 10" BASS GUITAR WOOFER

NEODYMIUM MAGNET

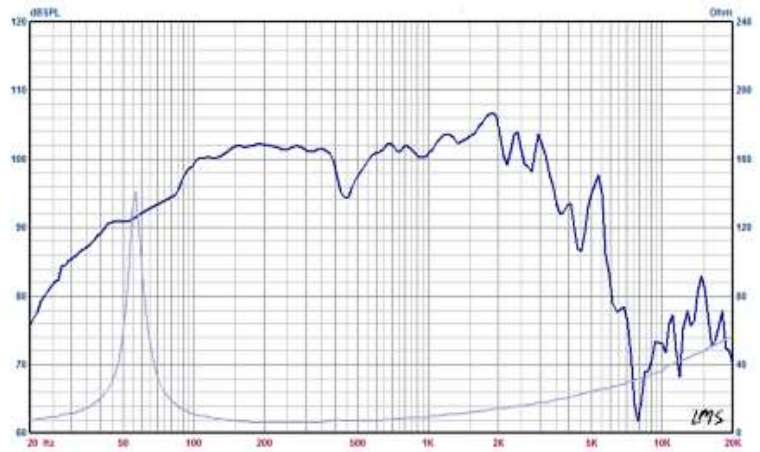


- 10 inch Bass Guitar Woofer
- 2.0inch Voice coil
- 200 Watt Program Power handling
- 95.5dB/ SPL Sensivity
- Solid low-end and tight mid-high's

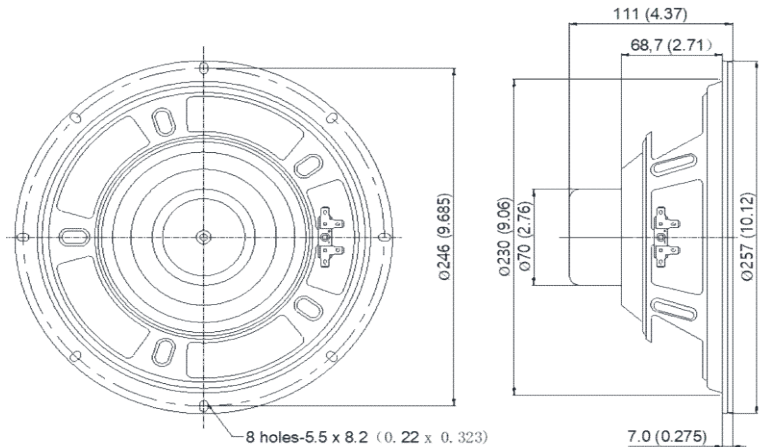
### GENERAL SPECIFICATIONS

Nominal diameter	mm(in)	250(10)
Nominal impedance	$\Omega$	8
Minimum impedance	$\Omega$	6.3
Program power	W	150
AES Power rating	W	300
Sensitivity (SPL)	dB	95.5
Frequency range	Hz	54-5200
Voice coil diameter	mm (in)	52(2)
Chassis material	Steel	
Magnet material	Neodymium	
Magnet dimension (OD x ID x h )	mm (in)	51*9
Coil material	Copper	
Former material	Glass fiber	
Diaphragm material	Water Proof Treated Paper	
Diaphragm/Dust cap treatment	Water Proof	
Surround material	Polycotton	
X max	mm (in)	6.5(0.256)
X mech (Peak)	mm (in)	10.5(0.413)
Gap height	mm (in)	8(0.315)
Voice coil winding height	mm (in)	17(0.67)

### FREQUENCY RESPONSE



### DIMENSIONS mm (in.)



### SMALL SIGNAL PARAMETERS

DC Resistance	Re	$\Omega$	5.2
Resonance frequency	Fs	Hz	57
Moving mass	Mms	g(oz)	37.39(1.32)
Compliance	Cms	mm/N	0.204
Force factor	BxL	Tm	13.18
Mechanical Q-Factor	Qms	-	10.39
Electrical Q-Factor	Qes	-	0.411
Total Q-Factor	Qts	-	0.395
Equivalent air volume	Vas	l(ft3)	38.04(1.34)
Inductance of voice cile	Le	mH	0.878
Diaphragm area	Sd	cm2 (in2)	363(56.27)
Reference efficiency	no	%	1.705

### SHIPPING INFORMATION

Net weight	Kg (lb)	
Out carton size (W x D x H)	mm x mm x mm (in x in x in)	
Out carton weight	Kg (lb)	

[www.bhacoustic.com](http://www.bhacoustic.com)/[www.bhacoustel.com](http://www.bhacoustel.com)