

Loudspeaker Specification Sheet

Model Number : 18BS900

Revision : Rev 00.

Date : 28.JUN.17

Features:

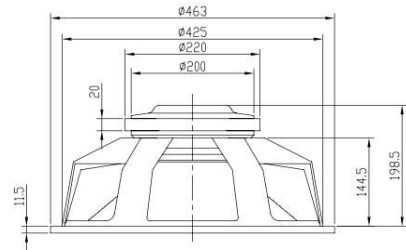
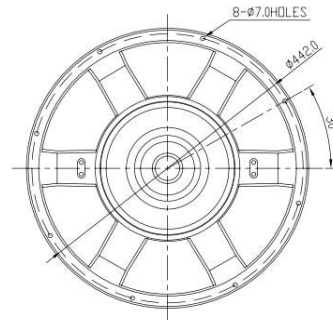
- Driver Type : SR Series (Sound Reinforcement)
- Size : 460mm (18inch)
- Magnet : Ferrite
- Frame : Aluminium
- Diaphragm : Paper



Specifications:

- Rated Power Handling : 900W (RMS)
- Characteristic Sensitivity : 97.0dB \pm 2dB (1W/1m)
- Nominal Impedance : 6 Ω
- Free Air Resonance Frequency, f_s : 31Hz \pm 20%
- Frequency Range : $f_s \sim 2.5$ kHz \pm 20%
- Voice Coil Inner Diameter : \varnothing 99.2 (mm)
- Net Weight : 11500g (406oz)

Dimensions & Mounting Information:



Frequency

