

Model CR Series

Compression Load Cell (200kg ~ 20t)
Canister Type

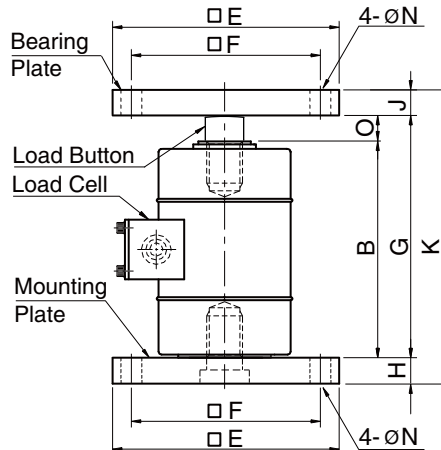
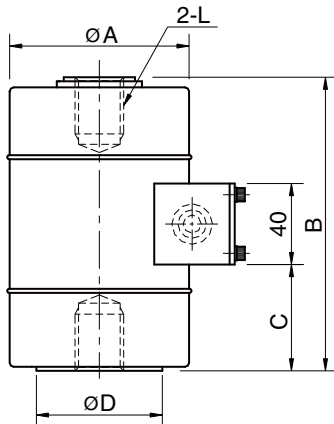
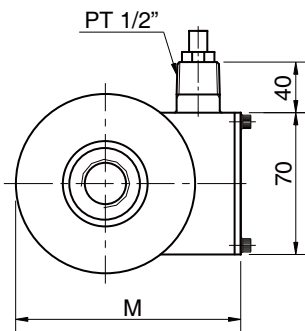


The CR series load cells are designed for measuring compressive loads up to 20 tonnes are particularly suited for industrial application where optimum precision is needed. Featuring high-alloy tool steel construction for excellent repeatability, the unique element design provides high rated output (3mV/V) with low deflection. It is recommended that the load cell should incorporate the flat, solid, machined bearing plate and mounting plate to provide the highest accuracy.

- Hermetically sealed
- Robust high capacity design
- High rated output (3mV/V)

SPECIFICATIONS

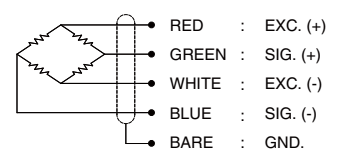
MODEL	CRU	CRC	CRD
Rated capacity (R.C.)	200, 300, 500kg, 1, 2, 3, 5, 10, 20ton		
Rated output(R.O.)	3.0mV/V ± 0.1%		3.0mV/V ± 0.2%
Non-linearity	≤0.02% R.O.	≤0.05% R.O.	≤0.1% R.O.
Hysteresis	≤0.02% R.O.		≤0.1% R.O.
Non-repeatability	≤0.02% R.O.		≤0.1% R.O.
Creep error	≤0.02% in 20min.		≤0.1% in 20min.
Zero balance	≤1% R.O.		
Compensated temperature range	-10 ~ 70°C		
Operating temperature range	-20 ~ 80°C		
Temp. effect on rated output	≤0.03% LOAD/10°C		≤0.05% LOAD/10°C
Temp. effect on zero balance	≤0.03% R.O./10°C		≤0.05% R.O./10°C
Terminal input resistance	350 Ohms ± 3.5 Ohms		
Terminal output resistance	350 Ohms ± 5 Ohms		
Insulation resistance (Min.)	5000 MOhms at 50V DC	2000 MOhms at 50V DC	
Excitation voltage	3~12V(Recommended), 15V(Max.)		
Electrical connection	∅9mmx5m(22AWG x 4Core Shielded)		
Protection class	meets IP 67		
Safe overload	150% R.C		
Ultimate overload	300% R.C		



ORDERING INFORMATION

MODEL	CAPACITY
CRU	200, 300, 500kg
CRC	1, 2, 3, 5, 10, 20ton
CRD	

WIRING INFORMATION



Dimension-mm

Rated Capacity	A	B	C	D	E	F	G	H	J	K	L	M	N	O	Bearing Plate	Mounting Plate	Load Button	Weight(kg)
200 ~ 300kg (1961N ~ 2942N)	88	110	33	34	100	78	119	15	15	149	M12 x 1.25 Depth 13	112	8	9	BPCR1	MPCR1	LBCR1	2.8
500kg ~ 1t (4.904kN ~ 9.807kN)	106	145	52.5	66	130	106	115	24	24	145	M24 x 2 Depth 30	112	12	16	BPCR2	MPCR2	LBCR2	4.5
2 ~ 5t (19.61kN ~ 49.03kN)	138	210	70	80	160	126	230	30	30	209	M39 x 2 Depth 50	171	14	20	BPCR3	MPCR3	LBCR3	12.5
10t (98.07kN)	164	283	120	120	200	150	303	30	30	363	M50 x 2 Depth 65	199	14	20	BPCR4	MPCR4	LBCR4	27.4

* Specifications are subject to change without notice

APR, 2018