

Model OBBS / OBBS2 Series

Bending Beam Load Cell (20kg ~ 500kg)

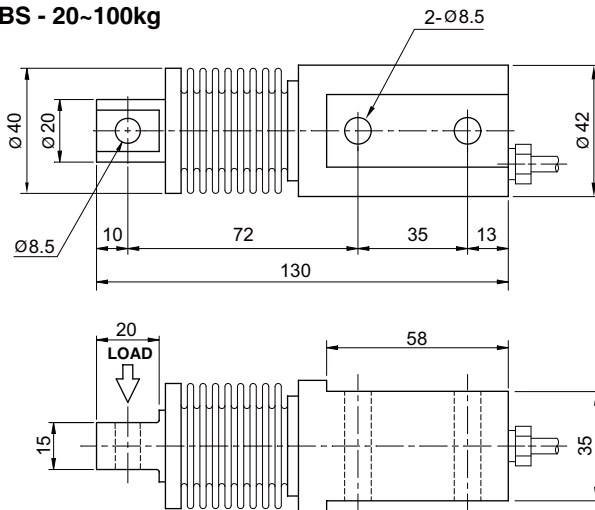
- Fully welded seal with stainless steel bellows for hostile environment applications.
- 17-4PH stainless steel construction.



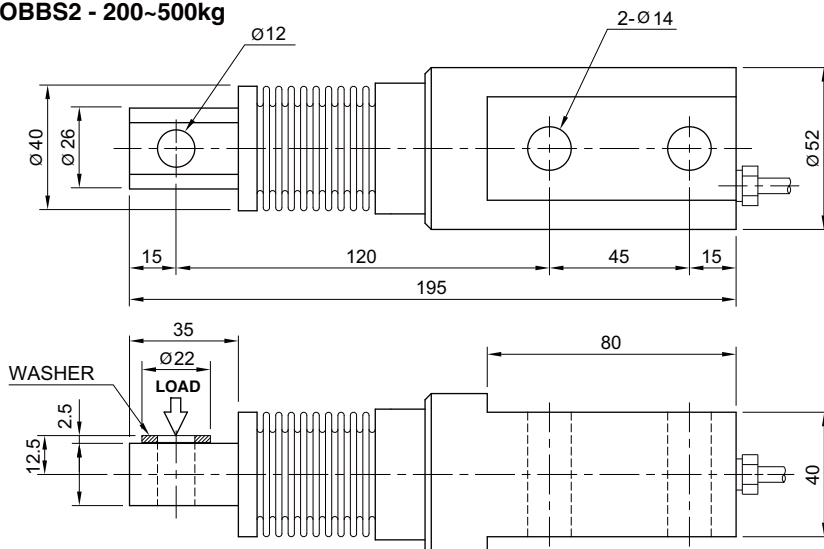
SPECIFICATIONS

| MODEL | OBBS | OBBS2 |
|-------------------------------|---------------------------------|------------------|
| Rated capacity (R.C.) | 20, 50, 100 kg | 200, 300, 500 kg |
| Rated output(R.O.) | 2.0mV/V ± 0.2% | |
| Non-linearity | ≤0.03% R.O. | |
| Hysteresis | ≤0.02% R.O. | |
| Non-repeatability | ≤0.02% R.O. | |
| Creep error | ≤0.03% in 20min. | |
| Zero balance | ≤1% R.O. | |
| Compensated temperature range | -10 ~ 70°C | |
| Operating temperature range | -20 ~ 80°C | |
| Temp. effect on rated output | ≤0.02% LOAD/10°C | |
| Temp. effect on zero balance | ≤0.02% R.O./10°C | |
| Terminal input resistance | 400 Ohms ± 20 Ohms | |
| Terminal output resistance | 350 Ohms ± 5 Ohms | |
| Insulation resistance (Min.) | 2000 MOhms at 50V DC | |
| Excitation voltage | 3~12V(Recommended), 15V(Max.) | |
| Electrical connection | Ø5mmx3m(22AWG x 4Core Shielded) | |
| Protection class | meets IP 68 | |
| Safe overload | 150% R.C | |
| Ultimate overload | 300% R.C | |

OBBS - 20~100kg



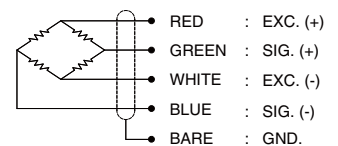
OBBS2 - 200~500kg



ORDERING INFORMATION

| OBBS - 50 | |
|-----------|-----------------|
| MODEL | CAPACITY |
| OBBS | 20, 50, 100kg |
| OBBS2 | 200, 300, 500kg |

WIRING INFORMATION



* Specifications are subject to change without notice

APR, 2018