

## Model OSW Series

Shear Beam Load Cell (500kg ~ 5t)

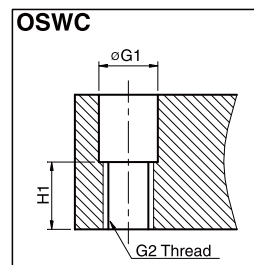
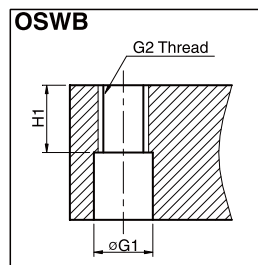
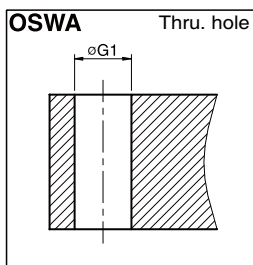
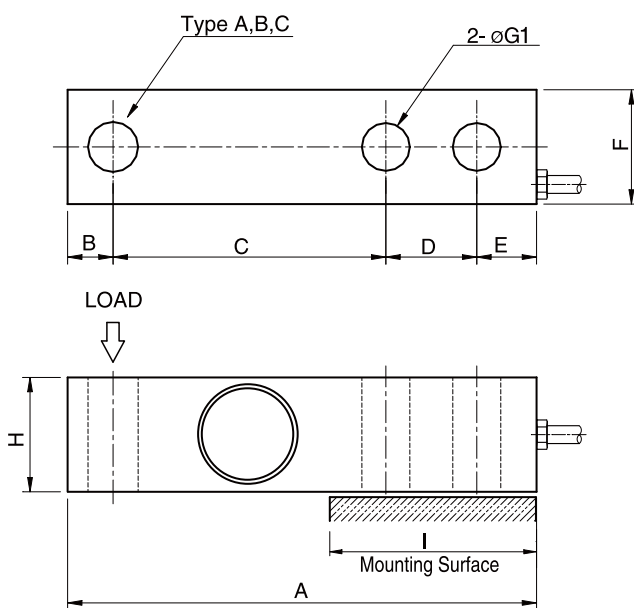


The OSW series single ended shear beam load cell is designed for high accuracy platform scales and a variety of process weighing applications.

- 17-4PH stainless steel construction for high accuracy and corrosion resistance.
- Fully welded seal with stainless steel cover for hostile environment applications.

### SPECIFICATIONS

MODEL	OSWA, OSWB, OSWC
Rated capacity (R.C.)	500kg, 1, 2, 3, 5t 2, 4, 5, 10 klbs
Rated output(R.O.)	2.0mV/V ± 0.25%
Non-linearity	≤ 0.03% R.O.
Hysteresis	≤ 0.03% R.O.
Non-repeatability	≤ 0.02% R.O.
Creep error	≤ 0.03% in 20min.
Zero balance	≤ 1% R.O.
Compensated temperature range	-10 ~ 70°C
Operating temperature range	-20 ~ 80°C
Temp. effect on rated output	≤ 0.03% LOAD/10°C
Temp. effect on zero balance	≤ 0.03% R.O./10°C
Terminal input resistance	400 Ohms ± 20 Ohms
Terminal output resistance	350 Ohms ± 5 Ohms
Insulation resistance (Min.)	2000 MOhms at 50V DC
Excitation voltage	3~12V(Recommended), 15V(Max.)
Electrical connection	200kg ~ 2t (22AWG x 4Core Shielded)
	3, 5t
	Ø5mmx3m(Standard), 6m(Option)
Protection class	meets IP 68
Safe overload	150% R.C
Ultimate overload	300% R.C

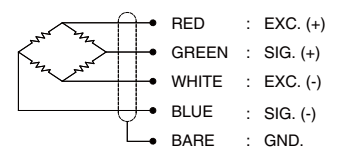


### ORDERING INFORMATION

#### OSWA - 5T

MODEL	CAPACITY
OSWA	0.5, 1, 2, 3, 5ton
OSWB	2, 4, 5, 10 klbs
OSWC	(Lbs Available)

### WIRING INFORMATION



### Dimension-mm

Capacity	A	B	C	D	E	F	Ø G1	G2	H	H1	I	Weight(kg)
500kg ~ 2t (4.903~19.61kN)	131	12.7	76.2	25.4	16.7	32	13.5	M12x1.75P	32	16	56	0.8
3, 5t (29.42, 49.03kN)	171.5	19	95.3	38.1	19.1	38.1	20.5	M20x2.5P	38	19	76.2	1.8

\* Specifications are subject to change without notice

APR, 2018