

## Model DBCM Series

Tension & Compression  
Miniature Load Cell (2kg ~ 300kg)

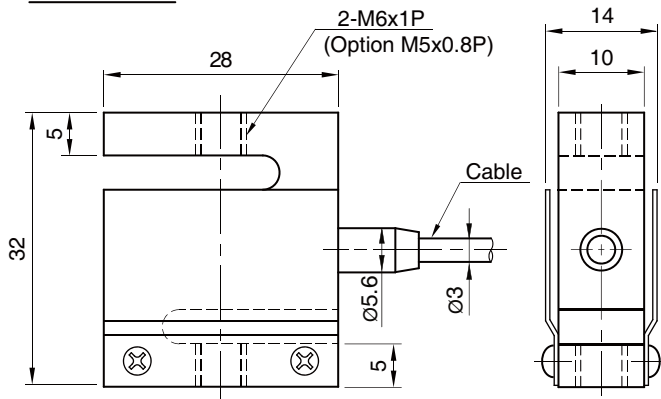
- High accuracy(1/2000)
- Sealed to IP 64



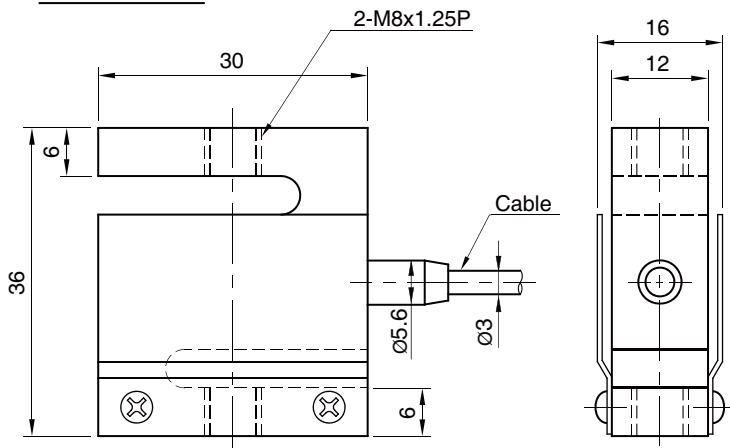
### SPECIFICATIONS

MODEL	DBCM	
Rated capacity (R.C.)	2, 3, 5kg	10, 20, 30, 50, 100, 200, 300kg
Material	Stainless Steel	
Rated output(R.O.)	1.0~2.0mV/V   2.0mV/V ± 10%	
Non-linearity	≤ 0.05% R.O.	
Hysteresis	≤ 0.05% R.O.	
Non-repeatability	≤ 0.03% R.O.	
Creep error	≤ 0.05% in 20min.	
Zero balance	≤ 1% R.O.	
Compensated temperature range	-10 ~ 70°C	
Operating temperature range	-20 ~ 80°C	
Temp. effect on rated output	≤ 0.03% LOAD/10°C	
Temp. effect on zero balance	≤ 0.03% R.O./10°C	
Terminal input resistance	400 ± 20 Ohms	
Terminal output resistance	350 ± 5 Ohms	
Insulation resistance (Min.)	2000 MOhms at 50V DC	
Excitation voltage	3~5V(Recommended), 10V(Max.)	
Electrical connection	ø3mmx1.5m(28AWG x 4Core Shielded)	
Protection class	meets IP 64	
Safe overload	150% R.C	
Ultimate overload	300% R.C	

#### 2 ~ 100kg



#### 200, 300kg

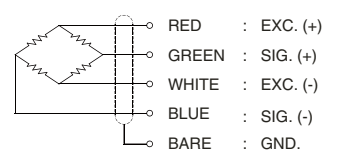


#### ORDERING INFORMATION

##### DBCM - 50

MODEL	CAPACITY
DBCM	2, 3, 5, 10, 20, 30, 50, 100, 200, 300kg

#### WIRING INFORMATION



Dimension-mm

\* Specifications are subject to change without notice

APR, 2019