

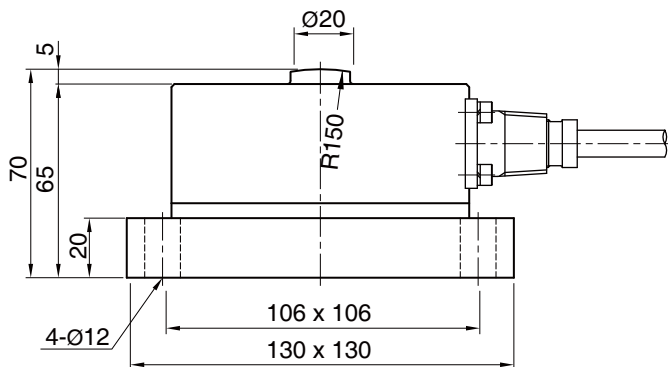
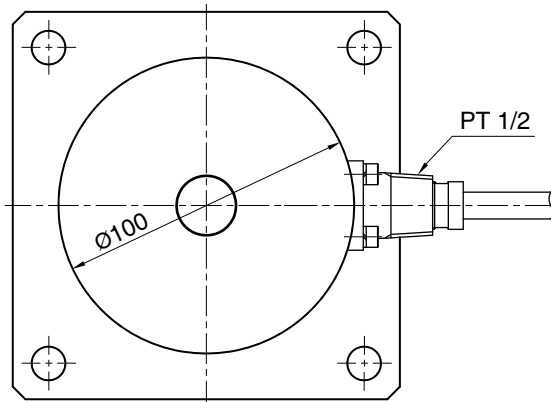
## Model CLWXE Series

Flameproof type  
Compression Load Cell (2 ~ 15t)

- KOSHA Approved (Ex d IIB T4)
- Low profile & Robust design.



2t ~ 15t



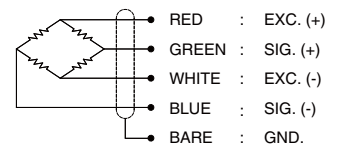
### SPECIFICATIONS

MODEL	CLWXE	
Rated capacity (R.C.)	2, 3, 5, 10, 15 ton	
Rated output (R.O.)	2.0mV/V ± 0.005mV/V	
Non-linearity	≤ 0.05% R.O.	
Hysteresis	≤ 0.05% R.O.	
Non-repeatability	≤ 0.03% R.O.	
Creep error	≤ 0.03% in 20min.	
Zero balance	≤ 1% R.O.	
Compensated temperature range	-10 ~ 70°C	
Operating temperature range	-20 ~ 80°C	
Temp. effect on rated output	≤ 0.03% LOAD/10°C	
Temp. effect on zero balance	≤ 0.03% R.O./10°C	
Terminal input resistance	700 Ohms ± 10 Ohms	
Terminal output resistance	700 Ohms ± 10 Ohms	
Insulation resistance (Min.)	2000 MOhms at 50V DC	
Excitation voltage	3~12V(Recommended), 15V(Max.)	
Electrical connection	Ø7mmx6m(22AWG x 4Core Shielded)	
Protection class	IP 68	
Safe overload	150% R.C	
Ultimate overload	300% R.C	
Safe overload	Body	Stainless steel
	Base	Zn plated steel

### ORDERING INFORMATION

<b>CLWXE</b>	-	<b>5T</b>
MODEL		CAPACITY
CLWXE		2, 3, 5, 10, 15ton

### WIRING INFORMATION



### FLAMEPROOF

Ex d IIB T4 / KOSHA



Flameproof type  
summing box  
(See page 76)

\* Specifications are subject to change without notice

APR, 2018