

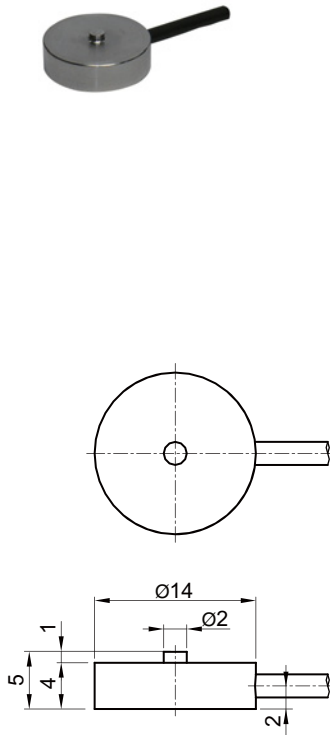
Model CBMS Series

Compression
Sub-Miniature Load Cell(3kg ~ 30kg)

The model CBMS subminiature type is designed for low profile compression service.

SPECIFICATIONS

MODEL	CBMS
Rated capacity (R.C.)	3, 5, 10, 20, 30kg
Rated output(R.O.)	0.7 ~ 1.5mV/V
Non-linearity	≤0.5% R.O.
Hysteresis	≤0.5% R.O.
Non-repeatability	≤0.5% R.O.
Creep error	≤0.5% in 20min.
Zero balance	±0.2mV/V
Compensated temperature range	-10 ~ 70°C
Operating temperature range	-20 ~ 80°C
Temp. effect on rated output	≤0.5% LOAD/10°C
Temp. effect on zero balance	≤0.5% R.O./10°C
Terminal input resistance	350 ohms ± 7 ohms
Terminal output resistance	350 ohms ± 7 ohms
Insulation resistance (Min.)	2000 Mohms at 50V DC
Excitation voltage	3~5V(Recommended), 8V(Max.)
Electrical connection	ø2mmx1.5m (30AWG x 4Core Shielded)
Protection class	meets IP 60
Safe overload	150% R.C
Ultimate overload	300% R.C
Material	17-4PH Stainless steel

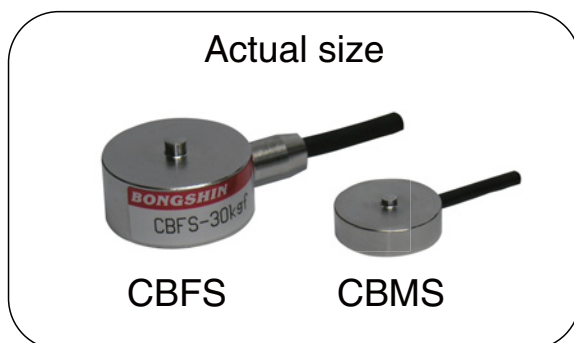
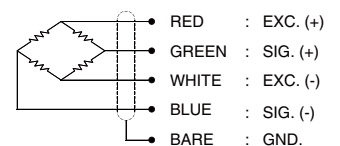


ORDERING INFORMATION

CBMS - 10

MODEL CAPACITY
CBMS 3, 5, 10, 20, 30kg

WIRING INFORMATION



* Specifications are subject to change without notice

APR, 2018