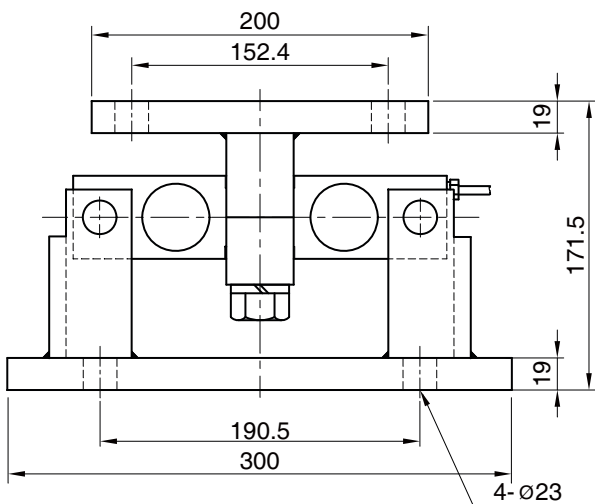
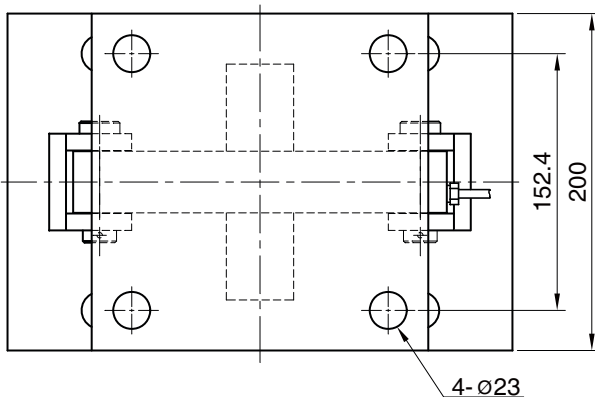
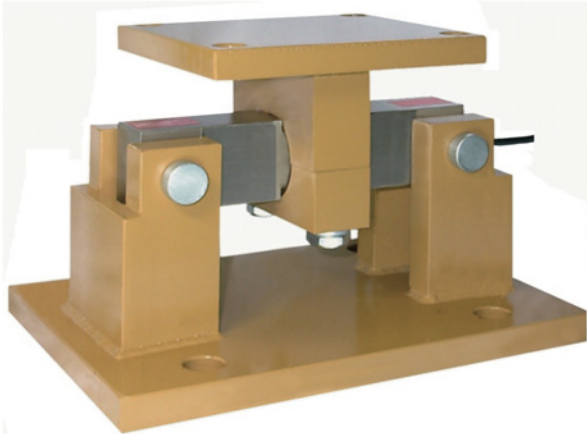


Weigh Module

Model BMD Series

Specially Designed For
Hopper and Tank (5t ~15t)



- Mounts directly to the floor or structural support.
- Self checking with provisions for thermal expansion and contraction.

SPECIFICATIONS

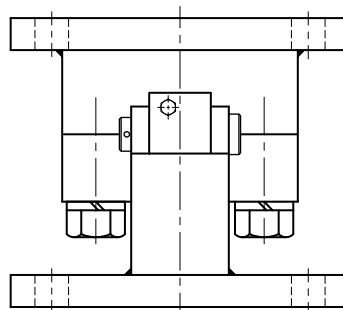
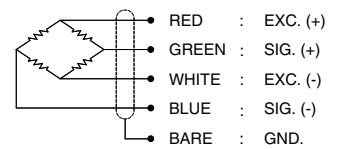
| MODEL | BMD11 |
|-------------------------------|---------------------------------|
| Rated capacity (R.C.) | 5, 10, 15t |
| Rated output(R.O.) | 3.0mV/V ± 0.25% |
| Non-linearity | ≤ 0.03% R.O. |
| Hysteresis | ≤ 0.03% R.O. |
| Non-repeatability | ≤ 0.03% R.O. |
| Creep error | ≤ 0.03% in 20min. |
| Zero balance | ≤ 1% R.O. |
| Compensated temperature range | -10 ~ 70°C |
| Operating temperature range | -20 ~ 80°C |
| Temp. effect on rated output | ≤ 0.02% LOAD/10°C |
| Temp. effect on zero balance | ≤ 0.03% R.O./10°C |
| Terminal input resistance | 700 Ohms ± 10 Ohms |
| Terminal output resistance | 700 Ohms ± 7 Ohms |
| Insulation resistance (Min.) | 2000 MOhms at 50V DC |
| Excitation voltage | 3~12V(Recommended), 15V(Max.) |
| Electrial connection | ∅7mmx6m(22AWG x 4Core Shielded) |
| Protection class | meets IP 67 |
| Safe overload | 150% R.C |
| Ultimate overload | 300% R.C |

ORDERING INFORMATION

BMD11 - **5T**
CAPACITY
5, 10, 15ton

BMD11 : CDBH Load Cell + Painted Steel Mtg Kit

WIRING INFORMATION



* Specifications are subject to change without notice

APR, 2018