

## Model BCH Series

### Compression Load Cell (1t ~ 50t)

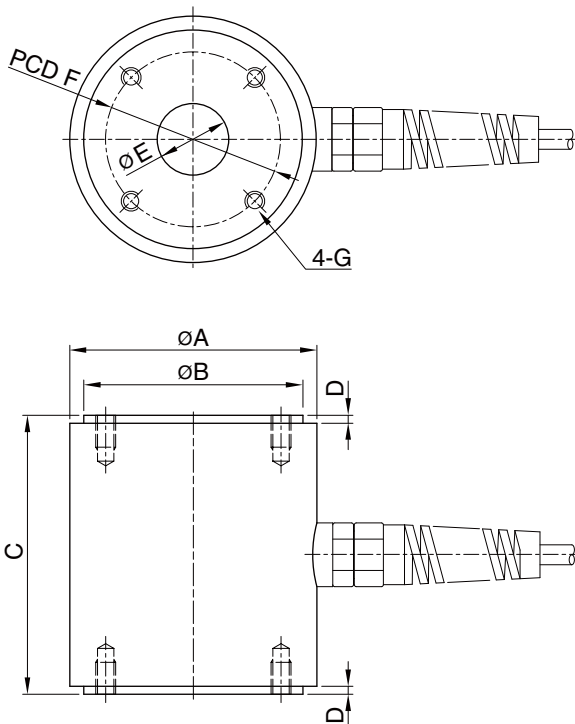


The BCH series is designed for the load control and the monitoring during the power inserting using the press. It is also designed user-friendly; each 4 threaded holes, on top and bottom, with the flange type are very helpful while the installation.

- Robust high capacity design
- High alloy steel construction
- Rated output (1.0mV/V)

### SPECIFICATIONS

MODEL	BCH
Rated capacity (R.C.)	1, 2, 3, 5, 10, 20, 30, 50 t
Rated output(R.O.)	1.0mV/V ± 1.0%
Non-linearity	≤0.5% R.O.
Hysteresis	≤0.5% R.O.
Non-repeatability	≤0.5% R.O.
Creep error	≤0.5% in 20min.
Zero balance	1% R.O.
Compensated temperature range	-10 ~ 70°C
Operating temperature range	-20 ~ 80°C
Temp. effect on rated output	±0.03% LOAD/10°C
Temp. effect on zero balance	±0.03% R.O./10°C
Terminal input resistance	350 Ohms ± 10 Ohms
Terminal output resistance	350 Ohms ± 10 Ohms
Insulation resistance (Min.)	2000 MOhms at 50V DC
Excitation voltage	3~12V(Recommended), 15V(Max.)
Electrical connection	∅7mmx6m(22AWG x 4Core Shielded)
Protection class	meets IP 64
Safe overload	150% R.C
Ultimate overload	300% R.C

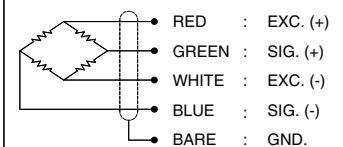


### ORDERING INFORMATION

**BCH - 10T**

MODEL: BCH  
CAPACITY: 1, 2, 3, 5, 10, 20, 30, 50ton

### WIRING INFORMATION



### Dimension-mm

Rated Capacity	A	B	C	D	E	F	G	Weight (kg)
1t ( 9.807 kN )	62	55	70	2	18	44	2x4-M5x0.8P Depth 8	0.95
2t ( 19.61 kN )	62	55	70	2	18	44	2x4-M5x0.8P Depth 8	1.0
3t ( 29.42 kN )	62	55	70	2	18	44	2x4-M5x0.8P Depth 8	1.0
5t ( 49.03 kN )	62	55	70	2	18	44	2x4-M6x1P Depth 8	1.0
10t ( 98.07 kN )	62	55	80	2	18	44	2x4-M6x1P Depth 8	1.3
20t ( 196.1 kN )	88	80	100	2	20	60	2x4-M8x1.25P Depth 12	2.9
30t ( 294.2 kN )	100	90	120	2	20	70	2x4-M8x1.25P Depth 15	4.6
50t ( 490.3 kN )	134	120	150	2	30	90	2x4-M10x1.5P Depth 16	11

\* Specifications are subject to change without notice

APR, 2018