

Model WLFN2 Series

Specially designed for protecting cranes from overload and for measuring the tension of wireropes.(500kg ~ 10t/Rope)

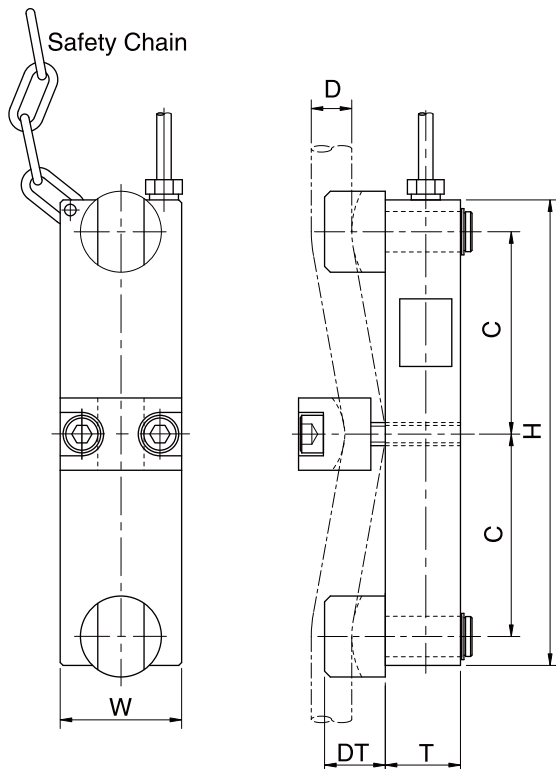


In many industrial applications the tension in wire rope needs to be carefully and continuously monitored.

usually all load cells placed in series with the rope, either at a point along its length or more commonly between the end of the rope and the fixture. the problem is that such a load cell is best suited to new application where it is designed in at an early stage

SPECIFICATIONS

| MODEL | WLFN2 |
|-------------------------------|--------------------------------------|
| Rated capacity (R.C.) | 500kg, 1, 1.5, 2.5, 4, 8, 10t / Rope |
| Rated output(R.O.) | Approx. 1.0mV/V |
| Non-linearity | ≤1.0% R.O. |
| Hysteresis | ≤1.0% R.O. |
| Non-repeatability | ≤1.0% R.O. |
| Creep error | ≤1.0% in 20min. |
| Zero balance | ≤1% R.O. |
| Compensated temperature range | -10 ~ 70°C |
| Operating temperature range | -20 ~ 80°C |
| Temp. effect on rated output | ≤0.05% LOAD/10°C |
| Temp. effect on zero balance | ≤0.05% R.O./10°C |
| Terminal input resistance | 400 Ohms ± 10 Ohms |
| output resistance | 350 Ohms ± 5 Ohms |
| Insulation resistance (Min.) | 2000 MOhms at 50V DC |
| Recommended excitation | 3~12V(Recommended), 15V(Max.) |
| Electrical connection | ∅7mmx6m(22AWG x 4Core Shielded) |
| Protection class | meets IP 64 |
| Safe overload | 200% R.C |
| Ultimate overload | 400% R.C |



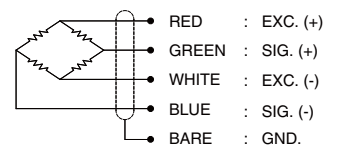
ORDERING INFORMATION

WLFN2 - 10T

MODEL
WLFN2

CAPACITY
500kg, 1, 1.5, 2.5,
4, 8, 10ton / Rope

WIRING INFORMATION



Dimension-mm

| Rated Capacity | C | DT | H | T | W | ∅D Wire rope | Weight (kg) |
|----------------|-----|------|-----|----|----|---------------|-------------|
| 0.5t, 1t | 60 | 15.5 | 145 | 20 | 34 | ∅ 6 ~ ∅ 8 | 1.6 |
| 1.5t | 70 | 21 | 167 | 22 | 42 | ∅ 10 ~ ∅ 14 | 2.1 |
| 2.5t | 75 | 27 | 180 | 22 | 48 | ∅ 14 ~ ∅ 20 | 2.6 |
| 4t | 90 | 35 | 215 | 25 | 62 | ∅ 18 ~ ∅ 28 | 3.7 |
| 8t, 10t | 100 | 45 | 250 | 35 | 80 | ∅ 25 ~ ∅ 35.5 | 7.0 |

Rated Capacity : Max. Load per wire rope

* Specifications are subject to change without notice

APR, 2018